



US00D902832S

(12) **United States Design Patent** (10) **Patent No.:** **US D902,832 S**  
**Anderson et al.** (45) **Date of Patent:** **\*\* Nov. 24, 2020**

(54) **CANOPY**  
(71) Applicant: **Caterpillar Paving Products Inc.**,  
Brooklyn Park, MN (US)

D852,725 S \* 7/2019 Feng ..... D12/401  
D859,281 S \* 9/2019 McDonald, II ..... D12/401  
D863,197 S \* 10/2019 Gordon ..... D12/401

(Continued)

(72) Inventors: **Bradley Anderson**, Rogers, MN (US);  
**Michael S. Henry**, Maple Grove, MN  
(US)

FOREIGN PATENT DOCUMENTS

CN 201961386 U 9/2011  
CN 205292808 U 6/2016

(Continued)

(73) Assignee: **Caterpillar Inc.**, Peoria, IL (US)

OTHER PUBLICATIONS

(\*\*) Term: **15 Years**

Caterpillar Inc., "Asphalt Pavers AP555F", [http://www.cat.com/en\\_ZA/products/new/equipment/asphalt-pavers/track-asphalt-pavers/1000012261.html](http://www.cat.com/en_ZA/products/new/equipment/asphalt-pavers/track-asphalt-pavers/1000012261.html), available as early as Jan. 15, 2019.

(Continued)

(21) Appl. No.: **29/684,357**

(22) Filed: **Mar. 20, 2019**

(51) **LOC (12) Cl.** ..... **12-16**

(52) **U.S. Cl.**  
USPC ..... **D12/401**

(58) **Field of Classification Search**  
USPC ..... D12/401-405; D6/610, 611, 596,  
D6/601-603, 615, 617, 621; D7/332,  
D7/334-337  
CPC ..... B65D 85/68; B65D 31/16; B65D 33/02;  
B60R 5/04; B60R 5/045; B60P 7/04

See application file for complete search history.

*Primary Examiner* — Katrina A Betton

(74) *Attorney, Agent, or Firm* — Saidman Design Law Group

(57) **CLAIM**

The ornamental design for a canopy, as shown and described.

**DESCRIPTION**

FIG. 1 is a top perspective view of a canopy showing our new design;

FIG. 2 is a bottom perspective view thereof;

FIG. 3 is a front view thereof;

FIG. 4 is a rear view thereof;

FIG. 5 is a left side view thereof;

FIG. 6 is a right side view thereof;

FIG. 7 is a top view thereof; and,

FIG. 8 is a bottom view thereof.

The broken lines illustrate structure or features which form no part of the claimed design.

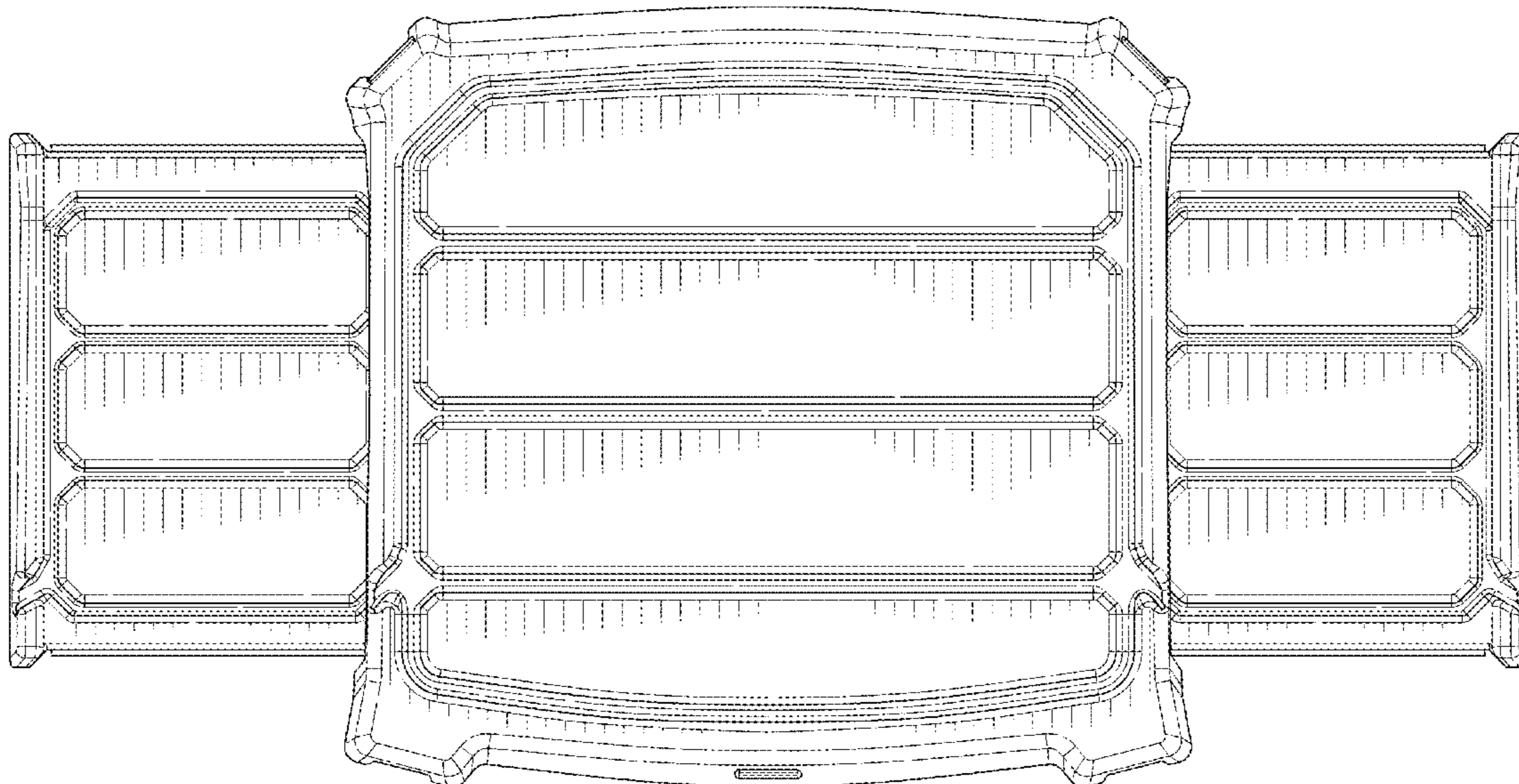
The drawings include surface shading which illustrates contour and not surface ornamentation.

**1 Claim, 6 Drawing Sheets**

(56) **References Cited**

U.S. PATENT DOCUMENTS

D444,762 S \* 7/2001 Werle ..... D12/401  
D687,760 S \* 8/2013 Gros ..... D12/401  
8,950,803 B2 2/2015 Herzberg et al.  
D742,935 S 11/2015 Ewringmann  
D755,254 S 5/2016 Ewringmann  
D755,255 S 5/2016 Ewringmann  
D769,334 S 10/2016 Ewringmann  
D773,535 S 12/2016 Ewringmann  
D799,387 S \* 10/2017 Malina ..... D12/167  
D829,634 S \* 10/2018 Chapman ..... D12/401  
D832,185 S \* 10/2018 McIntire ..... D12/401  
D847,078 S \* 4/2019 Rolfs ..... D12/401



(56)

**References Cited**

U.S. PATENT DOCUMENTS

D865,641 S \* 11/2019 Austin ..... D12/401  
D887,952 S \* 6/2020 Cho ..... D12/401

FOREIGN PATENT DOCUMENTS

EP 3115238 A1 1/2017  
WO WO 2016/014034 A1 1/2016

OTHER PUBLICATIONS

Caterpillar Inc., "Asphalt Pavers AP655FL", <[https://www.cat.com/en\\_ZA/products/new/equipment/asphalt-pavers/track-asphalt-pavers/89679634742.html](https://www.cat.com/en_ZA/products/new/equipment/asphalt-pavers/track-asphalt-pavers/89679634742.html)>, available as early as Jan. 15, 2019.

Caterpillar Inc., "Asphalt Pavers AP500F", <[https://www.cat.com/en\\_ZA/products/new/equipment/asphalt-pavers/wheel-asphalt-pavers/1000012260.html](https://www.cat.com/en_ZA/products/new/equipment/asphalt-pavers/wheel-asphalt-pavers/1000012260.html)>, available as early as Jan. 15, 2019.

Vögele, "Super 2100-3i", <<https://www.voegele.info/en-us/range-of-products/super-series/highway-class/super-2100-3i/photo-gallery.php#!imperial>>, available as early as Jan. 15, 2019.

Vögele, "Super 1700-3i", <<https://www.voegele.info/en-us/range-of-products/super-series/universal-class/super-1700-3i/photo-gallery.php#!imperial>>, available as early as Jan. 15, 2019.

Vögele "Special Class MT 3000=2i Offset Powerfeeder", <[https://media.voegele.info/media/03\\_voegele/produkte/broschueren/04\\_spezialger\\_te/power\\_feeder\\_1/mt\\_3000-2i\\_offset\\_us\\_1/MT3000-2iOffset\\_US\\_2506227\\_0116\\_mPW\\_Lay2016.pdf](https://media.voegele.info/media/03_voegele/produkte/broschueren/04_spezialger_te/power_feeder_1/mt_3000-2i_offset_us_1/MT3000-2iOffset_US_2506227_0116_mPW_Lay2016.pdf)>, available as early as Jan. 15, 2019.

\* cited by examiner

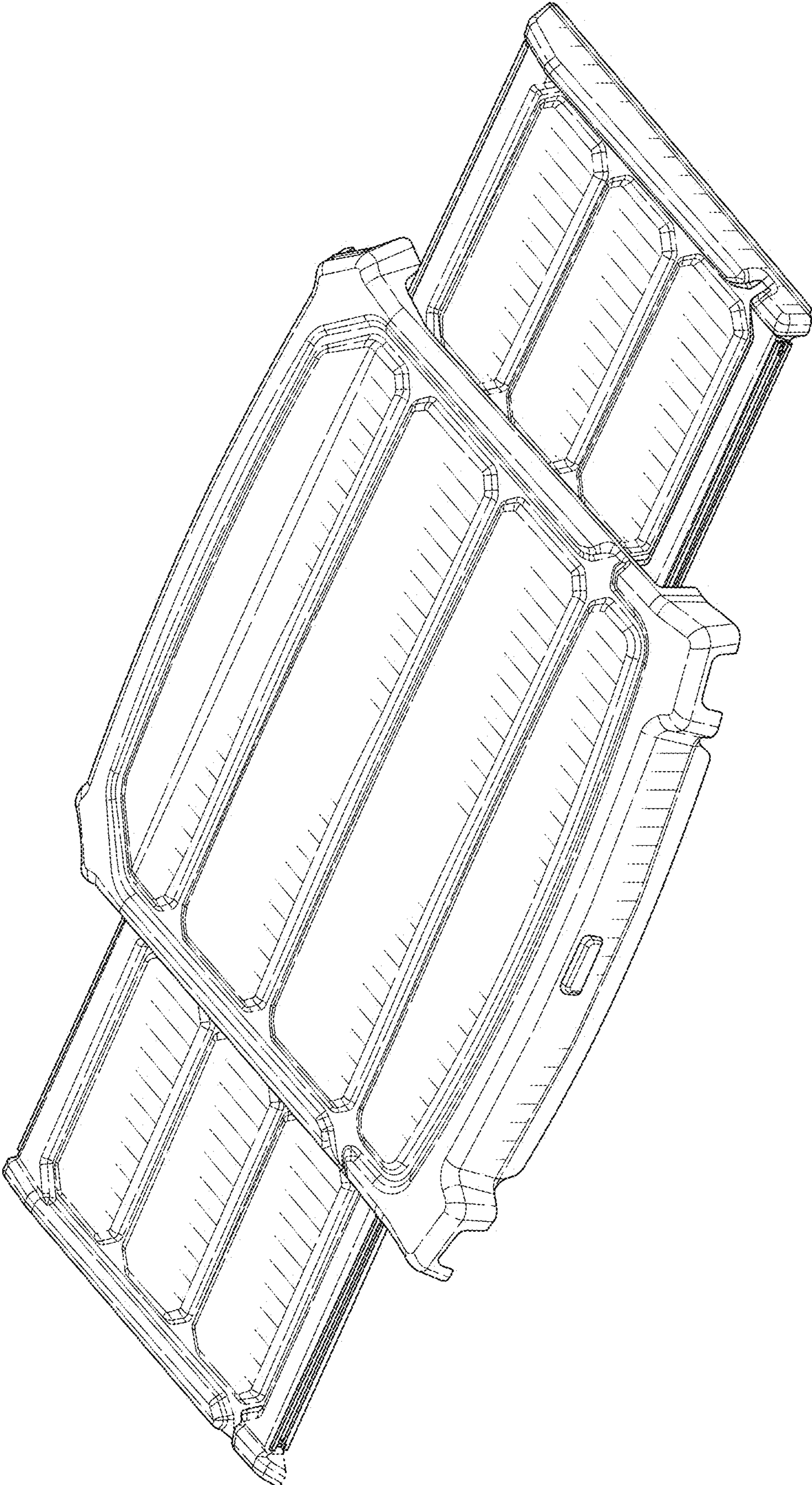


FIG. 1

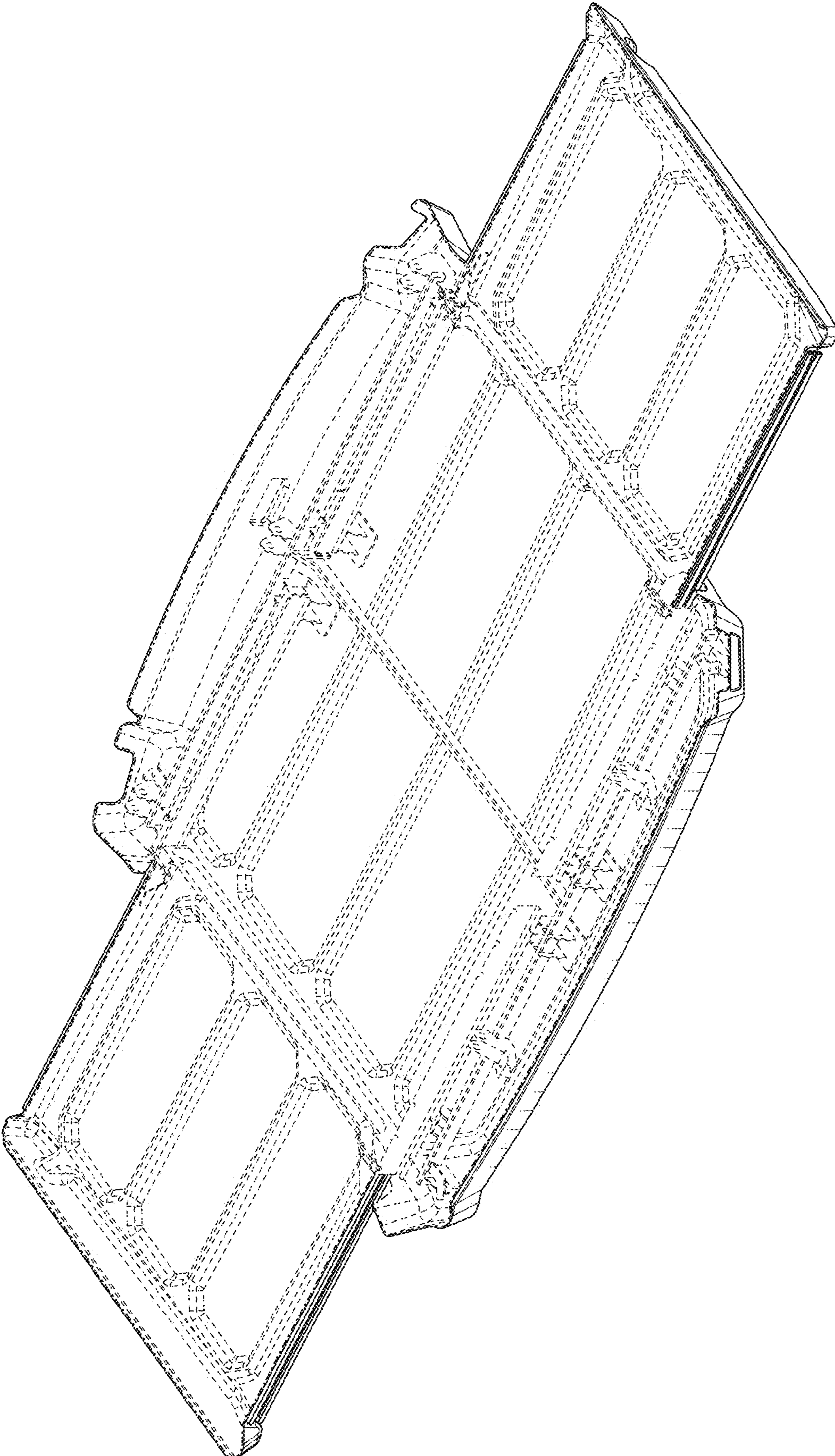


FIG. 2

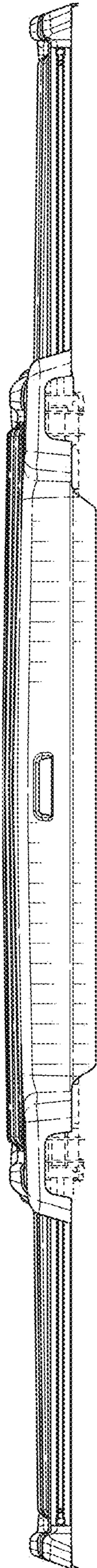


FIG. 3

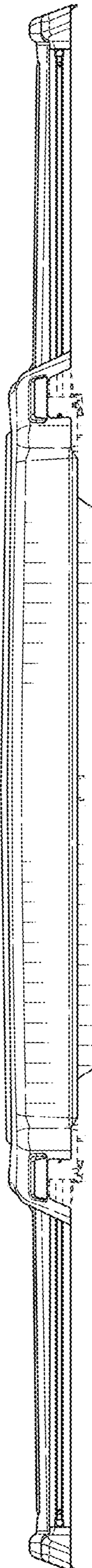


FIG. 4

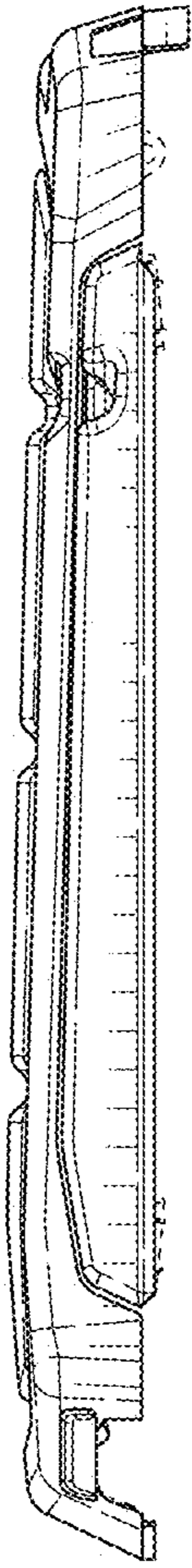


FIG. 5

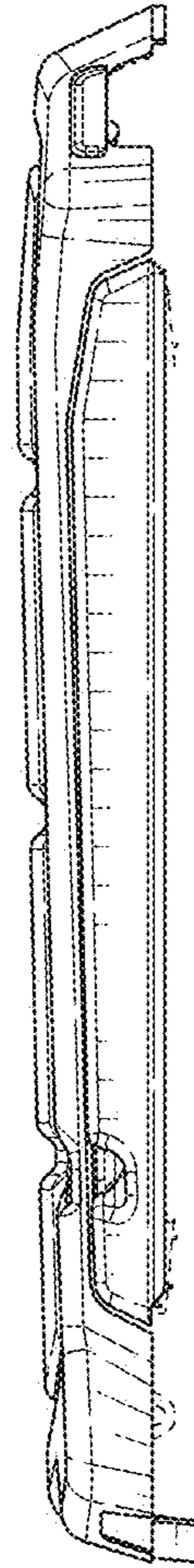


FIG. 6

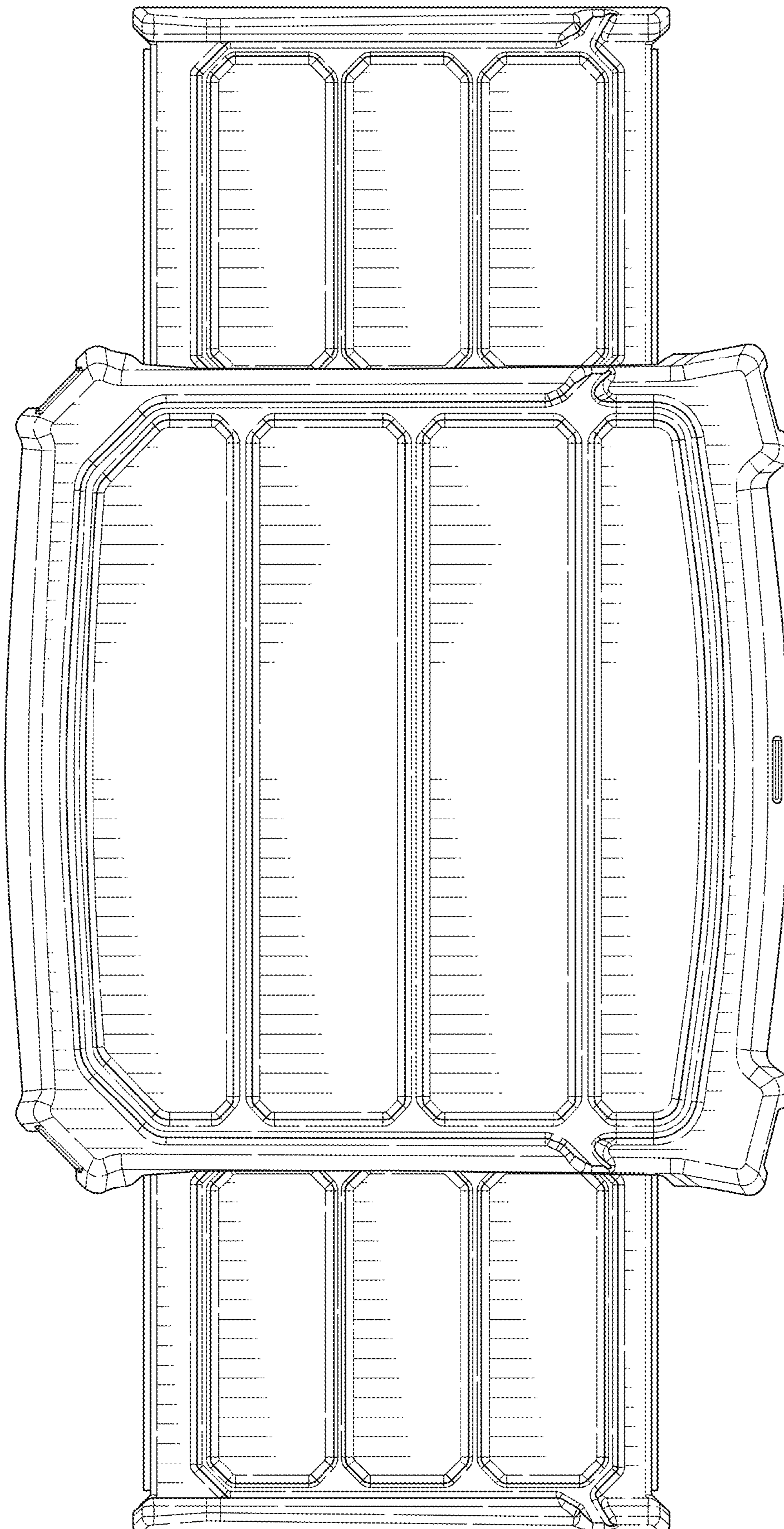


FIG. 7

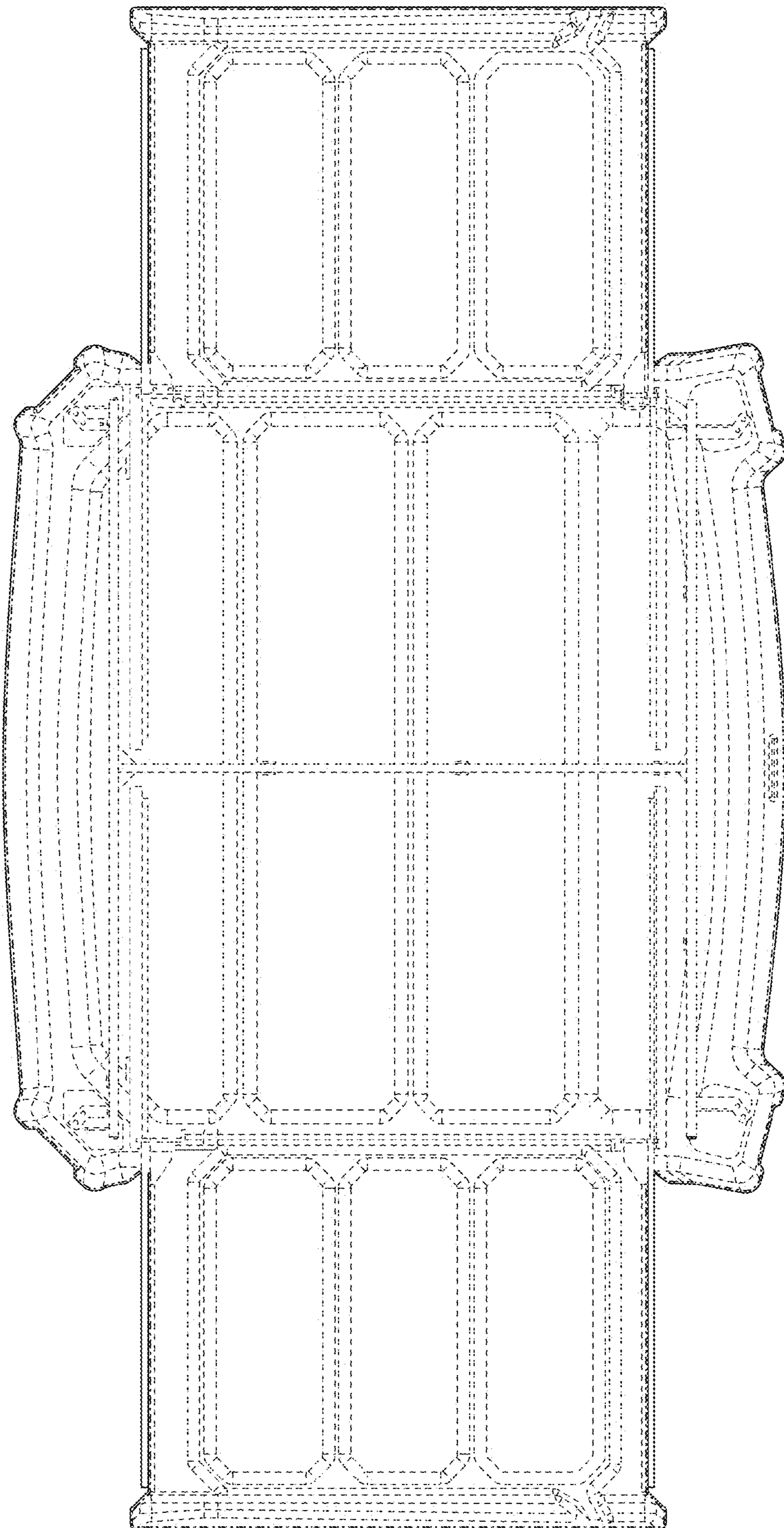


FIG. 8