



US00D902830S

(12) **United States Design Patent**  
**Savian et al.**

(10) **Patent No.:** **US D902,830 S**

(45) **Date of Patent:** **\*\* Nov. 24, 2020**

(54) **PIVOT BIN**

(71) Applicant: **C&D ZODIAC, INC.**, Huntington Beach, CA (US)

(72) Inventors: **Scott Savian**, Huntington Beach, CA (US); **Ian Geoffrey Scoley**, Huntington Beach, CA (US); **Chris Schutterra**, Huntington Beach, CA (US)

(73) Assignee: **C&D ZODIAC, INC.**, Huntington Beach, CA (US)

(\*\*) Term: **15 Years**

(21) Appl. No.: **29/623,786**

(22) Filed: **Oct. 26, 2017**

(51) **LOC (12) Cl.** ..... **12-07**

(52) **U.S. Cl.**  
USPC ..... **D12/345**

(58) **Field of Classification Search**  
USPC ..... D12/345, 400, 423, 426, 203, 221, 223, D12/98, 99, 406, 424, 414.1, 319, D12/415-419, 96, 195, 191, 106; 220/1.5, 4.28, 4.33, 4.34; D3/273, 295, D3/319; 244/117 R, 118.1, 118.5, 118.6, 244/119, 137.1, 311, 539, 281, 275; 296/37.1-37.8, 70, 24.1, 24.2, 24.3, 296/137.1, 97.1, 97.2, 97.4, 97.5, 97.6, 296/97.7, 97.8, 180, 1; 312/266, 325, 312/246; 446/7; 160/370.21, 370.23, 160/370.22; 248/278.1, 274.1, 284.1; D9/423  
CPC ..... B64D 9/00; B64D 11/003; Y02T 50/46; B60R 5/003  
See application file for complete search history.

(56) **References Cited**

**U.S. PATENT DOCUMENTS**

D256,229 S \* 8/1980 Nichols ..... D12/418  
5,988,565 A \* 11/1999 Thomas ..... B64D 11/003  
244/118.1

D457,480 S \* 5/2002 Natsume ..... D12/345  
6,802,478 B2 \* 10/2004 Katori ..... B64D 11/003  
244/118.1  
D533,129 S \* 12/2006 Guard ..... D12/345  
7,234,666 B2 \* 6/2007 Novak ..... B64D 11/003  
244/118.5  
D589,871 S \* 4/2009 Bock ..... D12/345  
D597,473 S \* 8/2009 Schuephaus ..... D12/345  
D610,521 S \* 2/2010 Pirie ..... D12/345

(Continued)

**OTHER PUBLICATIONS**

ECOS luggage compartment, Safran-Cabin.com, Date: Apr. 29, 2016, [online], [site visited Apr. 22, 2020]. <URL: https://www.safran-cabin.com/image/1144> (Year: 2016).\*

(Continued)

*Primary Examiner* — T Chase Nelson  
*Assistant Examiner* — Jonathan J. Han  
(74) *Attorney, Agent, or Firm* — Jeffer Mangels Butler & Mitchell LLP; Brennan C. Swain, Esq.

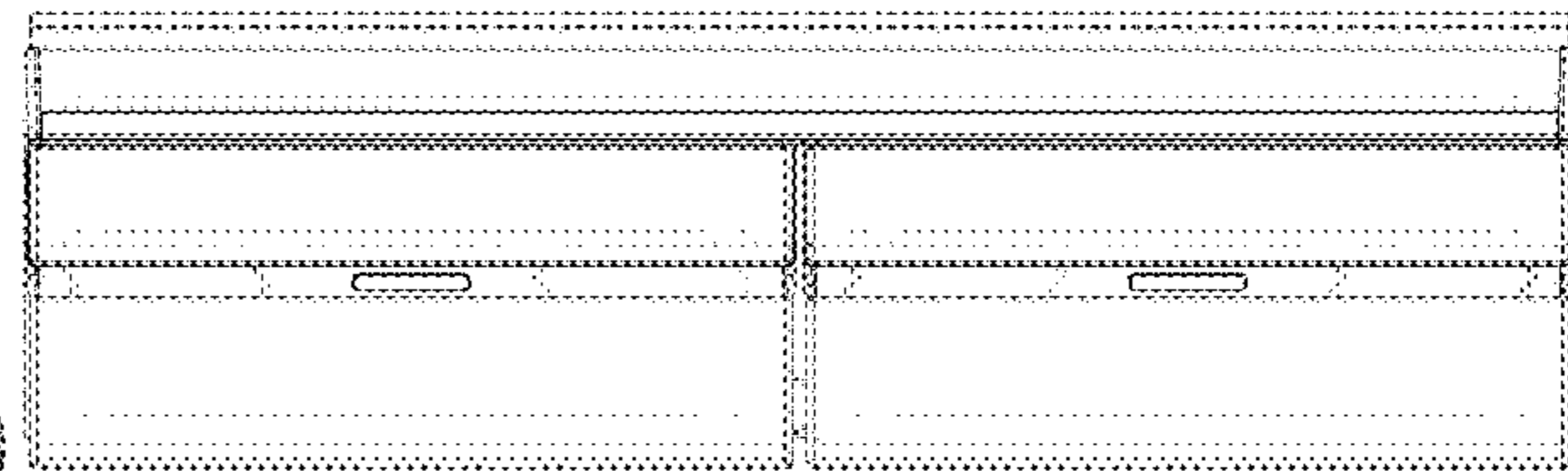
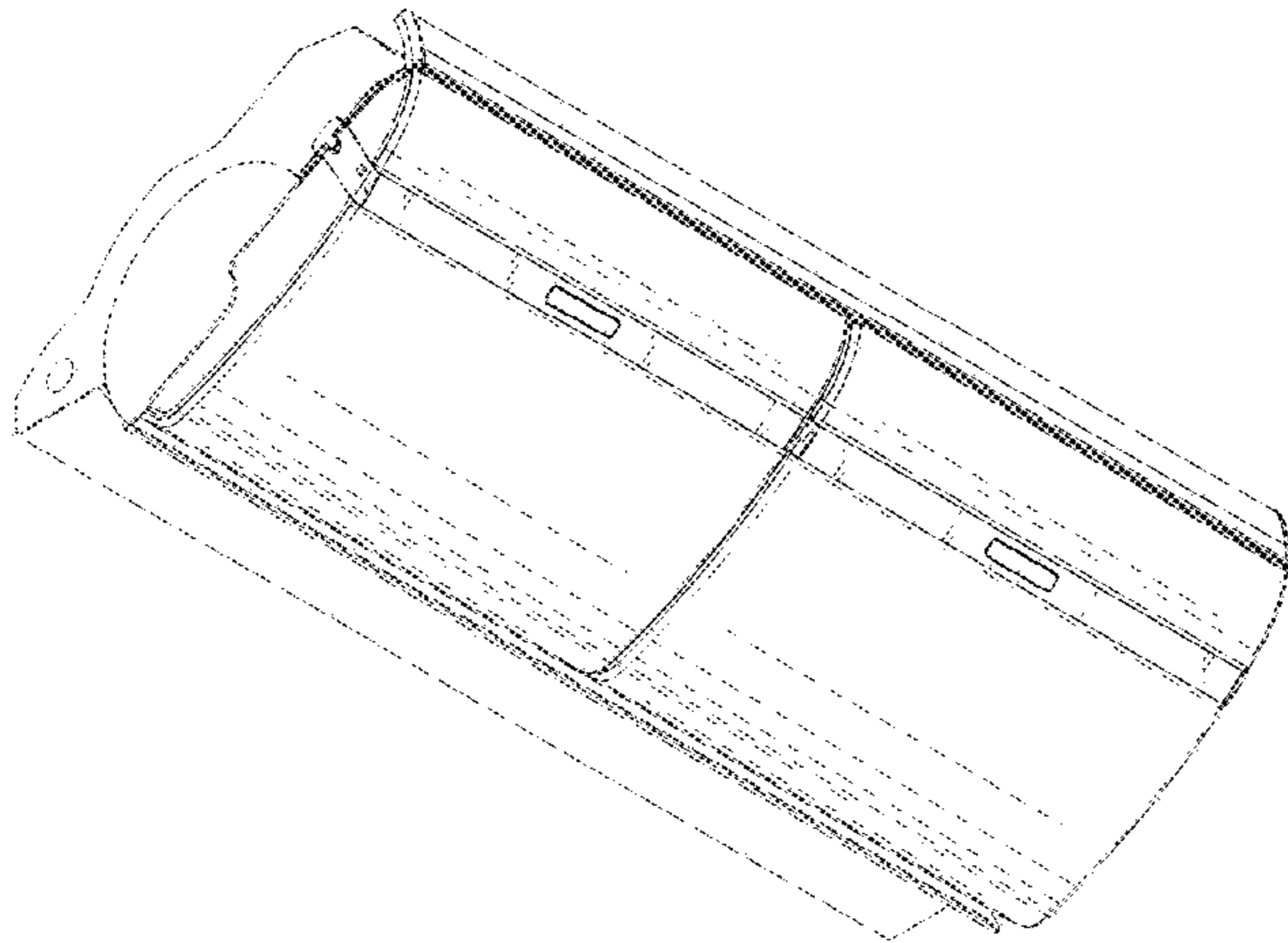
(57) **CLAIM**

The ornamental design for a pivot bin, as shown and described.

**DESCRIPTION**

FIG. 1 is a bottom perspective view of a pivot bin showing our present invention;  
FIG. 2 is a front elevational view of the present invention shown in FIG. 1;  
FIG. 3 is a rear elevational view of the present invention shown in FIG. 1;  
FIG. 4 is a left side elevational view of the present invention shown in FIG. 1, the right side elevational view being a mirror image thereof; and,  
FIG. 5 is a bottom plan view of the present invention shown in FIG. 1.

**1 Claim, 5 Drawing Sheets**



(56)

References Cited

U.S. PATENT DOCUMENTS

7,832,685 B2 \* 11/2010 Haynes ..... B64D 11/003  
 244/118.1  
 D680,944 S \* 4/2013 Aruga ..... D12/418  
 D714,210 S \* 9/2014 Burrows ..... D12/345  
 9,090,351 B1 \* 7/2015 Frazier ..... B64D 11/003  
 D746,759 S \* 1/2016 Kammerer ..... D12/345  
 D784,905 S \* 4/2017 Savian ..... D12/345  
 D791,679 S \* 7/2017 Kammerer ..... D12/345  
 9,856,022 B2 \* 1/2018 Schmitz ..... B64D 11/003  
 9,869,574 B2 \* 1/2018 Nicks ..... G01B 21/20  
 10,106,258 B2 \* 10/2018 Kammerer ..... B64D 11/003  
 D873,204 S \* 1/2020 Von Holzhausen ..... D12/415  
 10,562,632 B2 \* 2/2020 Savian ..... B64D 11/003  
 2006/0151668 A1 \* 7/2006 Scown ..... B64D 11/003  
 244/118.1  
 2007/0084966 A1 \* 4/2007 Haynes ..... B64D 11/003  
 244/118.1  
 2008/0251640 A1 \* 10/2008 Johnson ..... B64D 11/003  
 244/118.1  
 2011/0062284 A1 \* 3/2011 Schmitz ..... B64D 11/003  
 244/118.5  
 2011/0253837 A1 \* 10/2011 Lee ..... B64D 11/003  
 244/118.5

2013/0257246 A1 \* 10/2013 Graf ..... B64D 11/003  
 312/319.2  
 2018/0050801 A1 \* 2/2018 Savian ..... E04B 2/60  
 2019/0017308 A1 \* 1/2019 Chadwell ..... B64D 11/003  
 2019/0325538 A1 \* 10/2019 Savian ..... G06Q 20/10

OTHER PUBLICATIONS

Airbus vs Boeing Space bin—who wins?, EconomyClass AndBeyond.  
 BoardingArea.com, Jul. 4, 2016 by Kevincm, [online], [site visited  
 Apr. 22, 2020]. <URL: <https://economyclassandbeyond.boardingarea.com/2016/04/07/airbus-vs-boeing-space-bin-who-wins/>> (Year: 2016).\*

United Airlines will begin charging to use overhead bins in 2017,  
 DenverPost.com, Published: Dec. 6, 2016 at 3:18 p.m., By Samantha  
 Schmidt, The Washington Post, [online], [site visited Apr. 22,  
 2020]. <URL: <https://www.denverpost.com/2016/12/06/united-airlines-charging-to-use-overhead-bins/>> (Year: 2016).\*

Review: Qatar Airways A350-900 Business Class (Non0Qsuite  
 Overnight Flight), TravelingFormalities.com, By Ziggy Feb. 4,  
 2019, [online], [site visited Apr. 22, 2020]. <URL: <https://travelingformiles.com/review-qatar-airways-a350-900-business-class-non-qsuite-overnight-flight/>> (Year: 2019).\*

\* cited by examiner

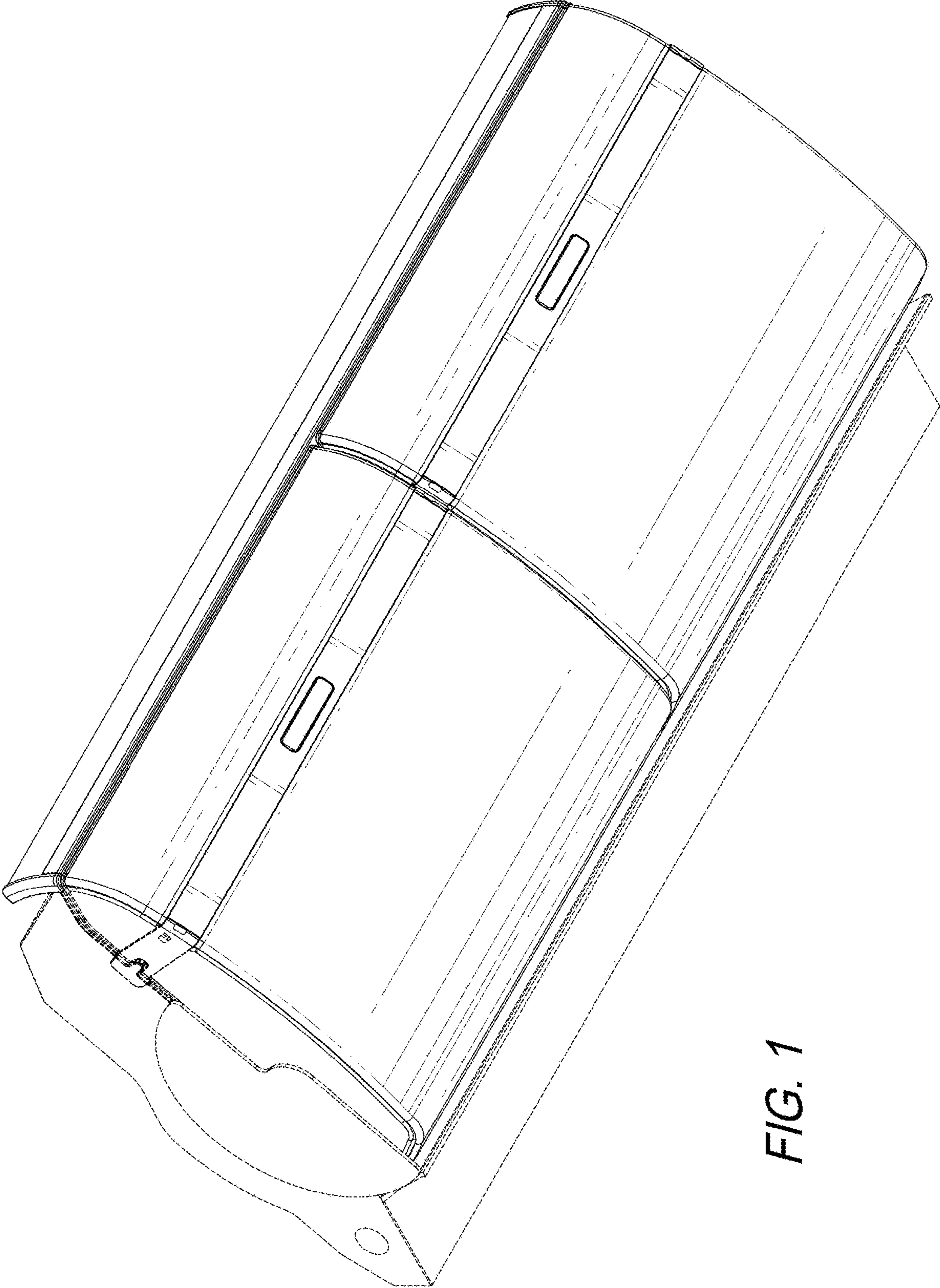


FIG. 1

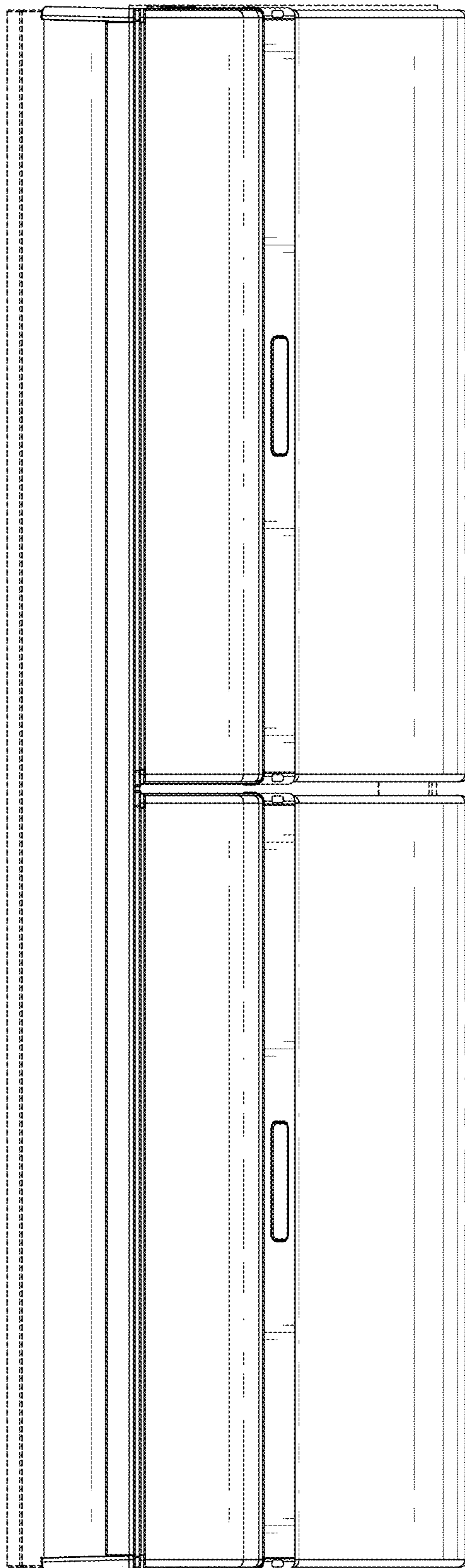


FIG. 2

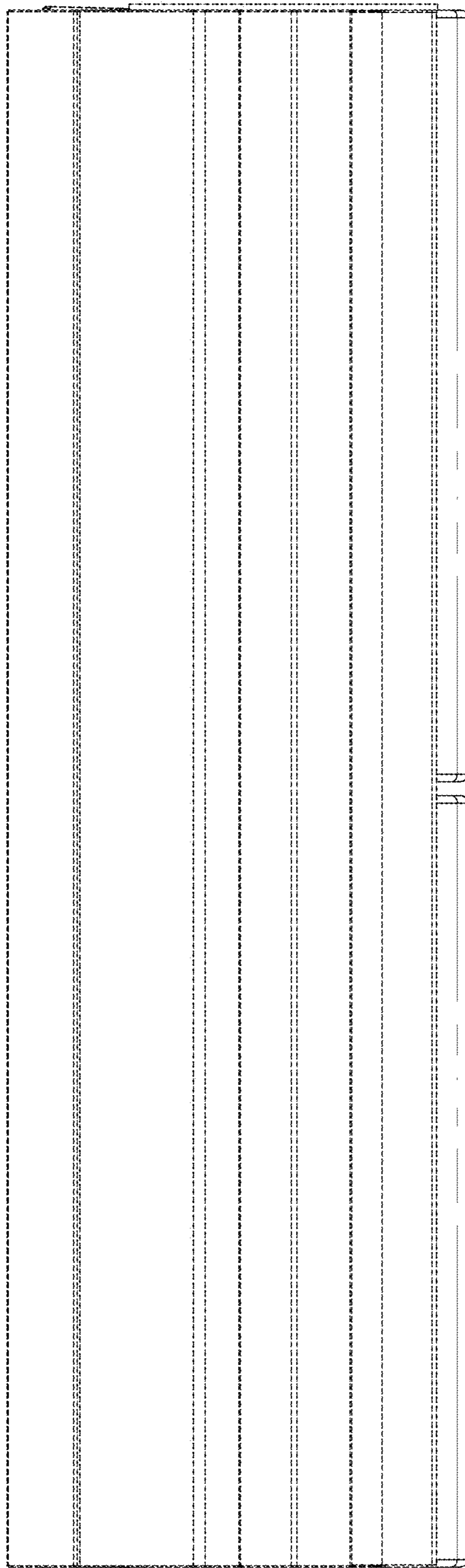


FIG. 3

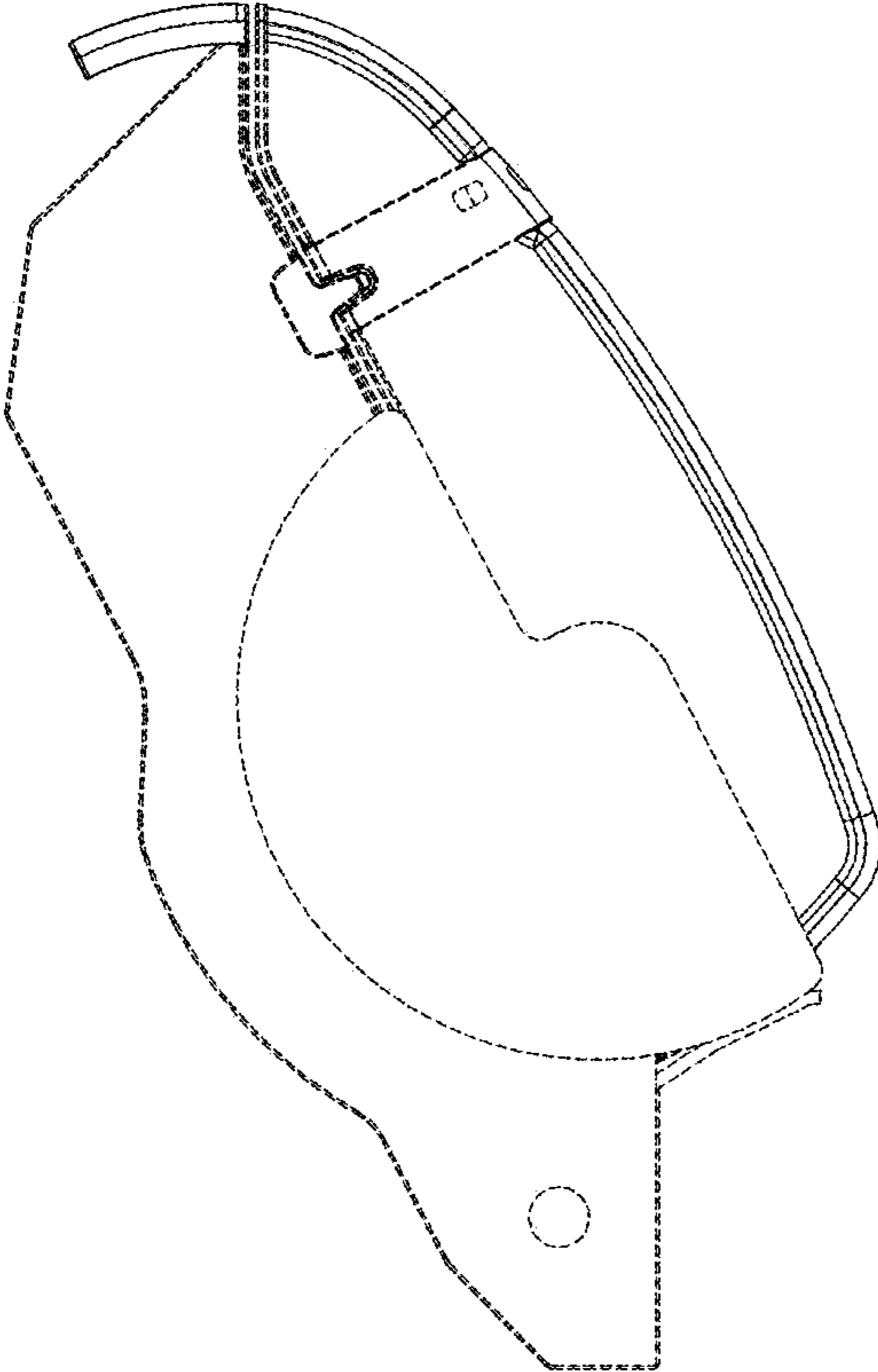


FIG. 4

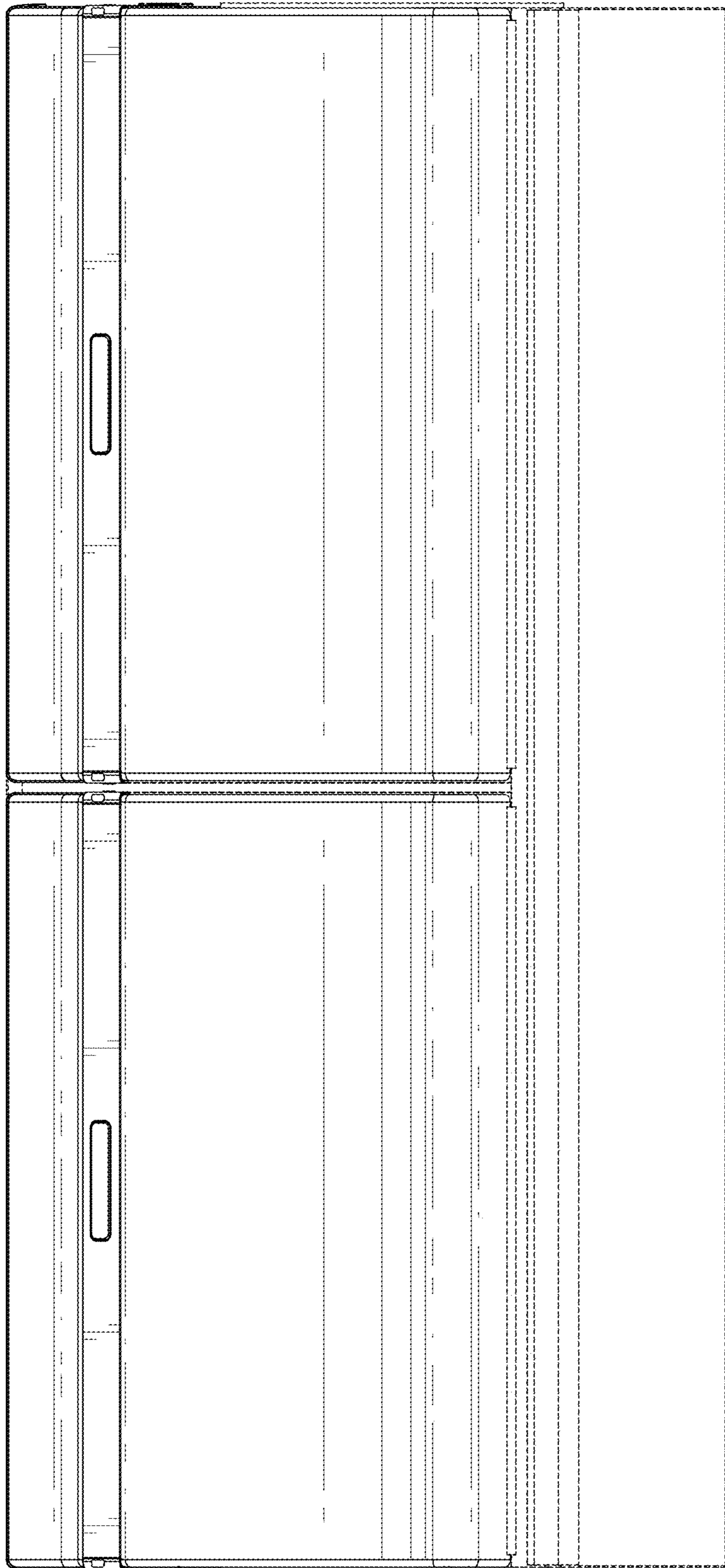


FIG. 5