



US00D902829S

(12) **United States Design Patent**
Cummings

(10) **Patent No.:** **US D902,829 S**

(45) **Date of Patent:** **** Nov. 24, 2020**

(54) **AIRCRAFT**

(71) Applicant: **Darold B Cummings**, Coeur D'Alene, ID (US)

(72) Inventor: **Darold B Cummings**, Coeur D'Alene, ID (US)

(**) Term: **15 Years**

(21) Appl. No.: **29/698,143**

(22) Filed: **Jul. 15, 2019**

(51) **LOC (12) Cl.** **12-07**

(52) **U.S. Cl.**
USPC **D12/343**

(58) **Field of Classification Search**
USPC D12/1-4, 16.1, 319-345; D21/301, 436, D21/441, 442, 443, 444, 447, 448, 449, D21/450, 451, 452, 453, 454, 455
CPC B64C 39/024; B64C 2201/108; B64C 2201/141; B64C 2201/024
See application file for complete search history.

(56) **References Cited**

U.S. PATENT DOCUMENTS

D206,035 S *	10/1966	Steiner	D12/340
D206,298 S *	11/1966	Rellis	D12/337
D232,426 S *	8/1974	Szienkier	D12/330
D258,647 S *	3/1981	Brown, Jr.	D12/337
D258,648 S *	3/1981	Martin	D12/337
5,072,893 A *	12/1991	Chakravarty	G05D 1/0825 244/194
D358,577 S *	5/1995	Sutter	D12/337
D426,804 S *	6/2000	Birrenbach	D12/319
D495,653 S *	9/2004	Eatkins	D12/319
D500,281 S *	12/2004	Aruga	D12/319
6,851,650 B2 *	2/2005	Sankrithi	B64C 39/04 244/119
D504,862 S *	5/2005	Seidel	D12/319
D515,012 S *	2/2006	Eatkins	D12/319

D515,013 S *	2/2006	Eatkins	D12/319
D516,995 S *	3/2006	Eatkins	D12/319
D517,467 S *	3/2006	Vigneron	D12/319
D529,857 S *	10/2006	Eakins	D12/319
D530,658 S *	10/2006	Vigneron	D12/319
D531,954 S *	11/2006	Eakins	D12/319
D537,029 S *	2/2007	Eakins	D12/319
D541,207 S *	4/2007	Seidel	D12/343
D566,031 S *	4/2008	Beaunis	D12/319
D569,783 S *	5/2008	Beaunis	D12/345
D576,938 S *	9/2008	Moon	D12/343
D589,867 S *	4/2009	Chesne	D12/343
D589,868 S *	4/2009	Matharan	D12/343
D598,361 S *	8/2009	Beaunis	D12/343
D608,720 S *	1/2010	Saint-Jalmes	B64D 27/14 D12/319
D612,792 S *	3/2010	Guering	D12/343
D617,724 S *	6/2010	Saint-Jalmes	D12/343
D619,076 S *	7/2010	Guering	D12/343
D624,480 S *	9/2010	Guering	D12/343

(Continued)

Primary Examiner — Marissa J Cash

(74) *Attorney, Agent, or Firm* — Morland C. Fischer

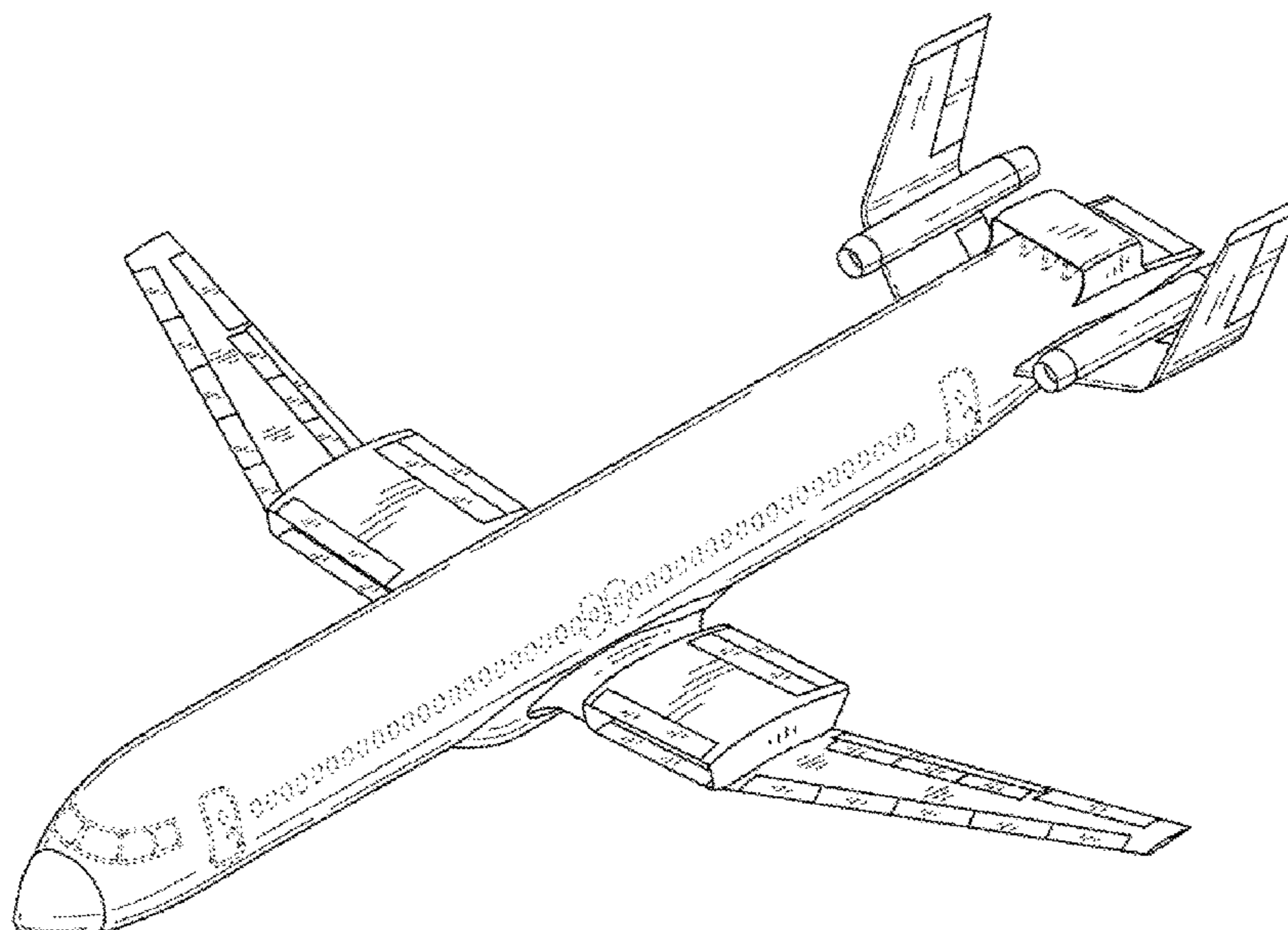
(57) **CLAIM**

The ornamental design for an aircraft, as shown and described.

DESCRIPTION

FIG. 1 is a perspective view showing the top, left side and front of an aircraft which forms my new design; FIG. 2 is a top plan view thereof; FIG. 3 is a left side elevational view thereof; FIG. 4 is a right side elevational view thereof; FIG. 5 is a bottom plan view thereof; FIG. 6 is a front elevational view thereof; and, FIG. 7 is a rear elevational view thereof. The broken line portions of the figure drawings are included to show environment that forms no part of the claimed design.

1 Claim, 4 Drawing Sheets



(56)

References Cited

U.S. PATENT DOCUMENTS

D630,996	S *	1/2011	Gall	D12/319
8,074,924	B2 *	12/2011	Cros	B64D 27/20 244/55
D691,547	S *	10/2013	Hall	D12/319
D702,622	S *	4/2014	Klimov	D12/319
D732,458	S *	6/2015	Dutertre	D12/319
D755,702	S *	5/2016	Hall	D12/343
D760,637	S *	7/2016	Cummings	D12/343
D797,641	S *	9/2017	Cummings	D12/343
D809,993	S *	2/2018	Tsukii	D12/343
9,910,445	B2 *	3/2018	Luo	B64D 43/02
D829,633	S *	10/2018	Cummings	D12/337
D852,721	S *	7/2019	Cummings	D12/343
2008/0073459	A1 *	3/2008	Cazals	B64D 27/20 244/13
2012/0138736	A1 *	6/2012	Cazals	B64C 1/26 244/54
2012/0160968	A1 *	6/2012	Barmichev	B64D 11/00 244/45 R

* cited by examiner

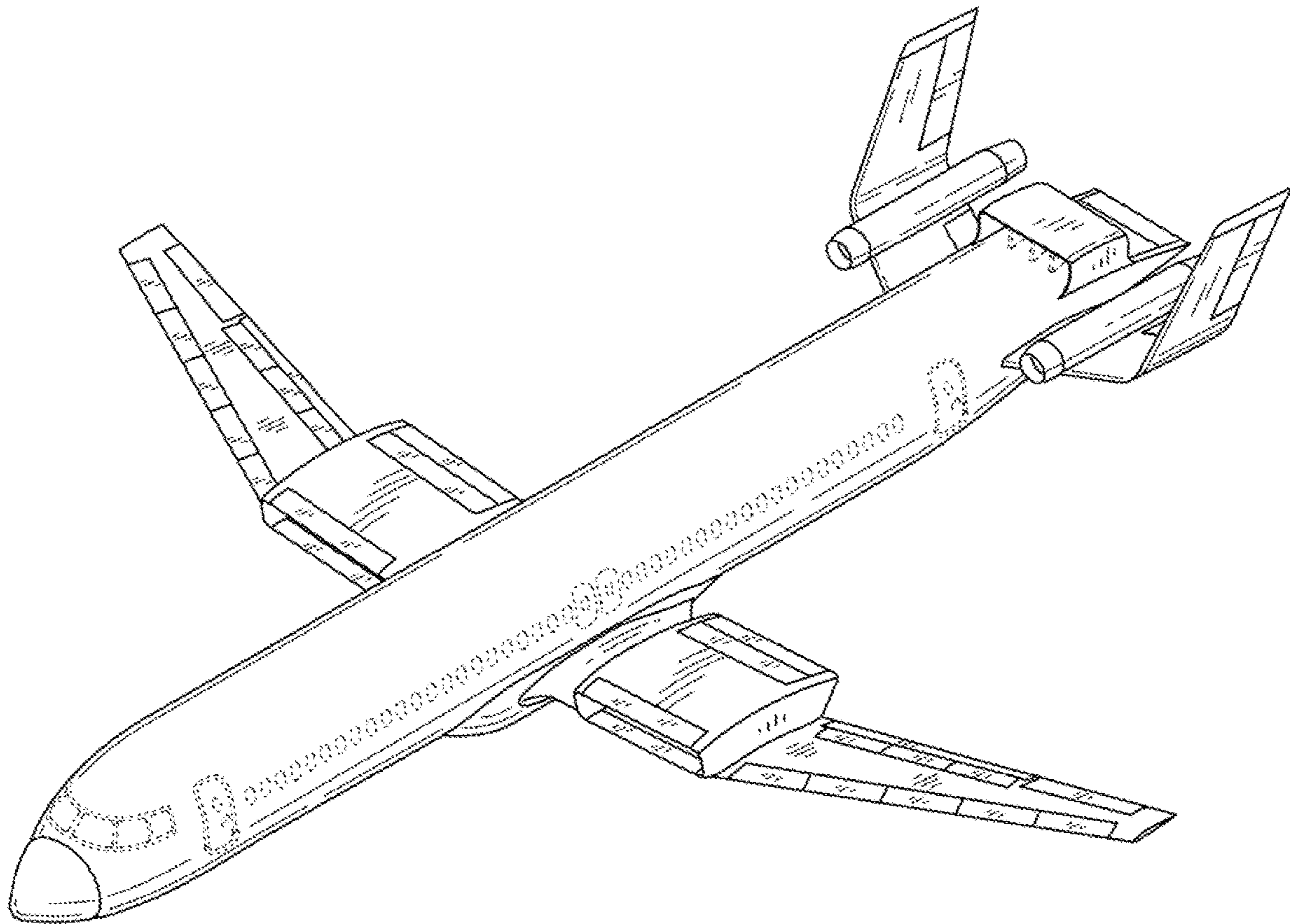


FIG. 1

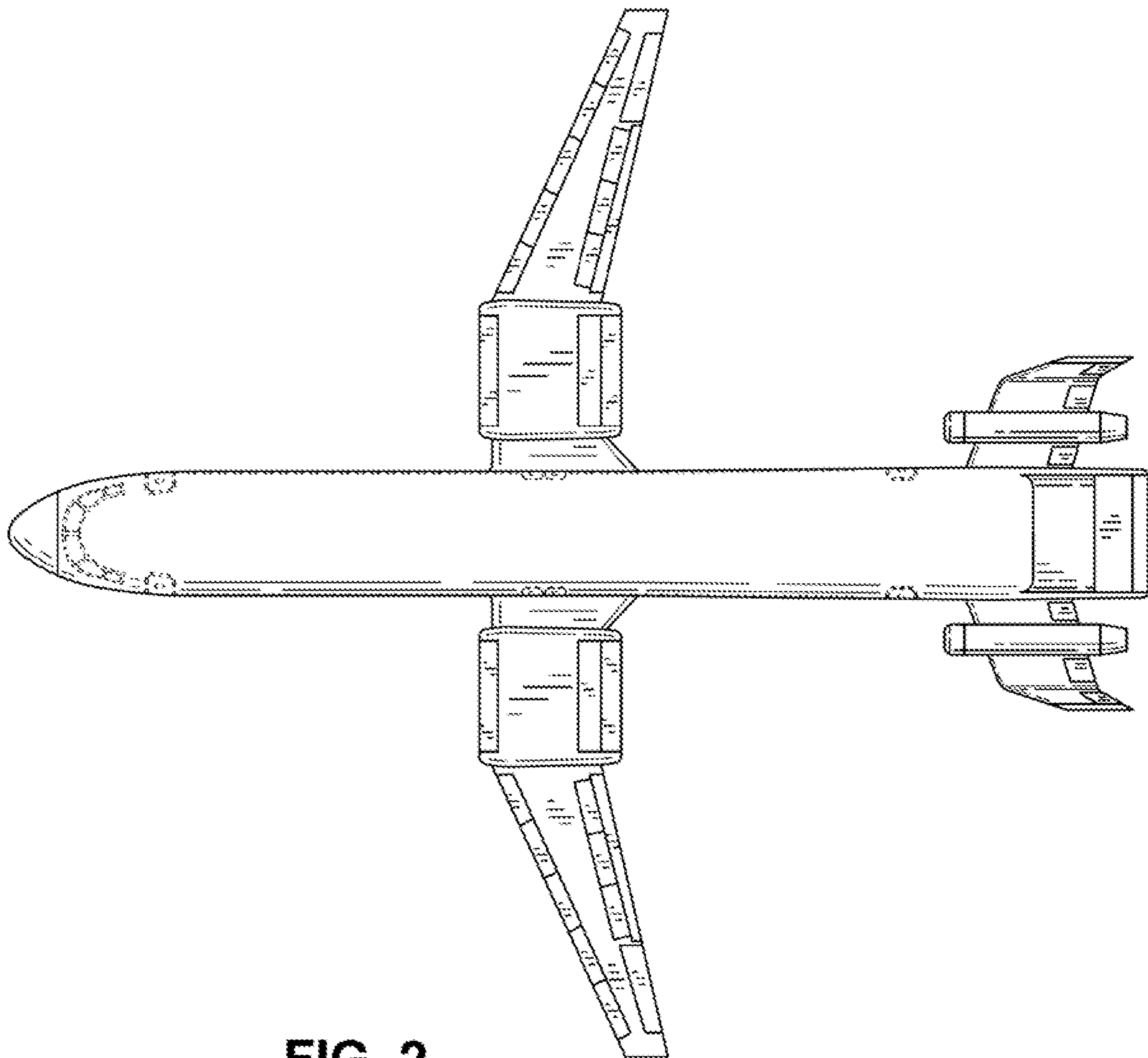


FIG. 2

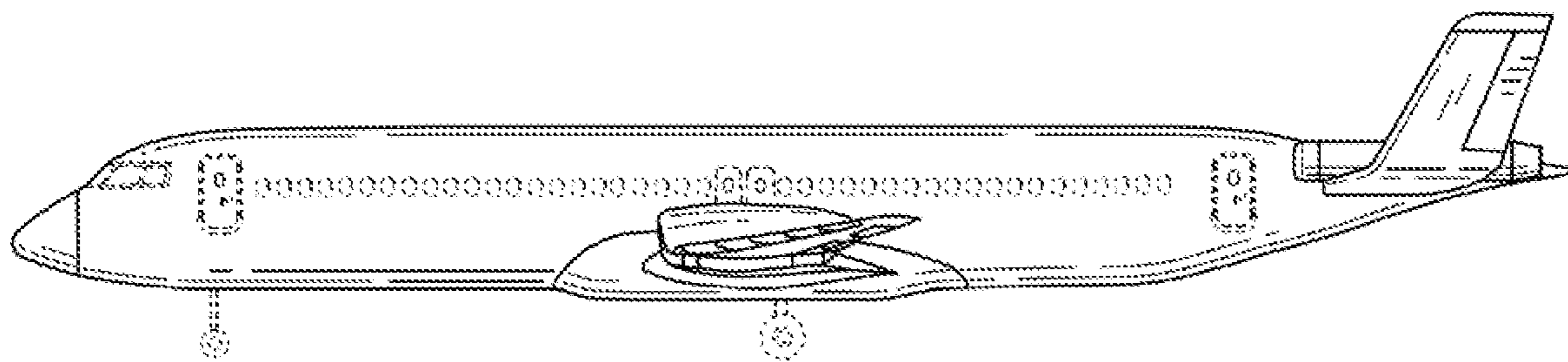


FIG. 3

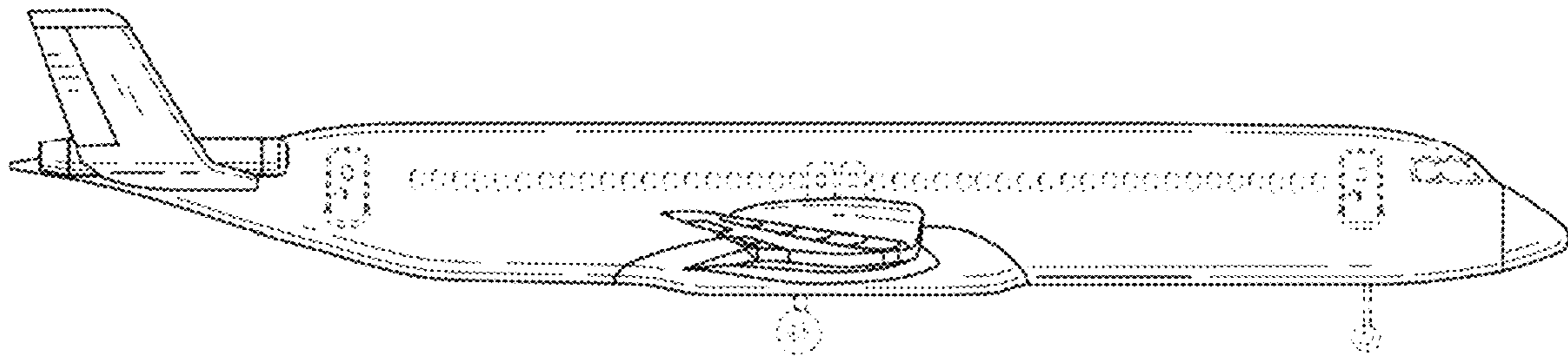


FIG. 4

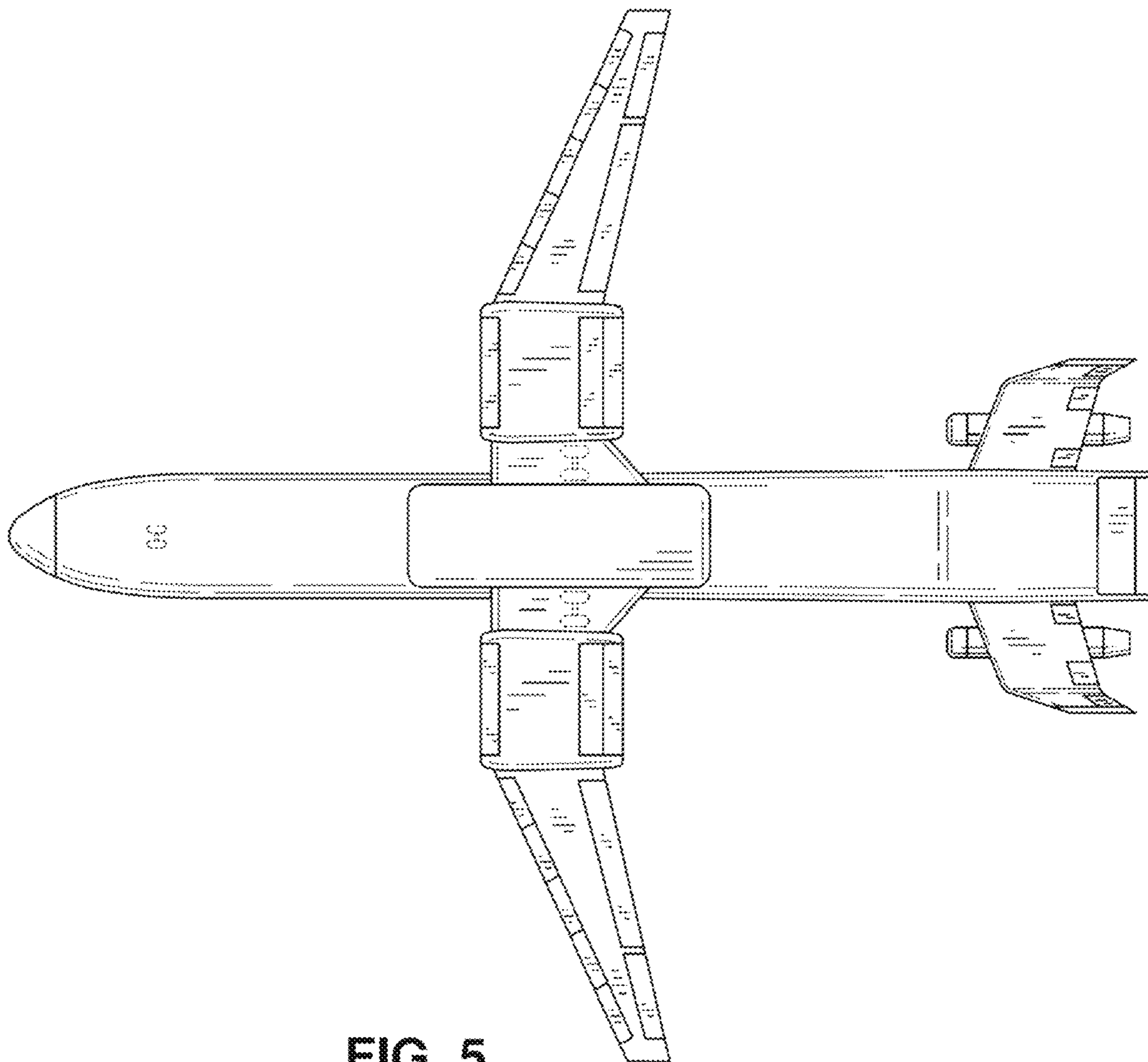


FIG. 5

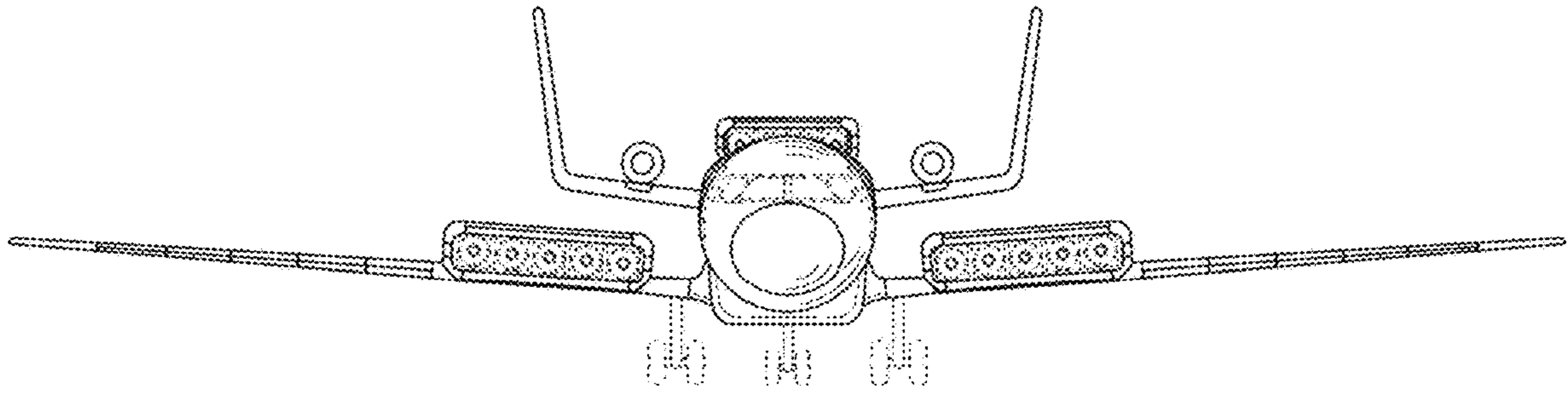


FIG. 6

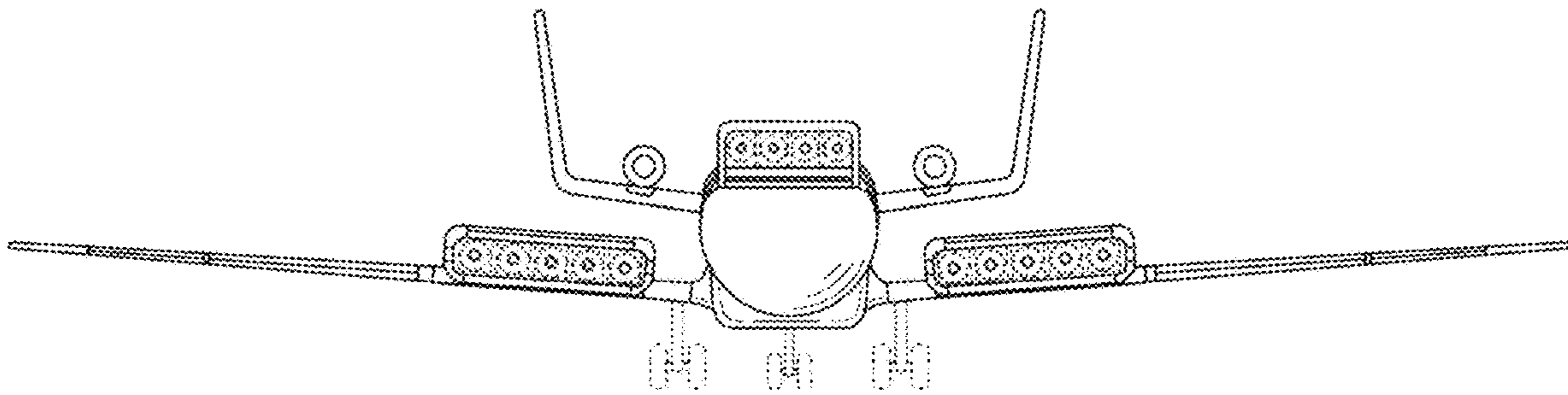


FIG. 7