

US00D902827S

(12) **United States Design Patent**
Ohashi

(10) **Patent No.:** **US D902,827 S**

(45) **Date of Patent:** **** Nov. 24, 2020**

(54) **TAILSITTER AIRCRAFT**

(71) Applicant: **INDUSTRY NETWORK Co., Ltd.**,
Okaya (JP)

(72) Inventor: **Toshio Ohashi**, Okaya (JP)

(73) Assignee: **INDUSTRY NETWORK Co., Ltd.**,
Okaya (JP)

(**) Term: **15 Years**

(21) Appl. No.: **29/704,467**

(22) Filed: **Sep. 5, 2019**

(30) **Foreign Application Priority Data**

Mar. 11, 2019 (JP) 2019-005042

(51) **LOC (12) Cl.** **12-07**

(52) **U.S. Cl.**
USPC **D12/326; D12/328**

(58) **Field of Classification Search**
USPC D12/1-4, 16.1, 319-345; D21/301, 436,
D21/441, 442, 443, 444, 447, 448, 449,
D21/450, 451, 452, 453, 454, 455
CPC B64C 39/024; B64C 2201/108; B64C
2201/141; B64C 2201/024
See application file for complete search history.

(56) **References Cited**

U.S. PATENT DOCUMENTS

D388,392 S * 12/1997 McGinnis D12/319
D496,074 S * 9/2004 Darack D12/321
D558,661 S * 1/2008 Lau D12/321
D559,166 S * 1/2008 Lau D12/321
D559,763 S * 1/2008 Lau D12/321
D626,056 S * 10/2010 Garreau D12/326

D795,784 S * 8/2017 Guo D12/328
D813,723 S * 3/2018 Ahn D12/16.1
D814,972 S * 4/2018 Ahn D12/16.1
D826,778 S * 8/2018 Wang D12/16.1
10,252,797 B2 * 4/2019 Vondrell B64C 11/46
D871,511 S * 12/2019 Wang D21/436
2010/0044499 A1 * 2/2010 Dragan B64C 27/08
244/17.23
2011/0186679 A1 8/2011 Reckzeh
2017/0076616 A1 * 3/2017 Kanade G08G 5/045

FOREIGN PATENT DOCUMENTS

JP 2011-527253 A 10/2011
JP 1563992 S 11/2016
JP 2017-507843 A 3/2017
JP 1632562 S 5/2019
WO WO-2015-143093 A2 9/2015

* cited by examiner

Primary Examiner — Marissa J Cash

(74) *Attorney, Agent, or Firm* — Harness, Dickey &
Pierce, P.L.C.

(57) **CLAIM**

The ornamental design for a tailsitter aircraft, as shown and described.

DESCRIPTION

FIG. 1 is a perspective view of a tailsitter aircraft embodying my new design;
FIG. 2 is another perspective view thereof;
FIG. 3 is a front elevational view thereof;
FIG. 4 is a rear elevational view thereof;
FIG. 5 is a right side elevational view thereof;
FIG. 6 is a left side elevational view thereof;
FIG. 7 is a top plan view thereof; and,
FIG. 8 is a bottom plan view thereof.

1 Claim, 8 Drawing Sheets

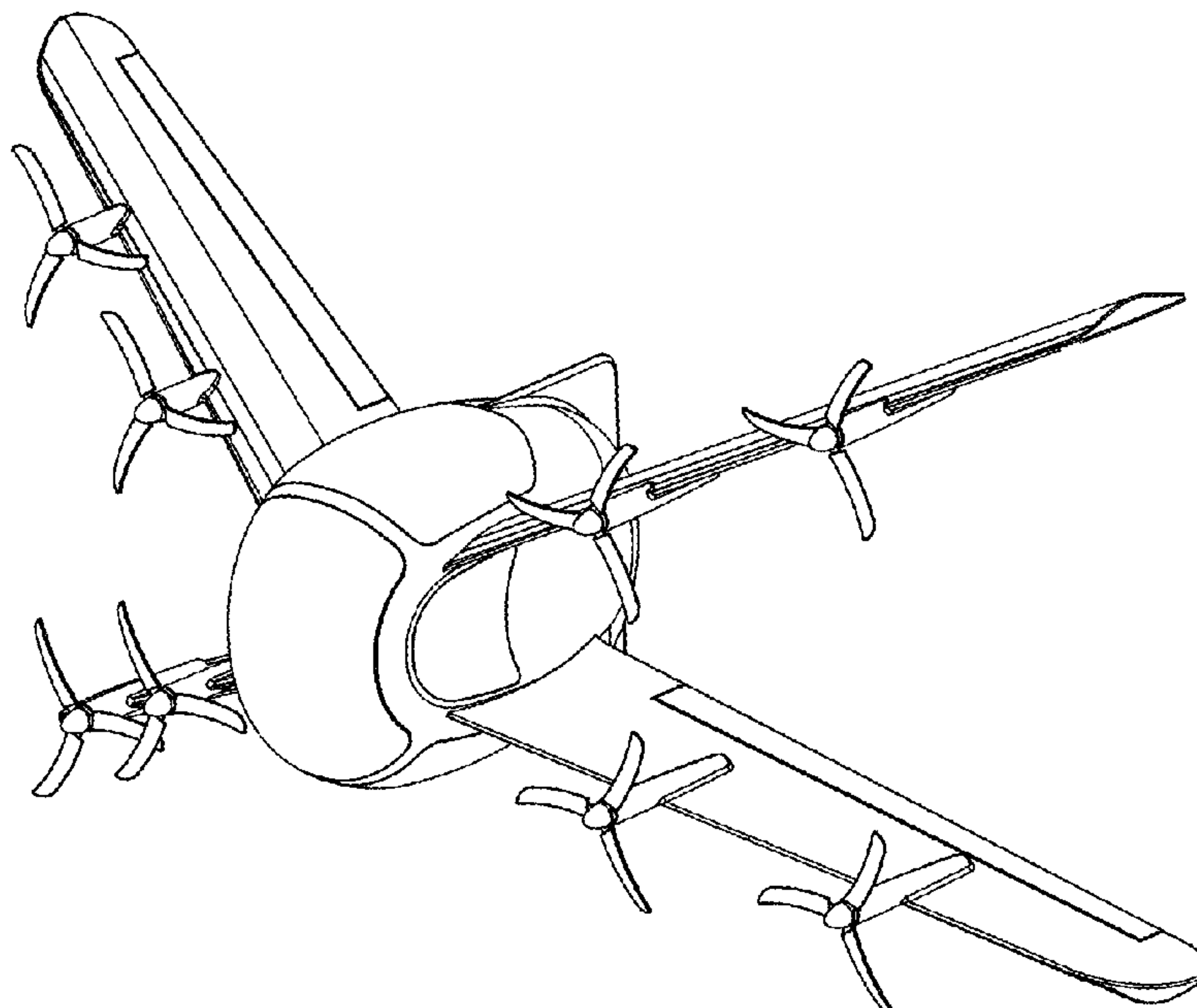


FIG.1

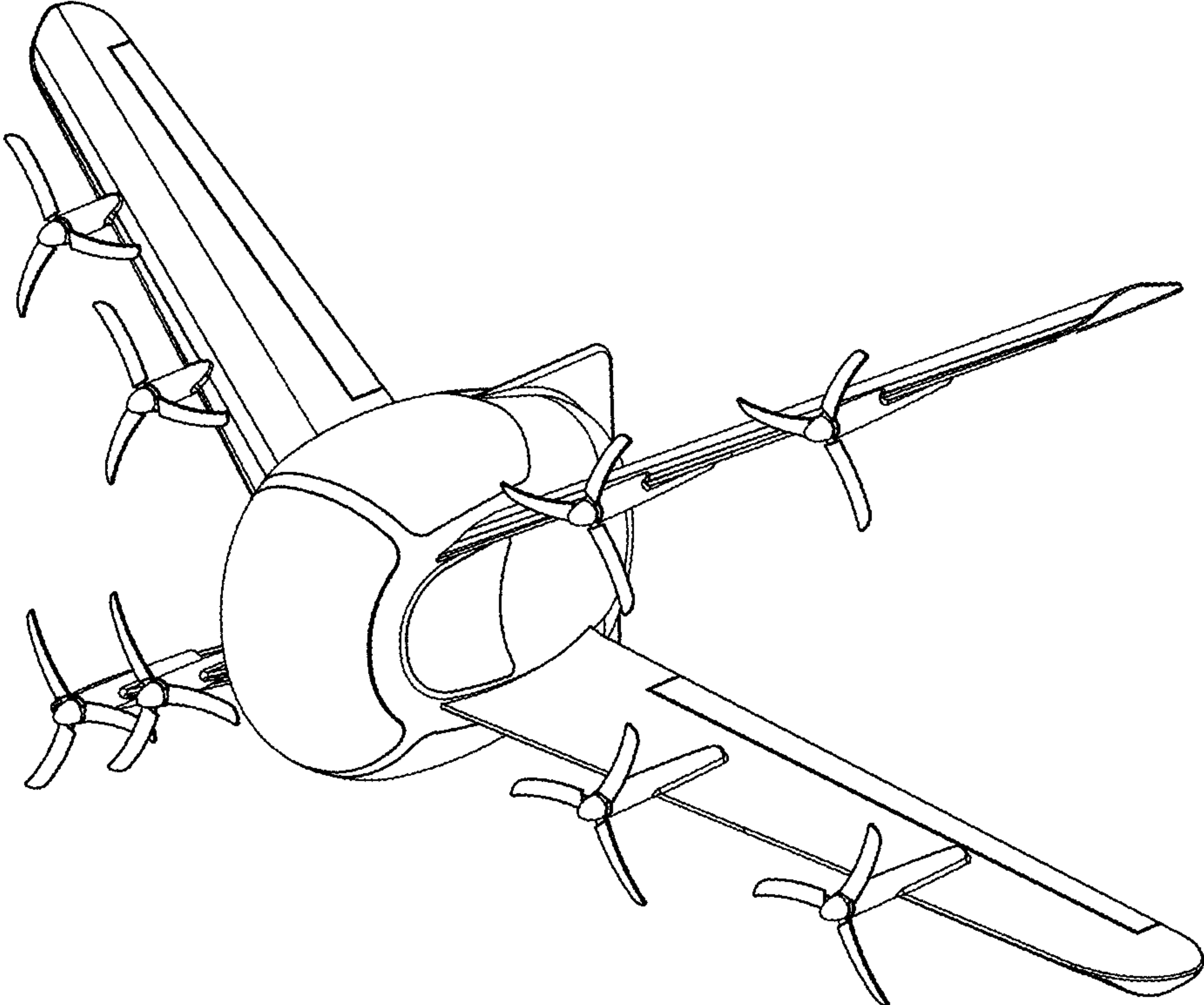


FIG.2

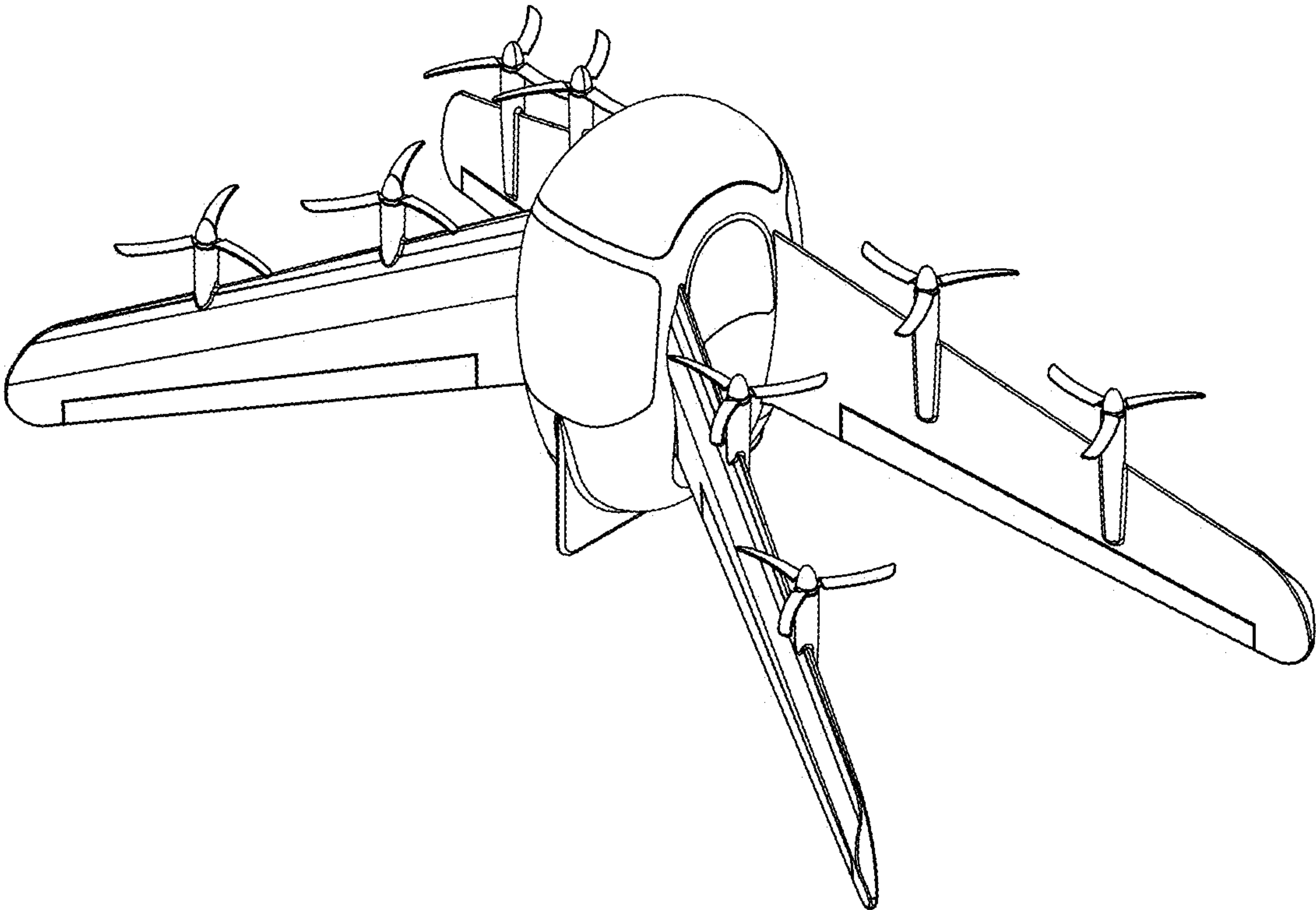


FIG.3

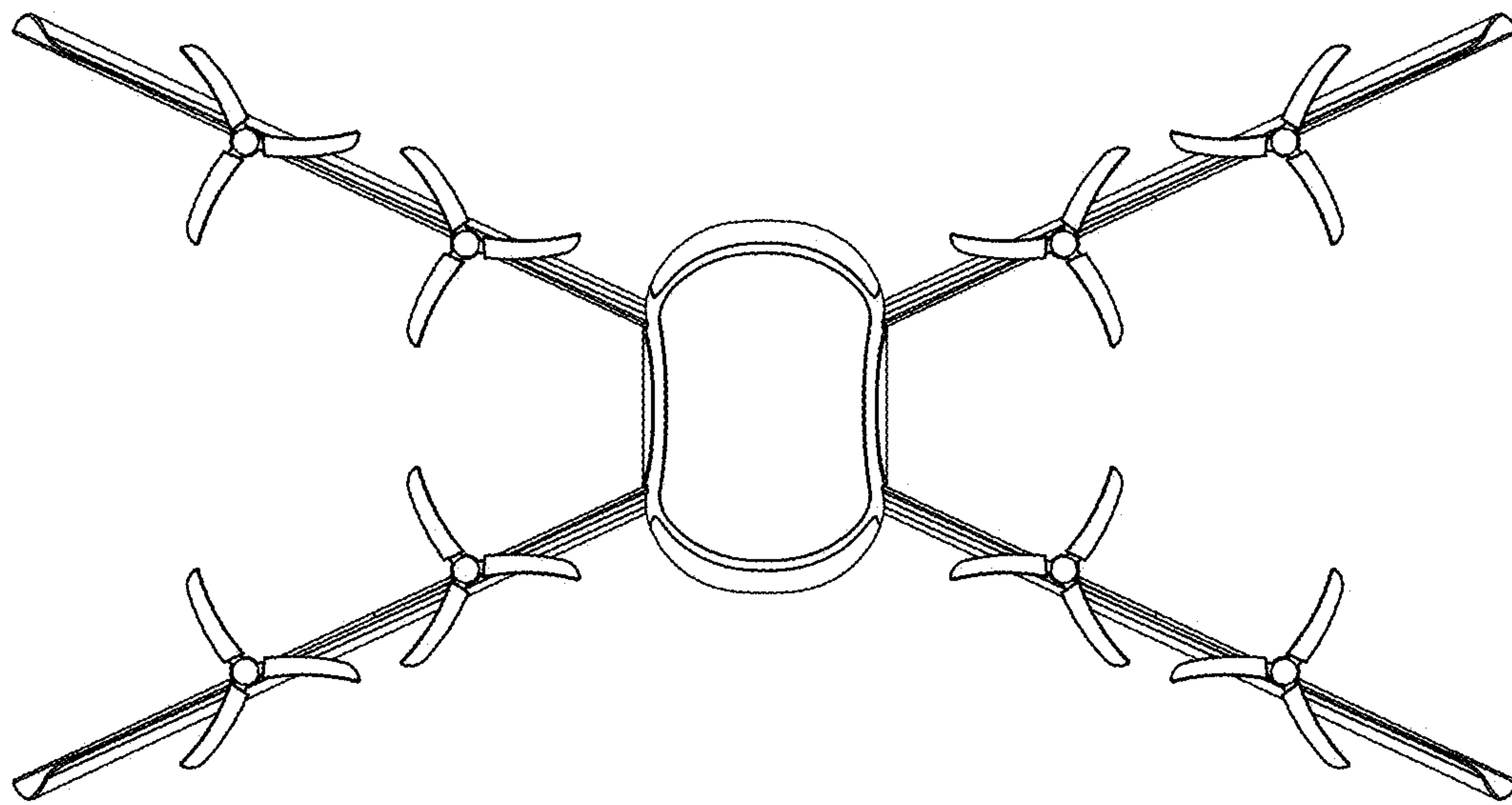


FIG.4

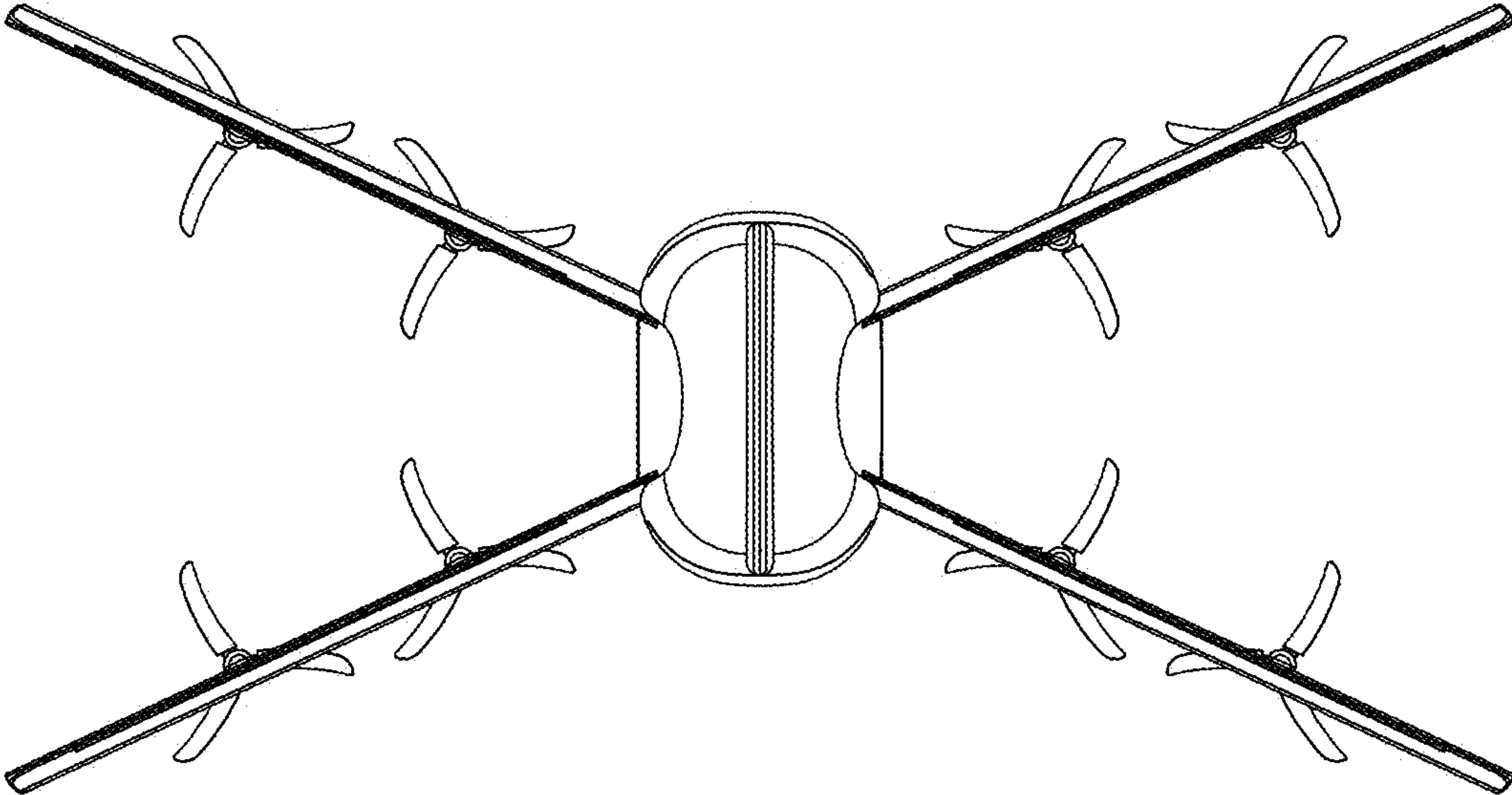


FIG.5

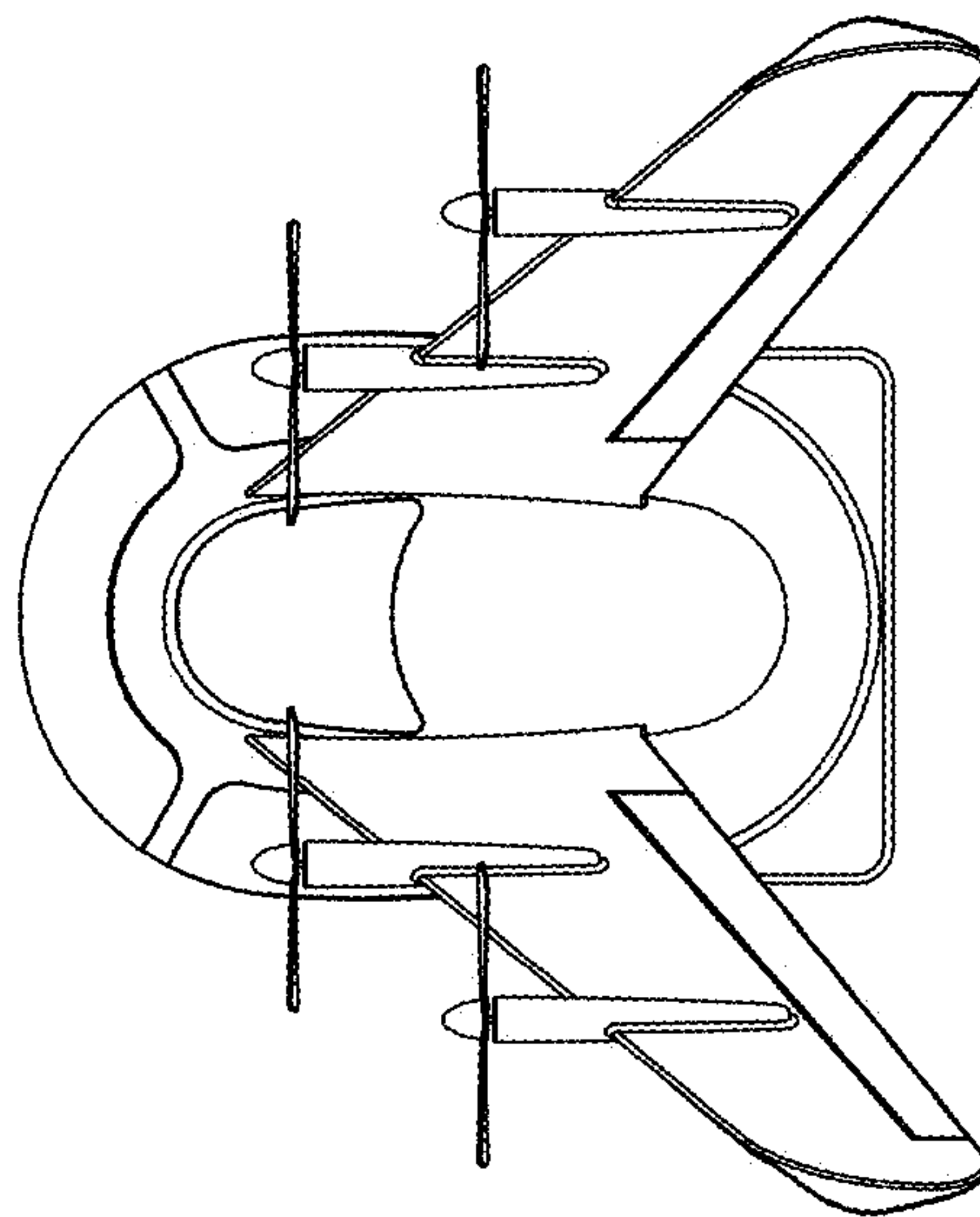


FIG.6

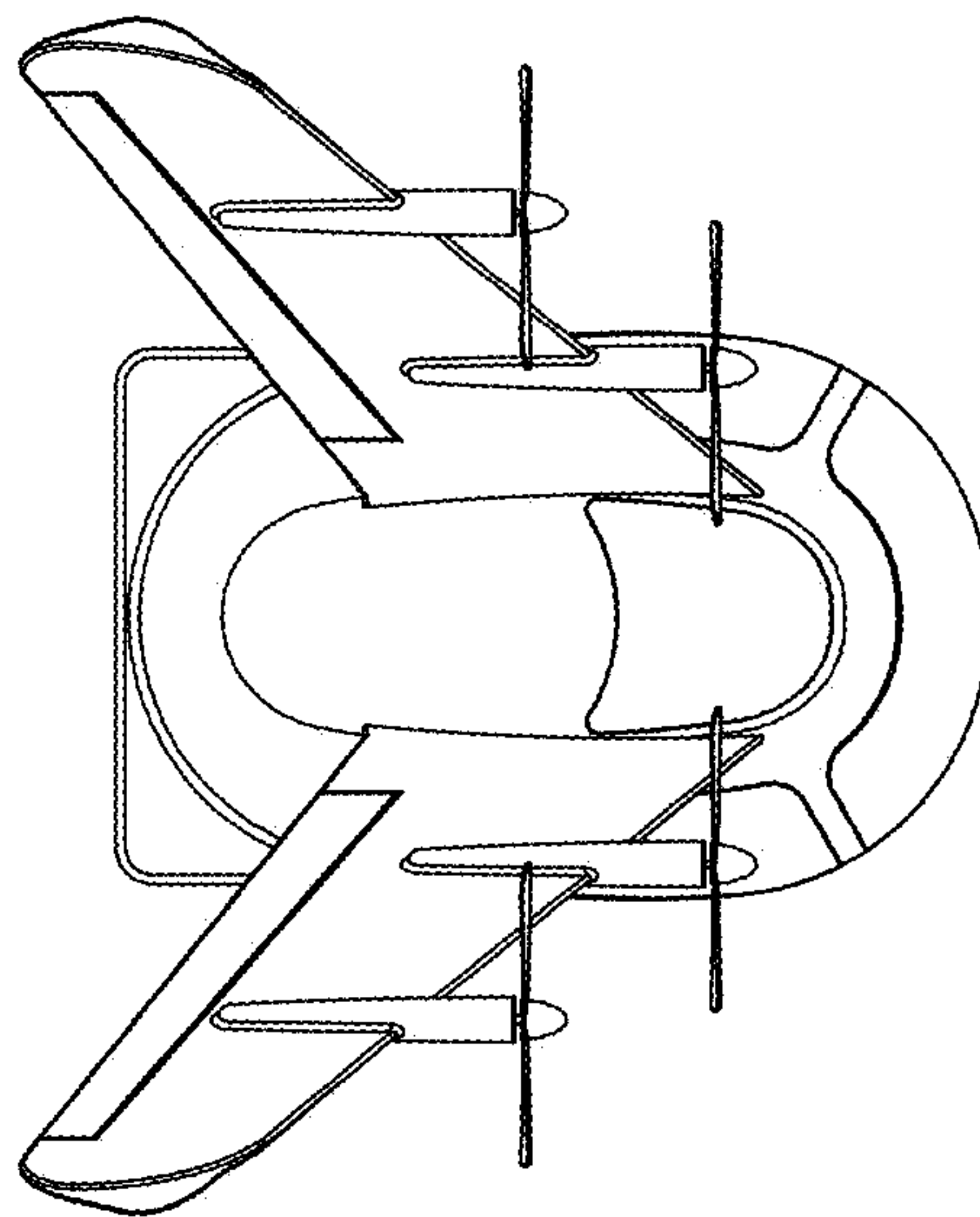


FIG.7

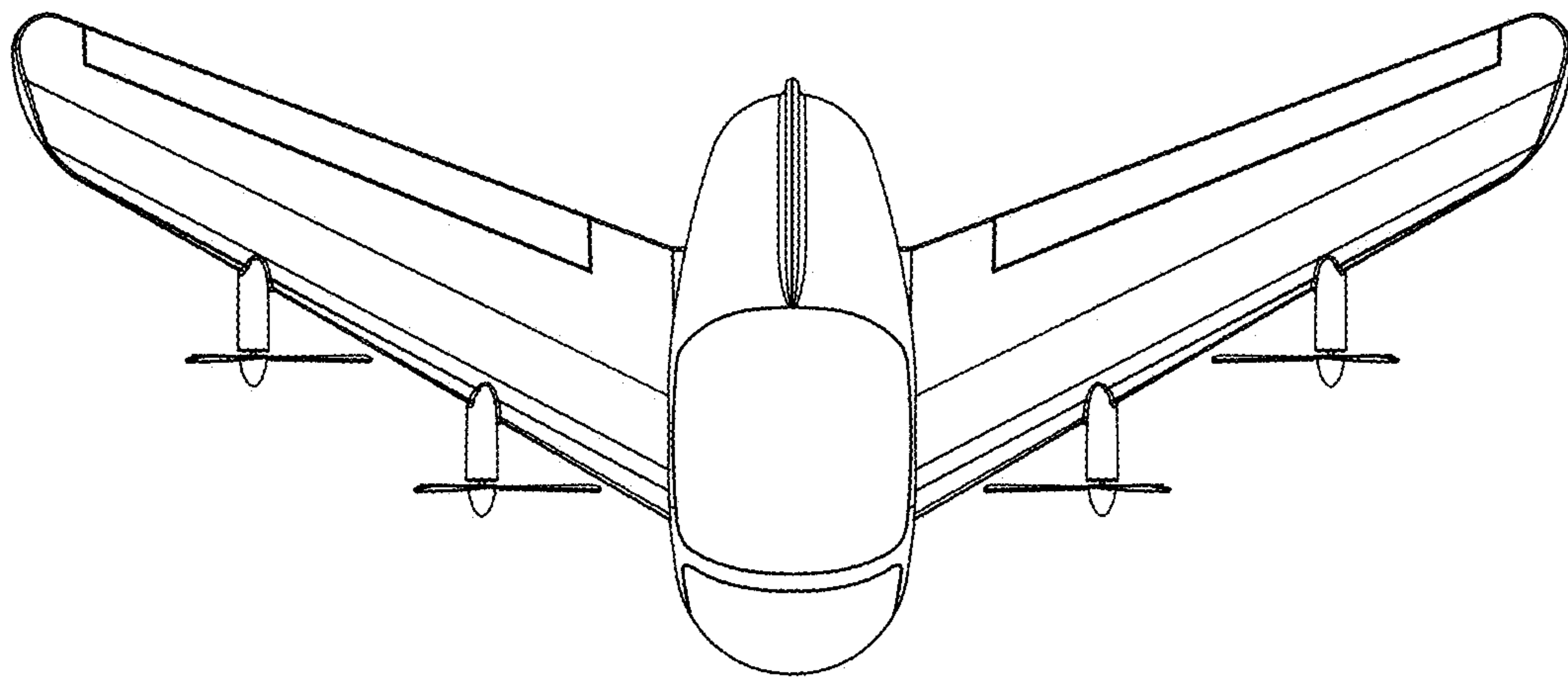


FIG.8

