



US00D902824S

(12) **United States Design Patent** (10) **Patent No.:** **US D902,824 S**  
**Ash** (45) **Date of Patent:** **\*\* Nov. 24, 2020**

- (54) **VEHICLE WHEEL SPOKE**
- (71) Applicant: **Pilot Inc.**, City of Industry, CA (US)
- (72) Inventor: **Kelleigh Ash**, City of Industry, CA (US)
- (73) Assignee: **Pilot Inc.**, City of Industry, CA (US)
- (\*\*) Term: **15 Years**
- (21) Appl. No.: **29/713,702**
- (22) Filed: **Nov. 18, 2019**

D725,568 S	3/2015	Hodges	
D738,278 S	9/2015	Wolff et al.	
D762,545 S	8/2016	Hodges	
D789,270 S	6/2017	Hodges	
D791,052 S	7/2017	Hodges	
D795,779 S	8/2017	Pollex	
D795,780 S *	8/2017	Simpson	D12/213
D799,399 S	10/2017	Chung	
D802,512 S	11/2017	Kong	
D823,224 S	7/2018	Nakamura	
D828,266 S	9/2018	Garcia	
D828,270 S	9/2018	Aslam	
D830,269 S	10/2018	Garcia	
D830,271 S	10/2018	Aslam	
D831,561 S *	10/2018	Aiello	D12/213
D833,943 S	11/2018	Chung	
D838,647 S	1/2019	Han	

(Continued)

**Related U.S. Application Data**

- (62) Division of application No. 29/666,998, filed on Oct. 17, 2018, now Pat. No. Des. 871,300.
- (51) **LOC (12) Cl.** ..... **12-16**
- (52) **U.S. Cl.**  
USPC ..... **D12/213**
- (58) **Field of Classification Search**  
USPC ..... D12/204-213  
CPC .... B60B 7/00; B60B 7/02; B60B 7/04; B60B 7/01; B60B 7/06; B60B 3/02; B60B 3/04; B60B 3/06; B60B 3/10; B60B 1/00; B60B 1/08; B60B 1/10; B60B 1/12  
See application file for complete search history.

(56) **References Cited**

**U.S. PATENT DOCUMENTS**

D455,701 S	4/2002	McMath	
D562,208 S *	2/2008	Pfeiffer	D12/213
D568,227 S *	5/2008	Bogani	D12/213
D578,457 S	10/2008	Guidry	
D682,760 S *	5/2013	Fetherston	D12/209
D695,194 S	12/2013	Kong	
D697,005 S	1/2014	Juergens et al.	
D707,610 S *	6/2014	Hale, Jr.	D12/211
D714,205 S *	9/2014	Hale, Jr.	D12/209
D716,713 S *	11/2014	Hale, Jr.	D12/211

**OTHER PUBLICATIONS**

U.S. Appl. No. 29/666,998, filed Oct. 1, 2018, Ash.  
Notice of Allowance for U.S. Appl. No. 29/666,998, dated Aug, 21, 2019, 10 pages.

*Primary Examiner* — Stacia A Cadmus  
(74) *Attorney, Agent, or Firm* — Sheridan Ross P.C.

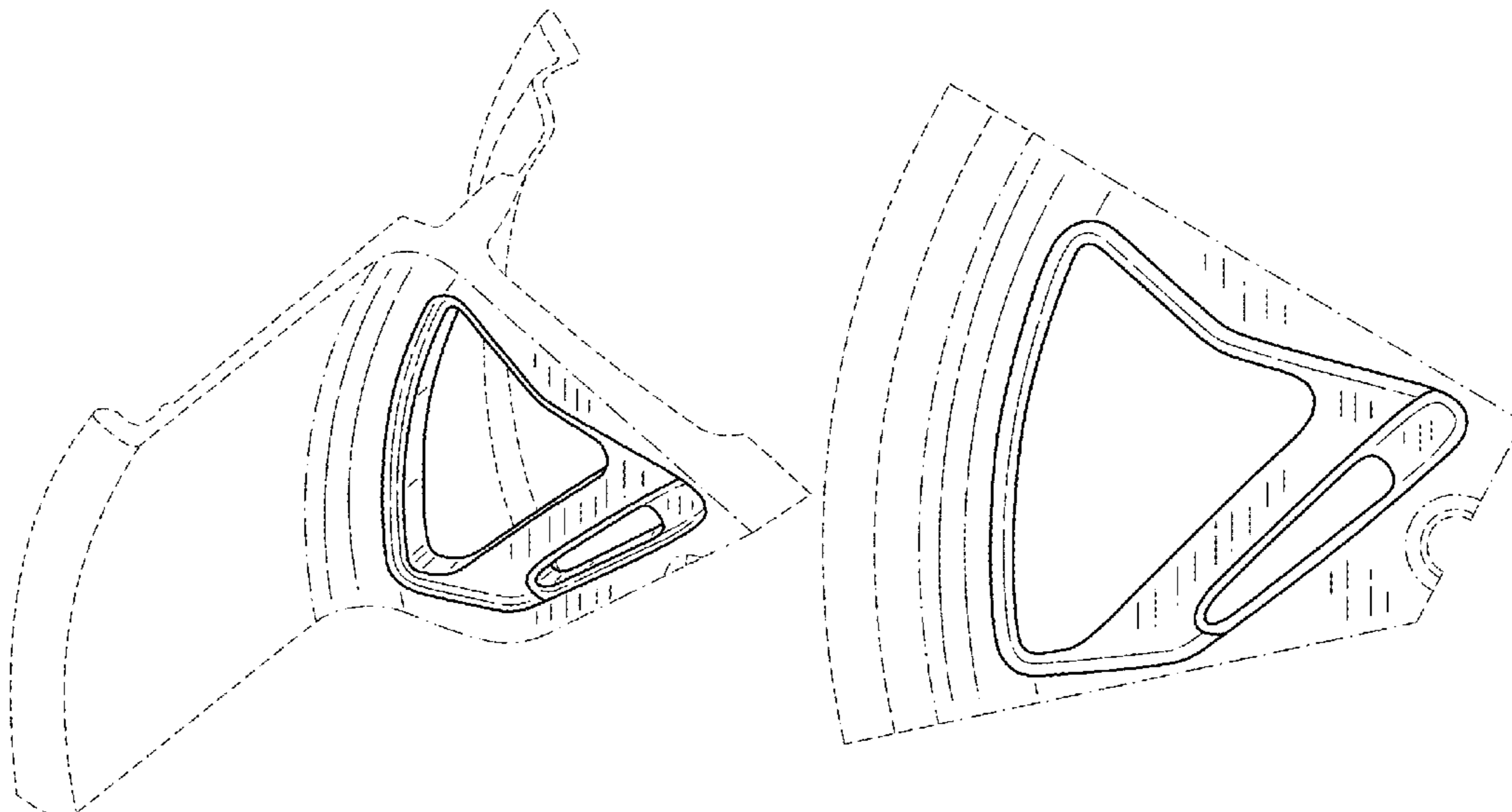
(57) **CLAIM**

The ornamental design for a vehicle wheel spoke, as shown and described.

**DESCRIPTION**

FIG. 1 is a front perspective view of a vehicle wheel spoke showing my new design; FIG. 2 is another front perspective view thereof; and, FIG. 3 is a front view thereof. The broken lines show portions of the vehicle wheel spoke which form no part of the claimed design. The dash-dot-dash line(s) define the bounds of the vehicle wheel spoke and form no part thereof.

**1 Claim, 3 Drawing Sheets**



(56)

**References Cited**

U.S. PATENT DOCUMENTS

D842,201 S	3/2019	Han	
D842,210 S	3/2019	Simpson	
D843,298 S	3/2019	Hodges et al.	
D843,913 S	3/2019	Ash et al.	
D843,915 S	3/2019	Sarremejean et al.	
D846,478 S	4/2019	Kovacs	
D849,660 S	5/2019	Ranum	
D854,487 S	7/2019	Hale	
D870,632 S *	12/2019	Ash .....	D12/209
D871,300 S *	12/2019	Ash .....	D12/209

\* cited by examiner

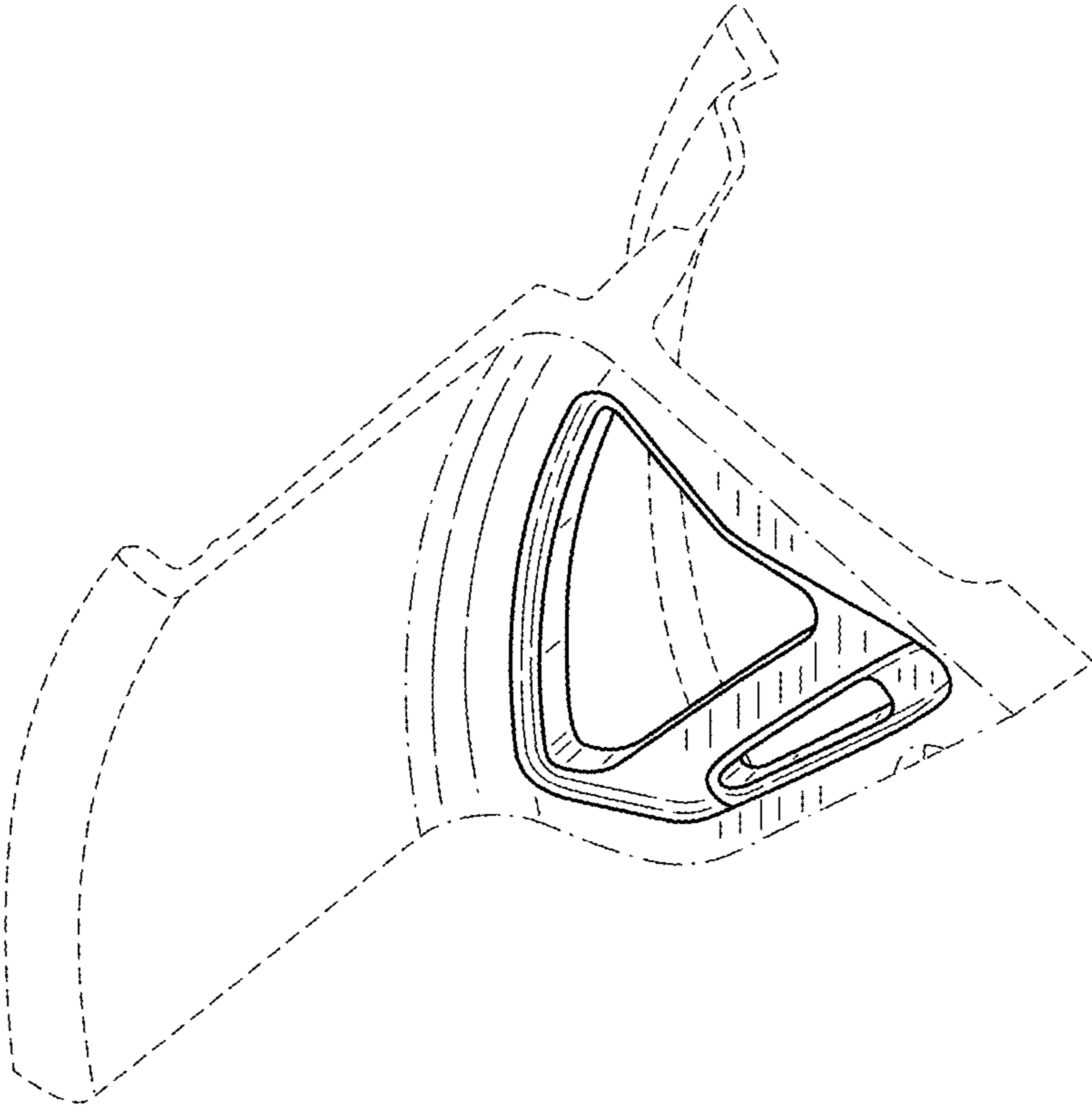


FIG.1

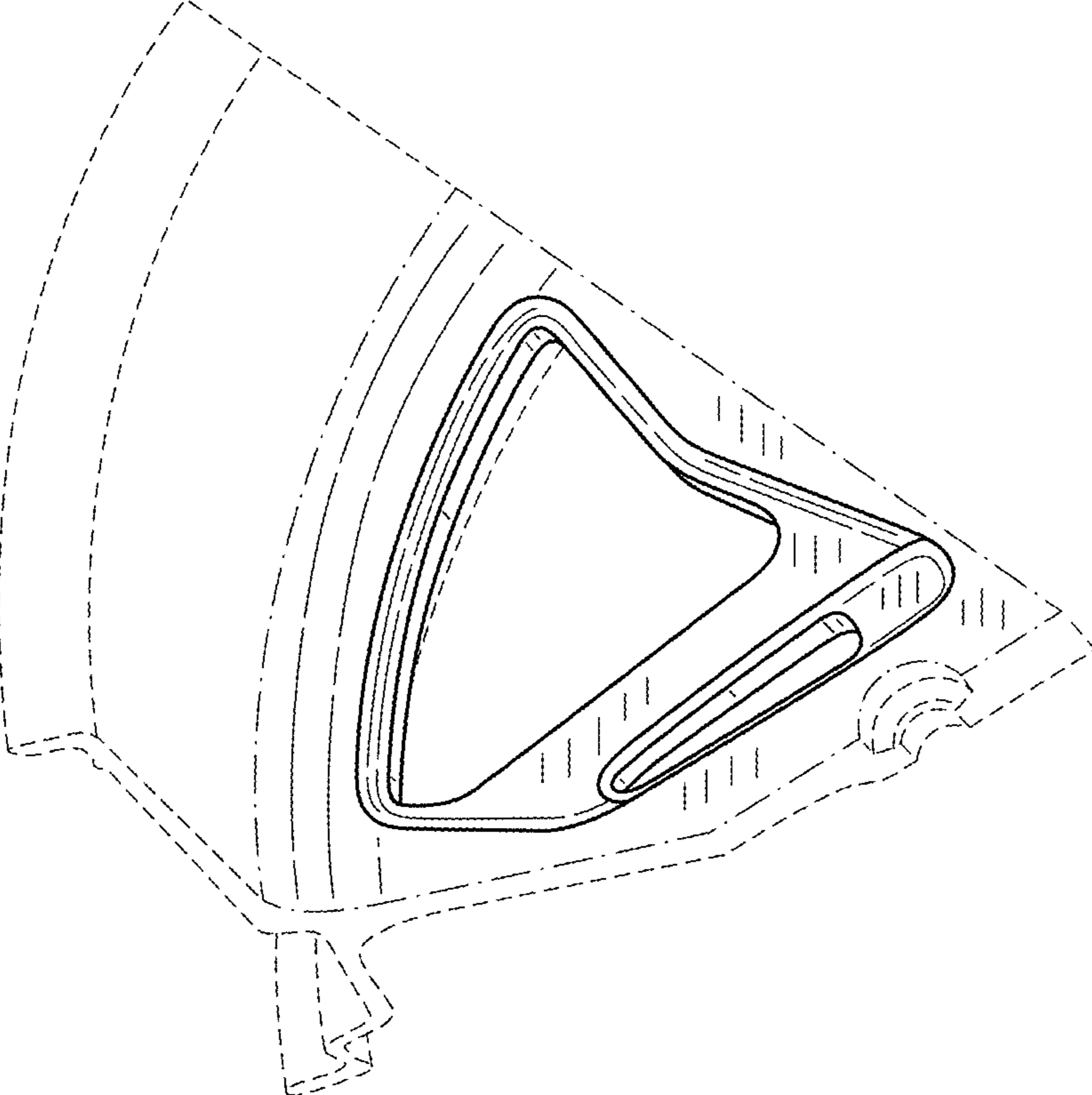


FIG.2

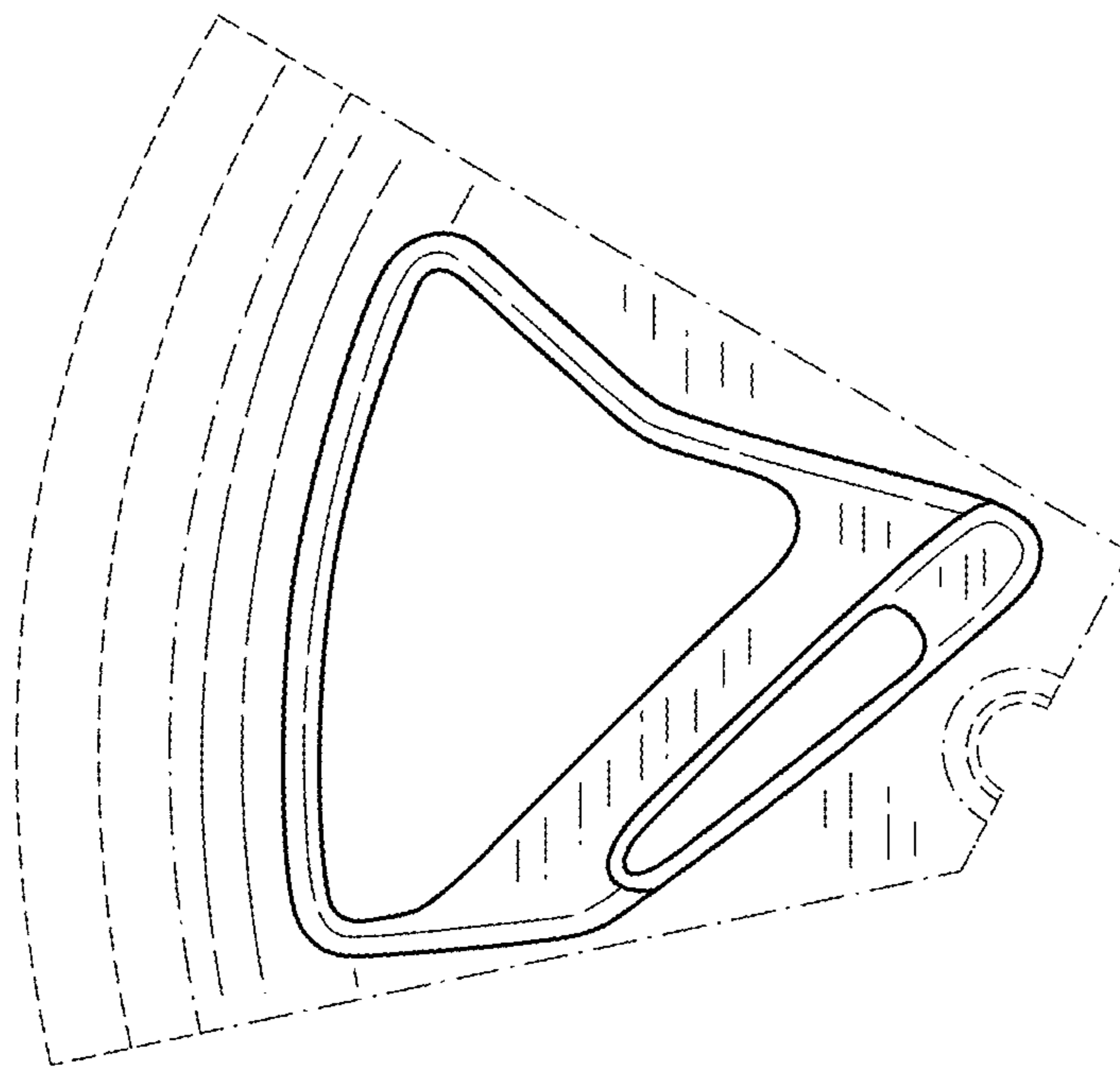


FIG.3