



US00D902799S

(12) **United States Design Patent** (10) **Patent No.:** **US D902,799 S**  
**Hamilton et al.** (45) **Date of Patent:** **\*\* Nov. 24, 2020**

(54) **VEHICLE FRONT UPPER BUMPER COVER**

(56) **References Cited**

(71) Applicant: **Ford Global Technologies, LLC**,  
Dearborn, MI (US)

(72) Inventors: **Christopher Hamilton**, Chelmsford  
(GB); **Jordan Bennett**, Brentwood  
(GB); **Simon Collins**, Sevenoaks (GB)

(73) Assignee: **Ford Global Technologies, LLC**,  
Dearborn, MI (US)

U.S. PATENT DOCUMENTS

D605,098 S	12/2009	Bennett et al.	
D606,464 S	12/2009	Bennett et al.	
D701,801 S	4/2014	Campbell et al.	
D701,802 S	4/2014	Campbell et al.	
D770,951 S	* 11/2016	Park .....	D12/169
D829,619 S	* 10/2018	Kim .....	D12/169
D860,886 S	* 9/2019	Hong .....	D12/169
D866,414 S	* 11/2019	Bucher .....	D12/169

\* cited by examiner

(\*\*) Term: **15 Years**

*Primary Examiner* — Melody N Brown

(21) Appl. No.: **29/680,350**

(74) *Attorney, Agent, or Firm* — Vichit Chea

(22) Filed: **Feb. 15, 2019**

(57) **CLAIM**

The ornamental design for a vehicle front upper bumper cover, as shown and described.

(30) **Foreign Application Priority Data**

**DESCRIPTION**

Aug. 28, 2018 (DE) ..... 40 2018 100 844

(51) **LOC (12) Cl.** ..... **12-16**

(52) **U.S. Cl.**  
USPC ..... **D12/169**

(58) **Field of Classification Search**  
USPC ..... D12/169, 196, 86, 90-92, 163, 190, 98,  
D12/164; 293/102, 113, 115, 117, 120,  
293/193.11; 296/180.1, 180.2; 180/68.1,  
180/68.6  
CPC ..... B60R 19/52; B60K 11/08; B62D 25/08;  
B62B 9/16

FIG. 1 is a front elevational view of a vehicle front upper bumper cover, showing our new design;  
FIG. 2 is a rear elevational view thereof;  
FIG. 3 is a left side elevational view thereof;  
FIG. 4 is a right side elevational view thereof;  
FIG. 5 is a top plan view thereof;  
FIG. 6 is a bottom plan view thereof;  
FIG. 7 is a top, front, and left side perspective view thereof;  
and,  
FIG. 8 is a bottom, front, and left side perspective view thereof.

See application file for complete search history.

**1 Claim, 8 Drawing Sheets**



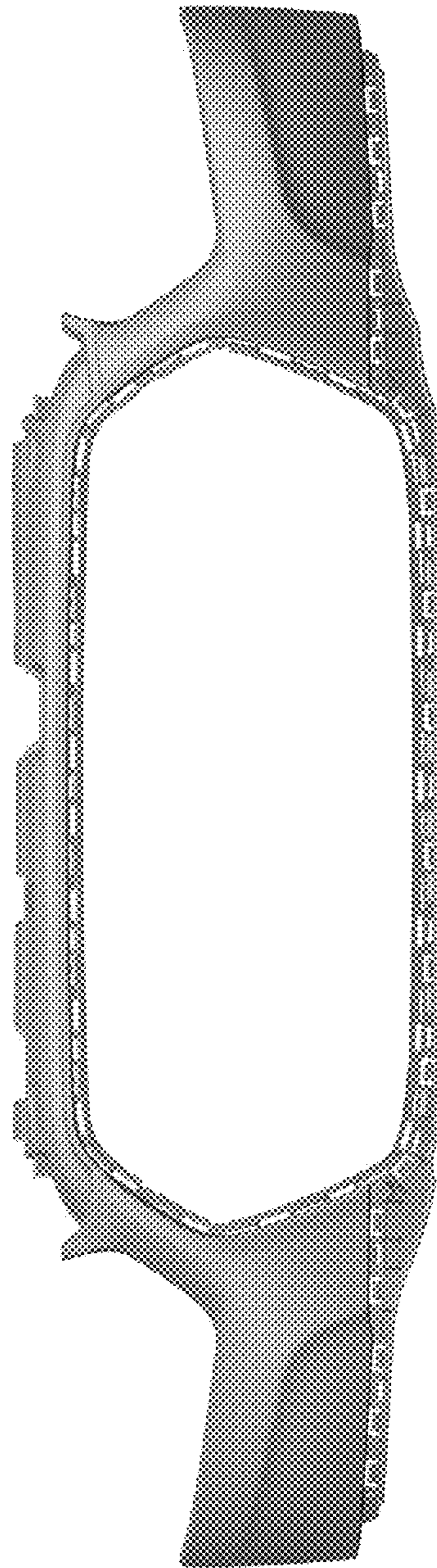


Fig. 1

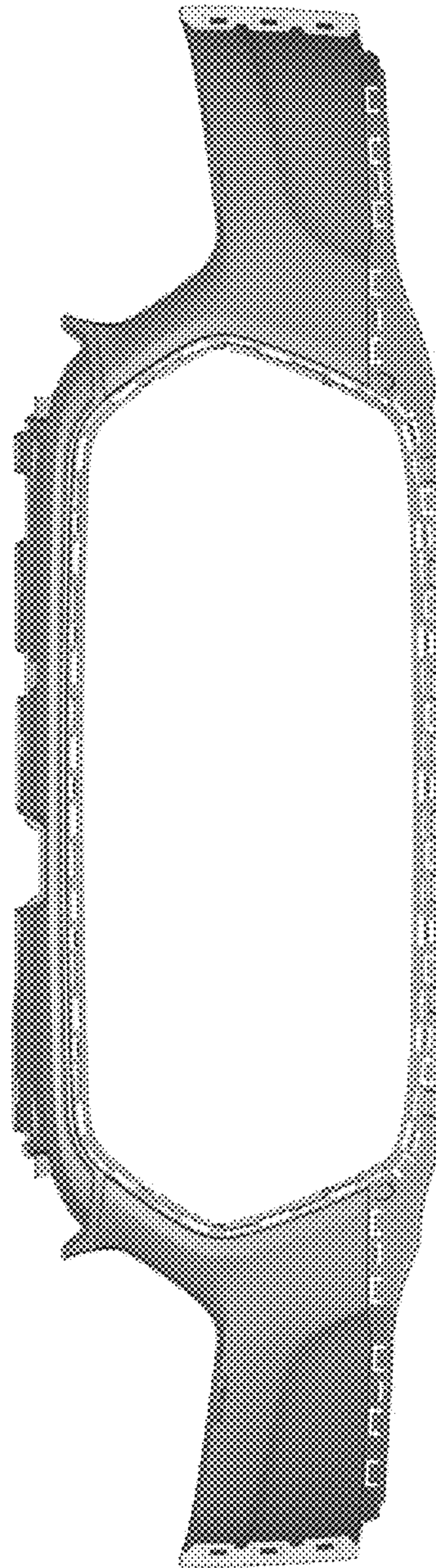
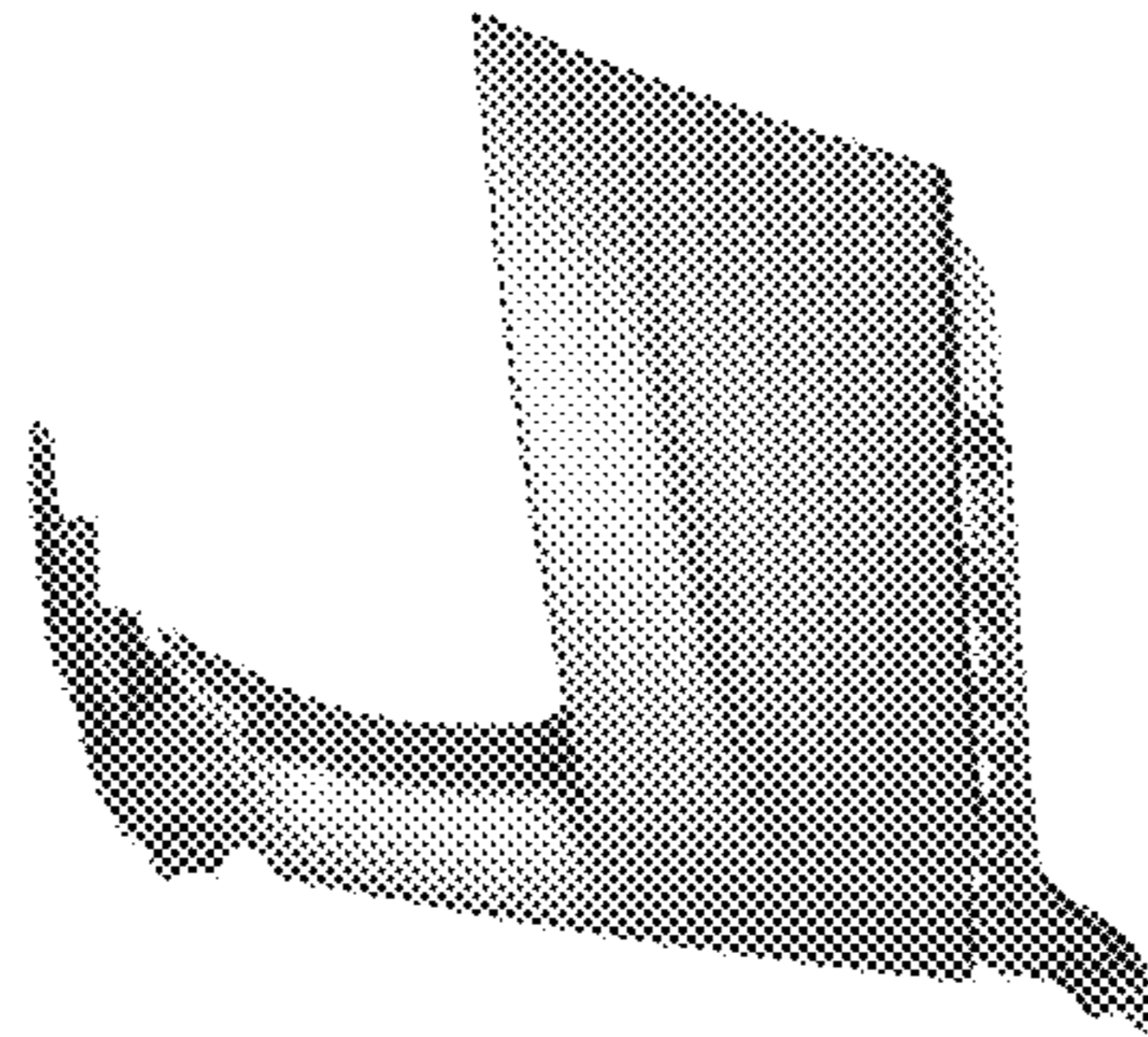


Fig. 2

Fig. 3



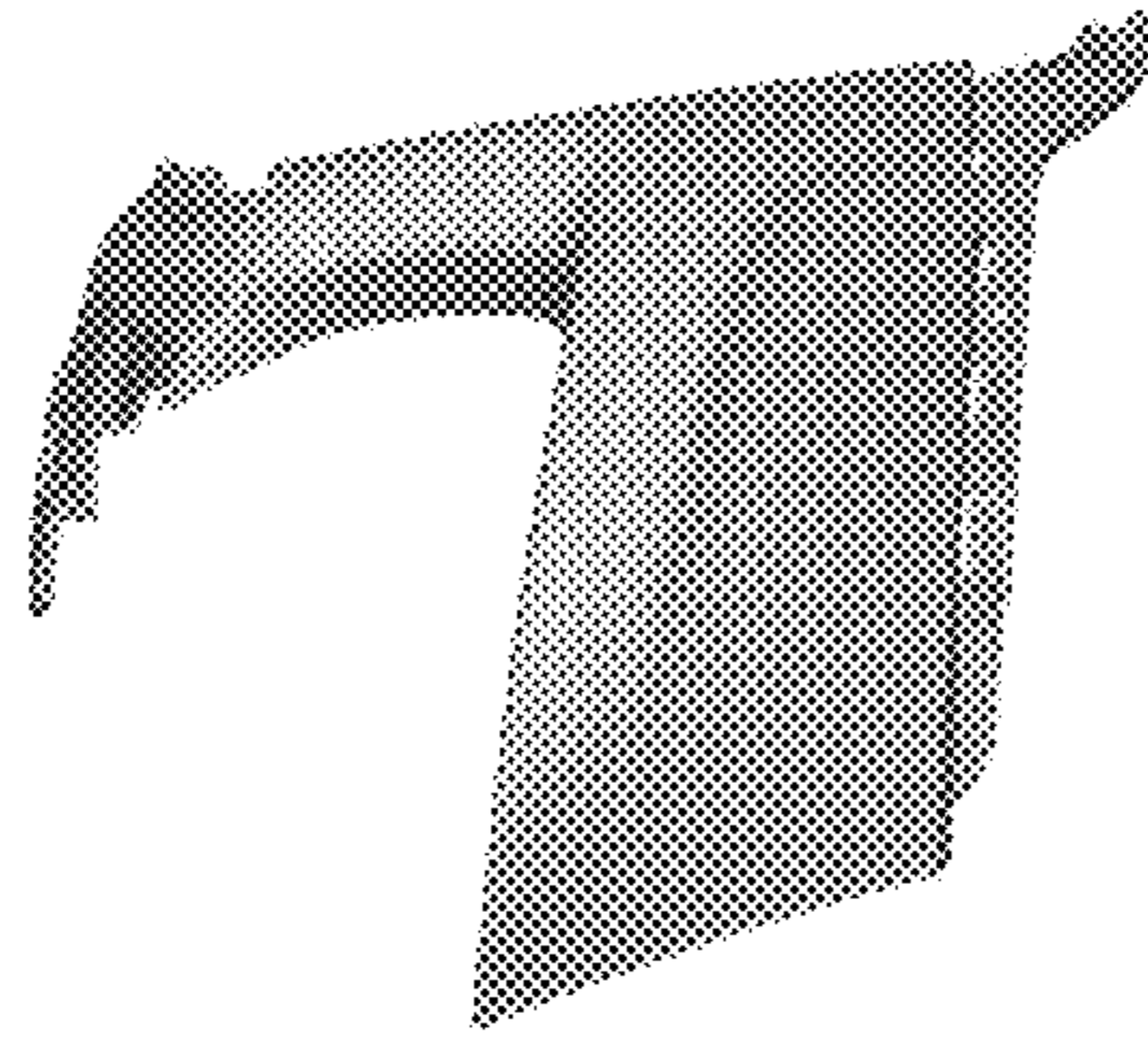


Fig. 4

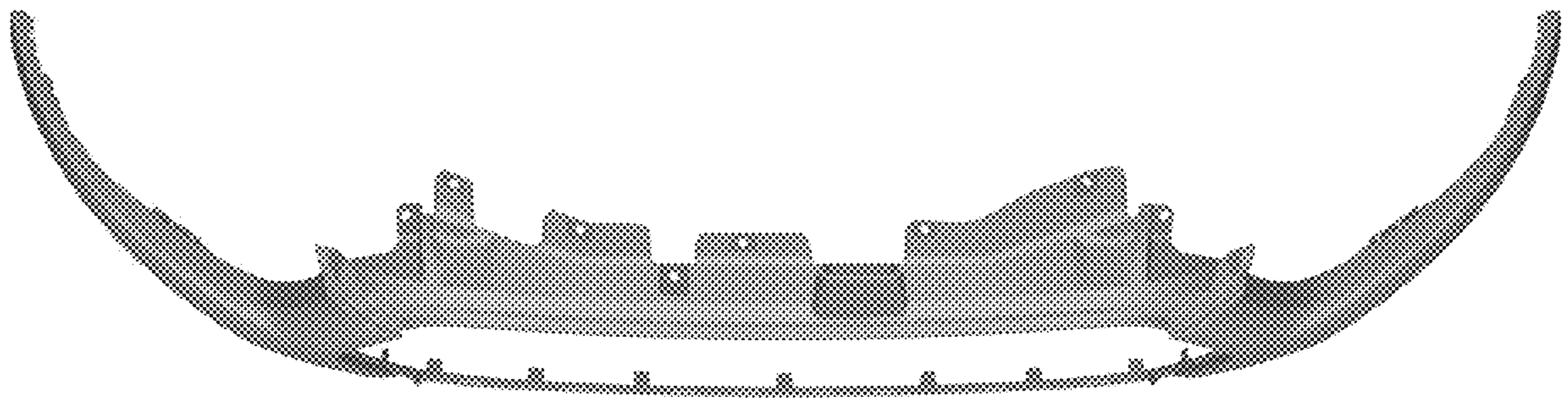


Fig. 5

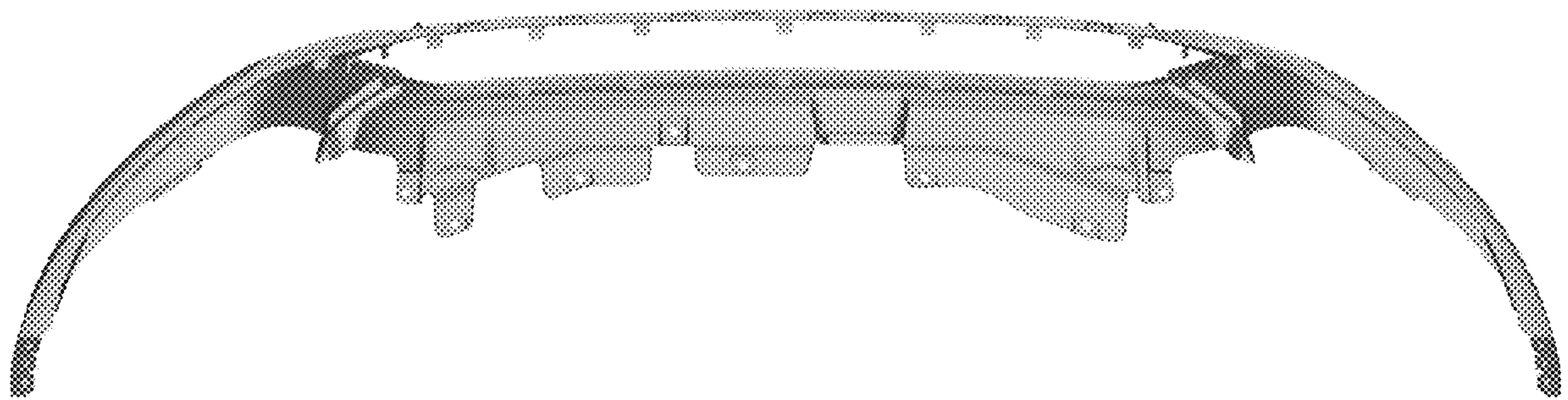


Fig. 6

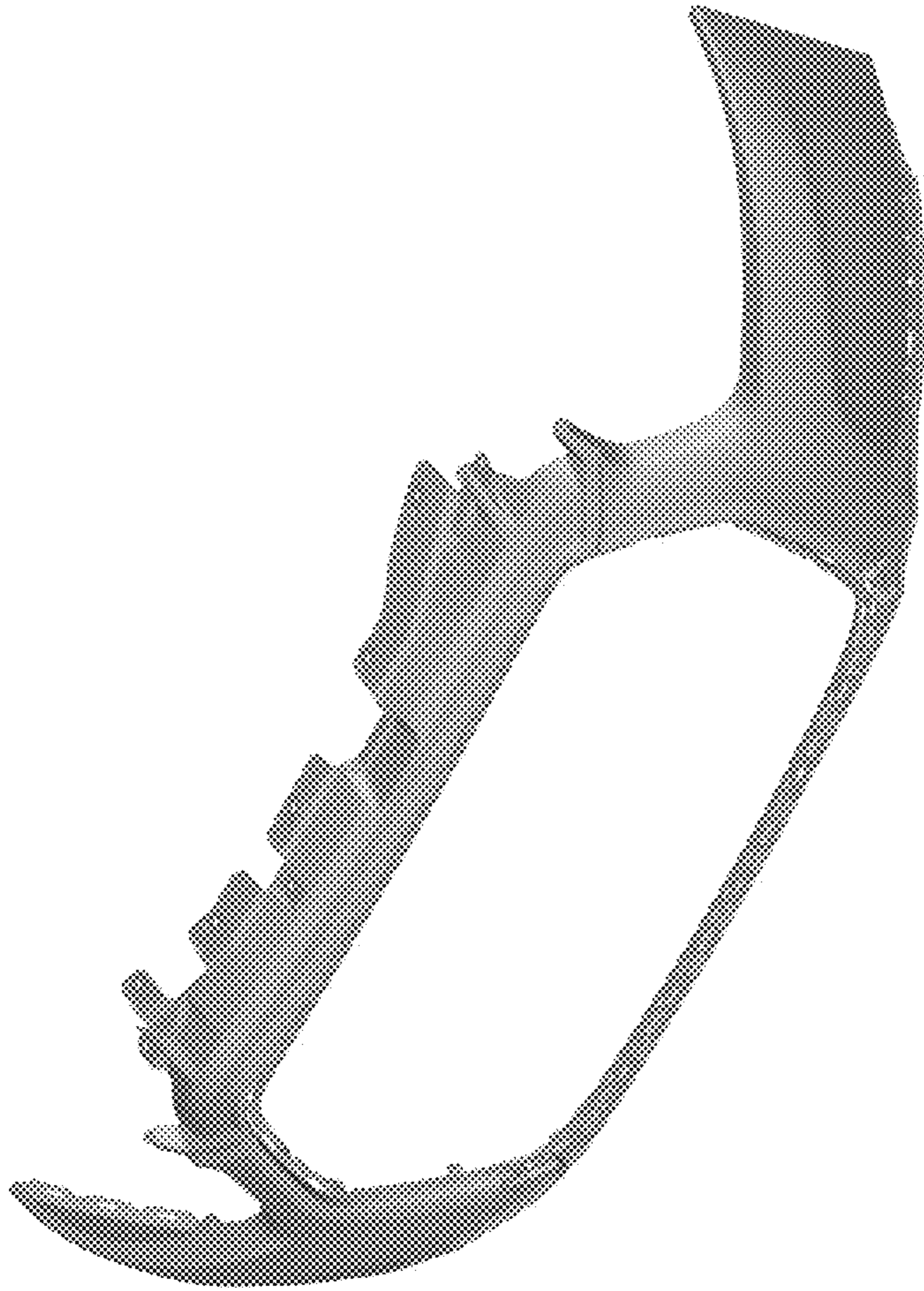


Fig. 7



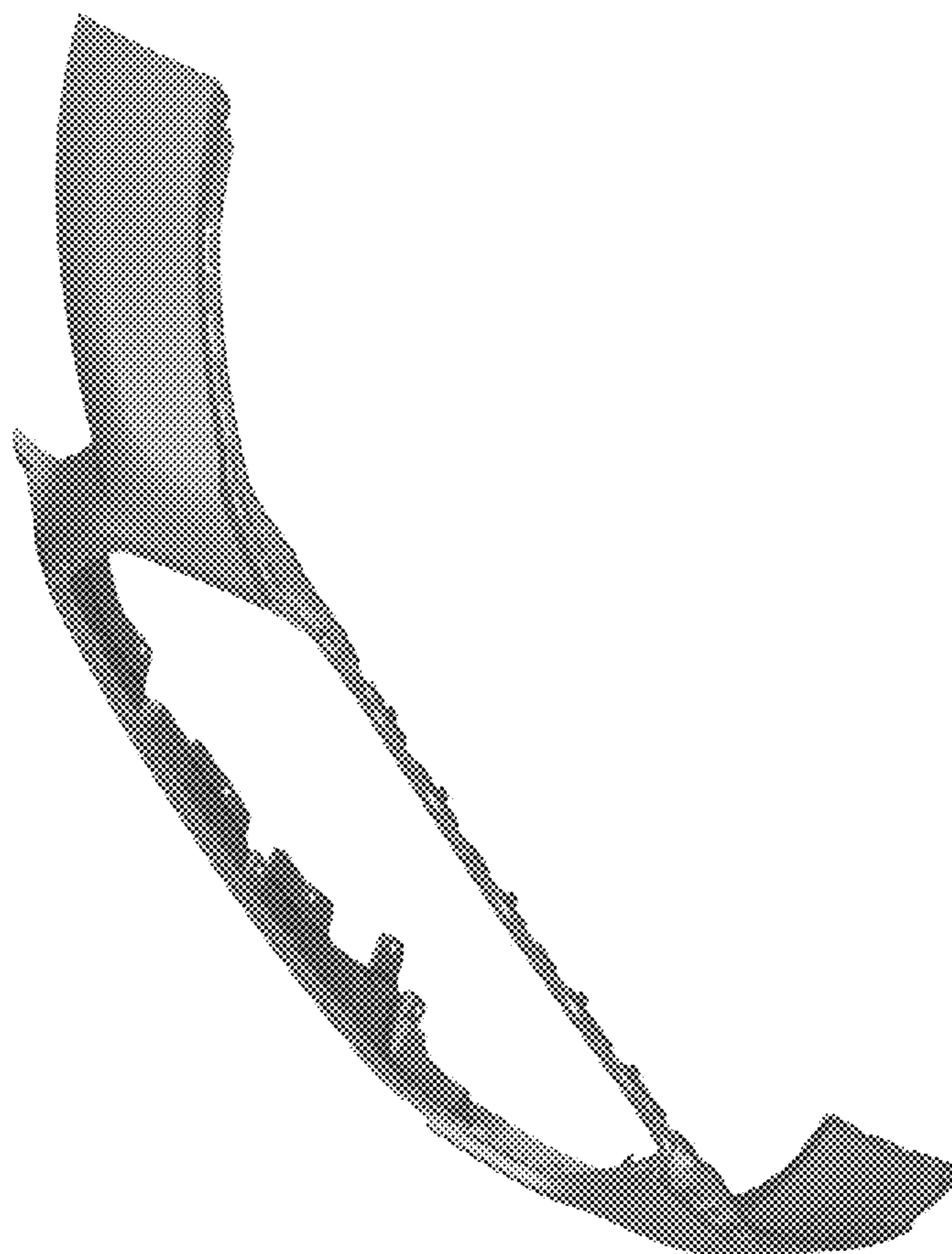


Fig. 8