



US00D902796S

(12) **United States Design Patent** (10) **Patent No.:** **US D902,796 S**  
**Badstuebner et al.** (45) **Date of Patent:** **\*\* Nov. 24, 2020**

(54) **FRONT PORTION OF A VEHICLE, TOY,  
AND/OR REPLICAS THEREOF**

(71) Applicant: **Daimler AG**, Stuttgart (DE)

(72) Inventors: **Achim-Dietrich Badstuebner**, Munich (DE); **Robert Lesnik**, Leonberg (DE); **Peter Riedel**, Holzgerlingen (DE); **Gert Stolz**, Stuttgart (DE)

(73) Assignee: **Daimler AG**, Stuttgart (DE)

(\*\*) Term: **15 Years**

(21) Appl. No.: **29/692,034**

(22) Filed: **May 22, 2019**

(30) **Foreign Application Priority Data**

Nov. 23, 2018 (DE) ..... 40 2018 203 950

(51) **LOC (12) Cl.** ..... **12-16**

(52) **U.S. Cl.**  
USPC ..... **D12/164**

(58) **Field of Classification Search**  
USPC .... D12/86, 90-92, 164; D21/424, 433, 434;  
296/181.1-181.5, 183.1  
CPC ..... B62D 25/00; B62D 25/06; B62D 33/00;  
B62D 35/00  
See application file for complete search history.

(56) **References Cited**

U.S. PATENT DOCUMENTS

D744,383 S \* 12/2015 Futschik ..... D12/164  
D761,159 S \* 7/2016 Lesnik ..... D12/92  
D769,774 S \* 10/2016 Lesnik ..... D12/92  
D798,770 S 10/2017 Lesnik  
D799,377 S 10/2017 Lesnik

D799,378 S 10/2017 Lee et al.  
D808,305 S \* 1/2018 Badstuebner ..... D12/92  
D824,808 S \* 8/2018 Badstuebner ..... D12/92  
D827,514 S \* 9/2018 Badstuebner ..... D12/164  
D836,490 S \* 12/2018 Futschik ..... D12/92  
D859,216 S \* 9/2019 Badstuebner ..... D12/92  
D867,212 S \* 11/2019 Badstuebner ..... D12/91  
D873,716 S \* 1/2020 Badstuebner ..... D12/91  
D888,623 S \* 6/2020 Vidojkovic ..... D12/164  
D888,624 S \* 6/2020 Badstuebner ..... D12/164

\* cited by examiner

Primary Examiner — Melody N Brown

(74) Attorney, Agent, or Firm — Crowell & Moring LLP

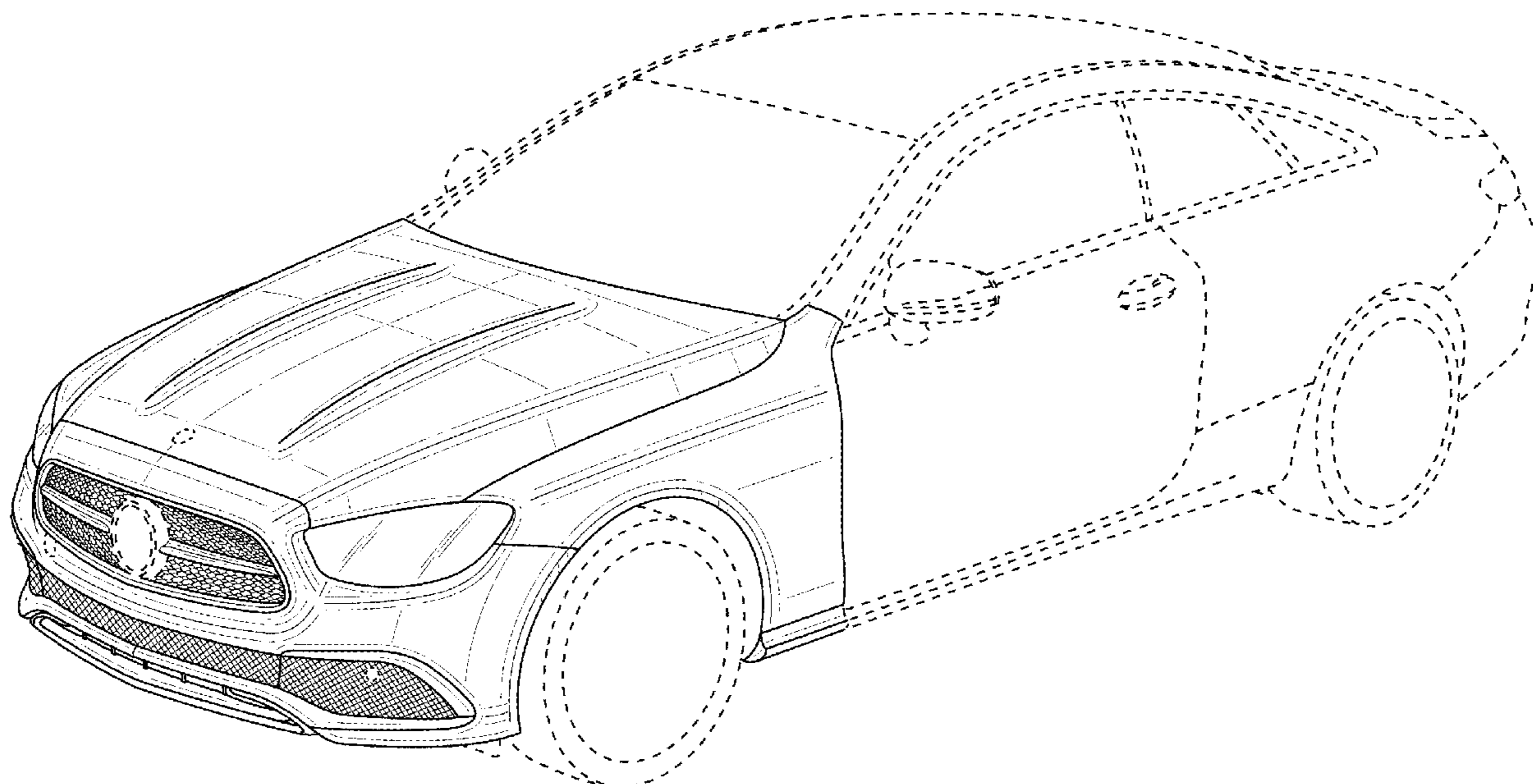
(57) **CLAIM**

The ornamental design for a front portion of a vehicle, toy, and/or replicas thereof, as shown and described.

**DESCRIPTION**

This application contains subject matter related to the following co-pending U.S. design patent applications: Application Ser. No. 29/691,562, filed May 17, 2019 and entitled "FRONT PORTION OF A VEHICLE, TOY, AND/OR REPLICAS THEREOF;" and Application Ser. No. 29/691,564, filed May 17, 2019 and entitled "HEADLIGHT FOR A VEHICLE."  
FIG. 1 is a right, front perspective view of a front portion of a vehicle, toy, and/or replicas thereof according to the design;  
FIG. 2 is a right, rear perspective view thereof;  
FIG. 3 is a front view thereof;  
FIG. 4 is a left side view thereof; and,  
FIG. 5 is a top view thereof.  
The broken lines in the drawings illustrate environmental subject matter only and form no part of the claimed design.

**1 Claim, 5 Drawing Sheets**



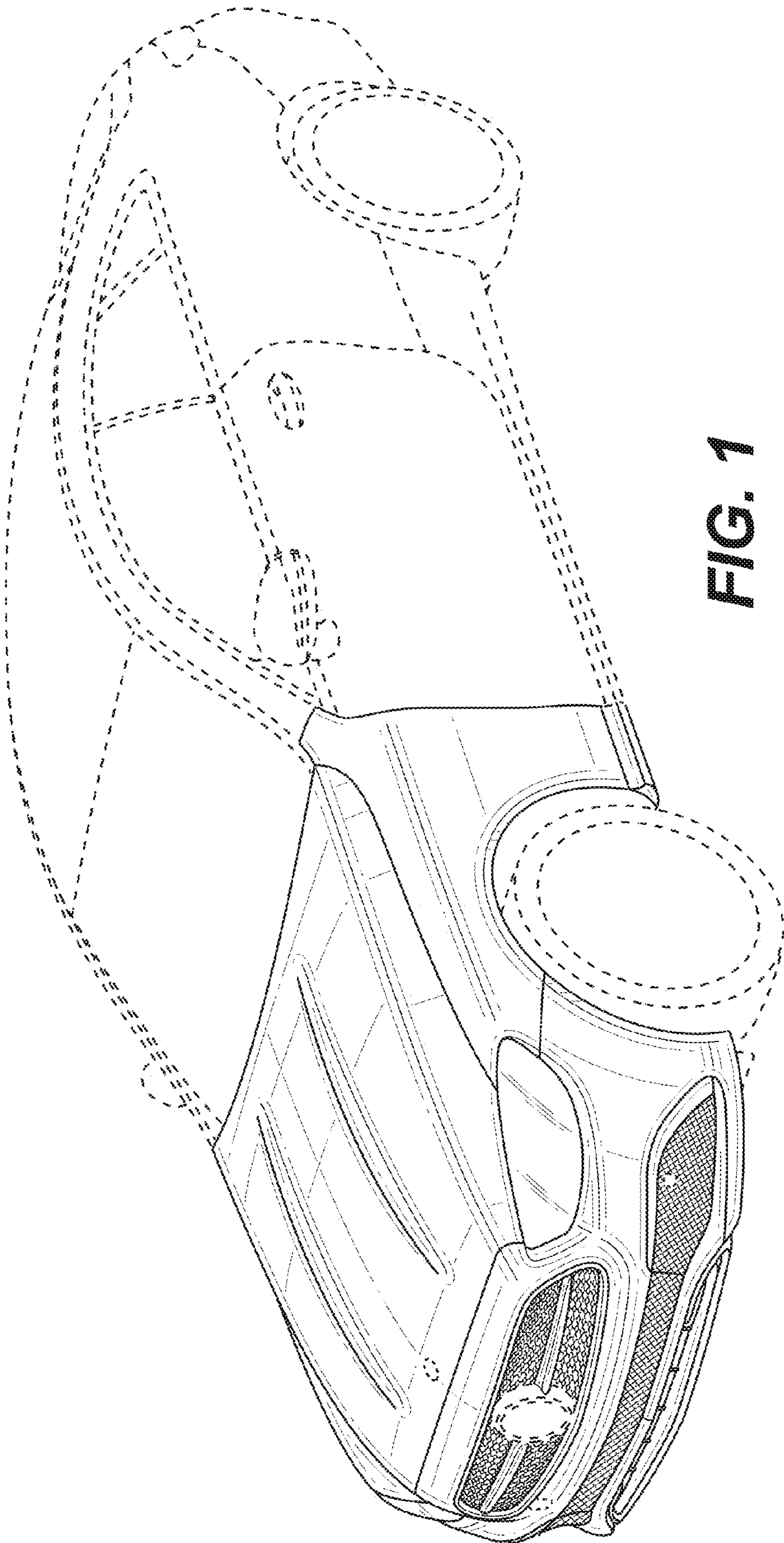
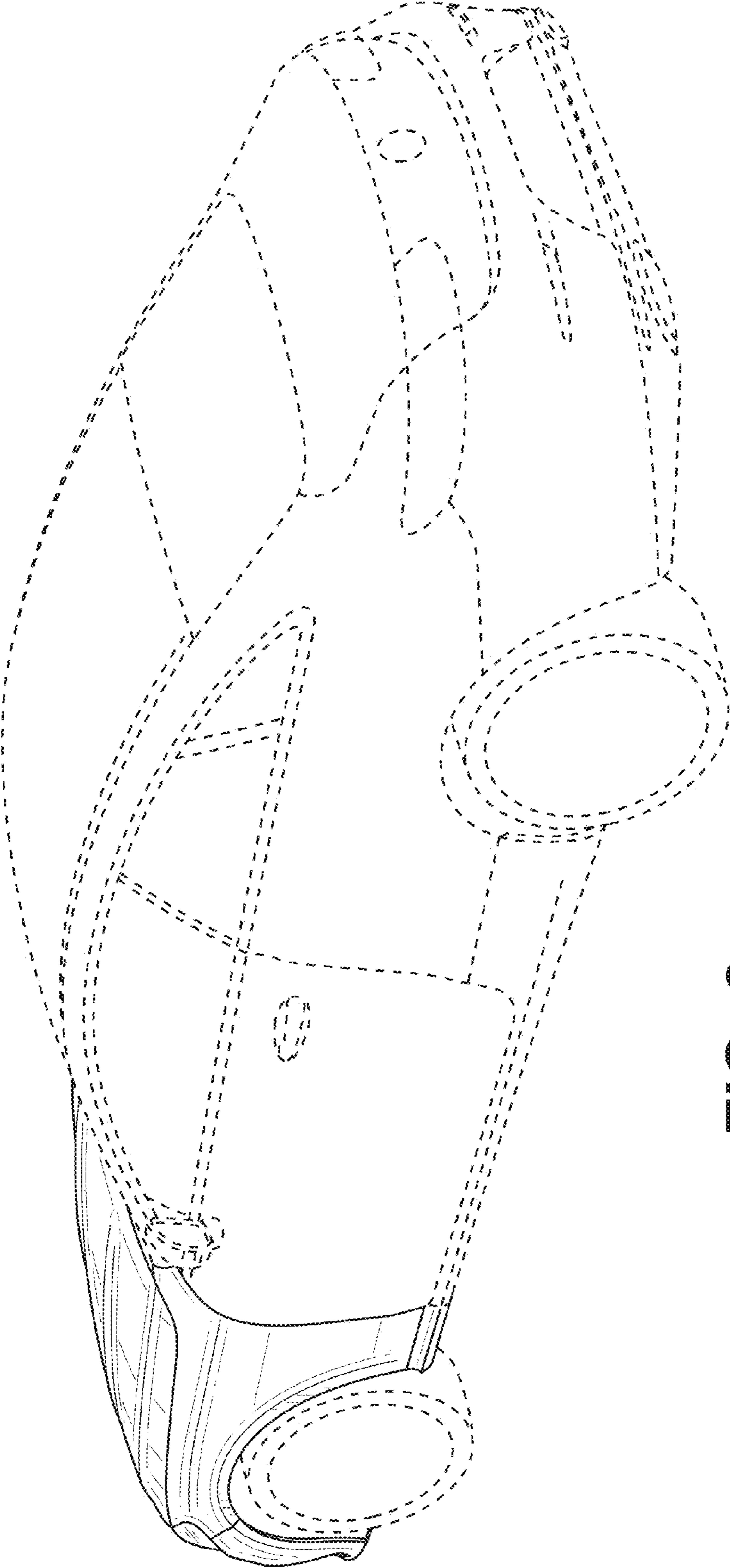
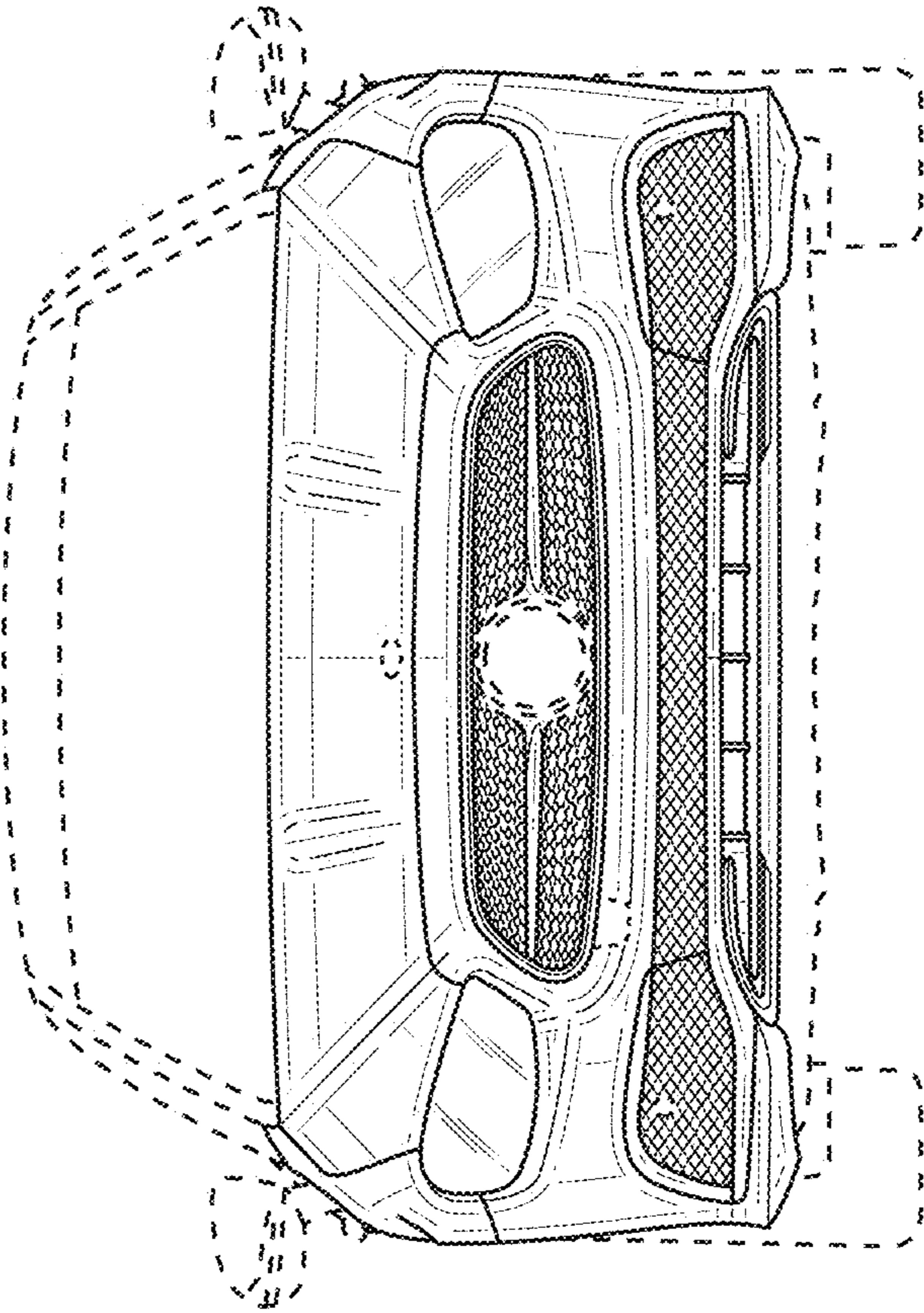


FIG. 1

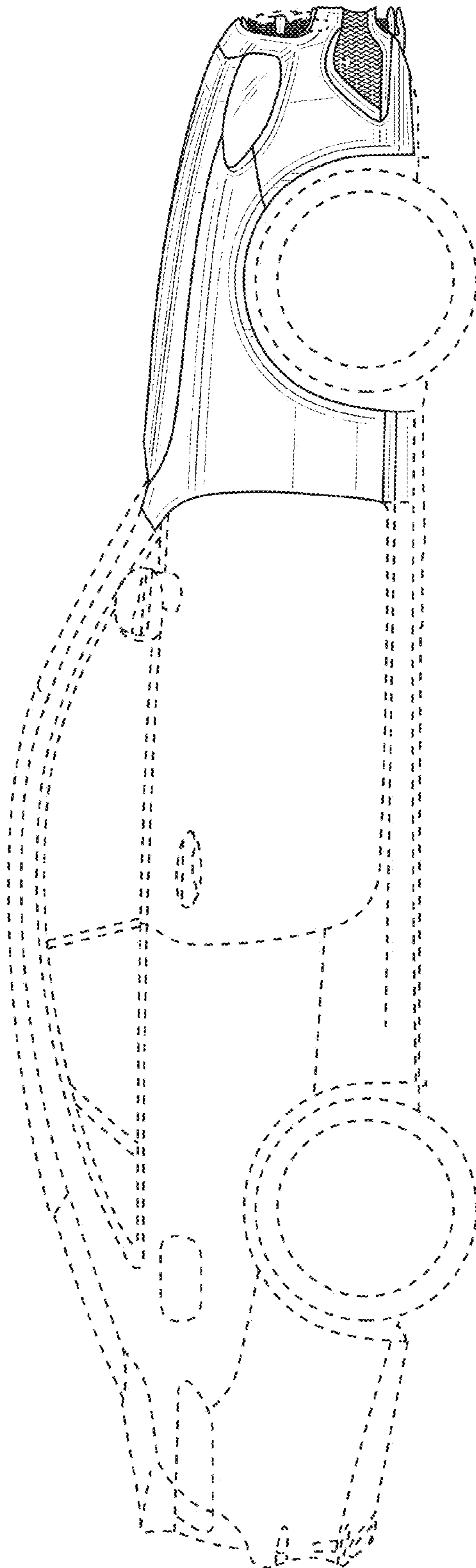




**FIG. 2**



**FIG. 3**



**FIG. 4**

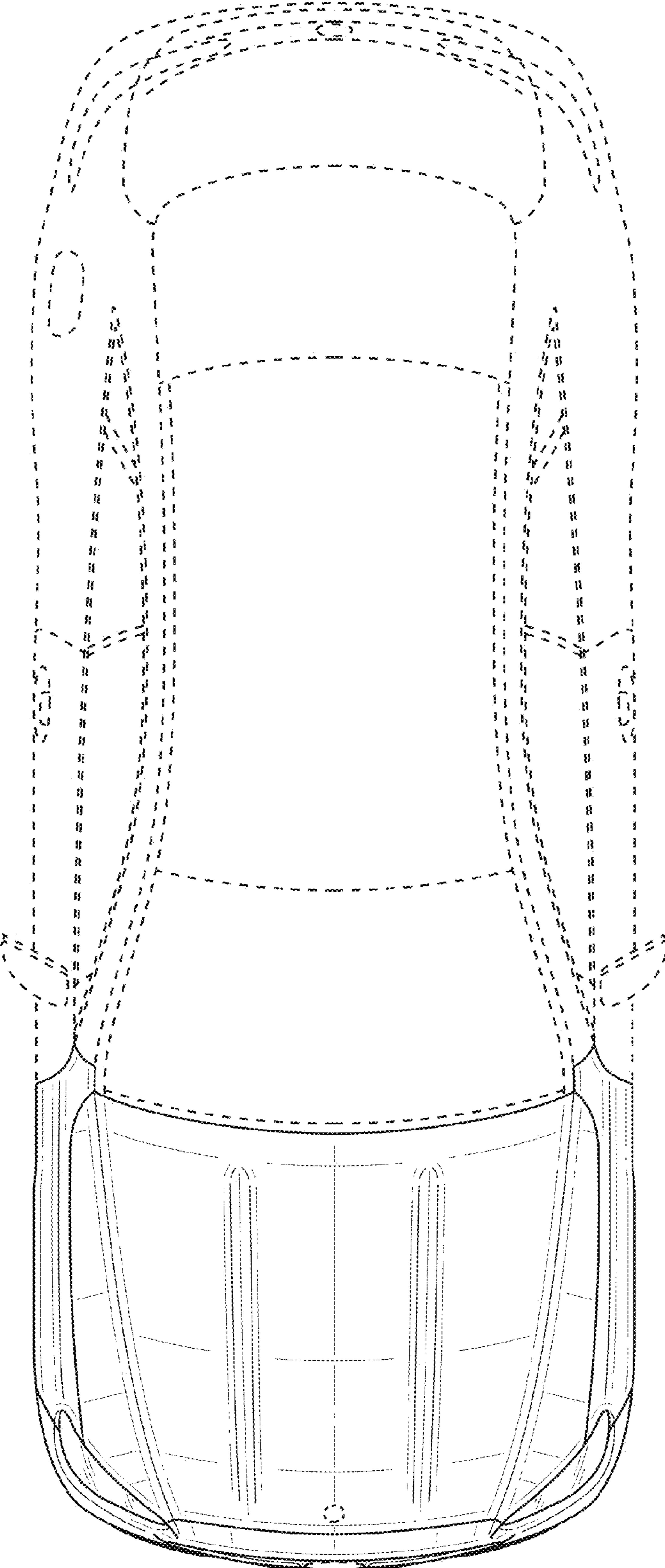


FIG. 5