



US00D902792S

(12) **United States Design Patent**
Farmer et al.

(10) **Patent No.:** **US D902,792 S**

(45) **Date of Patent:** **** Nov. 24, 2020**

(54) **VEHICLE CHASSIS**

(71) Applicant: **Applied Electric Vehicles Pty Ltd,**
Melbourne (AU)

(72) Inventors: **Nicholas Farmer,** Croydon South
(AU); **Julian Broadbent,** Croydon
South (AU)

(73) Assignee: **Applied Electric Vehicles Pty Ltd,**
Melbourne (AU)

(**) Term: **15 Years**

(21) Appl. No.: **29/689,391**

(22) Filed: **Apr. 29, 2019**

(30) **Foreign Application Priority Data**

Nov. 2, 2018 (AU) 201816585

(51) **LOC (12) Cl.** **12-16**

(52) **U.S. Cl.**
USPC **D12/159**

(58) **Field of Classification Search**
USPC D12/159
CPC B60G 2300/45; B60G 2204/15
See application file for complete search history.

(56) **References Cited**

U.S. PATENT DOCUMENTS

D485,787 S * 1/2004 Smith D12/101
2017/0120951 A1 * 5/2017 Ashraf B62D 27/023

2017/0151870 A1 * 6/2017 Gong B60K 1/02
2018/0118265 A1 * 5/2018 Gallier B62D 29/002
2018/0251102 A1 * 9/2018 Han H01M 2/345
2019/0255901 A1 * 8/2019 Brandt B62D 33/0604

FOREIGN PATENT DOCUMENTS

EP 3127784 B1 * 11/2019
WO WO-2018214237 A1 * 11/2018 B60K 1/04
WO WO-2019100395 A1 * 5/2019 B60K 1/04

* cited by examiner

Primary Examiner — Michael A. Pratt

(74) *Attorney, Agent, or Firm* — Banner & Witcoff, Ltd.

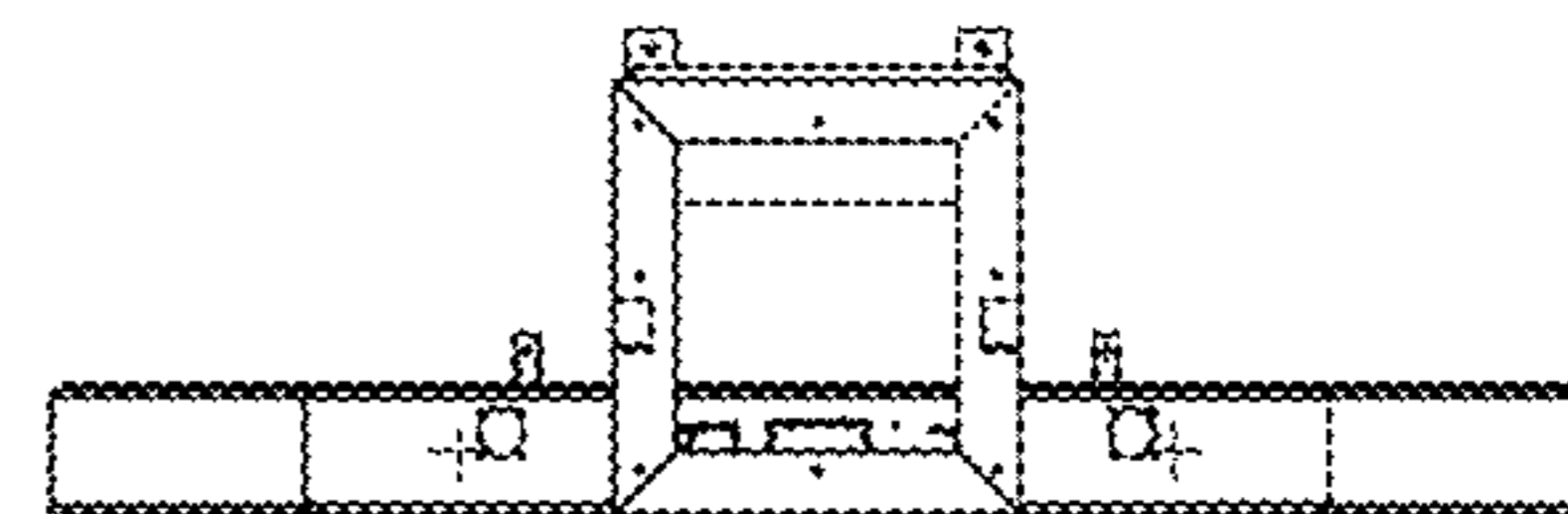
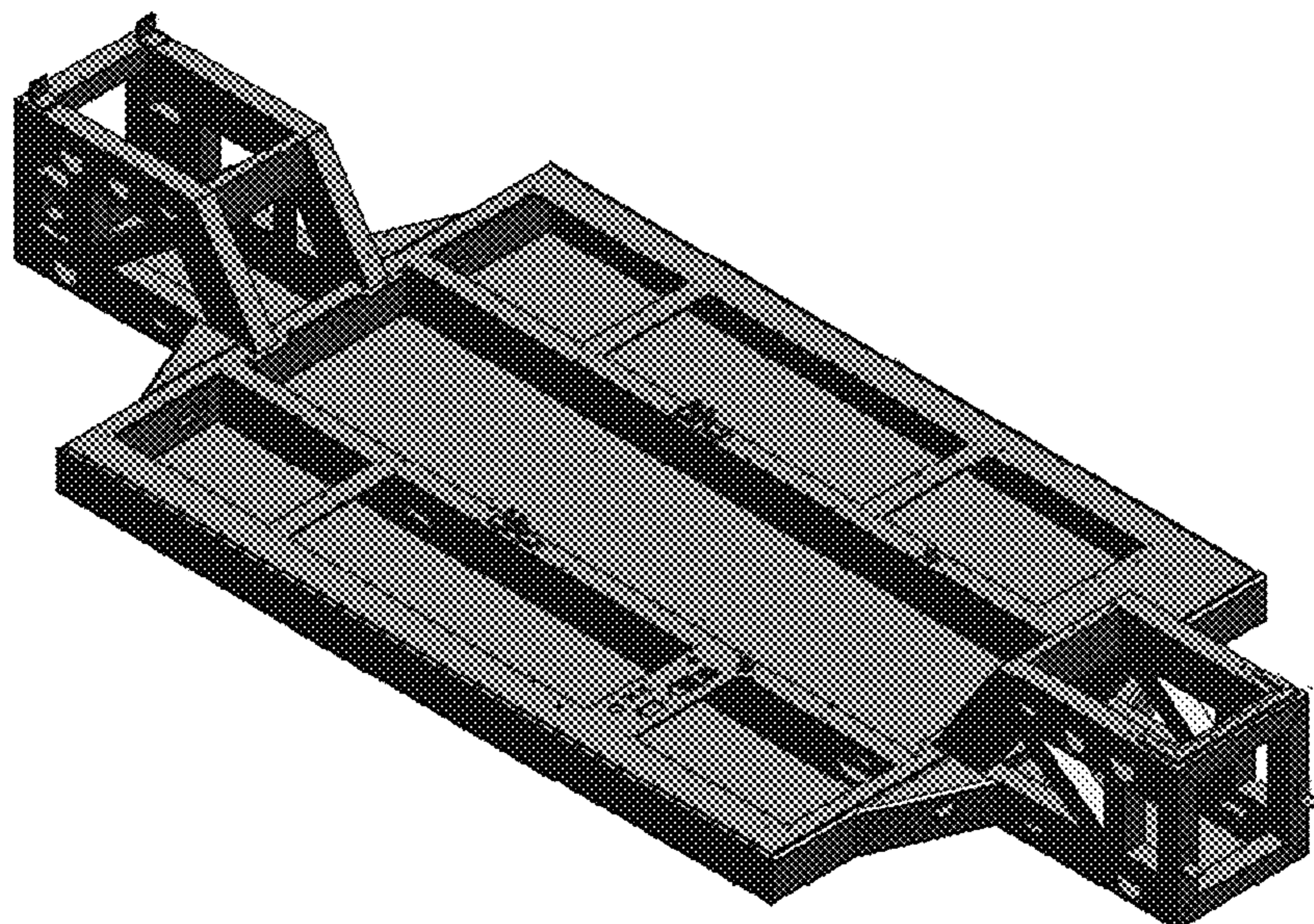
(57) **CLAIM**

The ornamental design for a vehicle chassis, as shown and described.

DESCRIPTION

FIG. 1 is a perspective view of a vehicle chassis showing our new design;
FIG. 2 is a top view thereof;
FIG. 3 is a right side view thereof, the left side view being a mirror image thereof;
FIG. 4 is a rear view thereof; the front view being a substantial mirror image thereof; and,
FIG. 5 is a bottom view thereof.

1 Claim, 4 Drawing Sheets



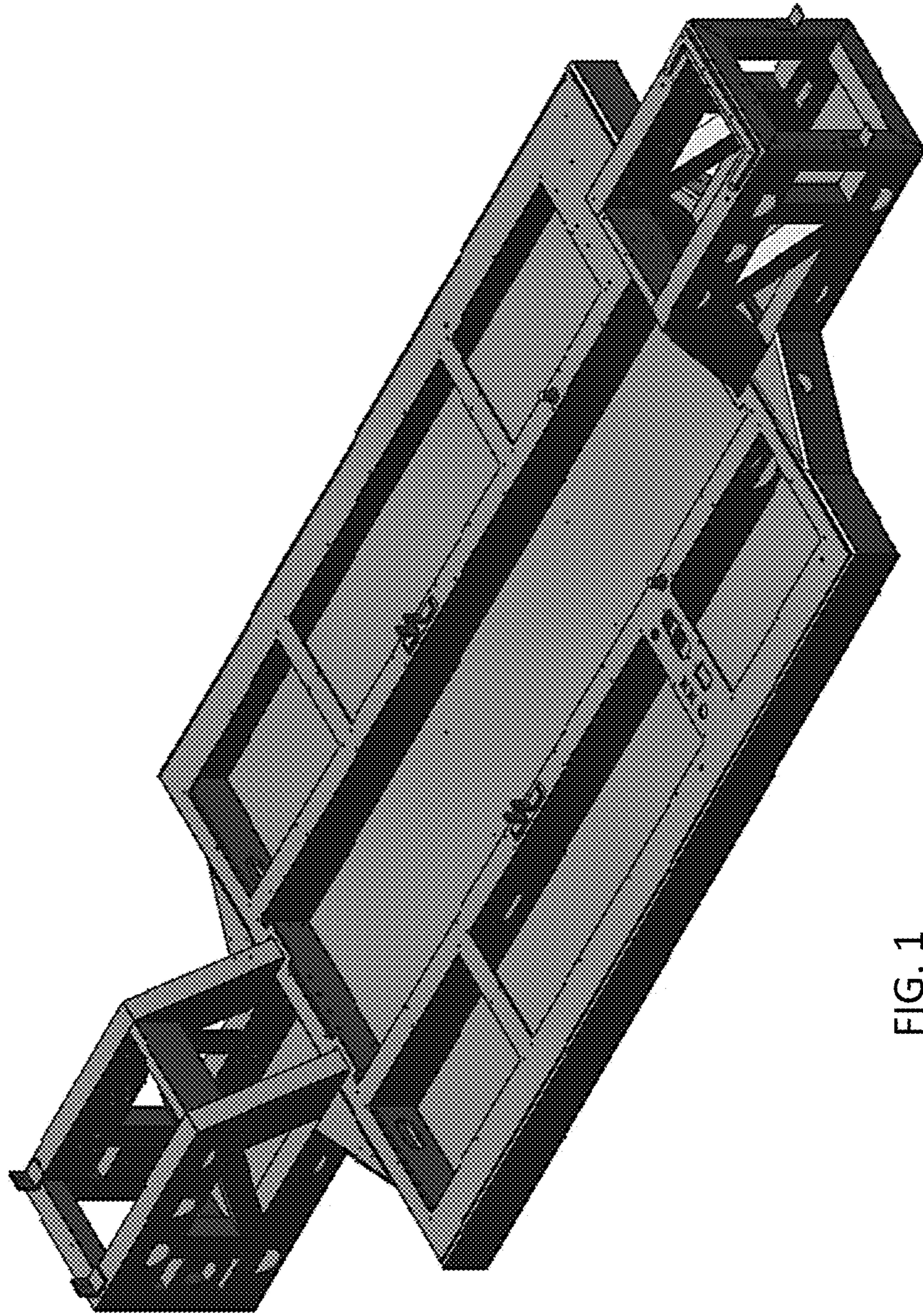


FIG. 1

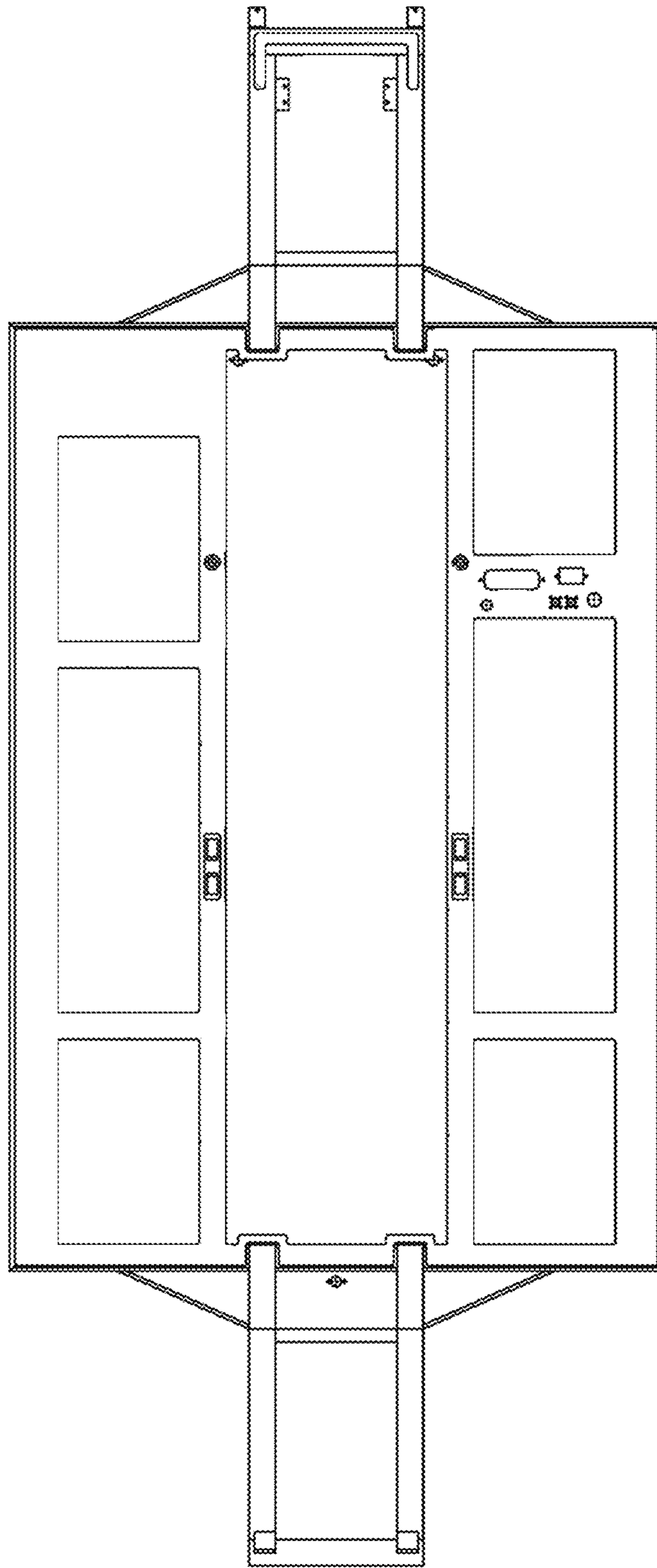


FIG. 2

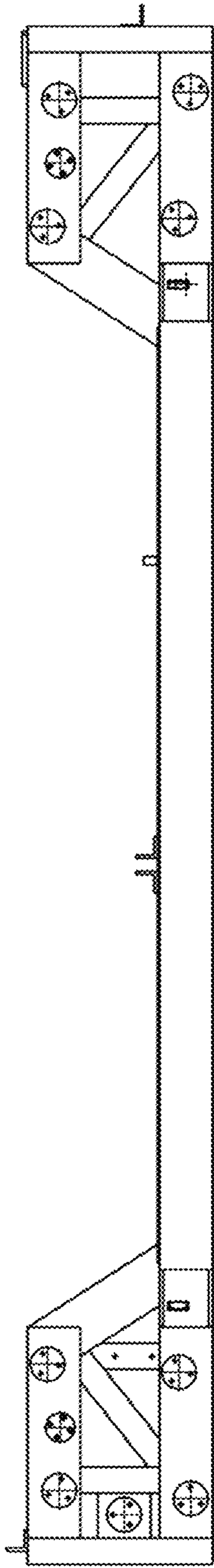


FIG. 3

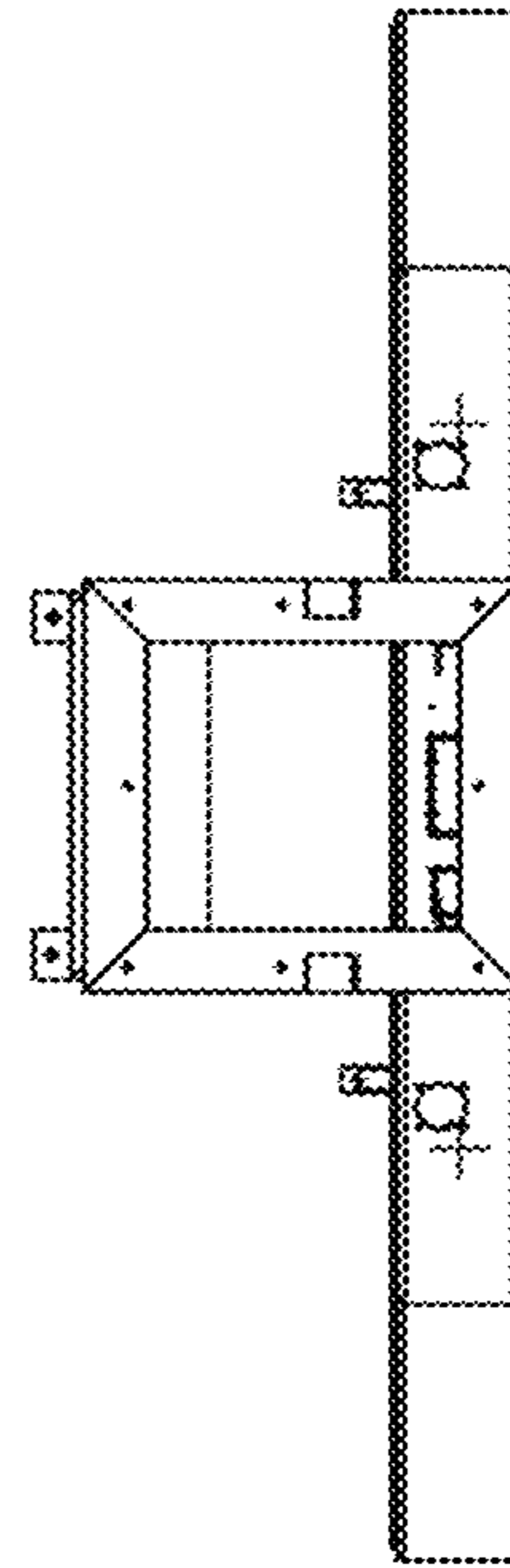


FIG. 4

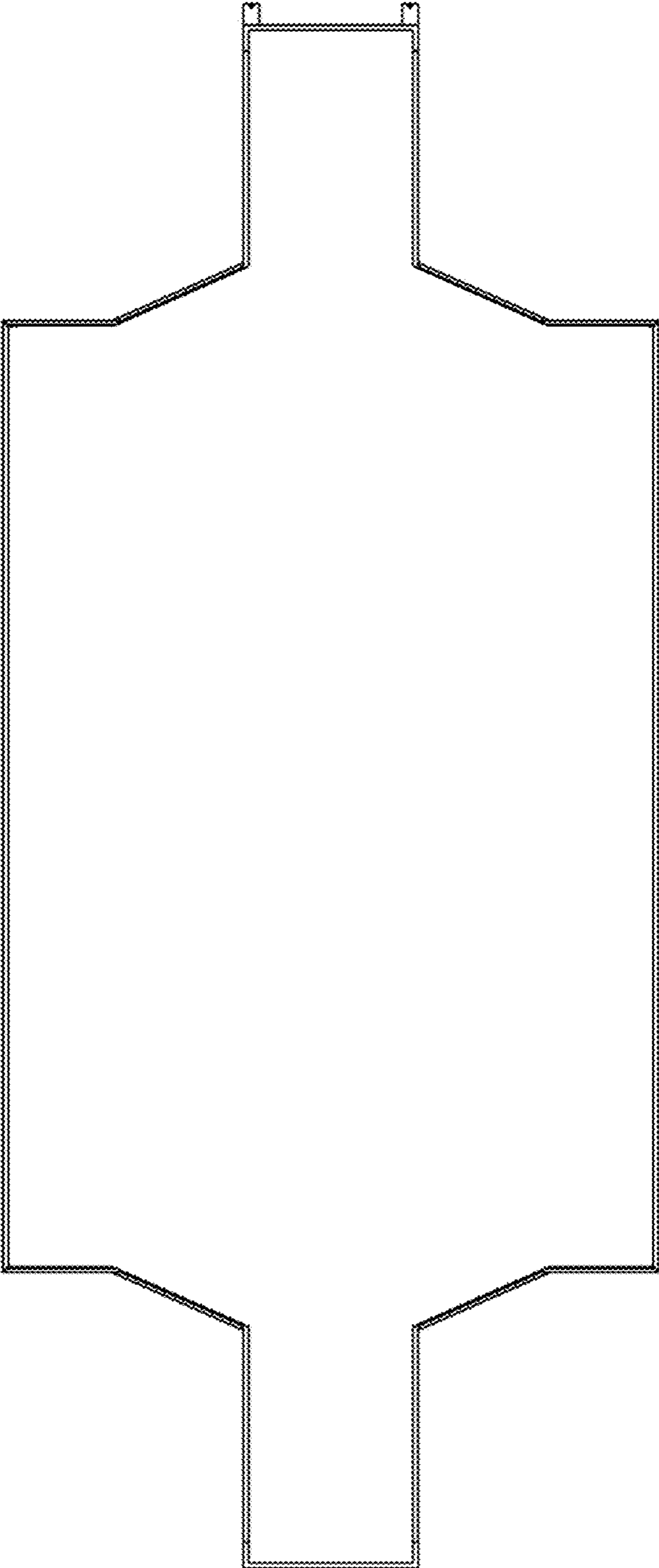


FIG. 5