



US00D902791S

(12) **United States Design Patent** (10) **Patent No.:** **US D902,791 S**
Fellingham et al. (45) **Date of Patent:** **** Nov. 24, 2020**

(54) **WHEELED WALKER**

(71) Applicant: **ProtoStar, Inc., a Delaware Corporation**, San Diego, CA (US)
 (72) Inventors: **Peter James Fellingham**, San Diego, CA (US); **Craig Timothy Shugert**, Rancho Santa Fe, CA (US); **Yichuan Pan**, San Diego, CA (US)
 (73) Assignee: **ProtoStar, Inc., a Delaware Corporation**, San Diego, CA (US)

(**) Term: **15 Years**

(21) Appl. No.: **29/704,280**

(22) Filed: **Sep. 3, 2019**

(51) **LOC (12) Cl.** **12-12**

(52) **U.S. Cl.**
USPC **D12/130**

(58) **Field of Classification Search**
 USPC D12/128–133
 CPC A61H 3/00; A61H 3/04; A61H 2003/001–007; A61H 2003/043; A61H 2003/046
 See application file for complete search history.

(56) **References Cited**

U.S. PATENT DOCUMENTS

3,394,933	A	7/1968	Benoit
3,625,237	A	12/1971	Wertz
4,510,956	A	8/1985	King
4,907,794	A	3/1990	Rose
5,020,560	A	6/1991	Turbeville
5,224,562	A	7/1993	Reed
5,411,044	A	5/1995	Andolfi
5,676,388	A	10/1997	Bertani

(Continued)

FOREIGN PATENT DOCUMENTS

CN	303106952	2/2015
EP	3095431	11/2016

(Continued)

OTHER PUBLICATIONS

Perfect Walker II advertisement, NARFE Magazine, Sep. 2019, 1 page.

(Continued)

Primary Examiner — Charles D Hanson

(74) *Attorney, Agent, or Firm* — Stetina Brunda Garred and Brucker

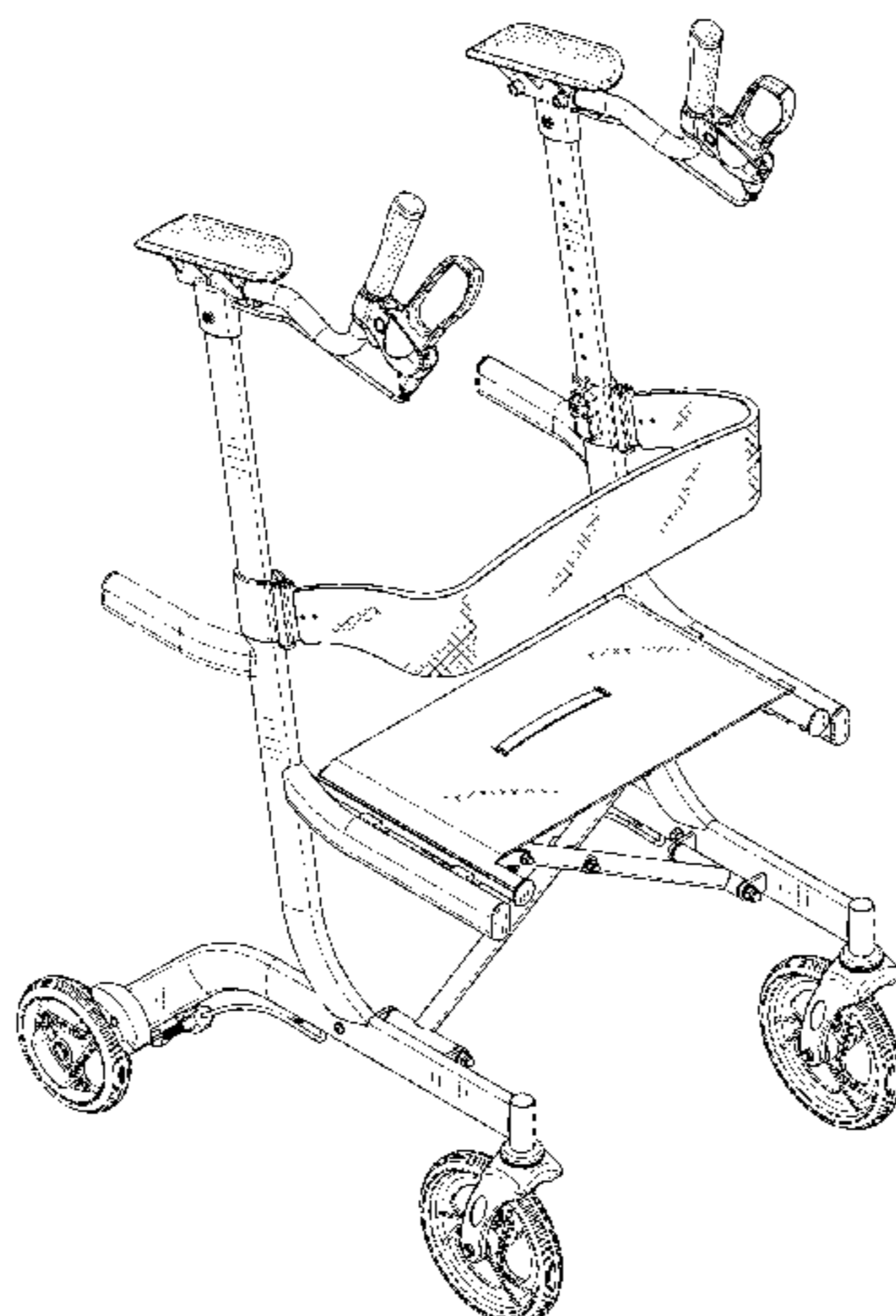
(57) **CLAIM**

The ornamental design for wheeled walker, as shown and described.

DESCRIPTION

FIG. 1 is a front right perspective view of the wheeled walker showing our new design;
 FIG. 2 is a rear right perspective thereof;
 FIG. 3 is a right side view thereof;
 FIG. 4 is a rear view thereof;
 FIG. 5 is a left side view thereof;
 FIG. 6 is a front view thereof;
 FIG. 7 is a top view thereof;
 FIG. 8 is a bottom view thereof;
 FIG. 9 is a front right perspective view showing environment;
 FIG. 10 is a front right perspective view with forearm rests in lowered position;
 FIG. 11 is a rear right perspective view with forearm rests in lowered position;
 FIG. 12 is a front right perspective view in a collapsed configuration; and,
 FIG. 13 is a rear right perspective view in a collapsed configuration.
 The broken lines in FIG. 9 of the drawings form no part of the claimed design.

1 Claim, 12 Drawing Sheets



(56)

References Cited

U.S. PATENT DOCUMENTS

5,702,326 A 12/1997 Renteria
 6,048,292 A 4/2000 Gasquez
 6,099,002 A 8/2000 Uchiyama
 6,494,469 B1 12/2002 Hara et al.
 6,733,018 B2 5/2004 Razon
 6,974,142 B1 12/2005 Shikinami et al.
 7,001,313 B1 2/2006 Crnkovich
 7,052,030 B2 5/2006 Serhan
 7,108,004 B2 9/2006 Cowie et al.
 7,111,856 B1 9/2006 Graham
 7,275,554 B2 10/2007 Mulholland
 D561,065 S 2/2008 Kindberg et al.
 7,377,285 B2 5/2008 Karasin et al.
 7,494,138 B2 2/2009 Graham
 7,559,560 B2 7/2009 Li et al.
 7,568,712 B2 8/2009 Kovachi et al.
 7,669,863 B2 5/2010 Steiner et al.
 7,708,120 B2 5/2010 Einbinder
 7,866,677 B1 1/2011 Rothstein et al.
 7,992,584 B1 8/2011 Birnbaum
 D654,833 S 2/2012 Pettersson et al.
 8,151,812 B2 4/2012 Razon
 8,215,652 B2 7/2012 Dashew et al.
 8,251,079 B1 8/2012 Lutz et al.
 8,468,622 B2 6/2013 Purwar et al.
 8,540,256 B1 9/2013 Simpson
 8,562,007 B2 10/2013 Menichini
 8,740,242 B2 6/2014 Slomp
 8,770,212 B2 7/2014 Alghazi
 8,840,124 B2 9/2014 Serhan et al.
 8,998,223 B2 4/2015 Chang
 9,016,297 B2 4/2015 Salomon
 D739,314 S * 9/2015 Wang D12/130
 9,149,408 B2 10/2015 Karlovich
 9,173,802 B2 11/2015 Willis
 9,180,066 B2 11/2015 Izard et al.
 9,221,433 B2 12/2015 Dunlap
 9,226,868 B2 * 1/2016 Andersen A61H 3/04
 9,289,347 B2 3/2016 Powell
 D754,034 S * 4/2016 Wang D12/130
 D754,568 S * 4/2016 Wang D12/130
 9,314,395 B1 4/2016 Vanausdall
 9,339,432 B2 5/2016 Liu et al.
 9,381,132 B2 * 7/2016 Chen A61H 3/04
 9,585,807 B2 3/2017 Fellingham et al.
 9,662,264 B2 5/2017 Jacobs
 9,687,411 B2 * 6/2017 Chen A61H 3/04
 9,744,094 B2 8/2017 Liu et al.
 9,763,849 B2 * 9/2017 Paterson A61H 3/04
 9,795,825 B2 10/2017 Johnson
 9,839,571 B2 * 12/2017 Pan A61H 3/04
 D807,793 S * 1/2018 Paterson D12/130
 9,877,889 B2 * 1/2018 Chen A61H 3/00
 9,907,723 B2 * 3/2018 Bisceglia A61H 3/04
 9,968,509 B2 * 5/2018 Andersen A61H 3/04
 9,974,708 B1 * 5/2018 Janeczek A61G 5/0816
 D819,503 S * 6/2018 Huang D12/130
 D836,499 S * 12/2018 Delatorre D12/130
 D837,697 S * 1/2019 Luo D12/130
 D845,841 S * 4/2019 No-Young D12/130
 10,307,321 B2 6/2019 Pan et al.
 D865,575 S * 11/2019 Lin D12/130
 D869,347 S * 12/2019 Huang D12/130

10,543,144 B2 1/2020 Johnson et al.
 D874,351 S * 2/2020 Fellingham D12/130
 10,555,866 B2 2/2020 Pan et al.
 10,583,065 B1 3/2020 Mejia
 10,617,592 B2 * 4/2020 Fellingham A61H 3/04
 2001/0048206 A1 12/2001 Niu et al.
 2003/0137119 A1 7/2003 Razon
 2005/0156395 A1 7/2005 Bohn
 2005/0211285 A1 9/2005 Cowie et al.
 2007/0170699 A1 * 7/2007 Li A61H 3/04
 280/642
 2007/0204429 A1 9/2007 Cheng
 2009/0224499 A1 9/2009 Dashew et al.
 2013/0319488 A1 12/2013 Chiu
 2014/0125037 A1 * 5/2014 Andersen A61H 3/04
 280/639
 2014/0265256 A1 9/2014 Rothstein et al.
 2014/0333040 A1 * 11/2014 Liu A61H 3/04
 280/42
 2015/0173994 A1 6/2015 Chen
 2015/0216757 A1 8/2015 Powell et al.
 2015/0320633 A1 11/2015 Jacobs
 2016/0120731 A1 5/2016 Vanausdall
 2016/0287465 A1 10/2016 Rabin et al.
 2016/0296409 A1 10/2016 Schraudolph et al.
 2016/0331626 A1 11/2016 Fellingham et al.
 2017/0008544 A1 1/2017 Kindberg
 2017/0065479 A1 5/2017 Fellingham et al.
 2017/0175997 A1 6/2017 Rosenblum
 2017/0231857 A1 8/2017 Vanausdall
 2017/0258664 A1 9/2017 Purcell
 2018/0250189 A1 9/2018 Johnson
 2018/0360686 A1 12/2018 Fellingham et al.
 2019/0105220 A1 4/2019 Pan et al.
 2019/0105221 A1 4/2019 Pan et al.
 2019/0105222 A1 4/2019 Fellingham et al.
 2019/0183719 A1 6/2019 Koscielski et al.
 2019/0209418 A1 7/2019 Vanausdall
 2019/0231632 A1 8/2019 Hoekelmann et al.
 2019/0254918 A1 8/2019 Fellingham et al.
 2019/0365592 A1 12/2019 Norton et al.
 2020/0078257 A1 3/2020 Miller et al.
 2020/0078258 A1 3/2020 Kanaya et al.

FOREIGN PATENT DOCUMENTS

JP 2012019831 A 2/2012
 WO 98/45167 10/1998

OTHER PUBLICATIONS

(User manual), "Nitro Rollator item # RTL 10266," retrieved Mar. 29, 2019, 8 pages, Medical Depot, Inc., Port Washington, New York.
 Alibaba website, "Lightweight Aluminum folding forearm rollator with bag and seat HCT-9102J," https://www.alibaba.com/product-detail/Lightweight-Aluminium-folding-forearm-rollator-with_60744547819.html, Publication date unknown, site visited Sep. 9, 2019.
 HCT Medical website, "Forearm Rollator HCT-9137B," <https://www.hct-medical.com/forearm-rollator-hct-9137b>, Publication date unknown, site visited Sep. 9, 2019.
 Drive Catalog, "Nitro Aluminum Rollator, Hemi Height, 10" Casters," DeVilbiss Healthcare, retrieved Mar. 29, 2019, 2 pages.

* cited by examiner



FIG. 1

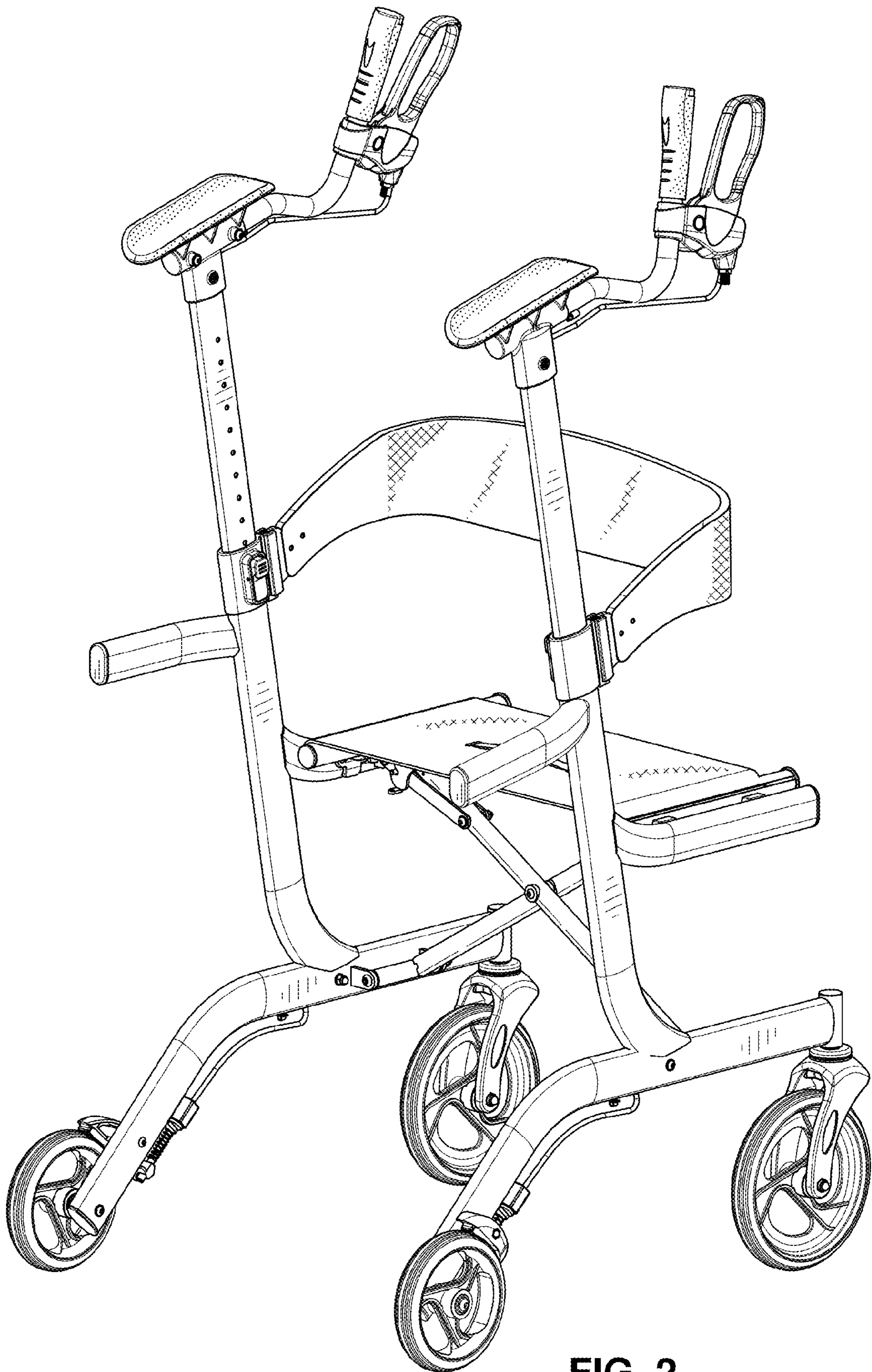


FIG. 2

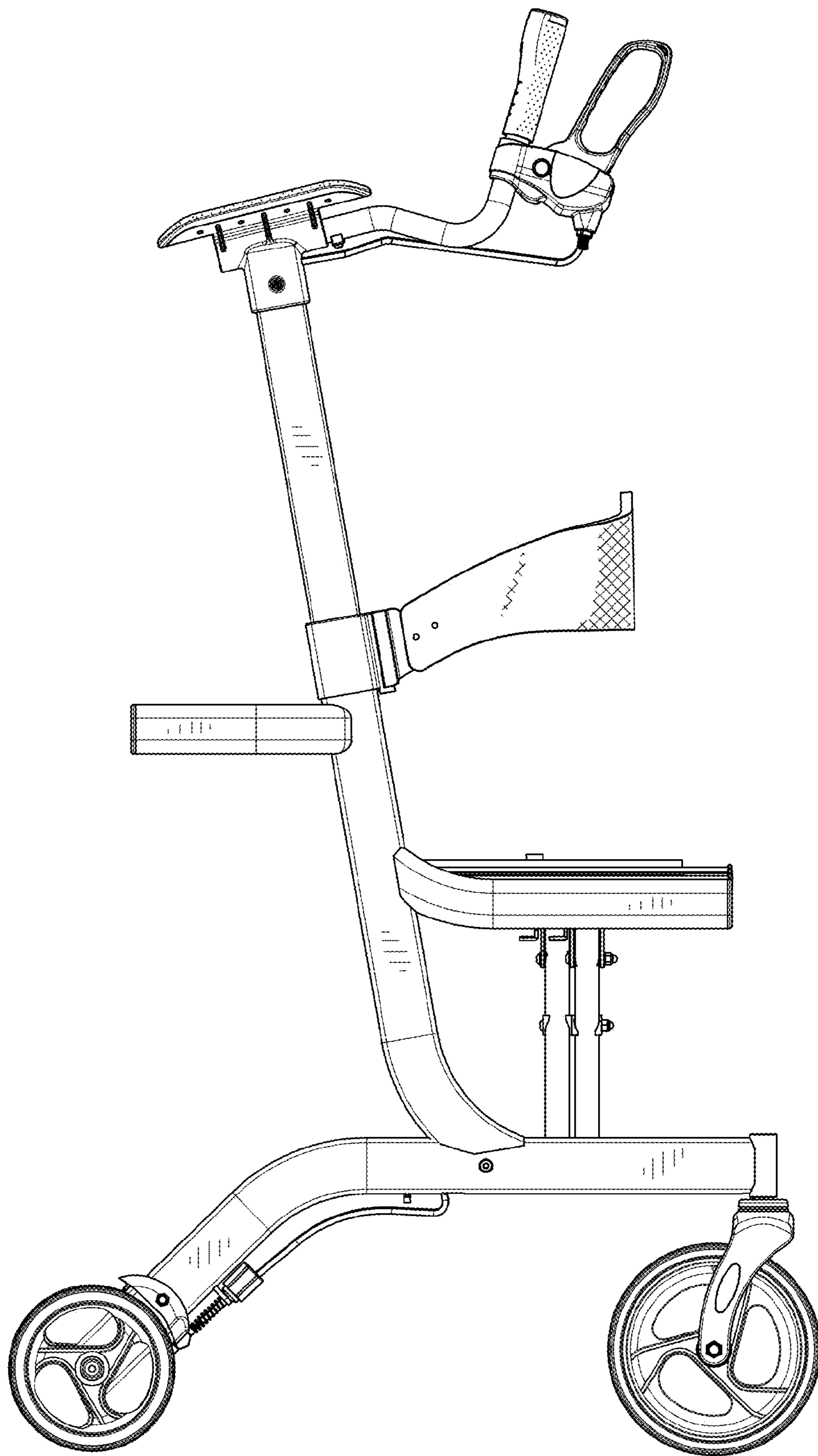


FIG. 3

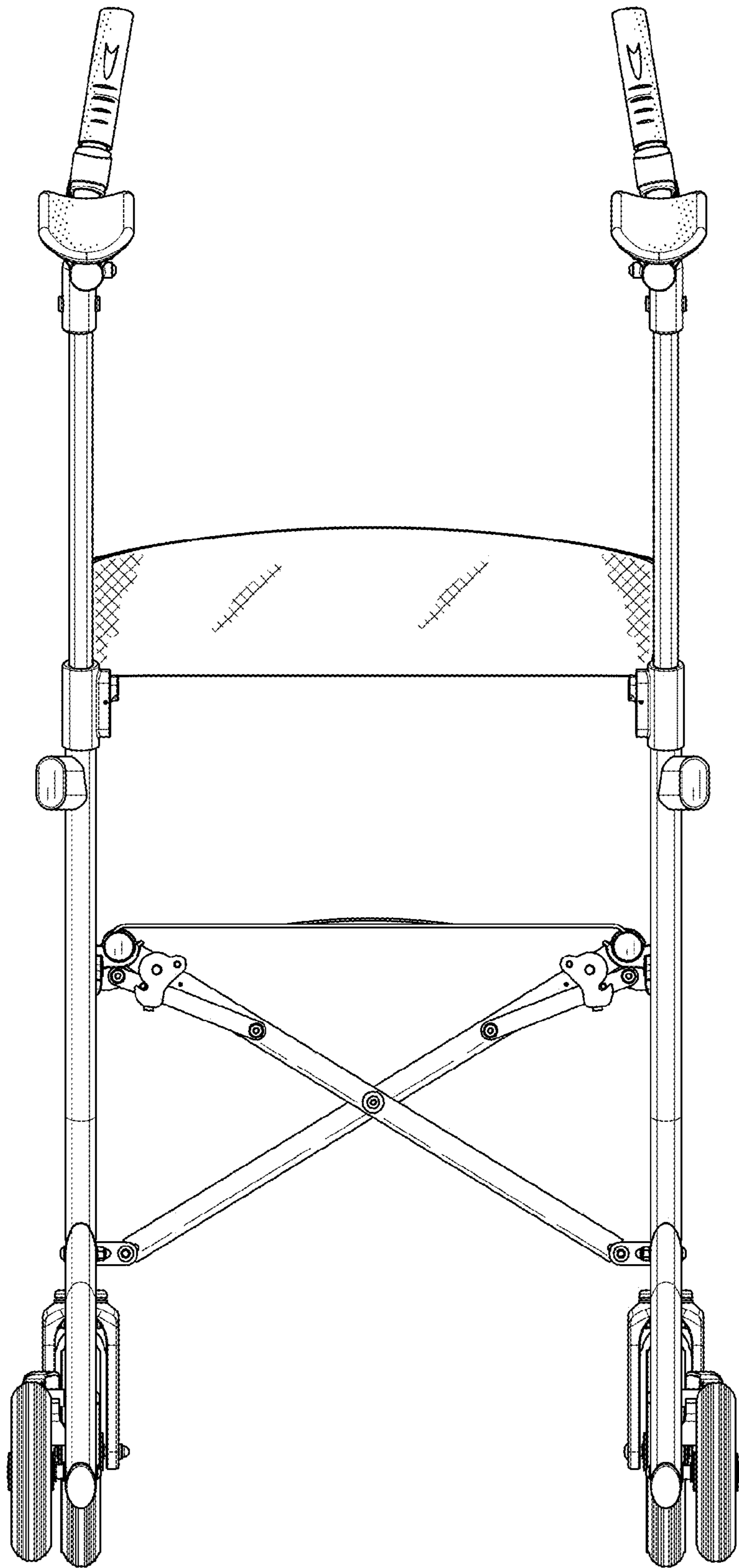


FIG. 4

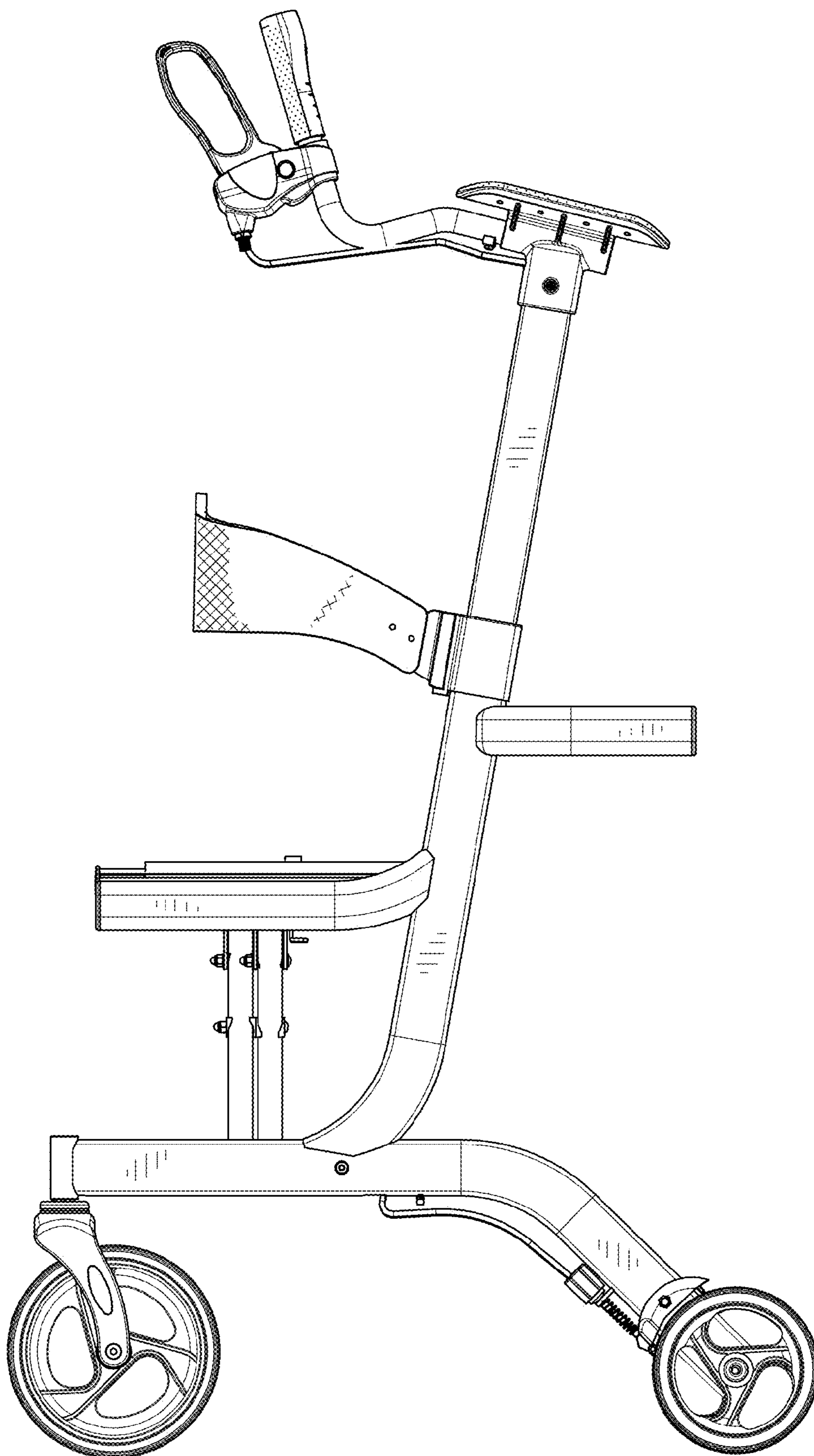


FIG. 5

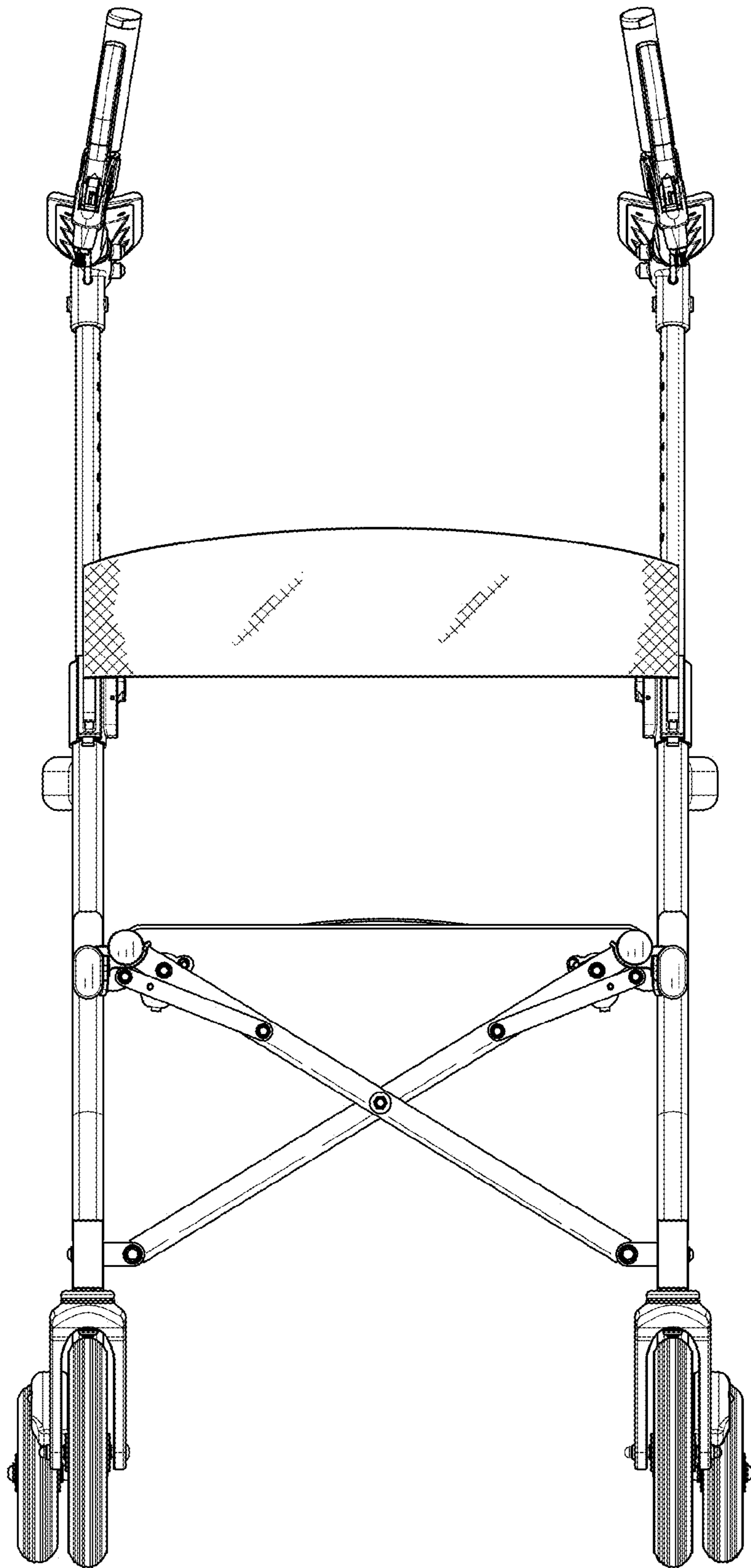


FIG. 6

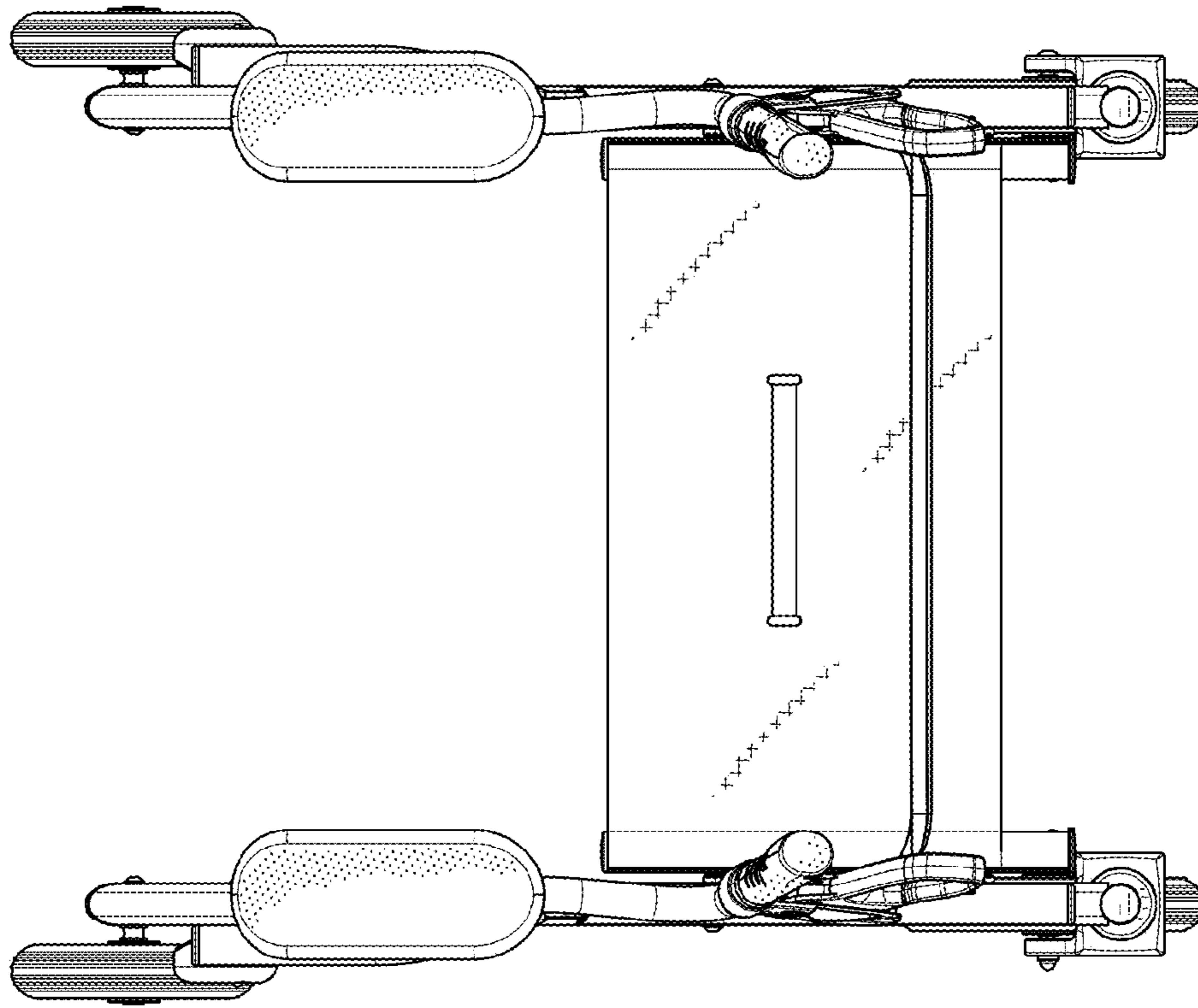


FIG. 7

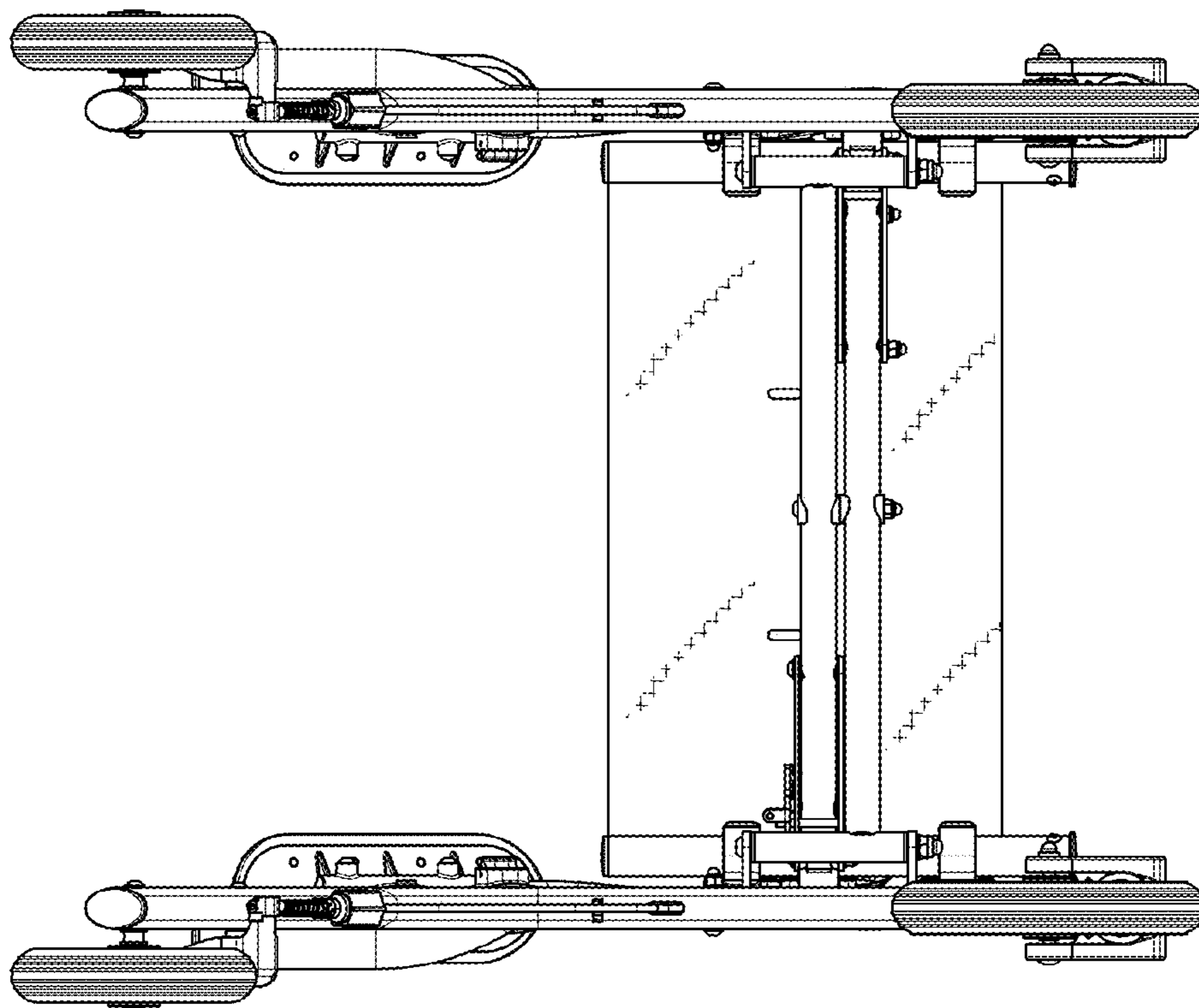


FIG. 8

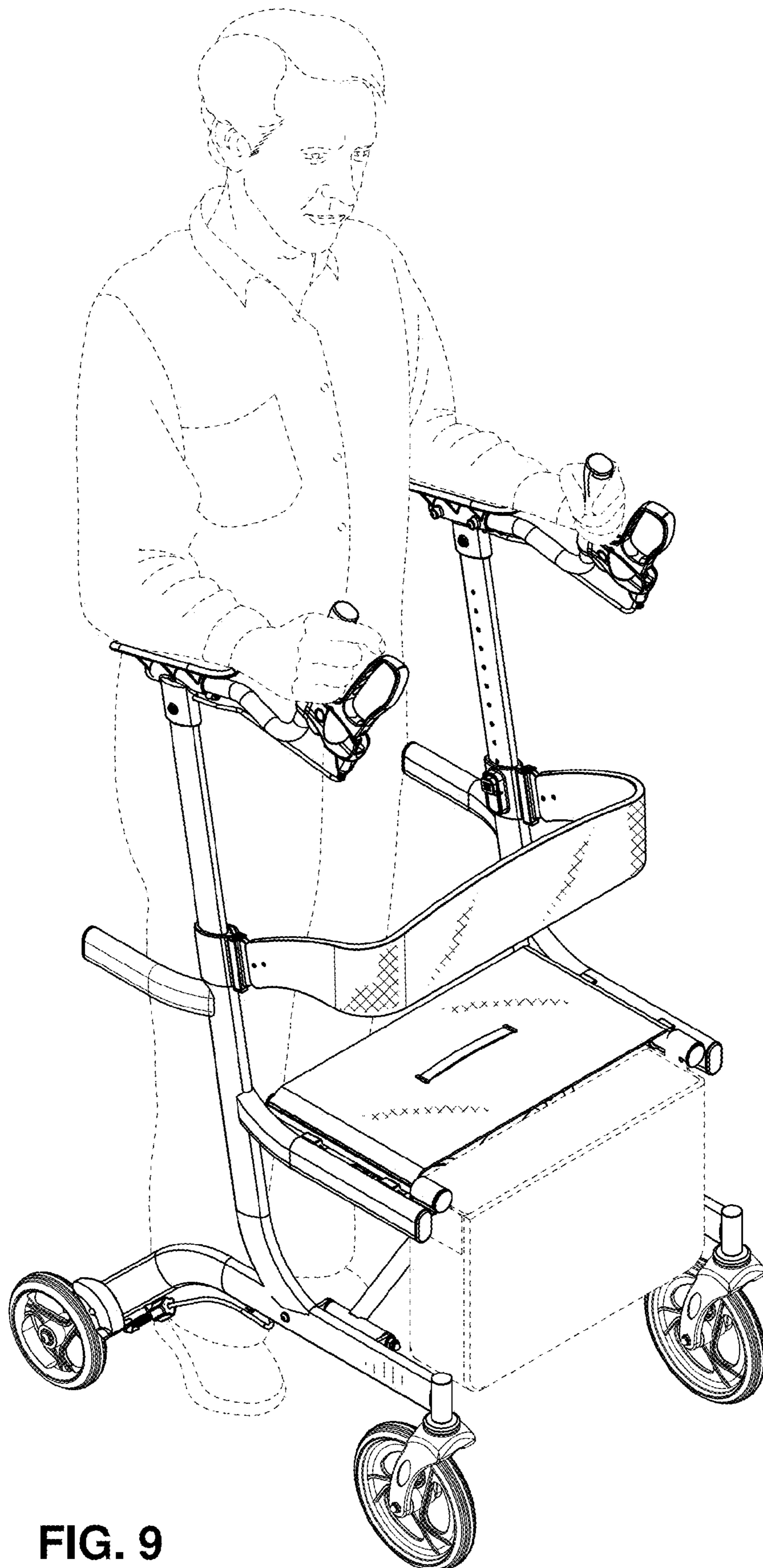


FIG. 9

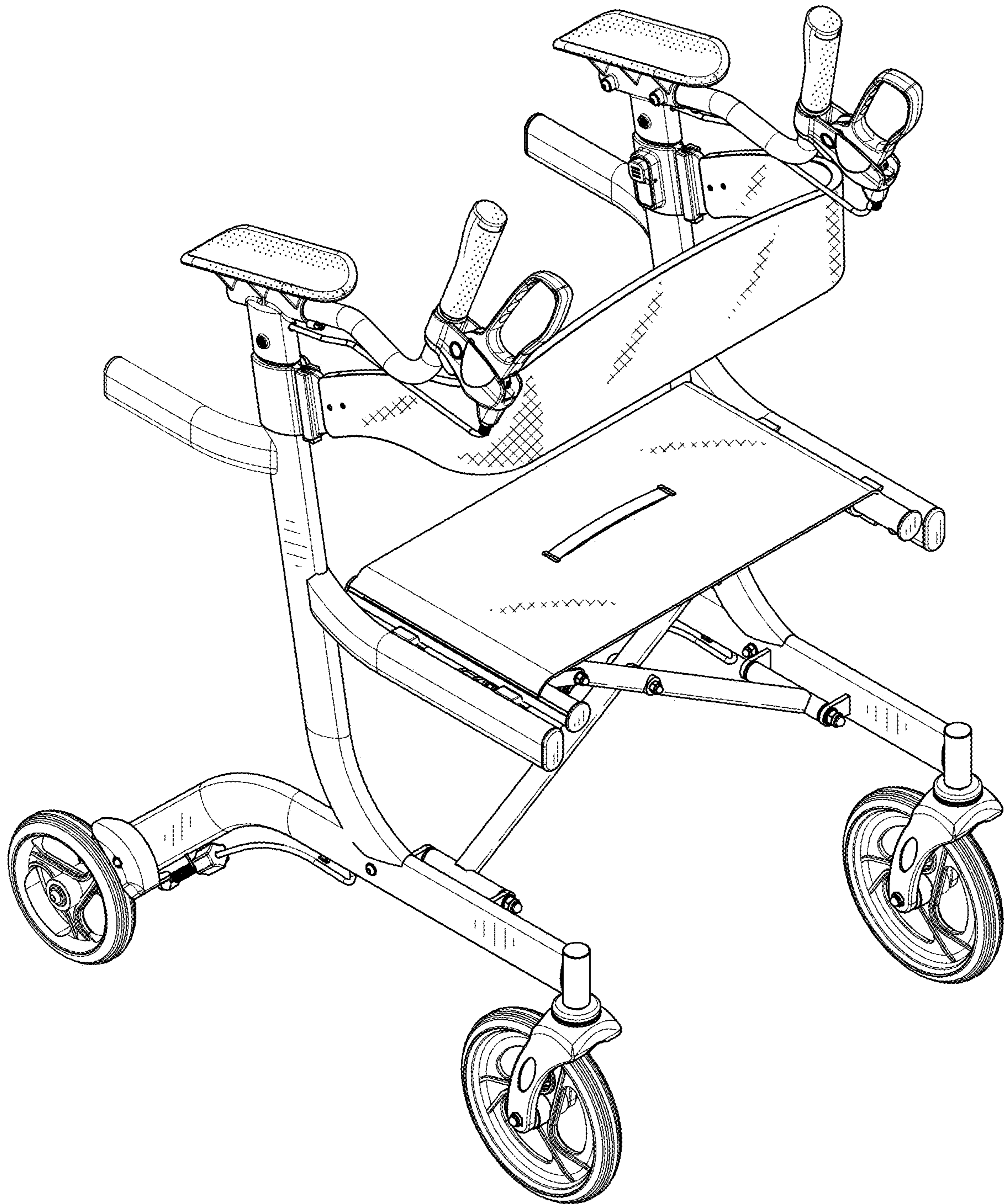


FIG. 10

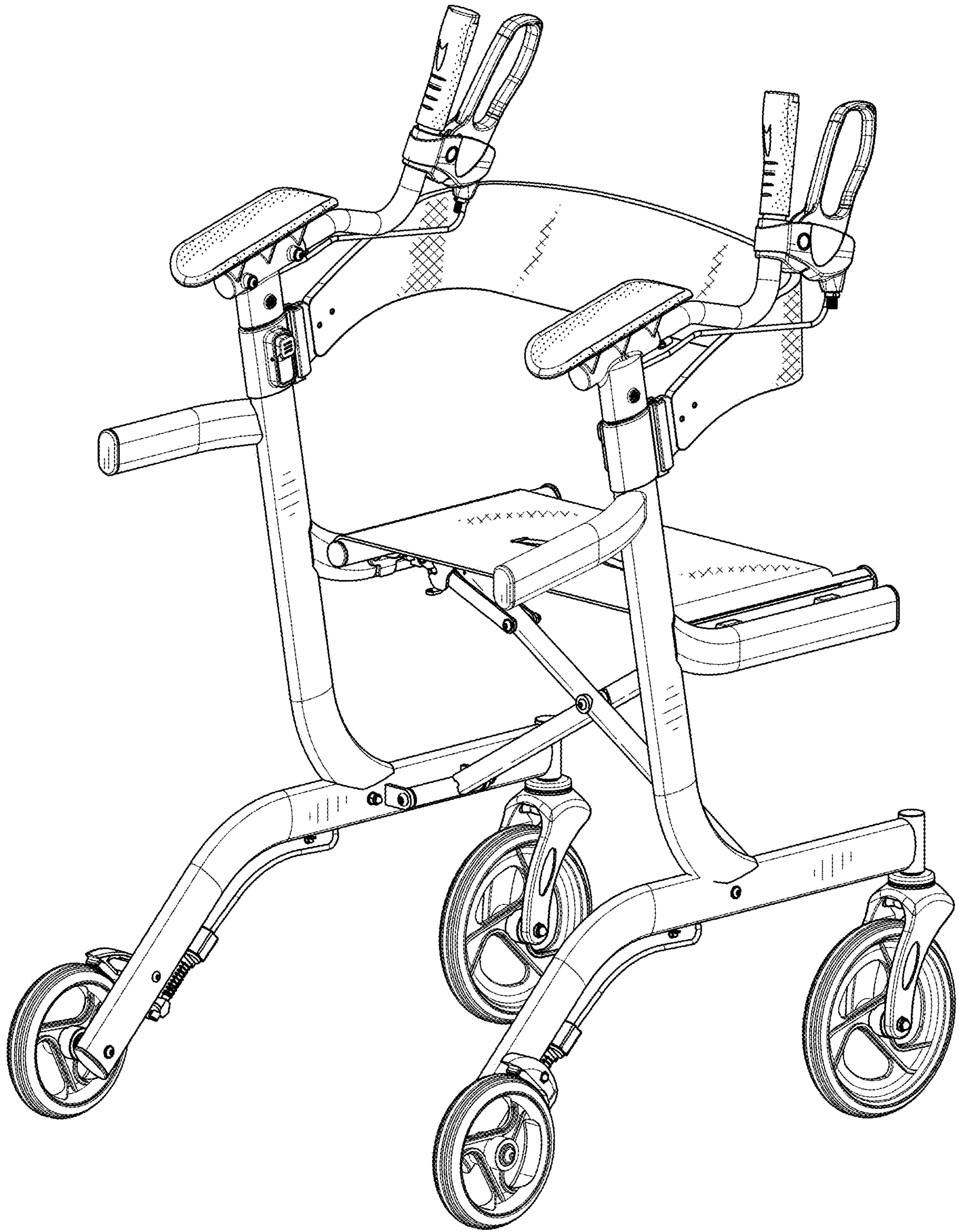


FIG. 11

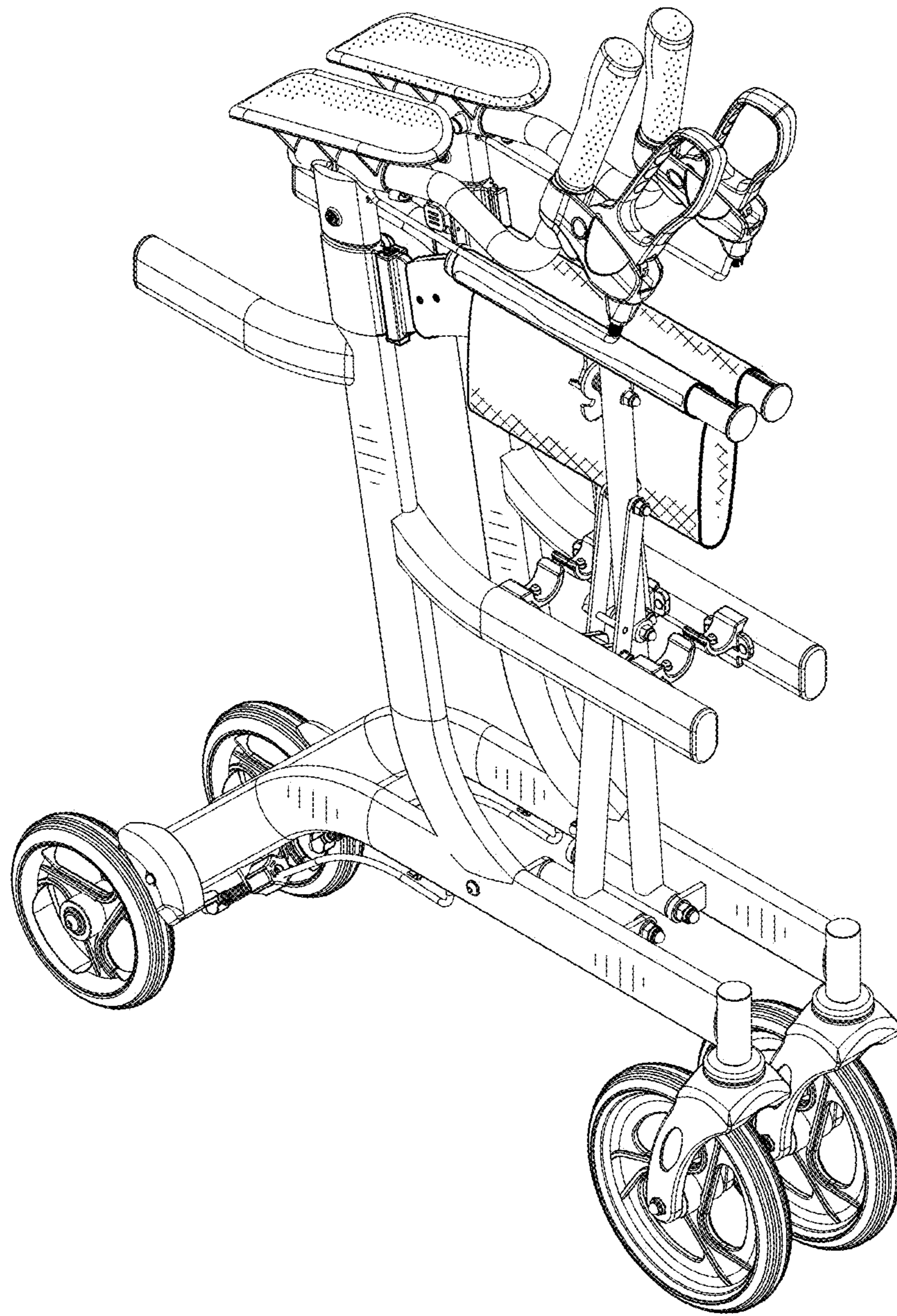


FIG. 12

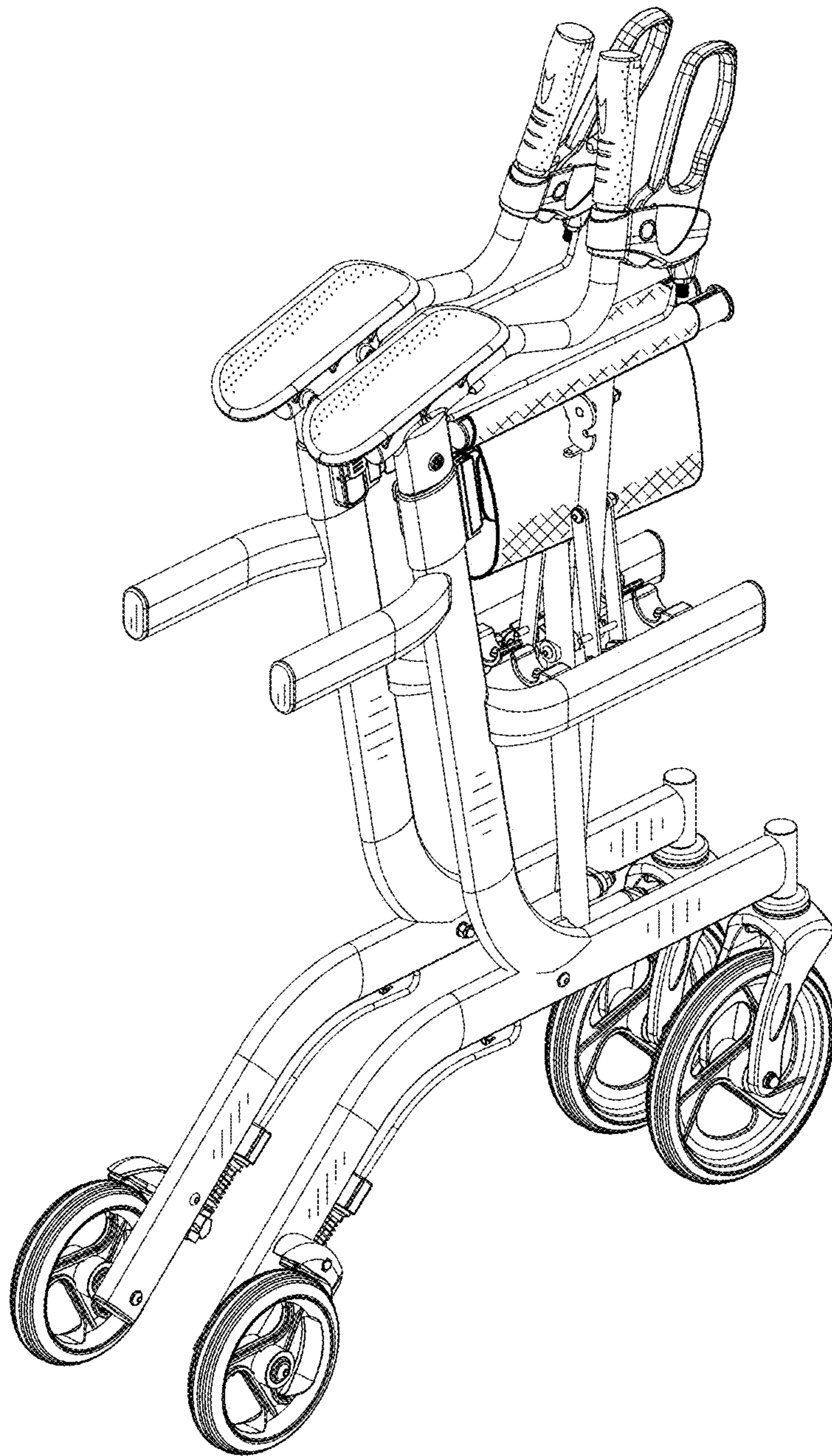


FIG. 13