



US00D902790S

(12) **United States Design Patent** (10) **Patent No.:** **US D902,790 S**
Nowak et al. (45) **Date of Patent:** **** Nov. 24, 2020**

(54) **WALKER**
(71) Applicant: **The United States Government as represented by The Department of Veterans Affairs, Washington, DC (US)**
(72) Inventors: **Vikki Nowak, Cleveland Heights, OH (US); Rebecca Lynn Blice, Akron, OH (US); Shawn Dellinger, Cleveland, OH (US); Maynard Payumo, Parma, OH (US); Ronald J. Triolo, Cleveland Heights, OH (US); Stephanie Bailey, Shaker Heights, OH (US); Kevin Foglyano, Lakewood, OH (US); Lisa M. Lombardo, Chardon, OH (US)**

5,148,559 A * 9/1992 Morris A61G 5/00
297/344.21
D395,851 S * 7/1998 Ostwalt D12/128
D404,345 S * 1/1999 Donets D12/130
6,453,921 B1 9/2002 Rost
D497,845 S * 11/2004 Twigg D12/130
8,820,338 B1 9/2014 Catricala et al.
D765,565 S * 9/2016 Husted D12/133
D800,877 S * 10/2017 Uche D23/299
9,775,767 B1 10/2017 Khaligh
10,166,165 B1 * 1/2019 McGuire A45B 9/04
2013/0061892 A1 3/2013 Huang
2013/0180557 A1 7/2013 Triolo et al.
2014/0109944 A1 4/2014 Triolo et al.
2015/0320631 A1 11/2015 Bordan

* cited by examiner
Primary Examiner — Charles D Hanson
(74) *Attorney, Agent, or Firm* — Ballard Spahr LLP

(73) Assignee: **The United States Government as Represented by the Department of Veterans Affairs, Washington, DC (US)**

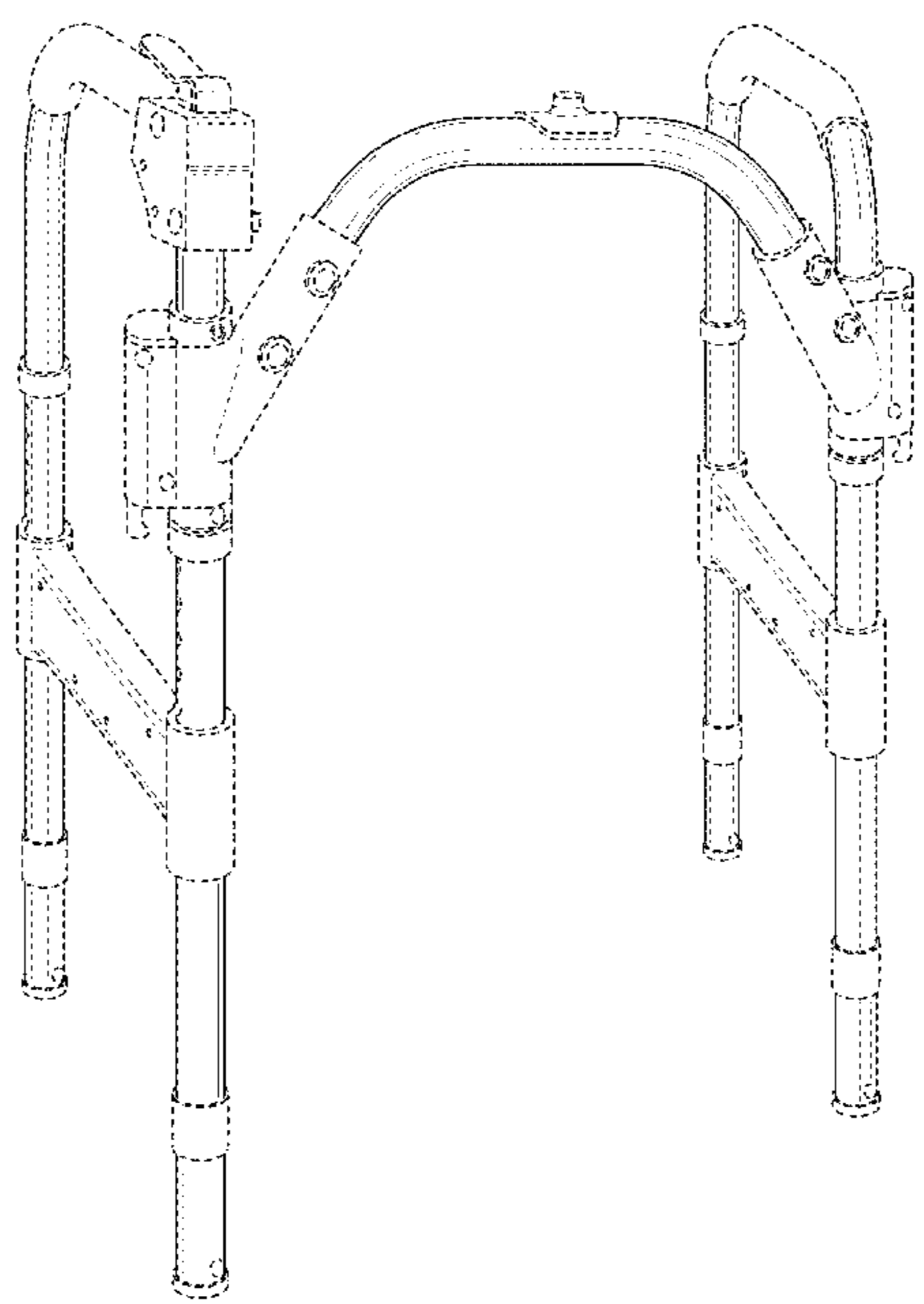
(**) Term: **15 Years**
(21) Appl. No.: **29/659,034**
(22) Filed: **Aug. 6, 2018**
(51) **LOC (12) Cl.** **12-12**
(52) **U.S. Cl.**
USPC **D12/130**
(58) **Field of Classification Search**
USPC D12/128–133
CPC A61H 3/00; A61H 3/04; A61H
2003/001–007; A61H 2003/043; A61H
2003/046
See application file for complete search history.

(57) **CLAIM**
We claim the ornamental design for a walker, as shown and described.

DESCRIPTION
FIG. 1 is an isometric view of an embodiment of our design for a walker;
FIG. 2 is a front view thereof;
FIG. 3 is a rear view thereof;
FIG. 4 is a right side view thereof;
FIG. 5 is a left side view thereof;
FIG. 6 is a top view thereof; and,
FIG. 7 is a bottom view thereof.
The broken lines depict portions of the walker that form no part of the claimed design.

(56) **References Cited**
U.S. PATENT DOCUMENTS
D179,394 S * 12/1956 Mills D23/309
5,116,294 A * 5/1992 Findlay A63B 21/153
482/127

1 Claim, 7 Drawing Sheets



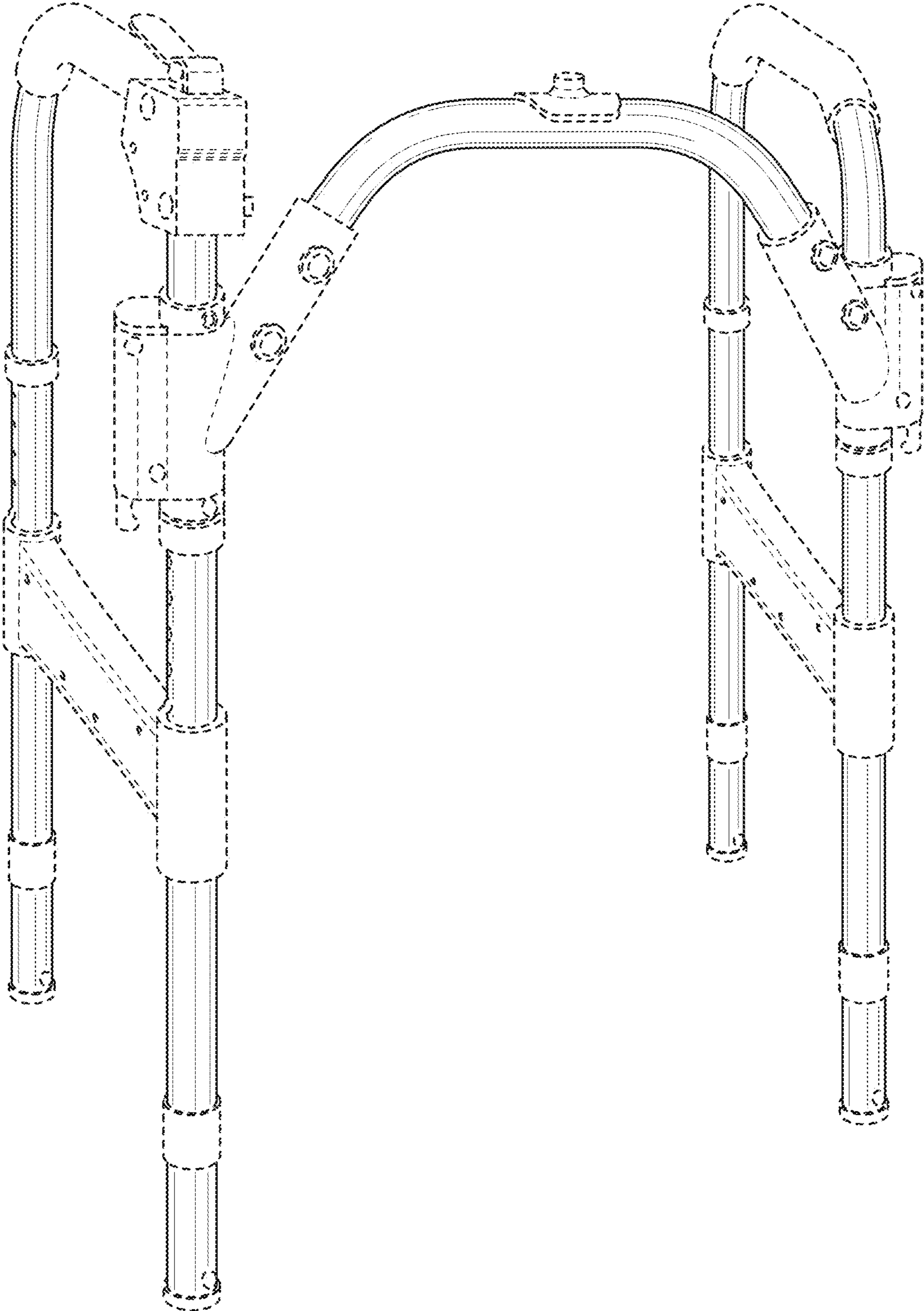


FIG. 1

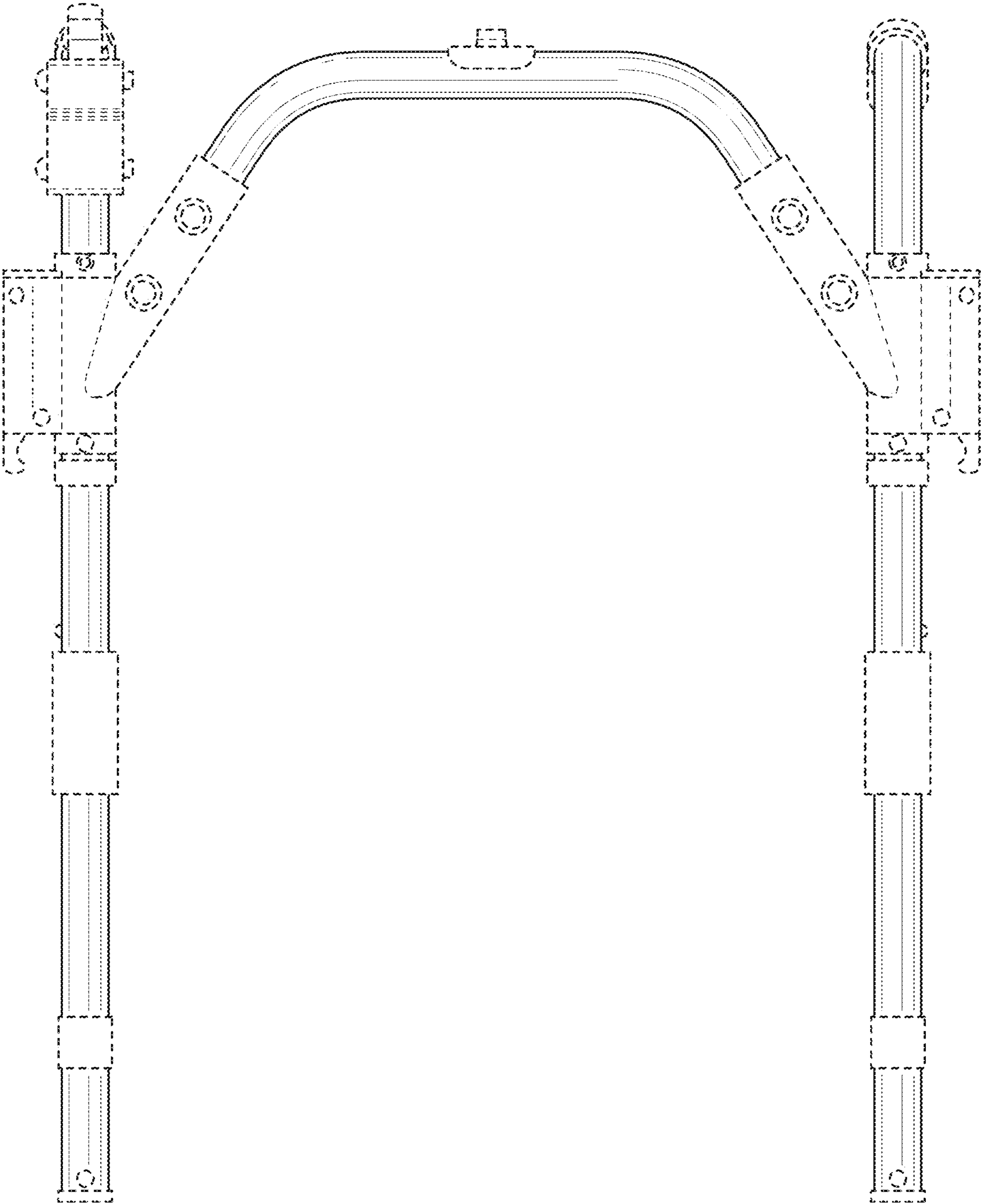


FIG. 2

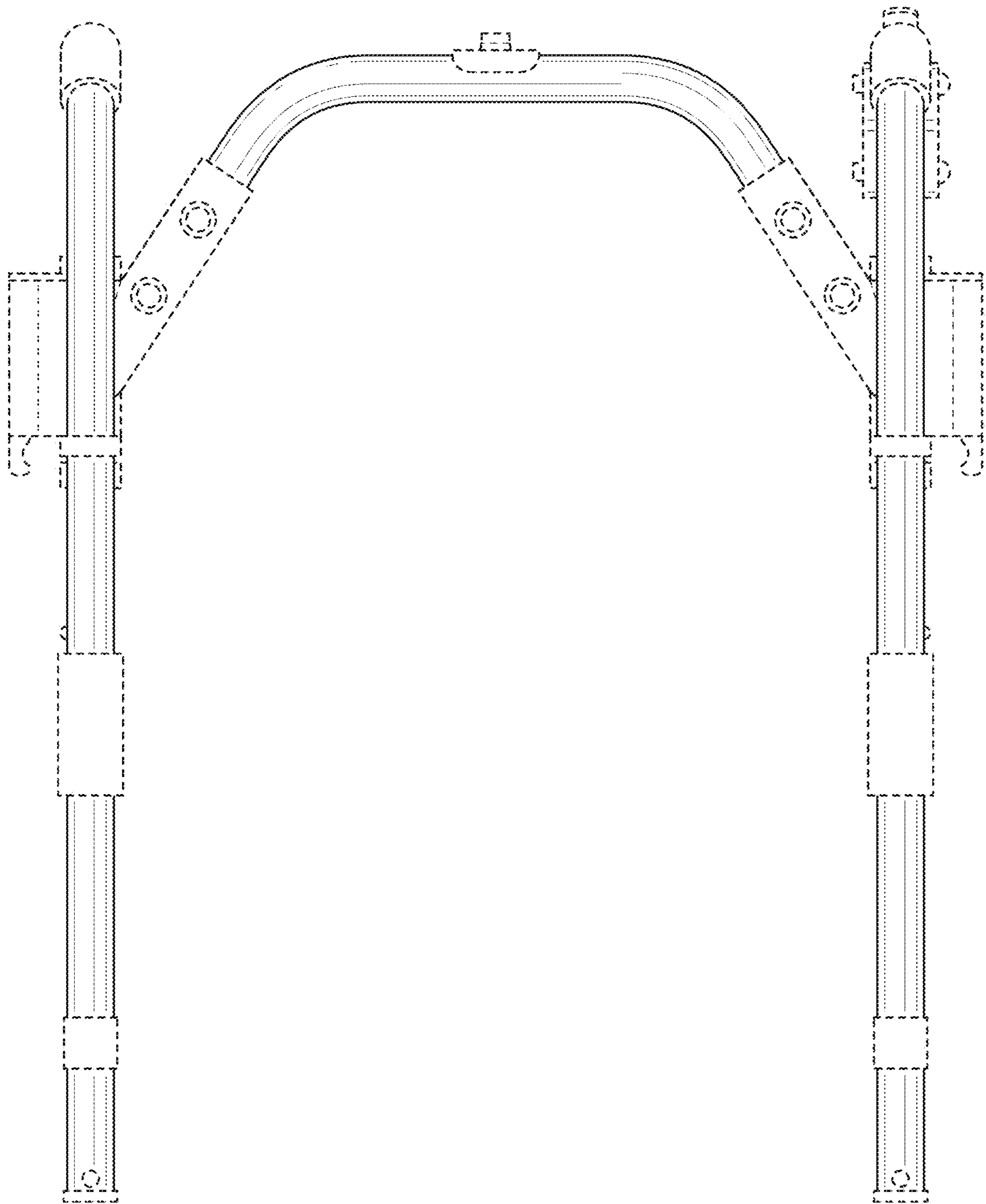


FIG. 3

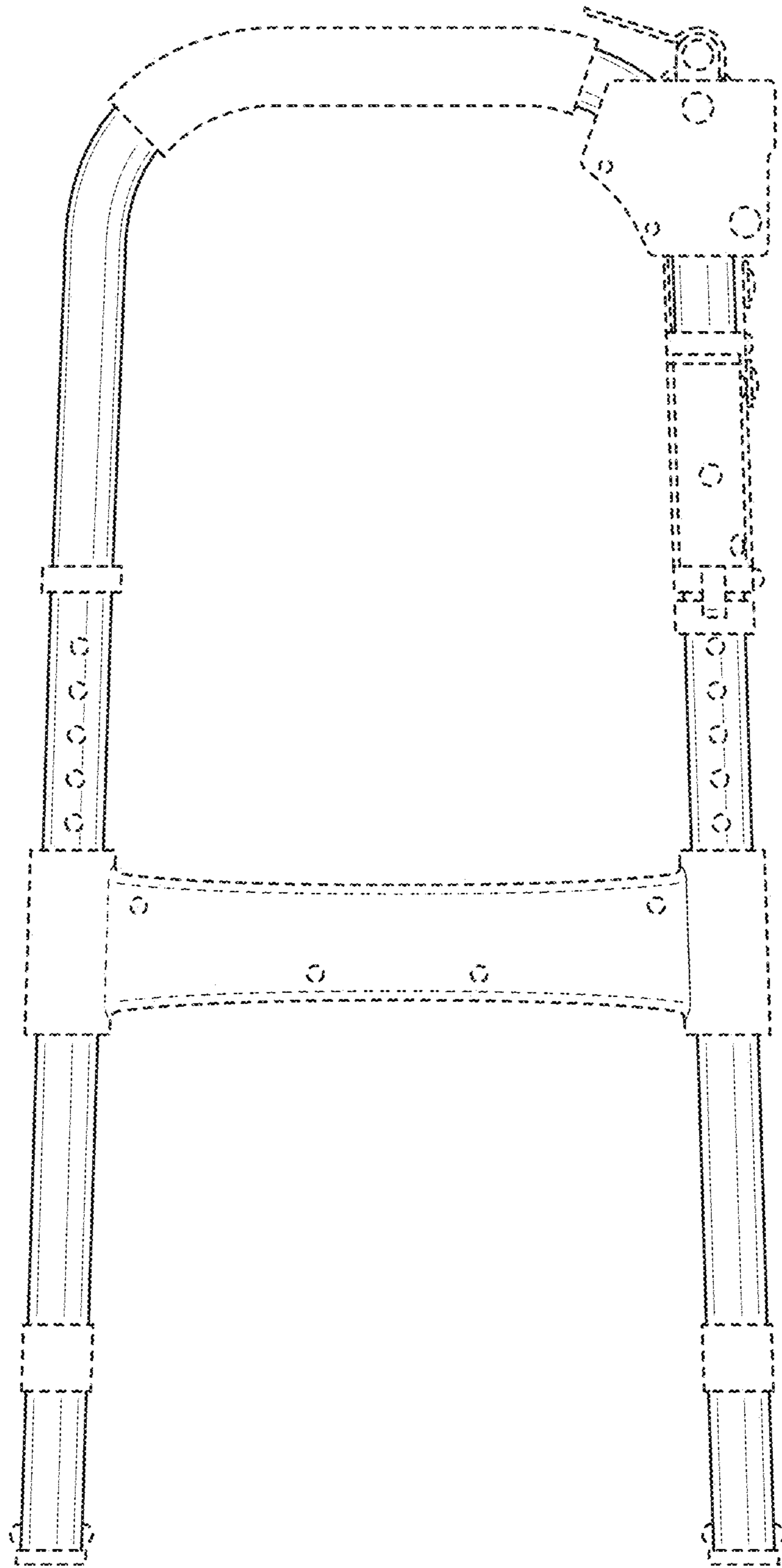


FIG. 4

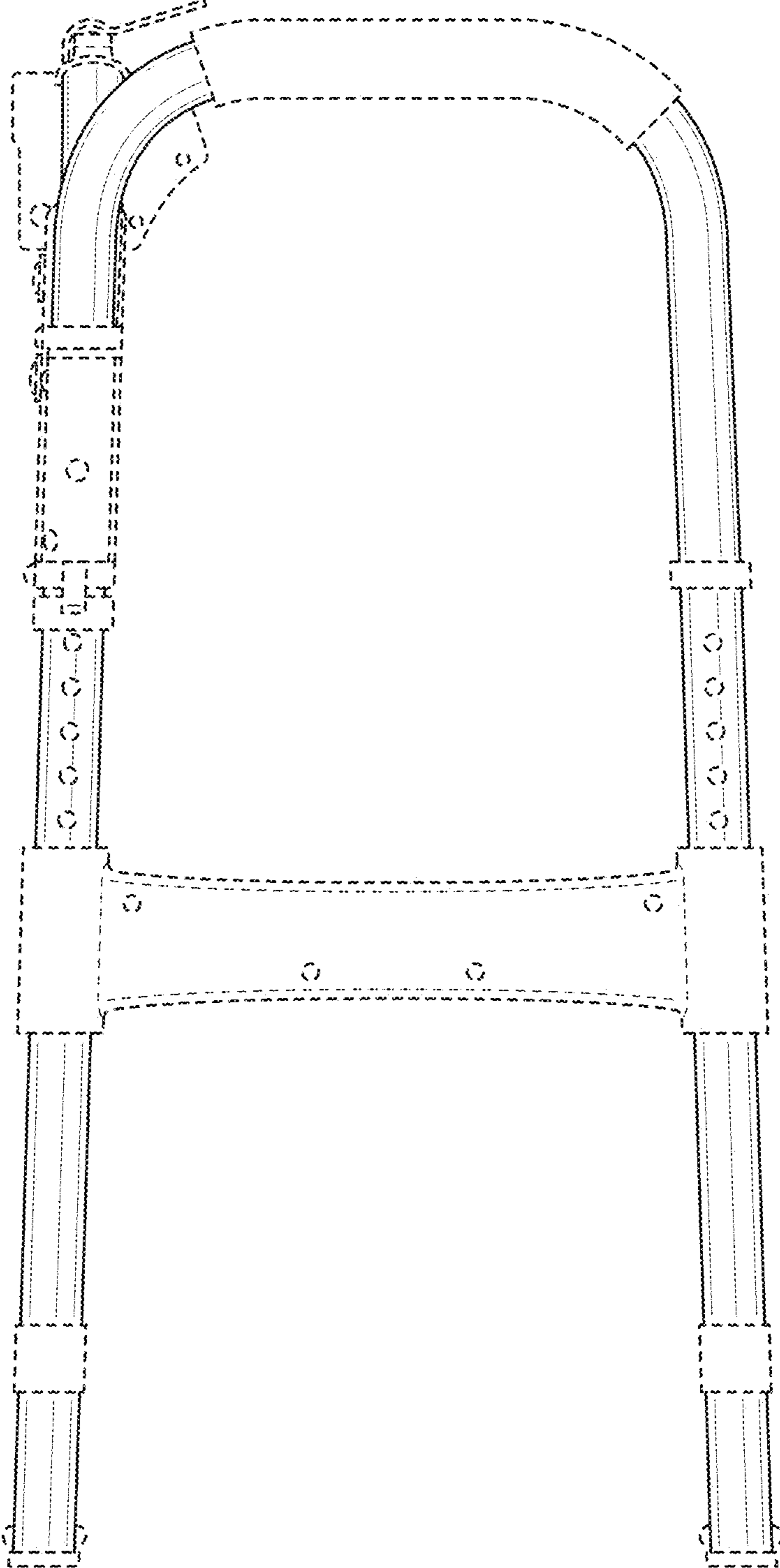


FIG. 5

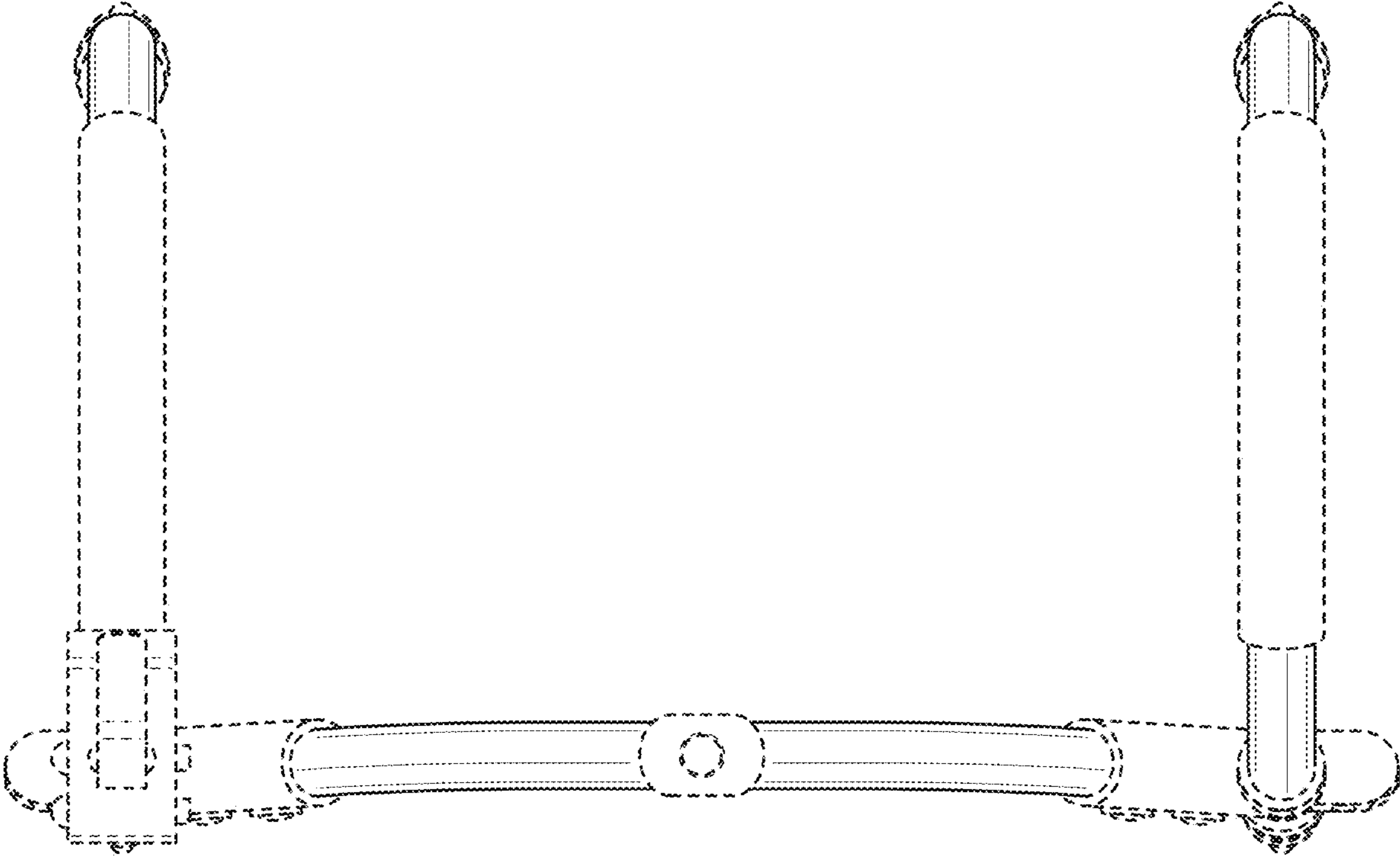


FIG. 6

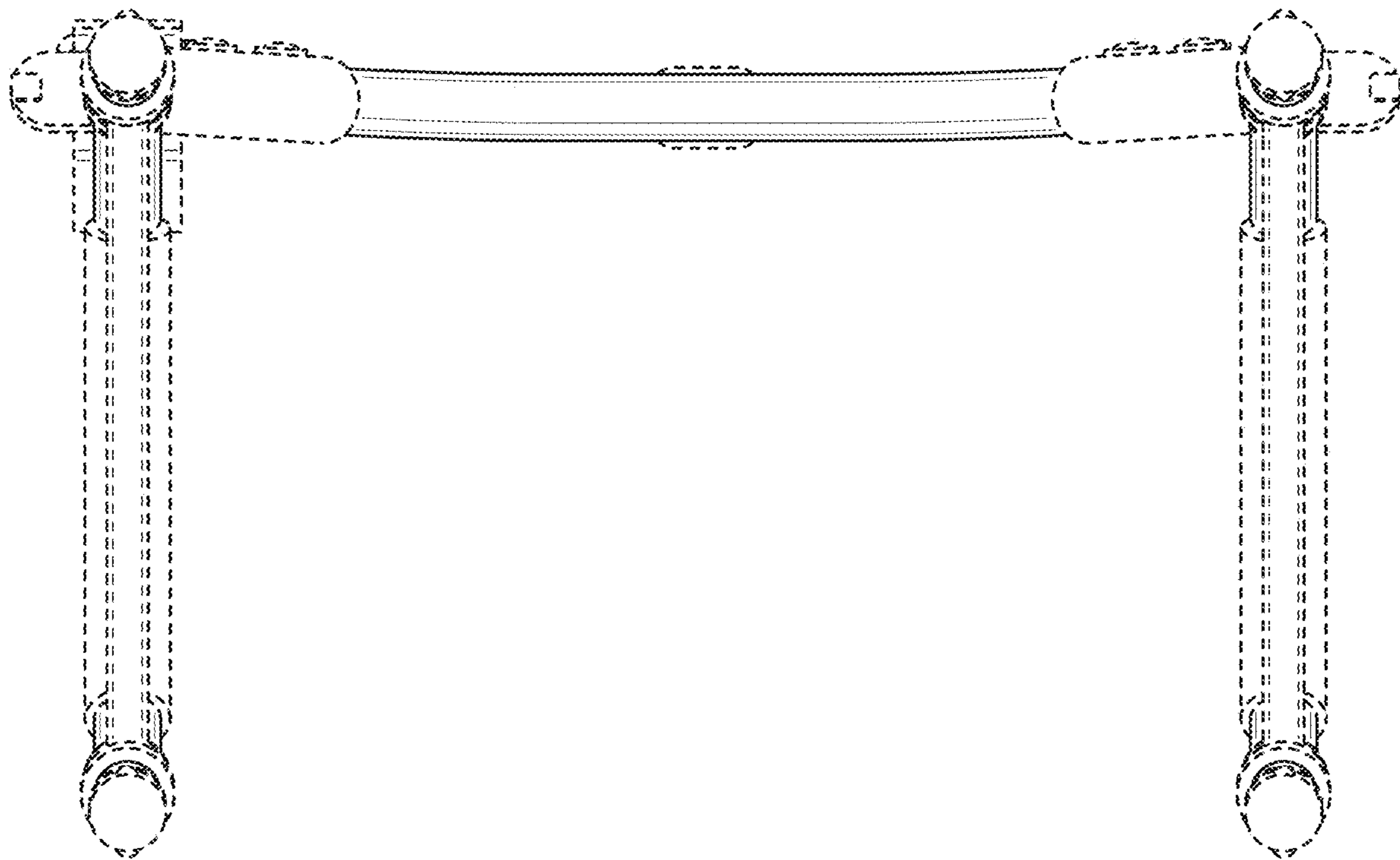


FIG. 7