



US00D902789S

(12) **United States Design Patent** (10) **Patent No.:** **US D902,789 S**
Taylor (45) **Date of Patent:** **** Nov. 24, 2020**

(54) **KICKSTAND**

D317,143 S * 5/1991 Weissenberger D12/120
D348,861 S * 7/1994 Thomas D12/120
D350,089 S * 8/1994 Greenfield D12/120

(Continued)

(71) Applicant: **NEUTRON HOLDINGS, INC.**, San Francisco, CA (US)

Primary Examiner — Darlington Ly

(72) Inventor: **Joseph Daniel Taylor**, San Francisco, CA (US)

(74) *Attorney, Agent, or Firm* — Dentons US LLP

(73) Assignee: **NEUTRON HOLDINGS, INC.**, San Francisco, CA (US)

(57) **CLAIM**

The ornamental designs for a kickstand, as shown and described.

(**) Term: **15 Years**

DESCRIPTION

(21) Appl. No.: **29/651,104**

FIG. 1 is a front and left side perspective view of a kickstand showing my new design;

(22) Filed: **Sep. 10, 2019**

FIG. 2 is a bottom, front, and left side perspective view thereof;

(51) **LOC (12) Cl.** **12-11**

FIG. 3 is a front elevation view thereof;

(52) **U.S. Cl.**

FIG. 4 is a rear elevation view thereof;

USPC **D12/120**

FIG. 5 is a left side elevation view thereof;

(58) **Field of Classification Search**

USPC D12/110, 111, 114, 115, 179

CPC B62H 1/02; B62H 1/00

See application file for complete search history.

FIG. 6 is a right side elevation view thereof;

FIG. 7 is a top plan view thereof;

FIG. 8 is a bottom plan view thereof;

(56) **References Cited**

U.S. PATENT DOCUMENTS

3,425,713	A *	2/1969	McCauley	B62H 1/02
					280/301
3,712,637	A *	1/1973	Townsend	B62H 3/00
					280/293
3,998,470	A *	12/1976	Houston	B62H 1/02
					280/301
4,457,530	A *	7/1984	Johnson	B62H 1/02
					248/188.9
4,556,230	A *	12/1985	Diekman	B62H 1/02
					280/293
D294,014	S *	2/1988	McMurtrey	D12/120
4,869,453	A *	9/1989	Newman	B62H 1/02
					248/552
D306,568	S *	3/1990	McMurtrey	D12/120
4,971,347	A *	11/1990	Cline	B62H 1/02
					280/301

FIG. 9 is a bottom, front, and left side perspective thereof in a folded upward position;

FIG. 10 is a front elevation view thereof in a folded upward position;

FIG. 11 is a rear elevation view thereof in a folded upward position;

FIG. 12 is a left side elevation view thereof in a folded upward position;

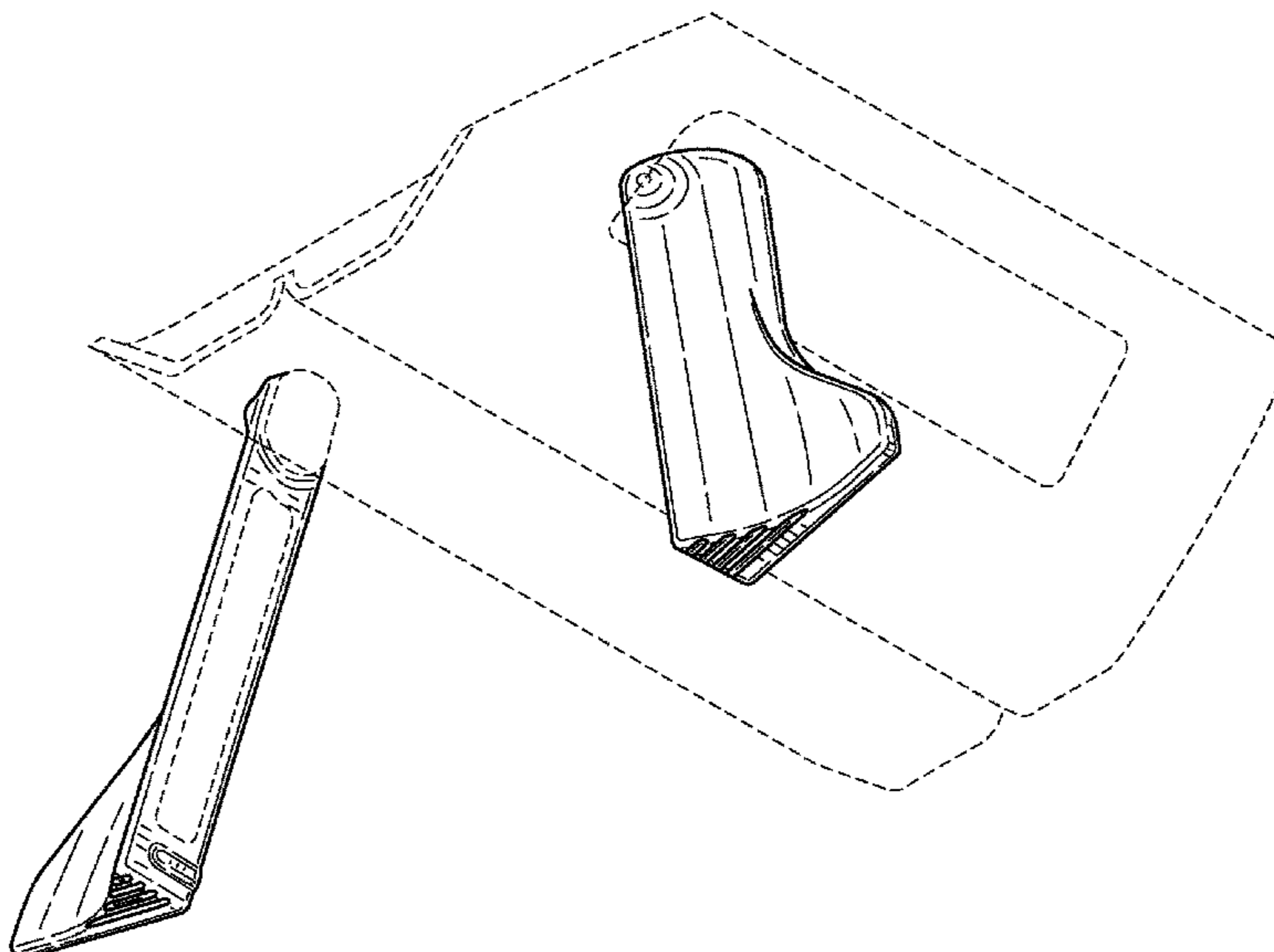
FIG. 13 is a right side elevation view thereof in a folded upward position;

FIG. 14 is a top plan view thereof in a folded position; and,

FIG. 15 is a bottom plan view thereof in a folded upward position.

The broken lines in the drawings illustrate portions of the kickstand and environmental scooter structure that do not form part of the claimed design.

1 Claim, 15 Drawing Sheets



(56)

References Cited

U.S. PATENT DOCUMENTS

D374,417 S * 10/1996 Gotschi D12/120
D376,776 S * 12/1996 Gotschi D12/120
D408,765 S * 4/1999 Fish D12/120
6,340,166 B1 * 1/2002 Rethman B62H 1/00
248/188.9
D560,142 S * 1/2008 Hutchison D12/120
D604,675 S * 11/2009 Litter D12/120
D721,013 S * 1/2015 Fragassi D12/111
D867,938 S * 11/2019 Brockway D12/133

* cited by examiner

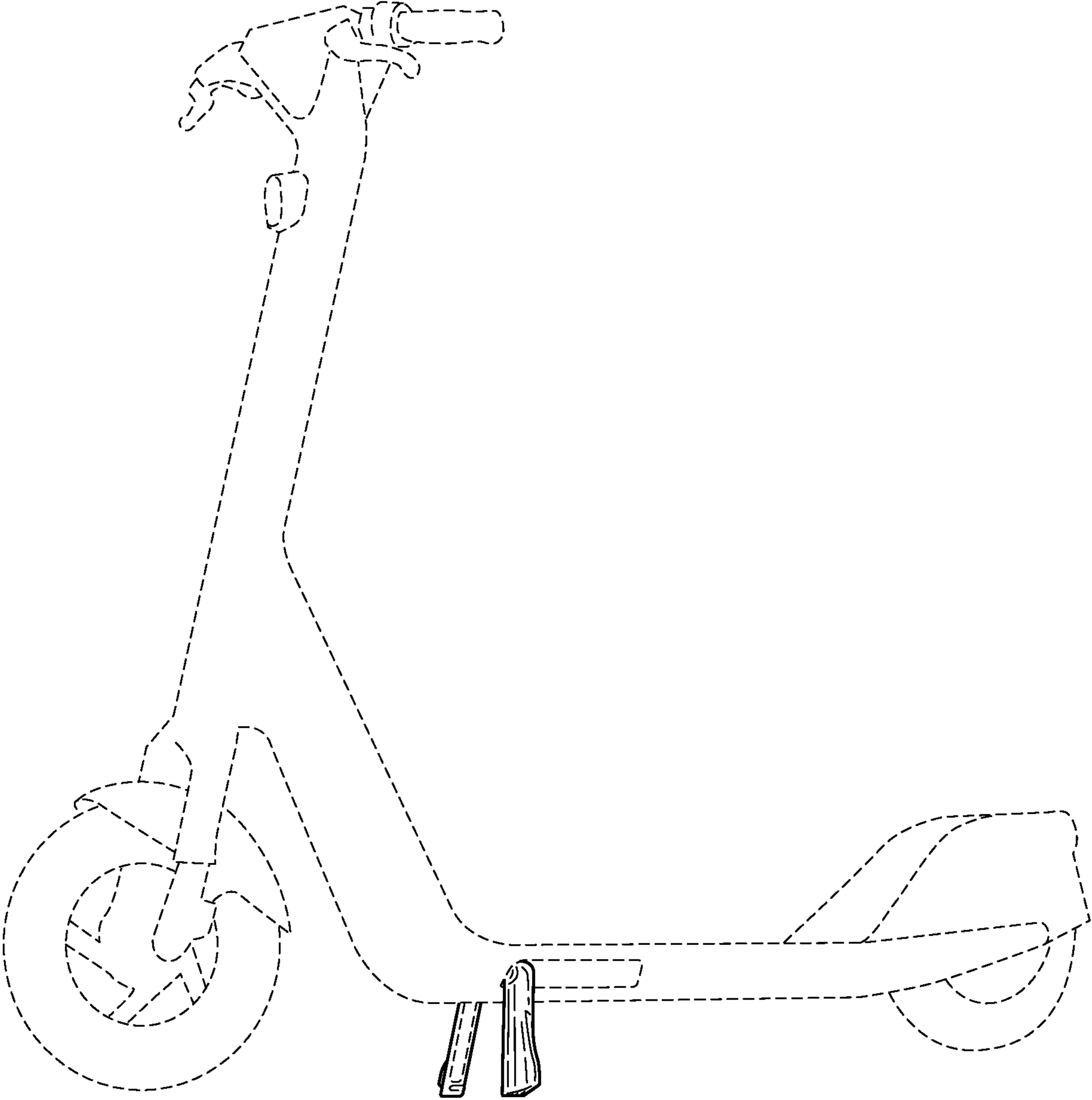


FIG. 1

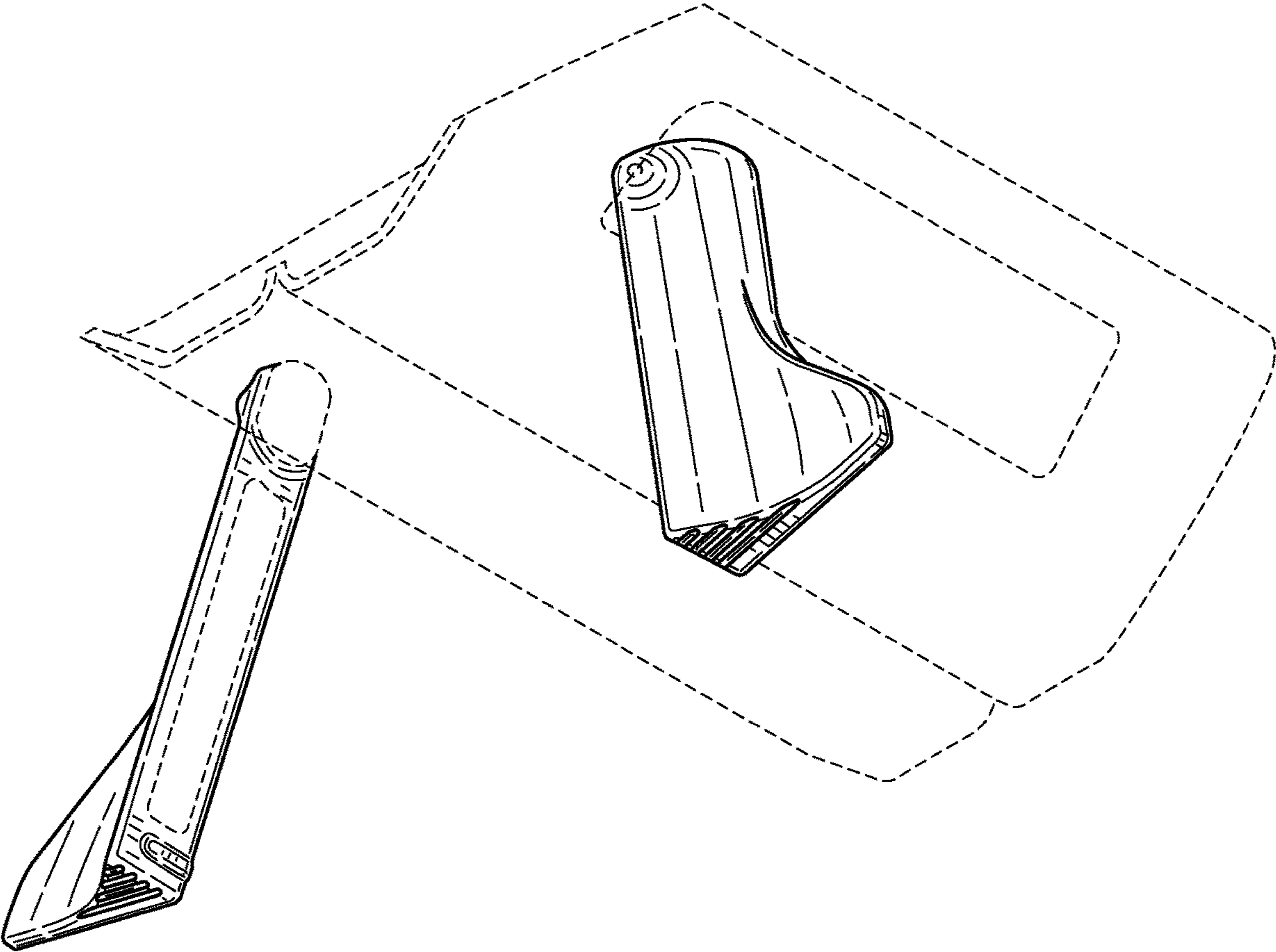


FIG.2

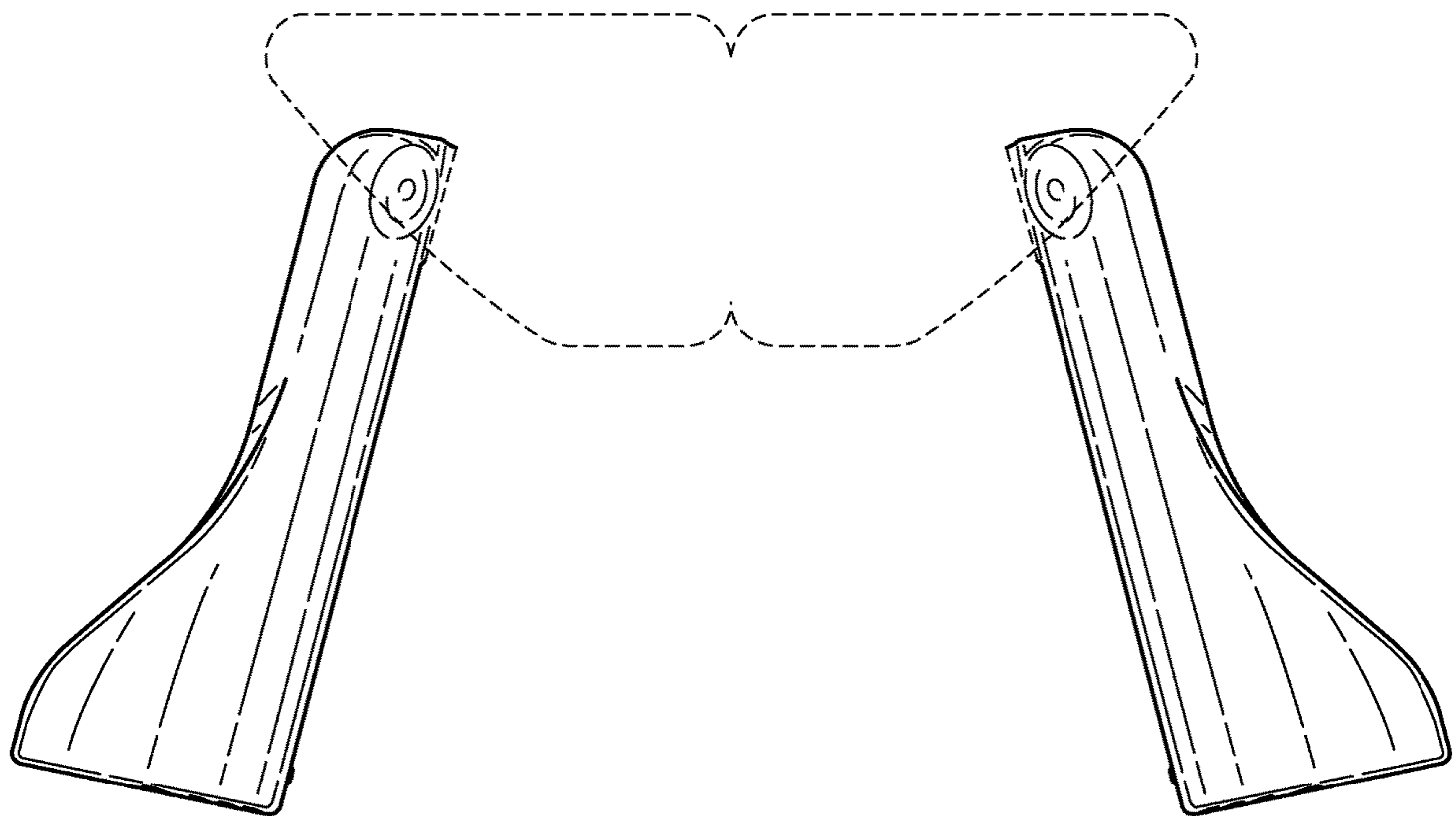


FIG.3

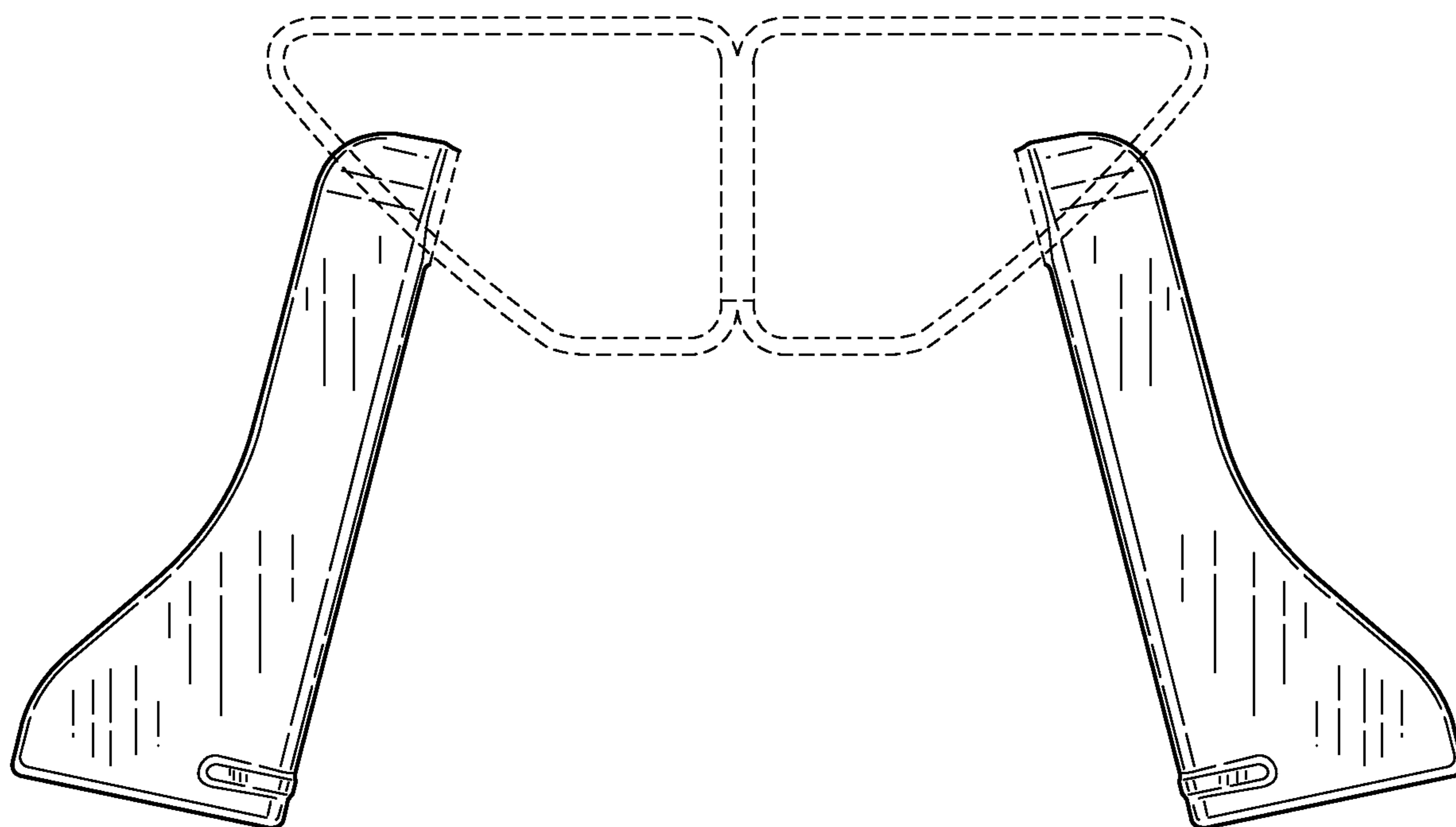


FIG.4

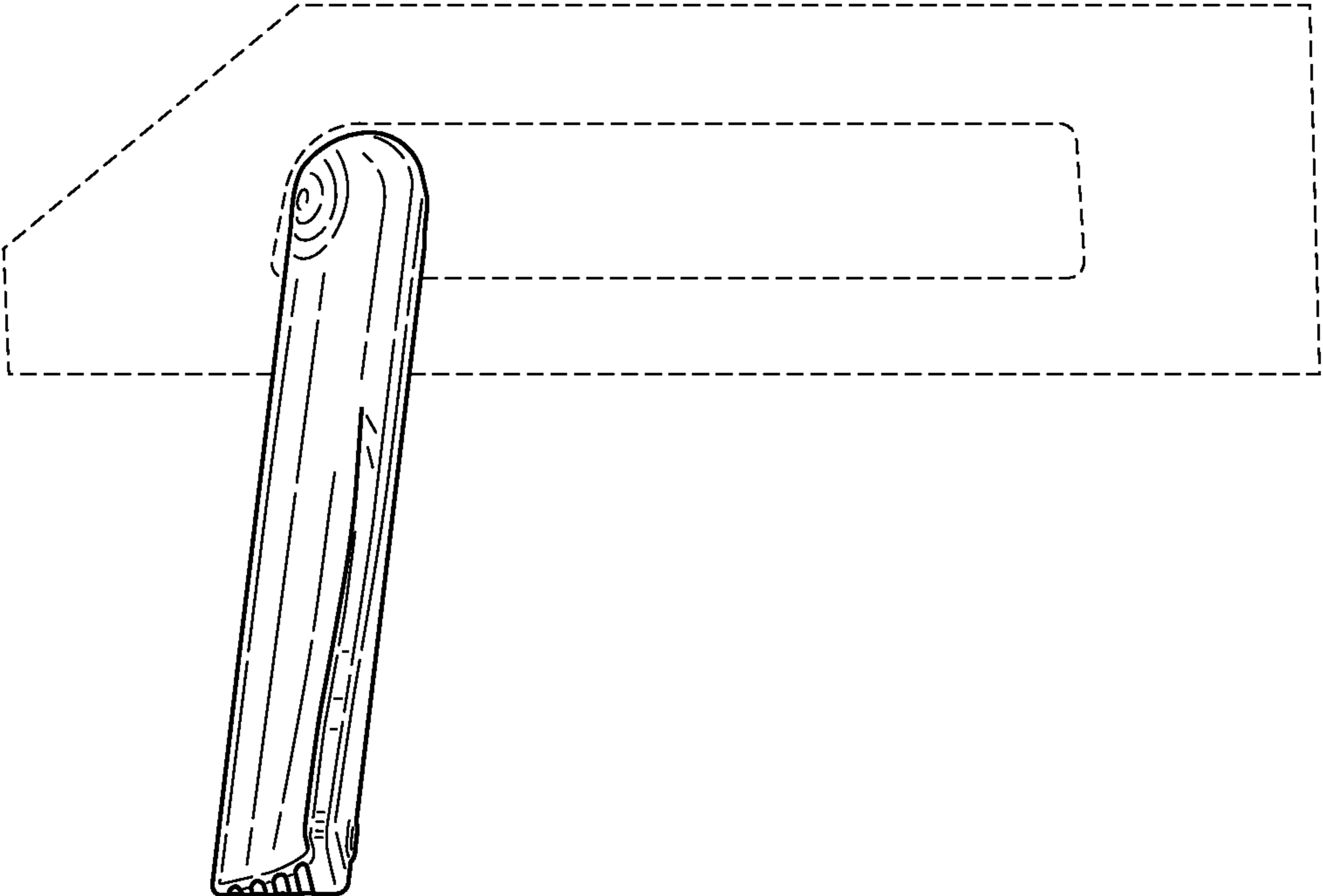


FIG.5

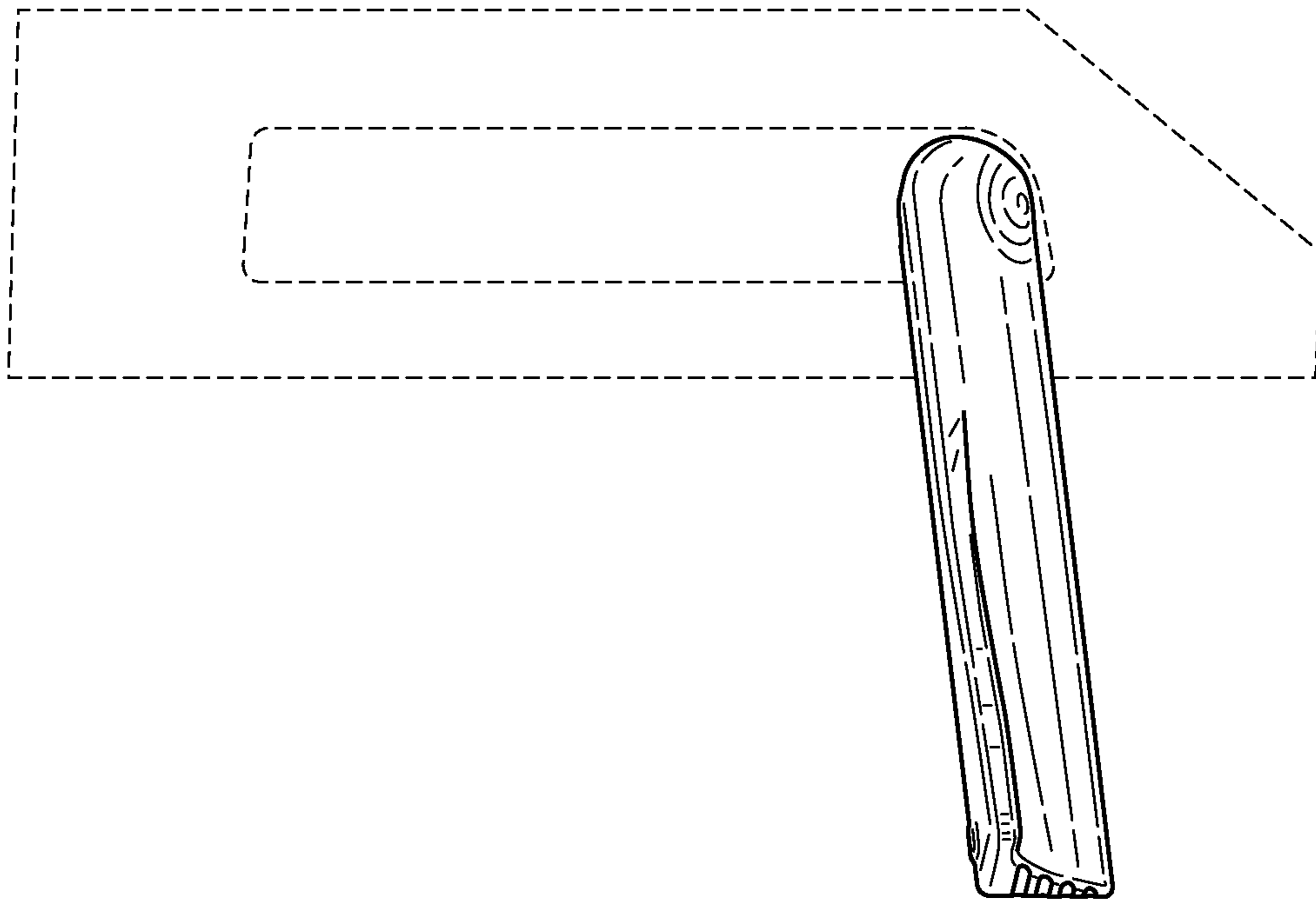


FIG. 6

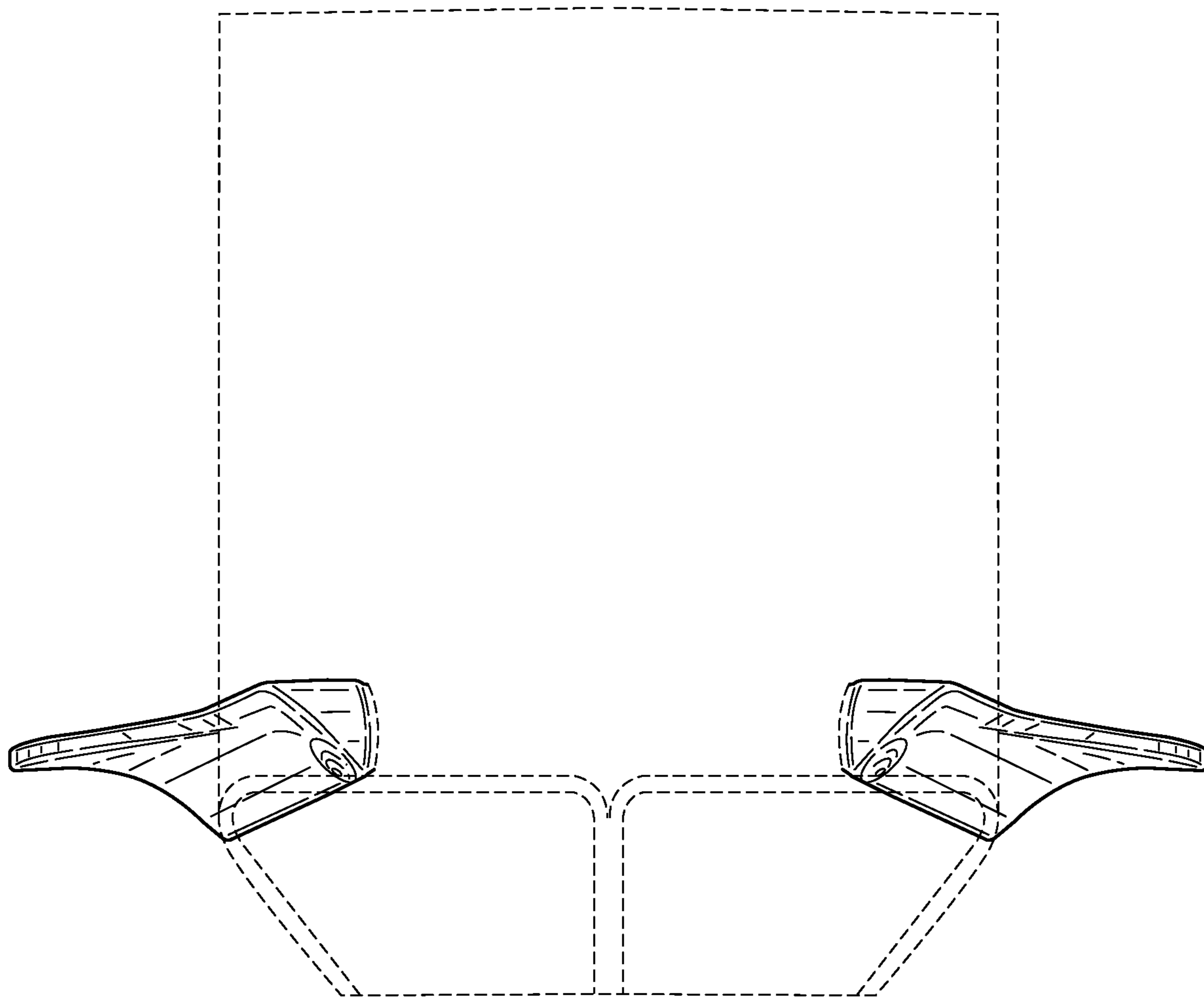


FIG.7

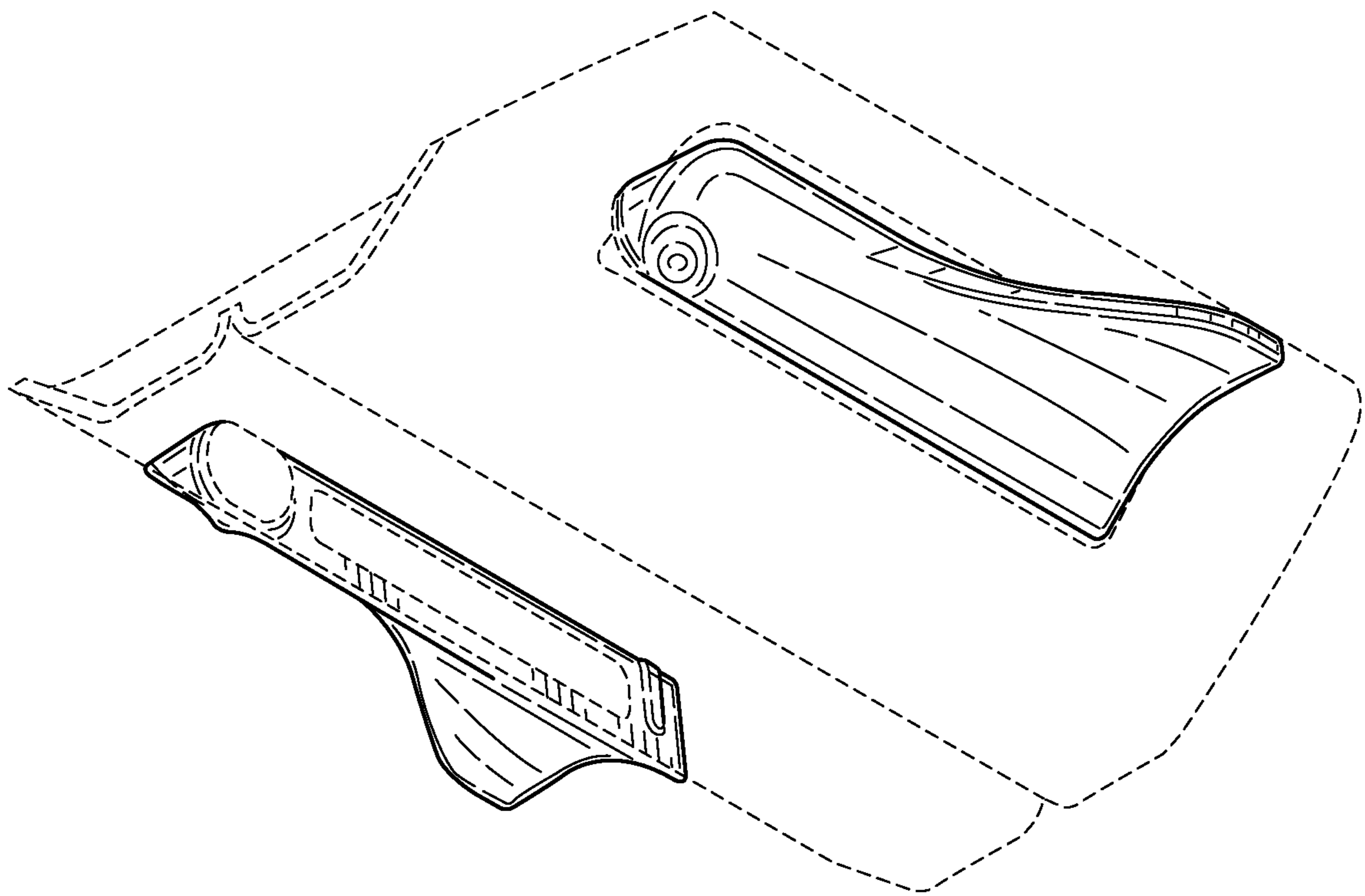


FIG.9

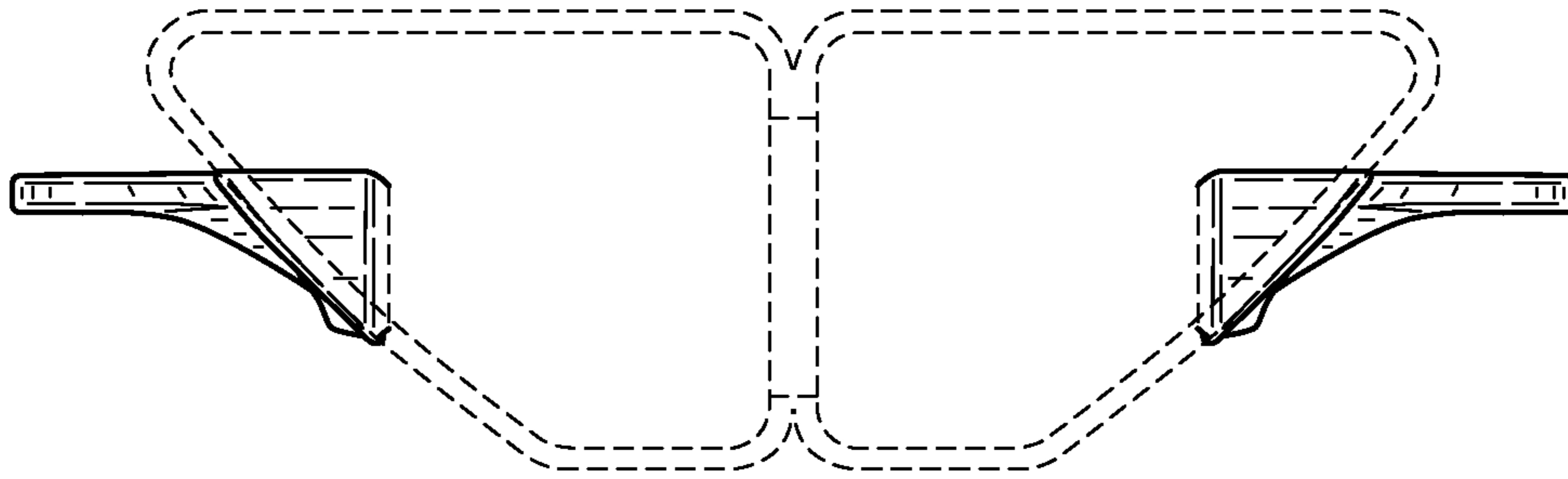


FIG.10

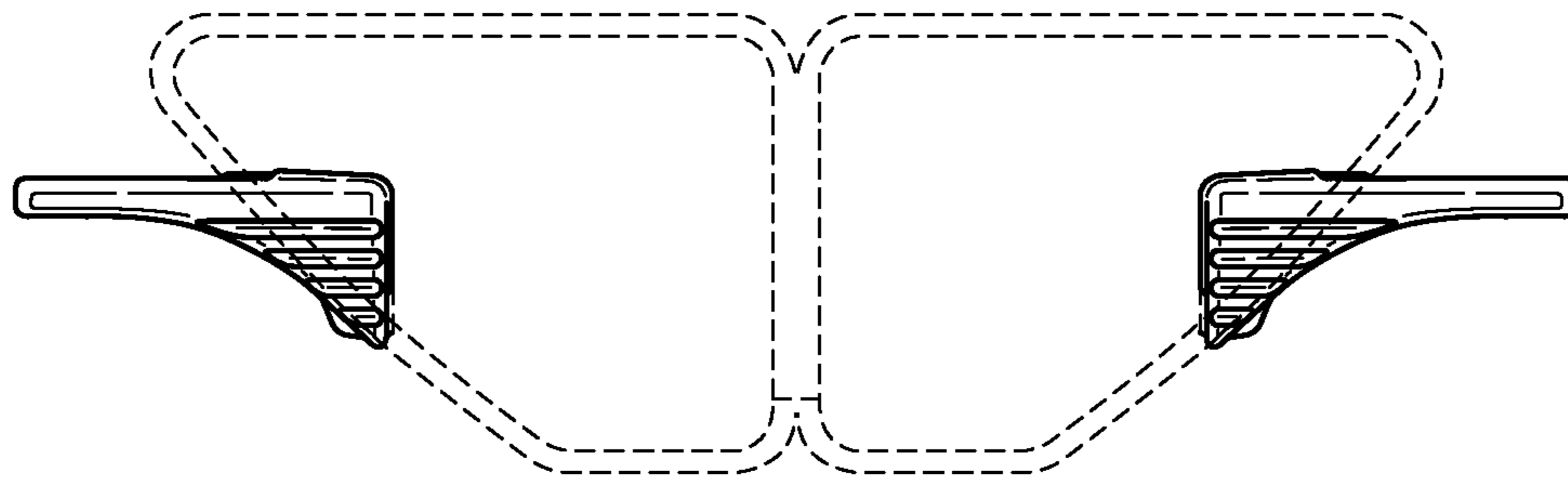


FIG.11

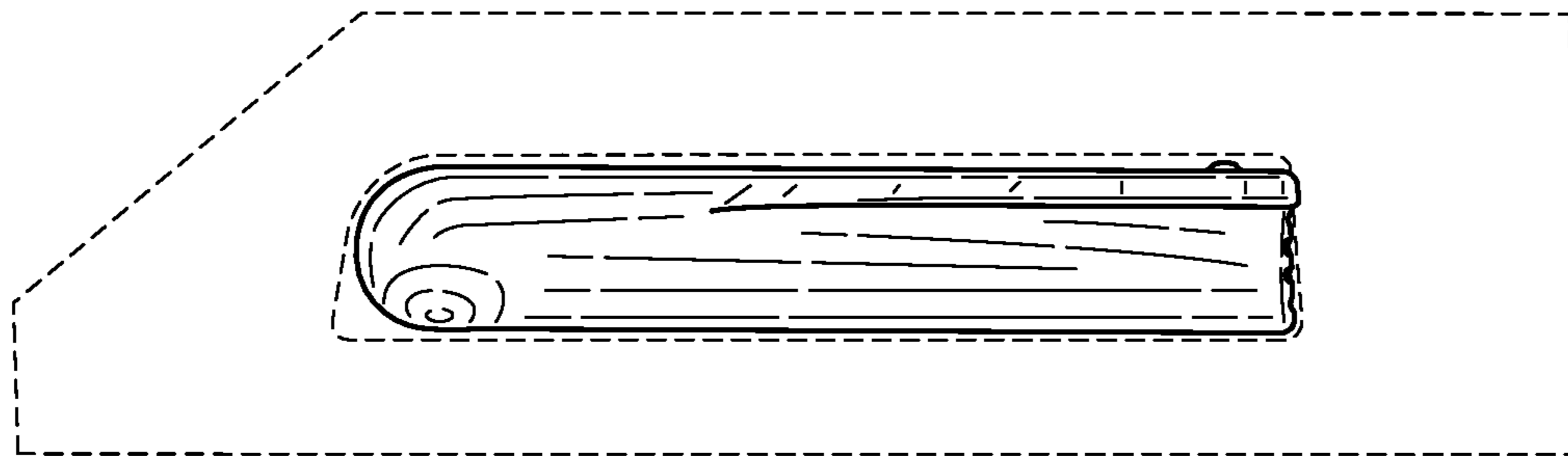


FIG.12

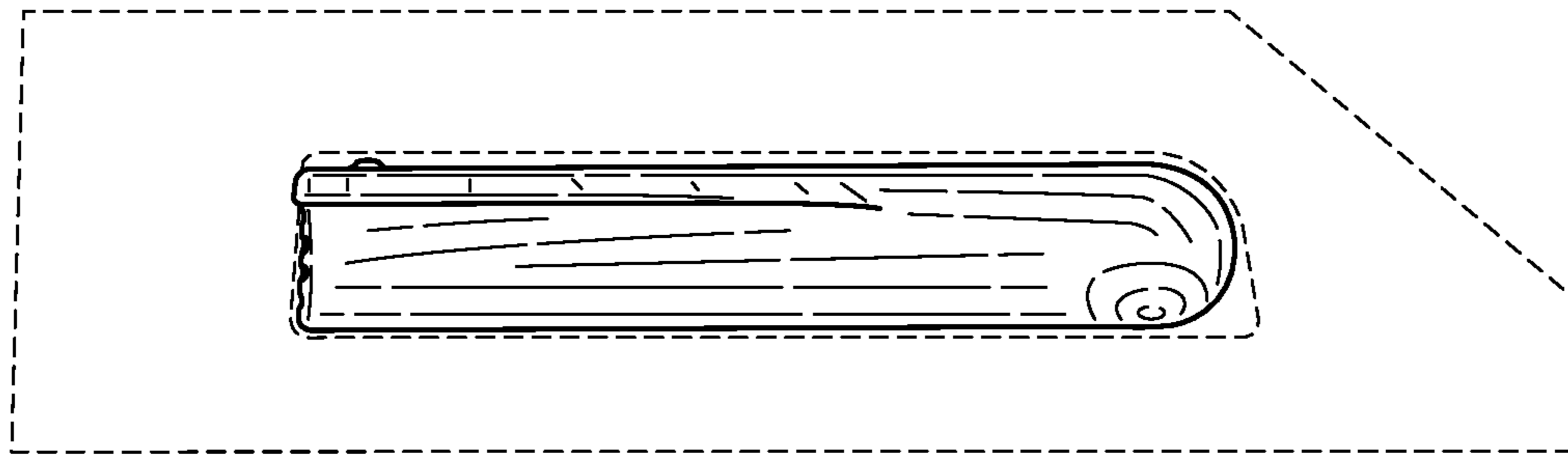


FIG.13

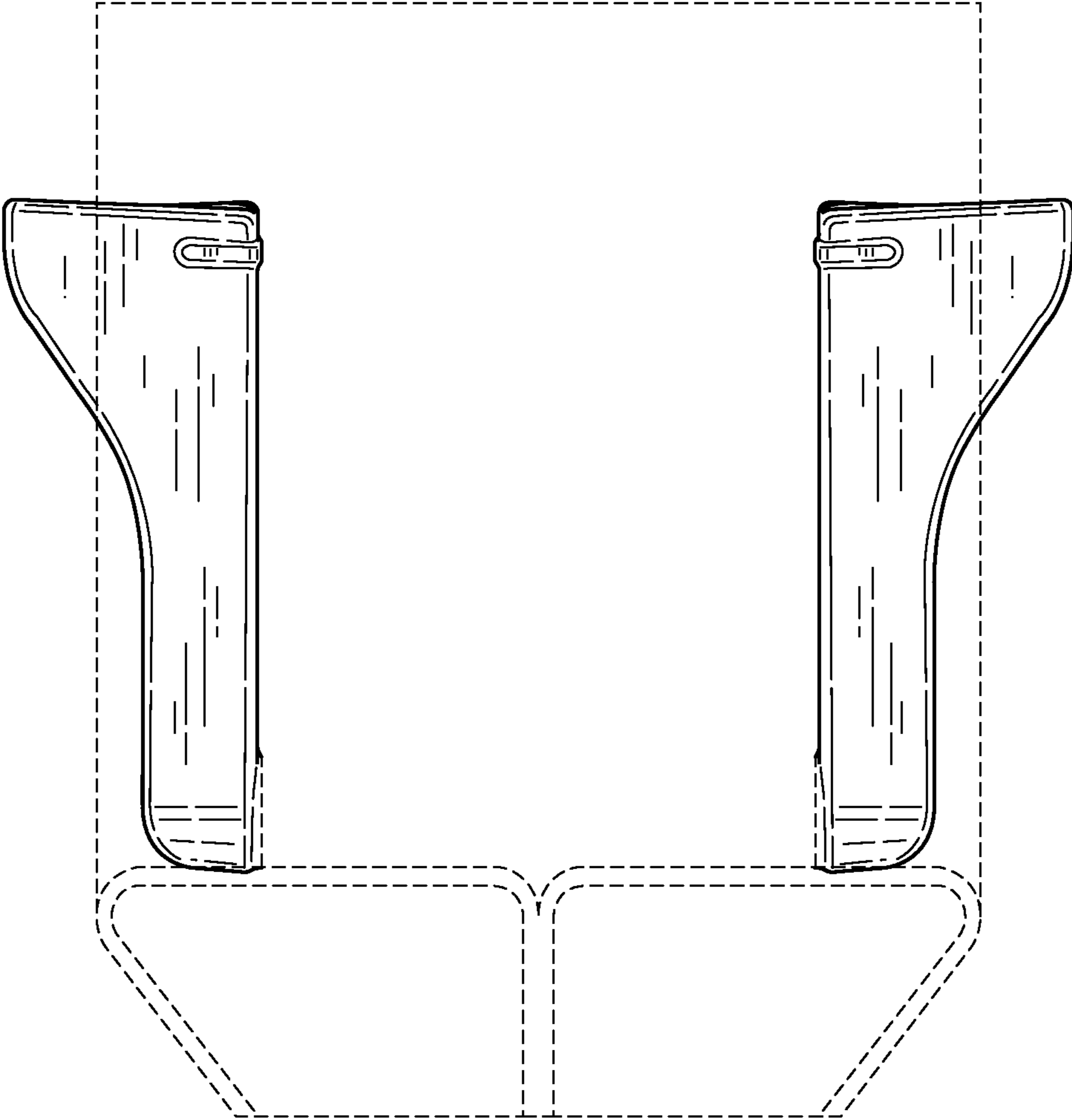


FIG.14

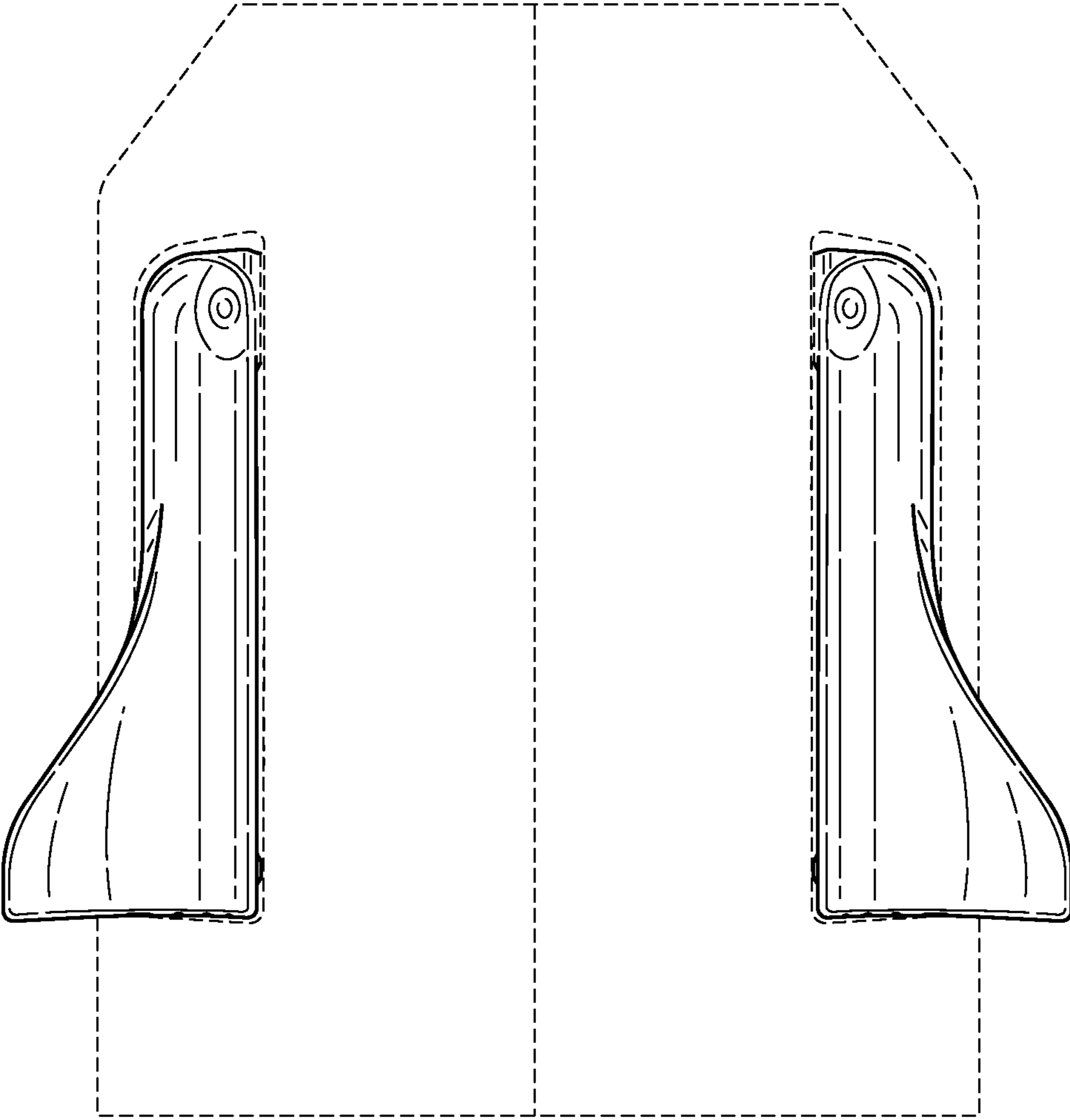


FIG. 15