



US00D902787S

(12) **United States Design Patent** (10) **Patent No.:** **US D902,787 S**  
**Di Gregorio et al.** (45) **Date of Patent:** **\*\* Nov. 24, 2020**

(54) **MOTOR SCOOTER**  
(71) Applicant: **PIAGGIO & C. S.P.A.**, Pontedera (IT)  
(72) Inventors: **Marco Di Gregorio**, Pontedera (IT);  
**Marco Lambri**, Pontedera (IT)  
(73) Assignee: **PIAGGIO & C. S.P.A.**, Pontedera (IT)  
(\*\*) Term: **15 Years**  
(21) Appl. No.: **35/507,646**  
(22) Filed: **Apr. 12, 2019**  
(80) **Hague Agreement Data**  
Int. Filing Date: **Apr. 12, 2019**  
Int. Reg. No.: **DM/203742**  
Int. Reg. Date: **Apr. 12, 2019**  
Int. Reg. Pub. Date: **Nov. 8, 2019**

(30) **Foreign Application Priority Data**  
Nov. 2, 2018 (EM) ..... 005815693  
(51) **LOC (12) Cl.** ..... **12-11**  
(52) **U.S. Cl.**  
USPC ..... **D12/110**  
(58) **Field of Classification Search**  
USPC ..... D12/3, 86, 87, 110, 107, 112  
CPC ..... B62K 5/027; B62K 5/05; B62K 11/04;  
B62K 19/46  
See application file for complete search history.

(56) **References Cited**  
U.S. PATENT DOCUMENTS  
D403,277 S \* 12/1998 Kokubu ..... D12/110  
D496,309 S \* 9/2004 Fukumoto ..... D12/110  
D504,844 S \* 5/2005 Sasanami ..... D12/110  
D548,649 S \* 8/2007 Heinrich ..... D12/110  
D549,137 S \* 8/2007 Heinrich ..... D12/110

D551,129 S \* 9/2007 Takeda ..... D12/110  
D567,717 S \* 4/2008 Hishiki ..... D12/110  
D581,839 S \* 12/2008 Sasanami ..... D12/110  
D582,316 S \* 12/2008 Stenegard ..... D12/110  
D582,320 S \* 12/2008 Tanaka ..... D12/110  
D588,961 S \* 3/2009 Tanaka ..... D12/110  
D591,204 S \* 4/2009 Matsuzawa ..... D12/110  
D591,205 S \* 4/2009 Heinrich ..... D12/110  
D594,786 S \* 6/2009 Sakata ..... D12/110  
D596,082 S \* 7/2009 Ueno ..... D12/110  
D597,449 S \* 8/2009 Nagao ..... D12/110  
D601,458 S \* 10/2009 Nagao ..... D12/110  
D605,089 S \* 12/2009 Tanaka ..... D12/110  
D605,090 S \* 12/2009 Tanaka ..... D12/110  
D606,457 S \* 12/2009 Tanaka ..... D12/110  
D611,390 S \* 3/2010 Toriyama ..... D12/110  
D638,756 S \* 5/2011 Kouchi ..... D12/110  
D643,341 S \* 8/2011 Uchiyama ..... D12/110  
D647,824 S \* 11/2011 Kouchi ..... D12/110  
D647,825 S \* 11/2011 Shibuta ..... D12/110  
D669,397 S \* 10/2012 Isokari ..... D12/110

(Continued)

Primary Examiner — Darlington Ly  
(74) Attorney, Agent, or Firm — Cantor Colburn LLP

(57) **CLAIM**  
The ornamental design for a motor scooter, as shown and described.

**DESCRIPTION**

1. Motor scooter  
1.1 is a front and left side perspective view of a motor scooter showing our new design;  
1.2 is a front elevation view thereof;  
1.3 is a rear elevation view thereof;  
1.4 is a left side elevation view thereof;  
1.5 is a right side elevation view thereof;  
1.6 is a top plan view thereof;  
1.7 is a bottom plan view thereof;  
1.8 is a front and right side perspective view thereof;  
1.9 is a top, rear, and left side perspective thereof; and  
1.10 is a top, rear, and right side perspective view thereof.

**1 Claim, 10 Drawing Sheets**



(56)

**References Cited**

## U.S. PATENT DOCUMENTS

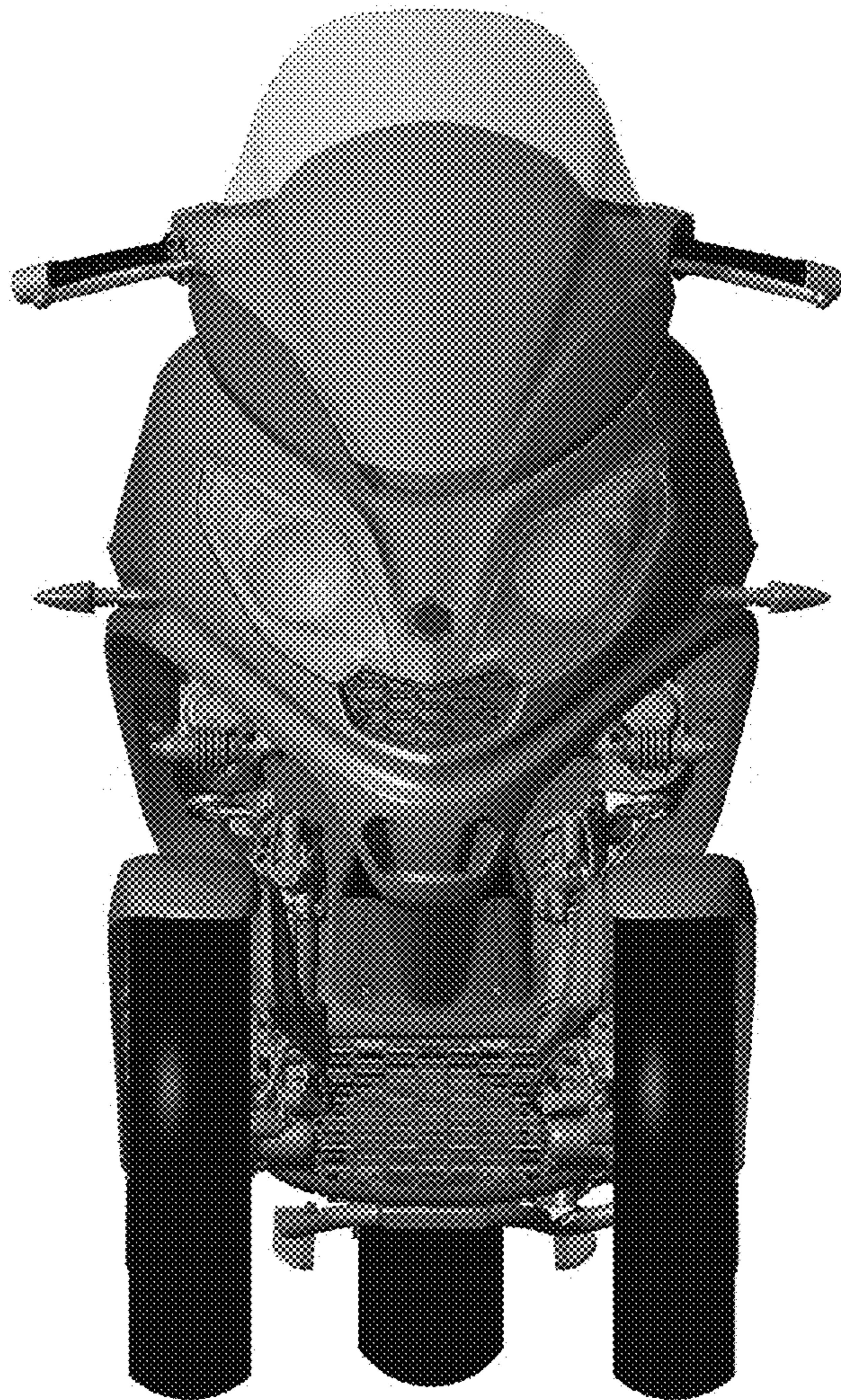
D669,821	S *	10/2012	Nishihara	.....	D12/110
D670,204	S *	11/2012	Yasuhara	.....	D12/110
D686,538	S *	7/2013	Nagao	.....	D12/110
D688,982	S *	9/2013	Oyanagi	.....	D12/110
D688,983	S *	9/2013	Shibuta	.....	D12/110
D689,406	S *	9/2013	Yasuhara	.....	D12/110
D694,673	S *	12/2013	Katagiri	.....	D12/110
8,807,259	B2 *	8/2014	Tominaga	.....	B60G 17/016 180/219
8,827,024	B1 *	9/2014	Sumi	.....	B62M 9/16 180/227
D718,669	S *	12/2014	Kiska	.....	D12/110
D723,431	S *	3/2015	Noguchi	.....	D12/110
D735,085	S *	7/2015	Buckan	.....	D12/110
D736,677	S *	8/2015	Iimura	.....	D12/110
D755,084	S *	5/2016	Sakata	.....	D12/110
D755,680	S *	5/2016	Yashuhara	.....	D12/110
D755,681	S *	5/2016	Martin	.....	D12/110
D755,682	S *	5/2016	Hahn-Woernle	.....	D12/110
D756,268	S *	5/2016	Yamada	.....	D12/110
D758,923	S *	6/2016	Yamada	.....	D12/110
D758,924	S *	6/2016	Tamura	.....	D12/110
D795,746	S *	8/2017	Akita	.....	D12/110
D797,002	S *	9/2017	Toyama	.....	D12/110
D801,230	S *	10/2017	Endo	.....	D12/110
2012/0318598	A1 *	12/2012	Fujiyama	.....	B62J 25/00 180/219
2014/0084565	A1 *	3/2014	Nakamura	.....	B62K 25/286 280/284
2015/0101875	A1 *	4/2015	Inayama	.....	F02B 37/183 180/225

\* cited by examiner

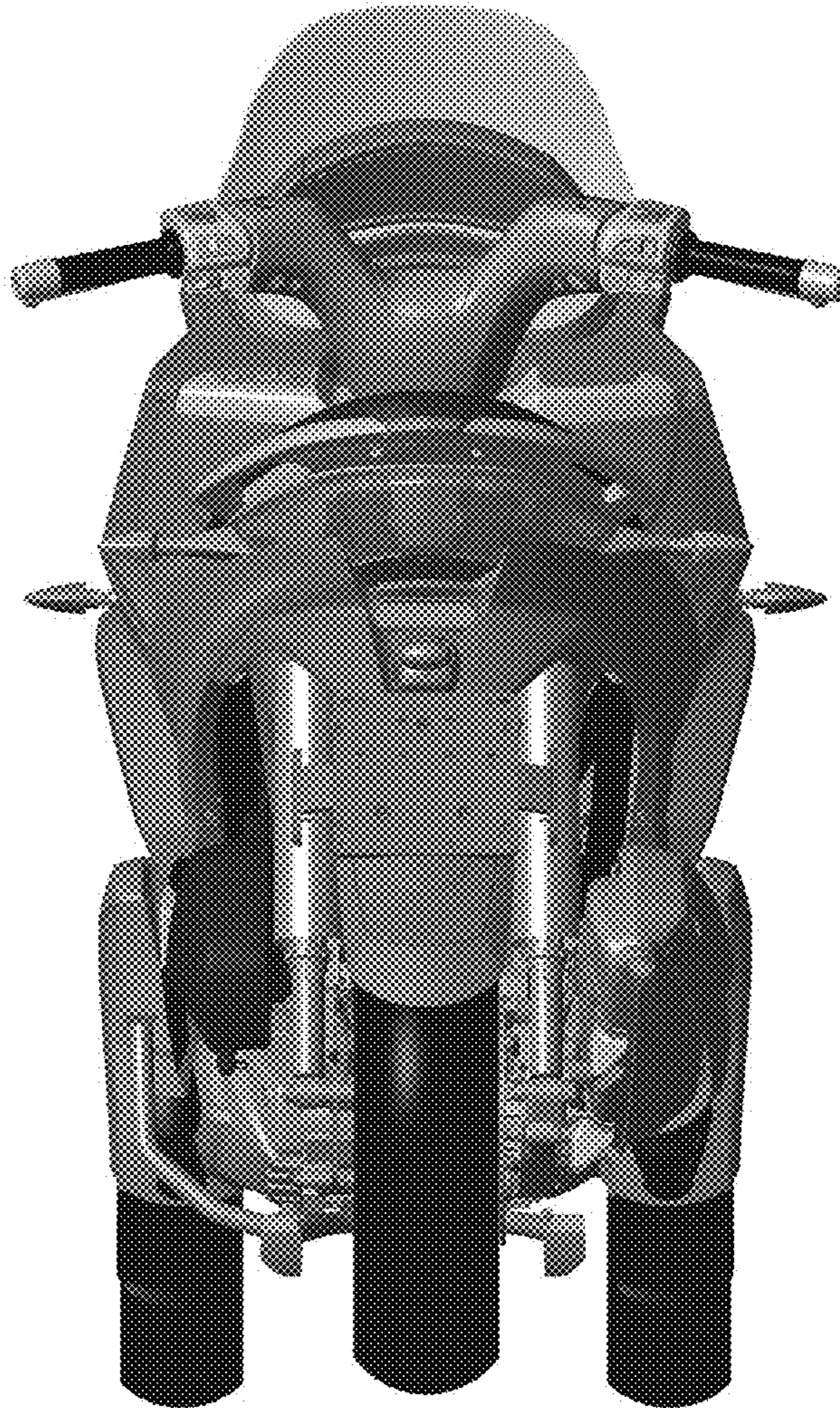
1.1



1.2



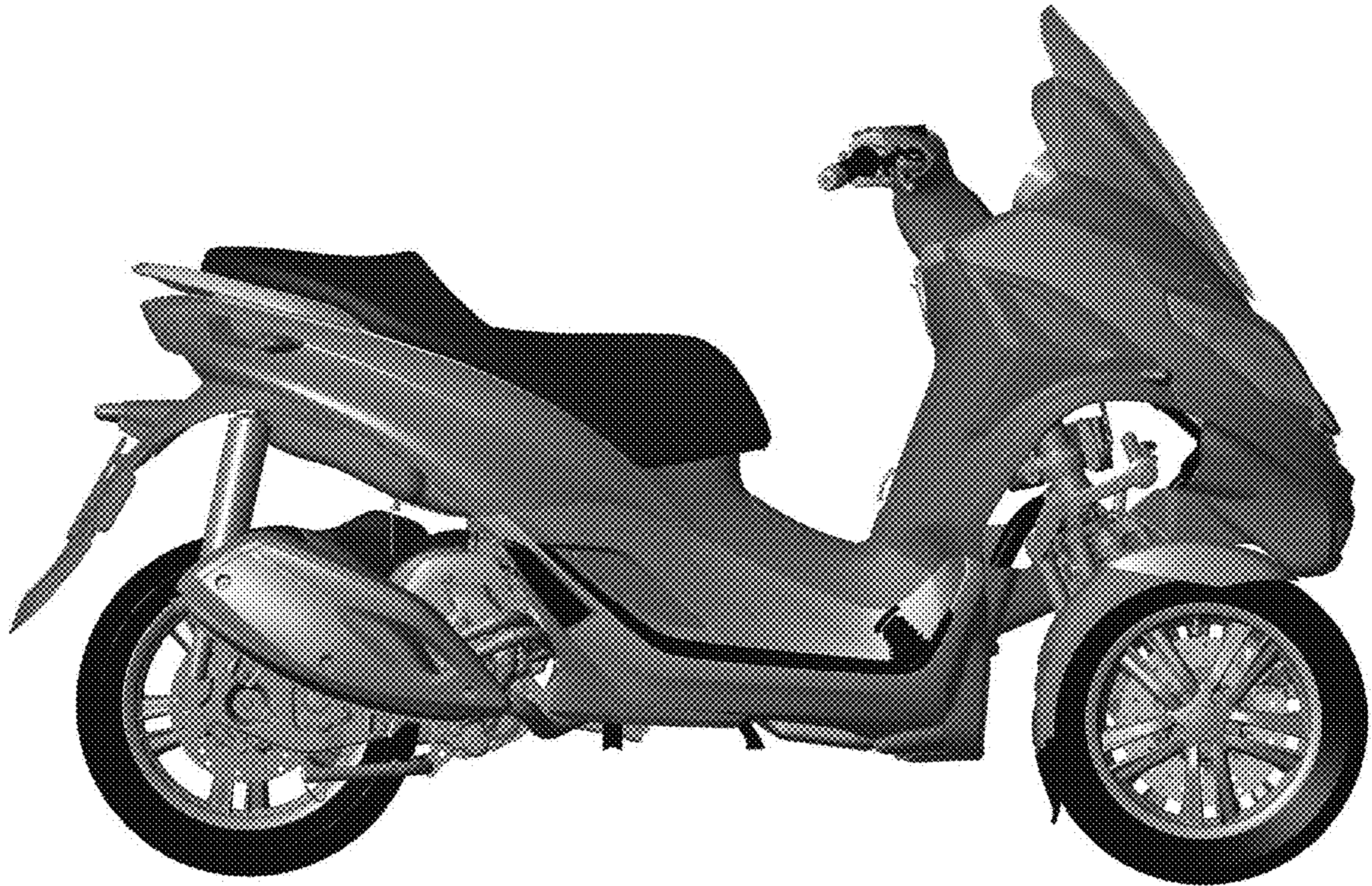
1.3



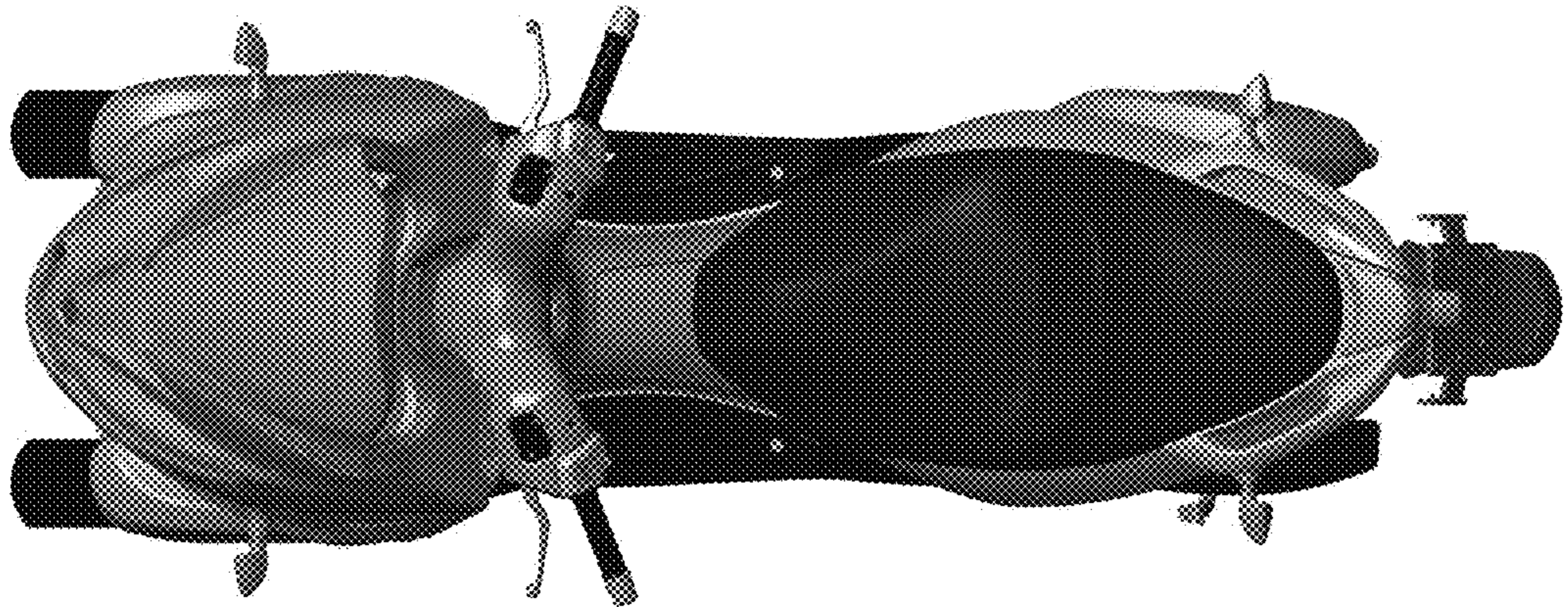
1.4



1.5

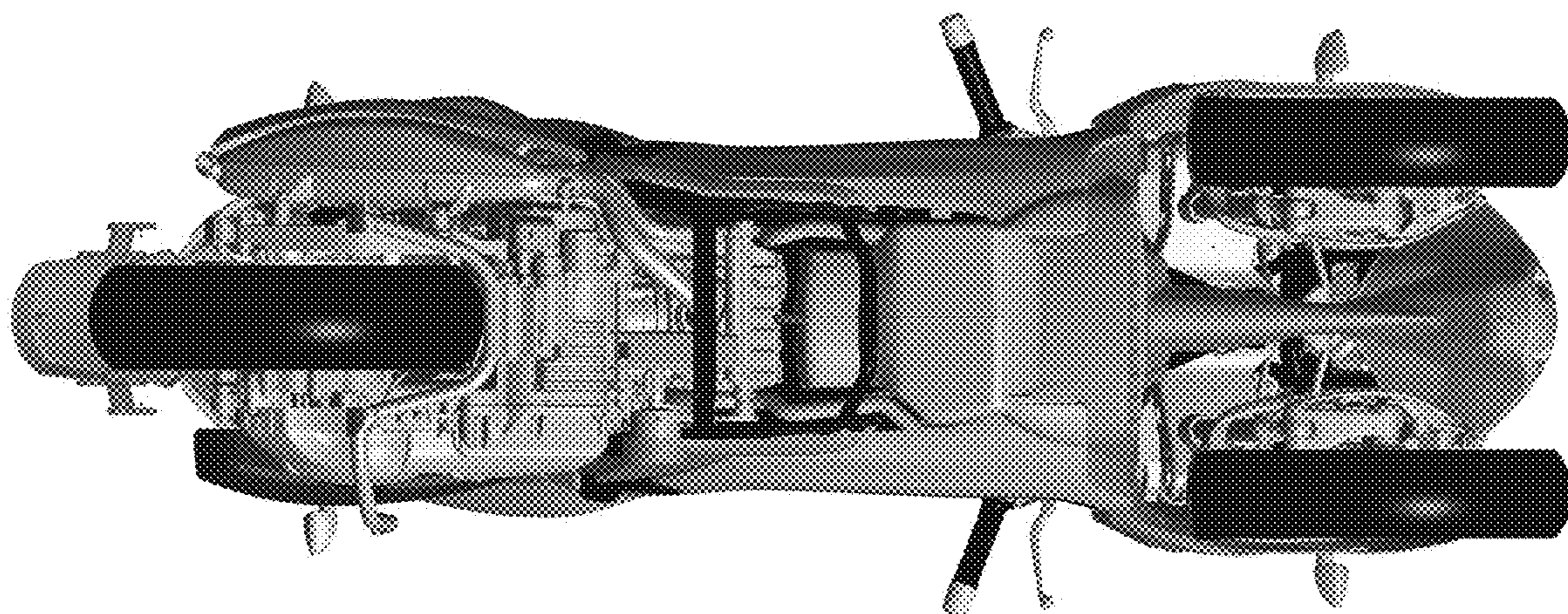


1.6





1.7



1.8



1.9



1.10

