



US00D902786S

(12) **United States Design Patent**
Johnson

(10) **Patent No.:** **US D902,786 S**

(45) **Date of Patent:** **** Nov. 24, 2020**

(54) **MOUNTING RACK**

(71) Applicant: **Corey B. Johnson**, Hyrum, UT (US)

(72) Inventor: **Corey B. Johnson**, Hyrum, UT (US)

(**) Term: **15 Years**

(21) Appl. No.: **29/690,558**

(22) Filed: **May 9, 2019**

(51) **LOC (12) Cl.** **12-10**

(52) **U.S. Cl.**
USPC **D12/106**

(58) **Field of Classification Search**
USPC D12/106, 406, 414, 414.1, 223, 196;
D8/349, 354, 363, 366, 371, 373, 376,
D8/377, 380, 381, 394-396, 400;
D25/133-136, 127, 125, 119, 164, 199,
D25/139, 141, 138; D26/138; D13/154,
D13/133, 129, 199; 410/32, 100, 101,
410/102, 116, 117, 97; 211/60.1
CPC B60P 7/08; B60P 7/0846; A47F 7/00
See application file for complete search history.

(56) **References Cited**

U.S. PATENT DOCUMENTS

4,013,253	A	3/1977	Perrault et al.	248/223.3
4,982,922	A	1/1991	Krause	248/222.2
D342,011	S *	12/1993	Maguire	D8/349
5,516,245	A	5/1996	Cassidy	410/101
5,641,254	A *	6/1997	Sullivan	B60N 2/90 410/98
5,807,047	A	9/1998	Cox	410/152
6,109,846	A	8/2000	Davis et al.	410/100
D438,448	S *	3/2001	Batting	D8/354
D442,705	S *	5/2001	Eaton	D25/121
6,412,835	B1	7/2002	Patterson	292/259
6,688,069	B2 *	2/2004	Zadeh	E04B 1/2403 52/712
6,939,096	B1	9/2005	Cline et al.	410/135

6,974,140	B2	12/2005	Neuman	280/79.11
7,219,905	B1	5/2007	Wilson	280/79.7
D556,421	S *	11/2007	Weise	D34/38
D556,422	S *	11/2007	Weise	D34/38
D556,423	S *	11/2007	Weise	D34/38
D556,424	S *	11/2007	Weise	D34/38
D556,425	S *	11/2007	Weise	D34/38
7,438,510	B1 *	10/2008	Ledford	B60P 7/0807 410/106

(Continued)

OTHER PUBLICATIONS

8' Horizontal Galvanized E Track, UScargoControl.com, Oldest Review date: Dec. 16, 2014 6:02:45 pm by HLS, [online], [site visited Jun. 19, 2020]. <URL: https://www.uscargocontrol.com/E-Track-8-Horizontal-Galvanized?gclid=EAlalQobChMIcmVq6-O6gIVFICh0suwBIEAQYASABEgl8_PD_BwE> (Year: 2014).*

(Continued)

Primary Examiner — T Chase Nelson
Assistant Examiner — Jonathan J. Han
(74) *Attorney, Agent, or Firm* — Michael R. Schramm

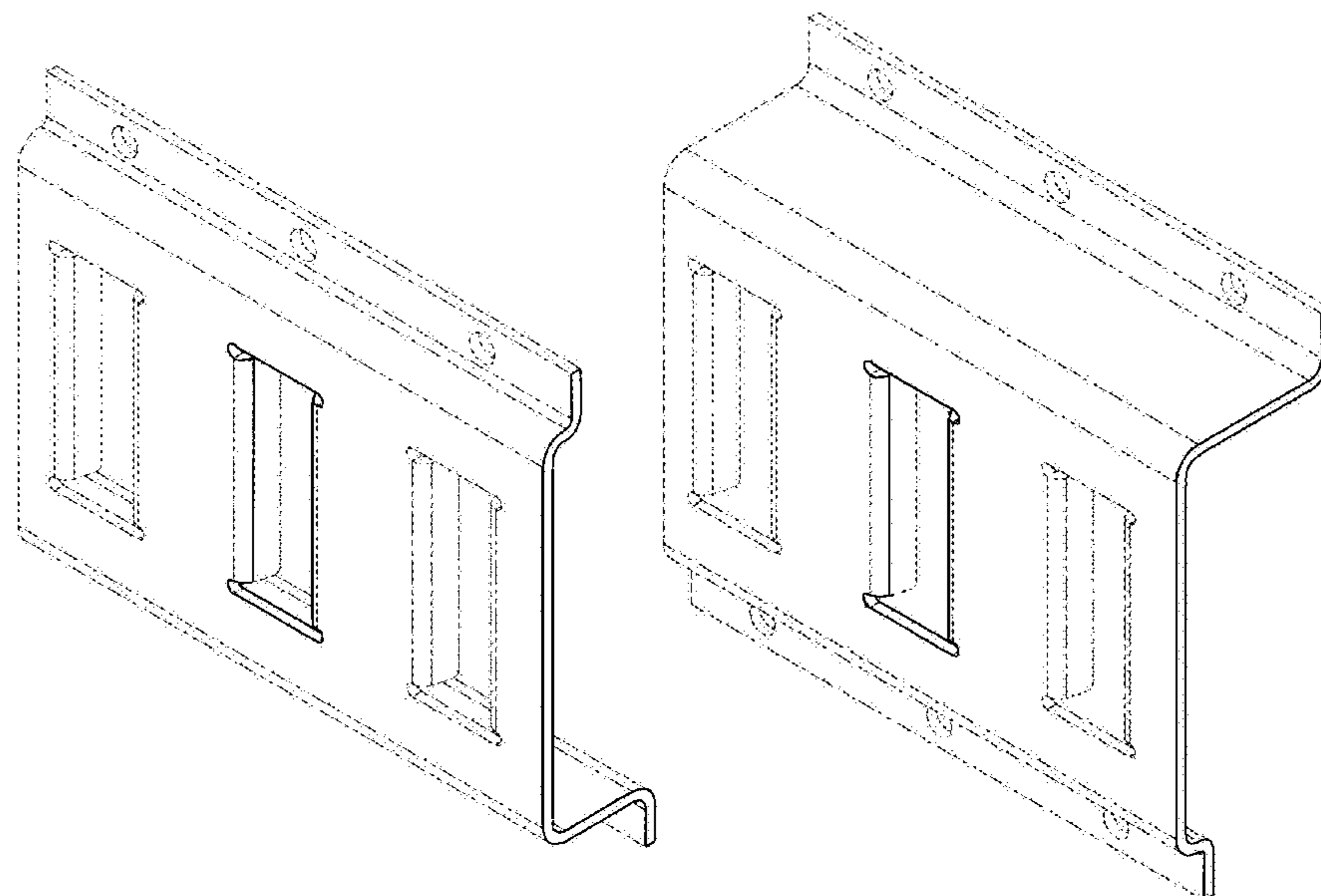
(57) **CLAIM**

The ornamental design for a mounting rack, as shown and described.

DESCRIPTION

FIG. 1 is a top, front and side trimetric view of a first embodiment of the mounting rack showing my new design; FIG. 2 is a front view of the first embodiment; FIG. 3 is a right side view of the first embodiment; FIG. 4 is a top, front and side trimetric view of a second embodiment of the mounting rack showing my new design; FIG. 5 is a front view of the second embodiment; and, FIG. 6 is a right side view of the second embodiment. The broken lines in the figures illustrate portions of the mounting rack that form no part of the claimed design.

1 Claim, 6 Drawing Sheets



(56)

References Cited

U.S. PATENT DOCUMENTS

7,628,281 B2 12/2009 Sopel 211/7
 D628,539 S * 12/2010 Tezak D13/152
 8,028,845 B2 10/2011 Himes 211/103
 D654,350 S * 2/2012 Preda D8/354
 D661,820 S * 6/2012 Rider D25/119
 D667,718 S * 9/2012 Preda D8/354
 D689,199 S * 9/2013 Elizarraras D25/136
 8,683,770 B2 * 4/2014 diGirolamo E04B 2/768
 248/909
 8,764,358 B2 7/2014 Bose 410/32
 8,813,978 B2 8/2014 Cassway et al. 211/41.1
 8,985,922 B2 3/2015 Neumann B60P 7/0807
 D732,373 S * 6/2015 Wagner D8/349
 9,346,392 B1 5/2016 Neal et al. B60P 7/0815
 D790,733 S * 6/2017 Singh D25/119
 9,725,027 B2 8/2017 Hemphill et al. B60P 7/0815
 D815,313 S * 4/2018 Ralph D25/199
 D817,149 S * 5/2018 Ralph D8/349
 D821,611 S * 6/2018 Singh D25/119
 D824,430 S * 7/2018 Sivinski D15/28
 10,081,291 B2 * 9/2018 Graves B60P 7/0807
 D830,812 S * 10/2018 Kanter D8/354
 D839,078 S * 1/2019 Stahl D8/349
 D840,281 S * 2/2019 Brennan D12/162
 D845,750 S * 4/2019 Denby D8/381
 D850,892 S * 6/2019 Lin D8/373
 D869,936 S * 12/2019 Smith D8/349
 D874,250 S * 2/2020 Stoops D8/355
 D883,073 S * 5/2020 Jaramillo D8/354
 2005/0151336 A1 7/2005 Neuman 280/79.11
 2007/0163972 A1 7/2007 Sopel 211/60.1
 2008/0083860 A1 4/2008 Neumann 248/224.8

2008/0185489 A1 * 8/2008 Ehrgott A47B 96/067
 248/224.7
 2009/0120888 A1 5/2009 Himes 211/103
 2010/0162538 A1 7/2010 Neumann 24/593.1
 2012/0091087 A1 4/2012 Hines 211/86.01
 2013/0136556 A1 5/2013 Bose B60P 7/08
 2013/0213914 A1 8/2013 Cassway et al. 211/86.01
 2013/0251474 A1 9/2013 Neumann B60P 7/0807
 2014/0360957 A1 12/2014 Himes B60P 7/0815
 2017/0174119 A1 6/2017 Hemphill et al. B60P 7/0815
 2017/0297474 A1 10/2017 Hemphill et al. B60P 7/0815
 2018/0264985 A1 * 9/2018 Johnson B60P 3/077
 2018/0264988 A1 * 9/2018 Johnson B60P 7/0892
 2019/0135163 A1 * 5/2019 Moua B60P 7/0846
 2019/0283652 A1 * 9/2019 Johnson B60P 7/0807

OTHER PUBLICATIONS

5' E Track Tie-Down Rail, Amazon.com, Date First Available: Aug. 14, 2015, [online], [site visited Jun. 19, 2020]. <URL: https://www.amazon.com/dp/B013ZA8W3I/ref=sspa_dk_detail_6?psc=1&pd_rd_i=B013ZA8W3I&pd_rd_w=Pvmsw&pf_rd_p=a64be657-55f3-4b6a-91aa-17a31a8febb4&pd> (Year: 2015).*

Erickson Horizontal E-Track—Zinc Plated Steel—2,000 lbs—2' Long—QTY 1, eTrailer.com, Oldest Review: by: Dr. Kreller Oct. 18, 2016, [online], [site visited Jun. 19, 2020]. <URL: <https://www.etrailer.com/E-Track/Erickson/EM59150.html>> (Year: 2016).*

Harbor Freight E-Track and Tie Down Ring Review Item 66726 and 66728, YouTube.com, ghostses, Oct. 3, 2016, [online], [site visited Jun. 19, 2020]. <URL: <https://www.youtube.com/watch?v=xuPE-s1kEg8>> (Year: 2016).*

* cited by examiner

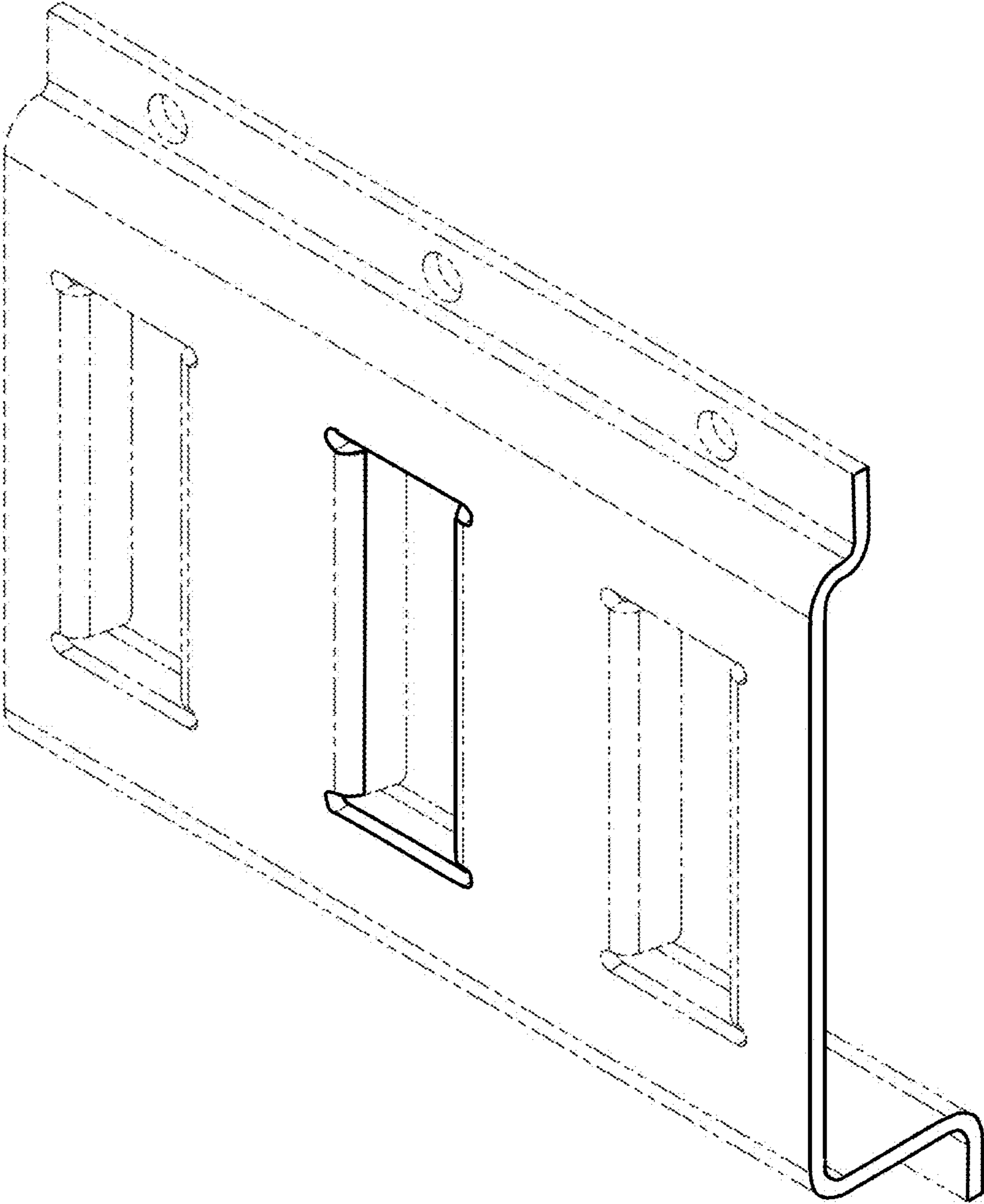


Fig. 1

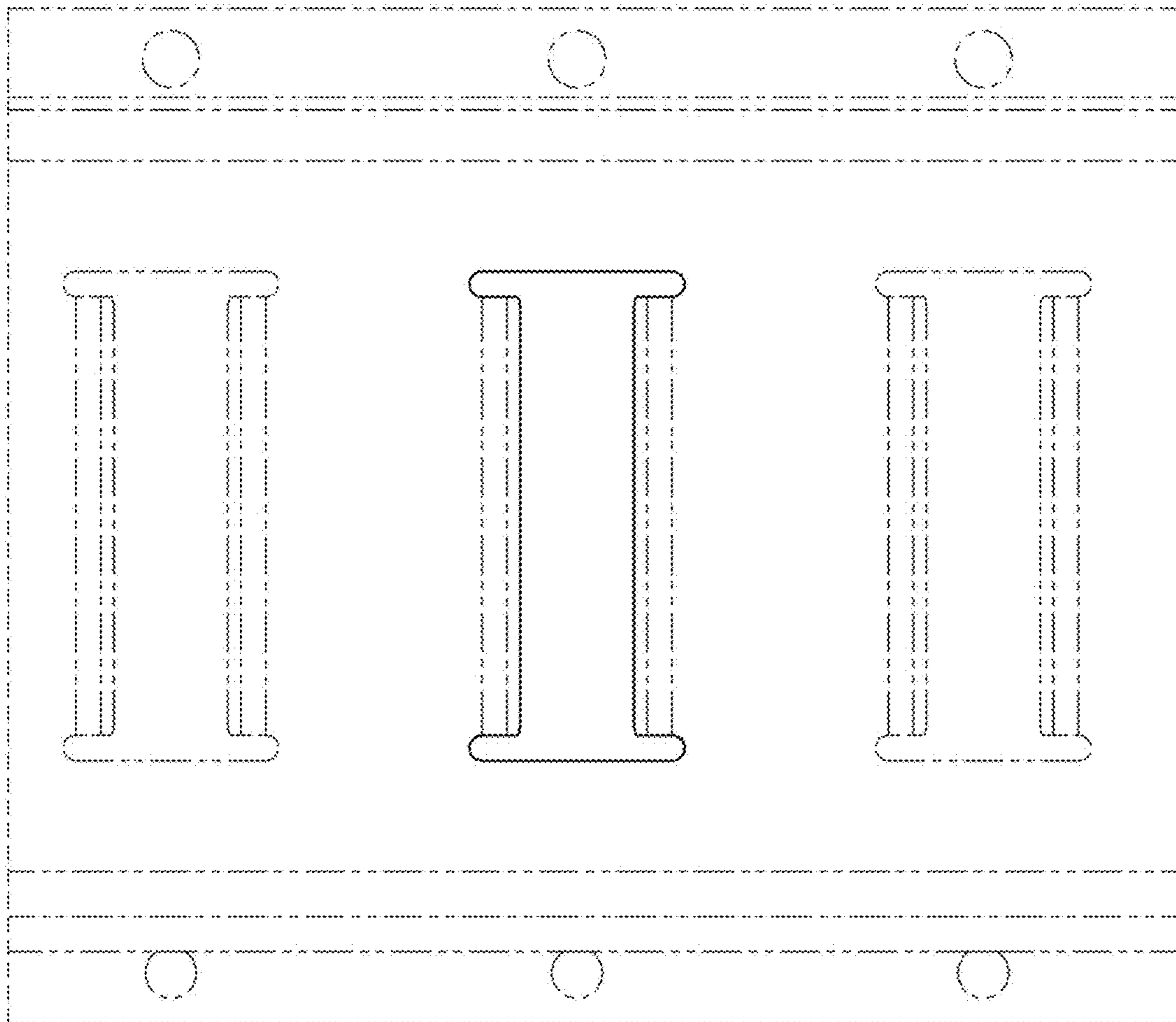


Fig. 2

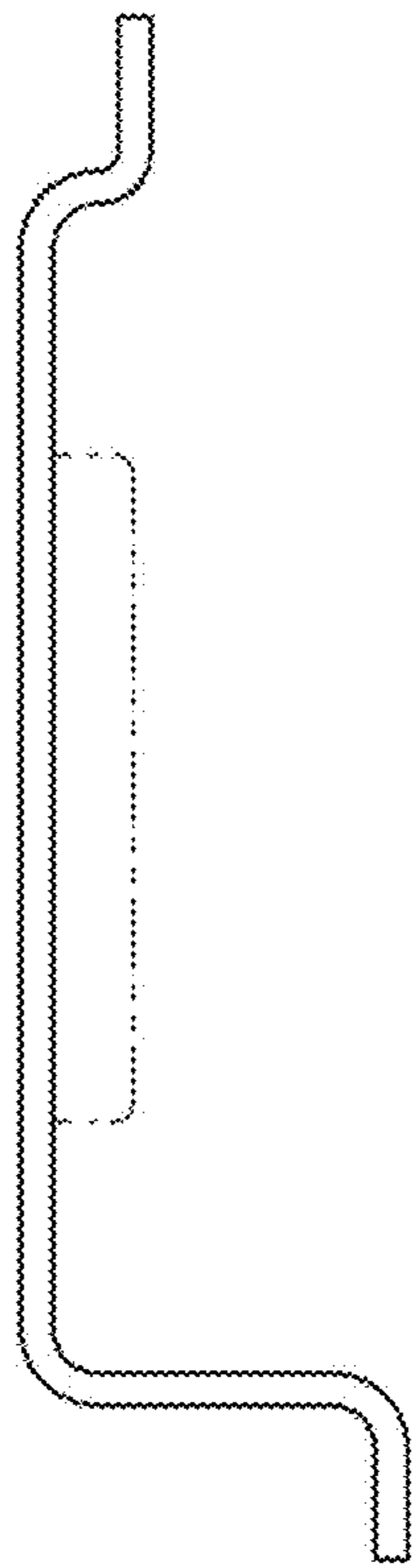


Fig. 3

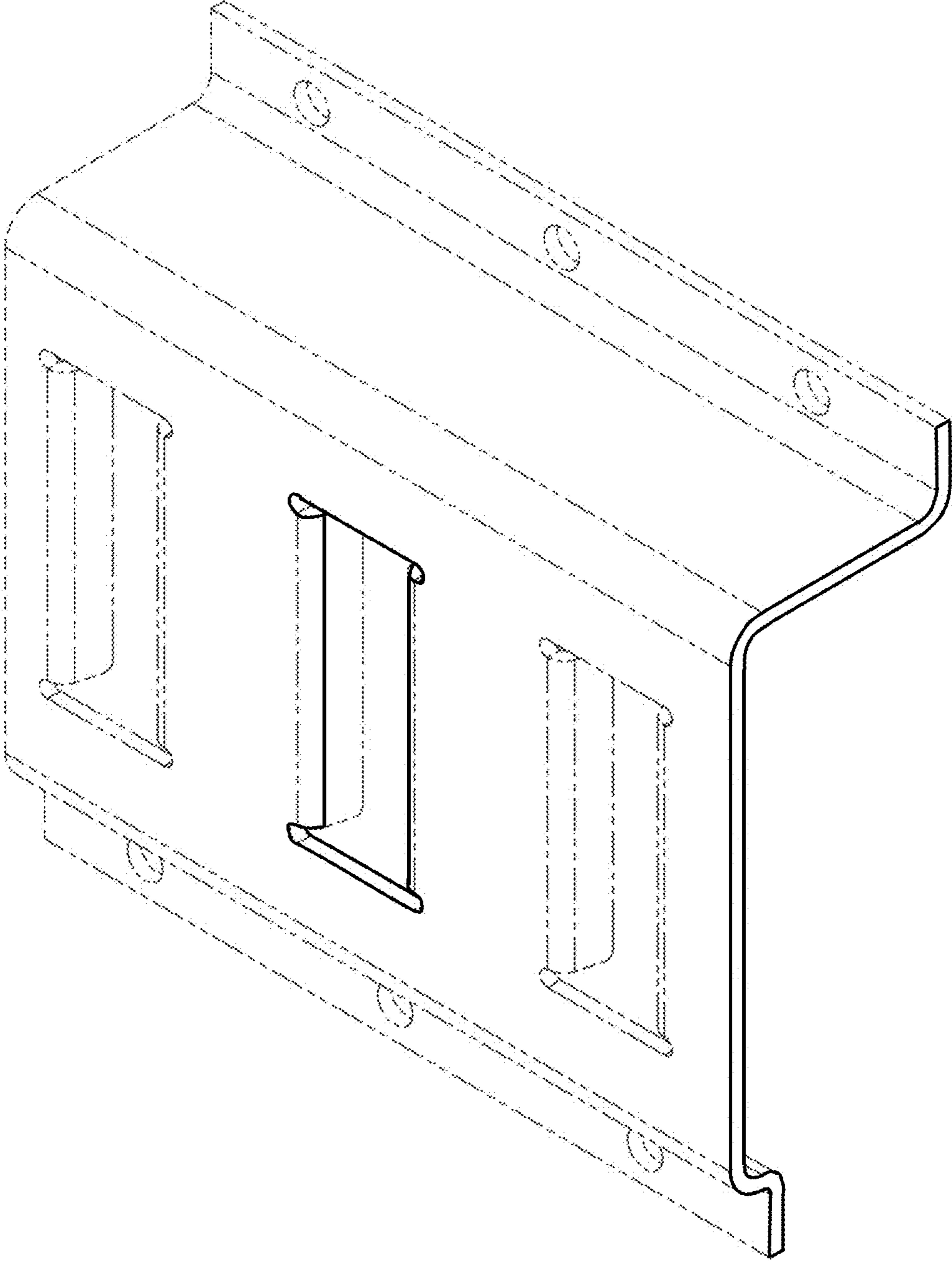


Fig. 4

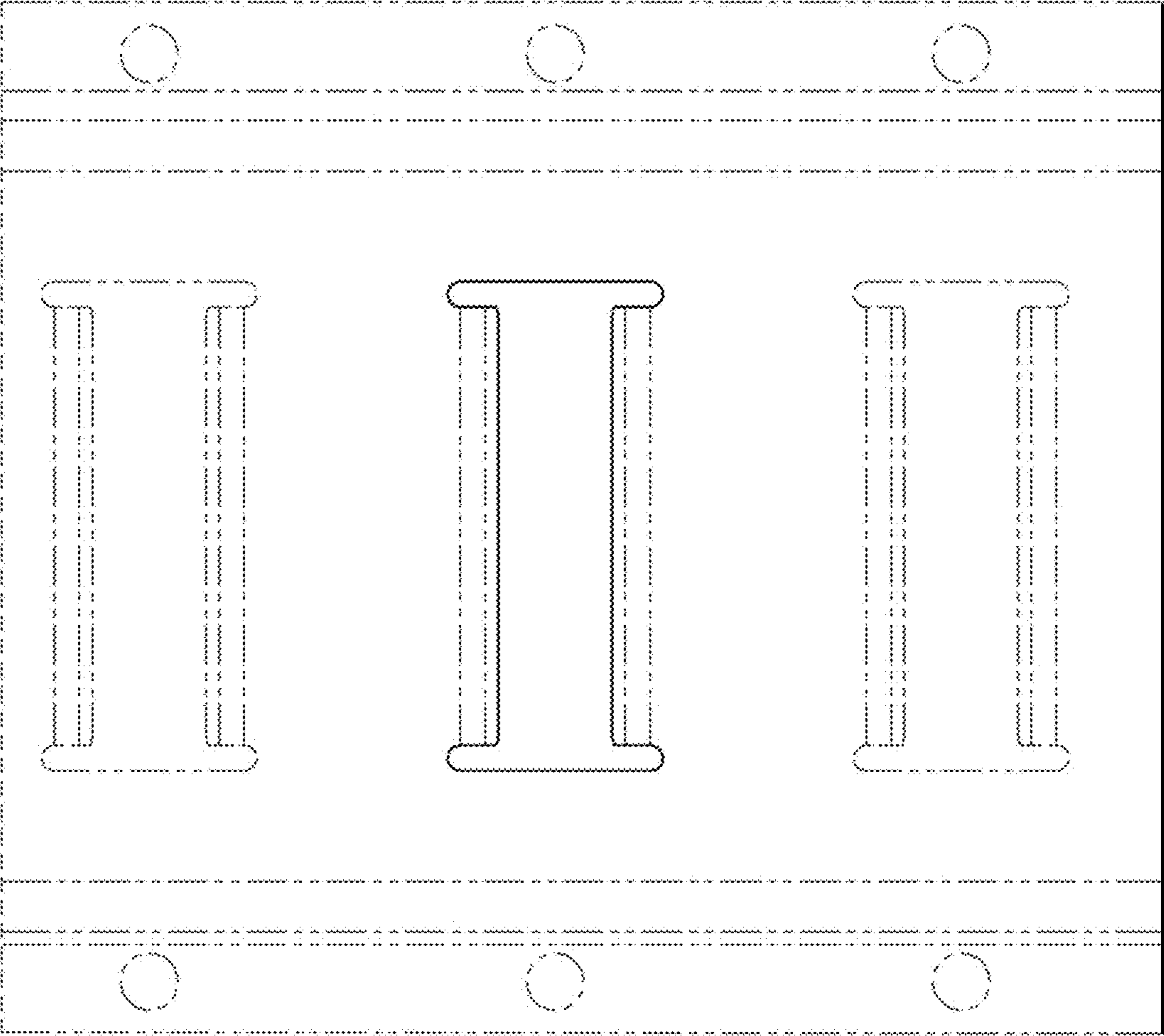


Fig. 5

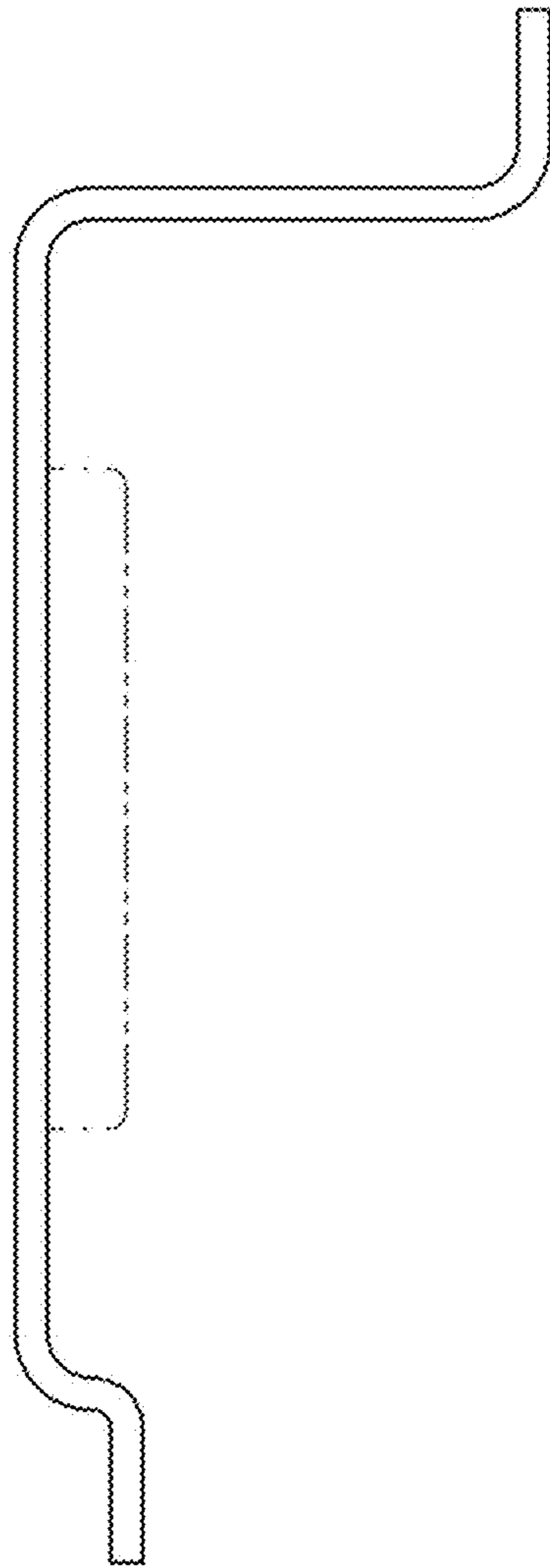


Fig. 6