



US00D902785S

(12) **United States Design Patent**  
**Xu et al.**

(10) **Patent No.:** **US D902,785 S**

(45) **Date of Patent:** **\*\* Nov. 24, 2020**

(54) **AUTOMOBILE**

(71) Applicant: **Chongqing Jinkang New Energy Automobile Co., Ltd.**, Chongqing (CN)

(72) Inventors: **Lin Xu**, Chongqing (CN); **Hongzhi Wang**, Chongqing (CN); **Bo Lun**, Chongqing (CN); **Wengang Yuan**, Chongqing (CN)

(73) Assignee: **Chongqing Jinkang New Energy Automobile Co., Ltd.**, Chongqing (CN)

(\*\*) Term: **15 Years**

(21) Appl. No.: **29/678,066**

(22) Filed: **Jan. 25, 2019**

(30) **Foreign Application Priority Data**

Jul. 25, 2018 (GB) ..... 6039804

(51) **LOC (12) Cl.** ..... **12-08**

(52) **U.S. Cl.**  
USPC ..... **D12/99**; D12/91

(58) **Field of Classification Search**  
USPC ..... D12/86, 90-92, 88, 164; D21/424, 433,  
D21/434; 296/181.1-181.5, 183.1  
CPC ..... B62D 25/00; B62D 25/06; B62D 33/00;  
B62D 35/00  
See application file for complete search history.

(56) **References Cited**

**U.S. PATENT DOCUMENTS**

D547,239 S \* 7/2007 Murakawa ..... D12/92  
D574,754 S \* 8/2008 Miniati ..... D12/92

D797,606 S \* 9/2017 Oh ..... D12/92  
D808,302 S \* 1/2018 Oh ..... D12/92  
D817,815 S \* 5/2018 Hubers ..... D12/91  
D821,923 S \* 7/2018 Lee ..... D12/92  
D873,177 S \* 1/2020 Xu ..... D12/91  
D881,755 S \* 4/2020 Tomasson ..... D12/91  
D885,257 S \* 5/2020 Churchill ..... D12/91

\* cited by examiner

*Primary Examiner* — Melody N Brown

(74) *Attorney, Agent, or Firm* — Kilpatrick Townsend & Stockton, LLP

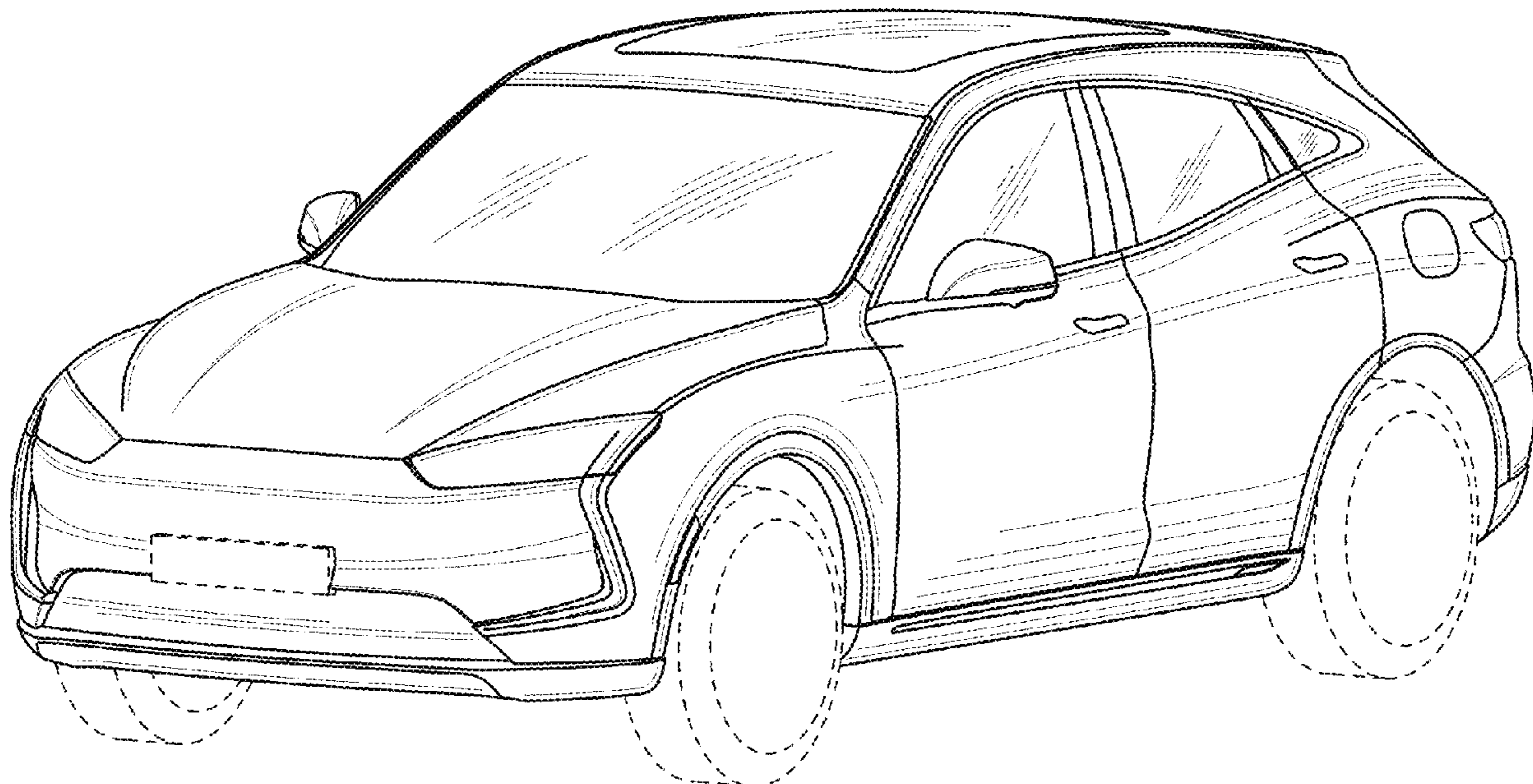
(57) **CLAIM**

The ornamental design of an automobile, as shown and described.

**DESCRIPTION**

FIG. 1 is a perspective view of an automobile showing our new design;  
FIG. 2 is a top plan view thereof;  
FIG. 3 is a bottom plan view thereof;  
FIG. 4 is a front elevation view thereof;  
FIG. 5 is a rear elevation view thereof;  
FIG. 6 is a left side elevation view thereof; and,  
FIG. 7 is a right side elevation view thereof.  
The broken lines immediately adjacent the shaded areas represent the bounds of the claimed design while other broken lines are directed to environment and/or are for illustrative purposes only. The broken lines shown throughout the drawing views are for illustrative and environmental purposes and form no part of the claimed design.

**1 Claim, 6 Drawing Sheets**



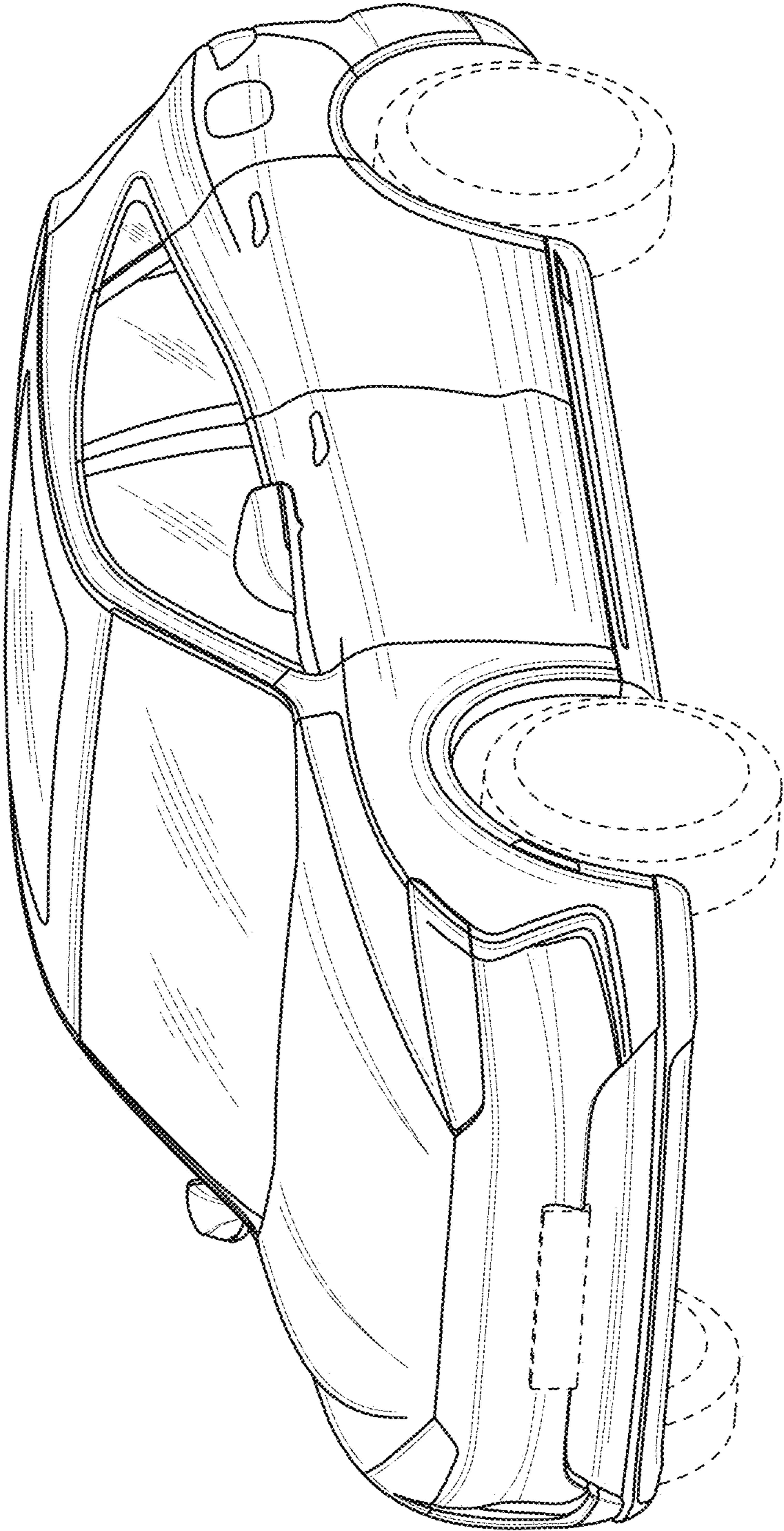


FIG. 1

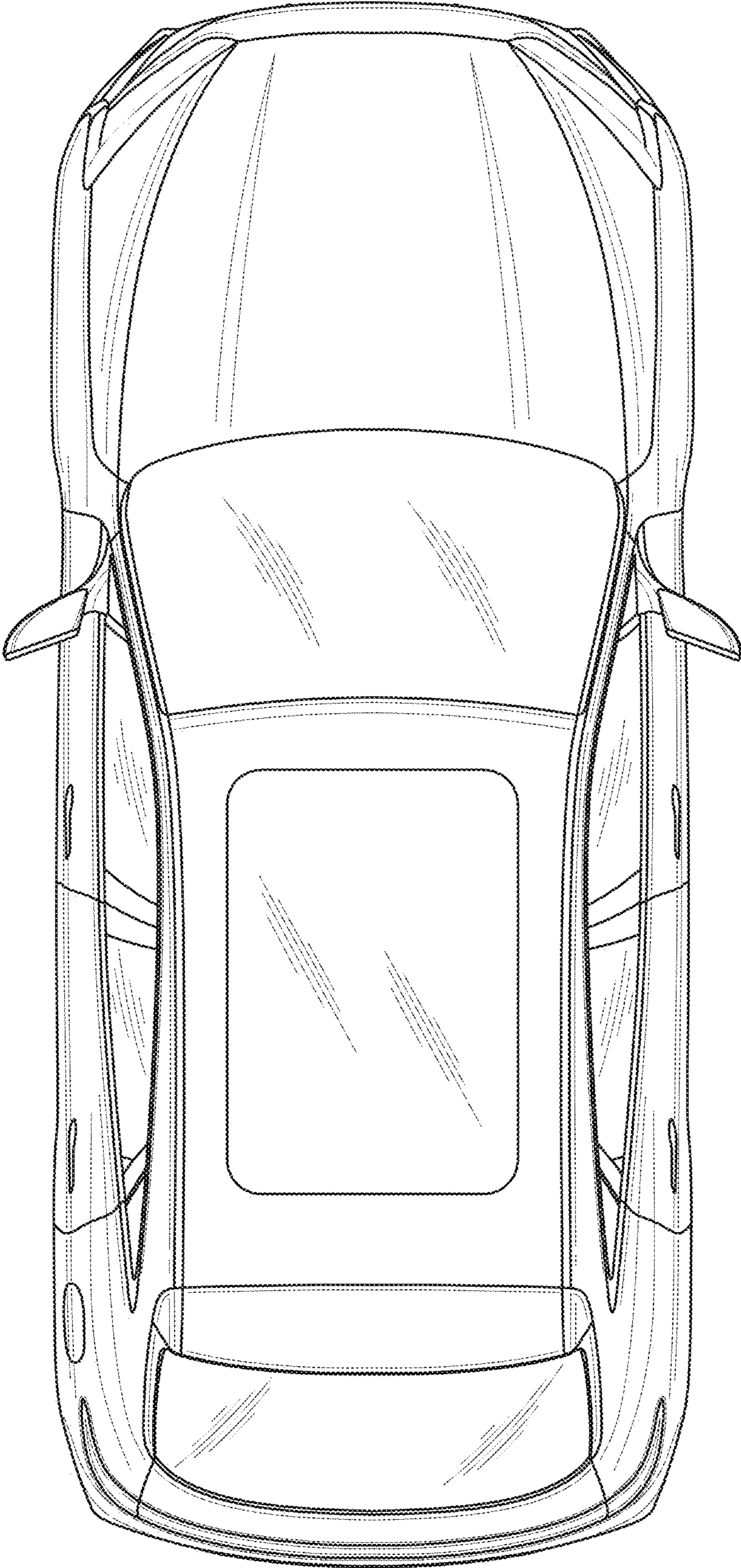


FIG. 2

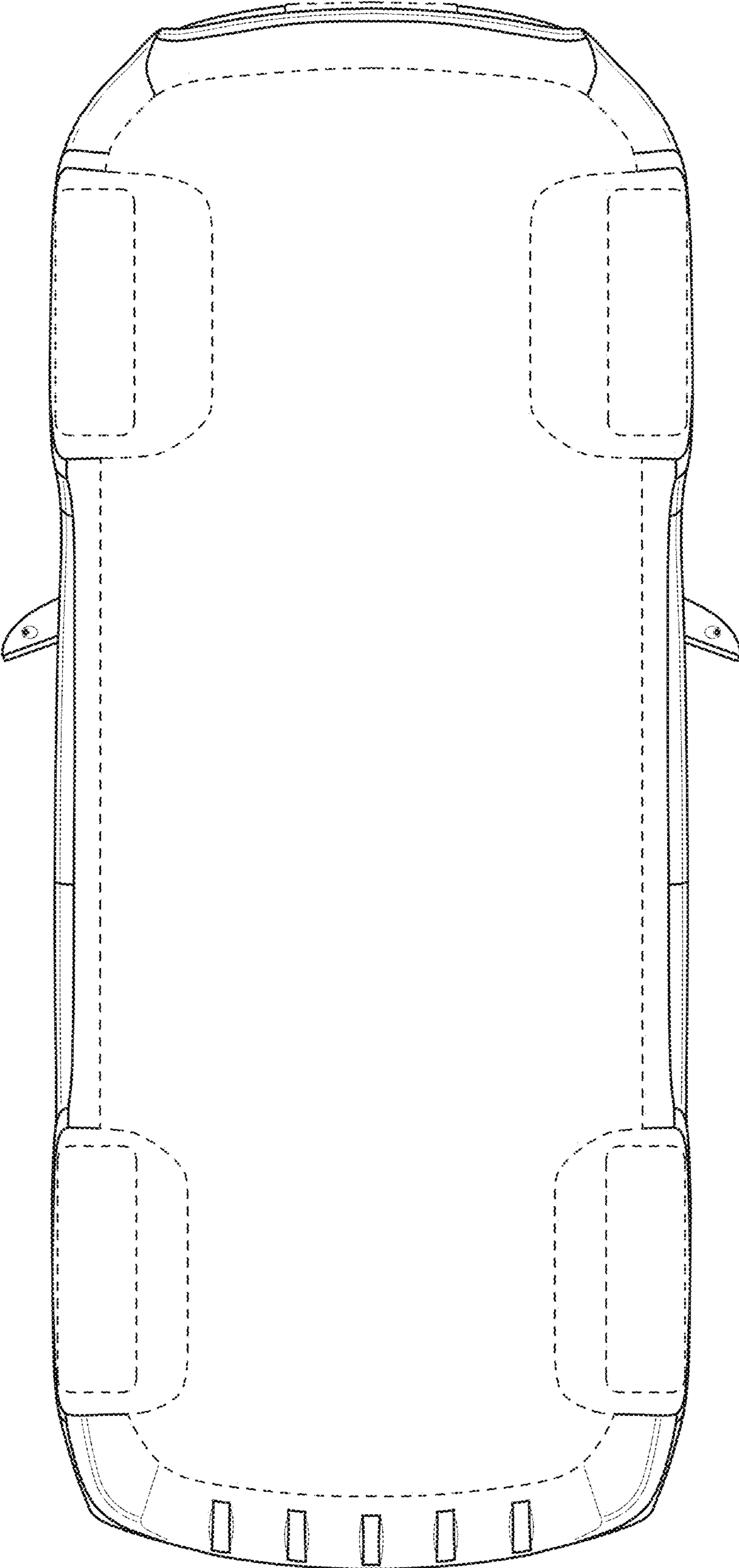


FIG. 3

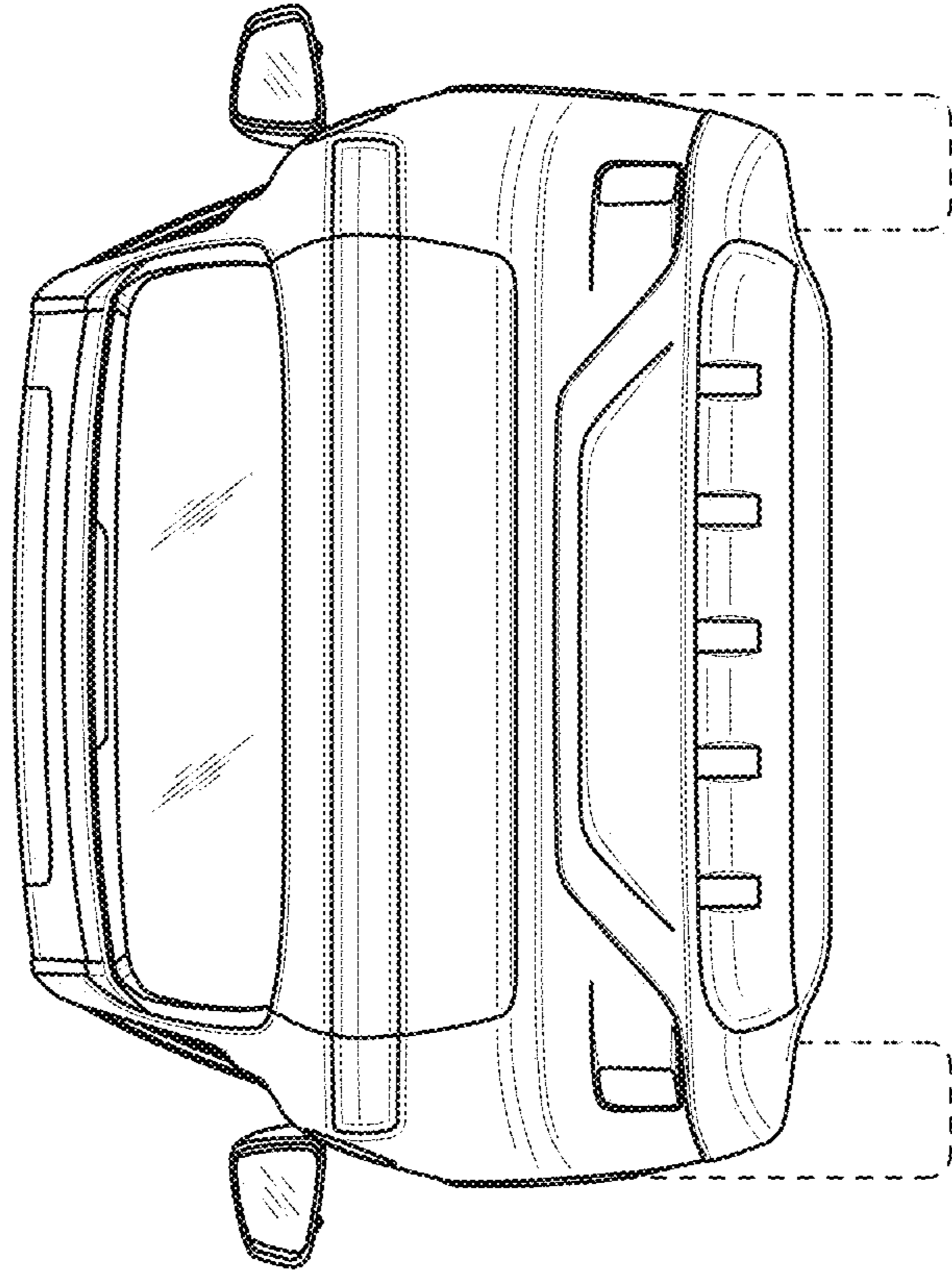


FIG. 4

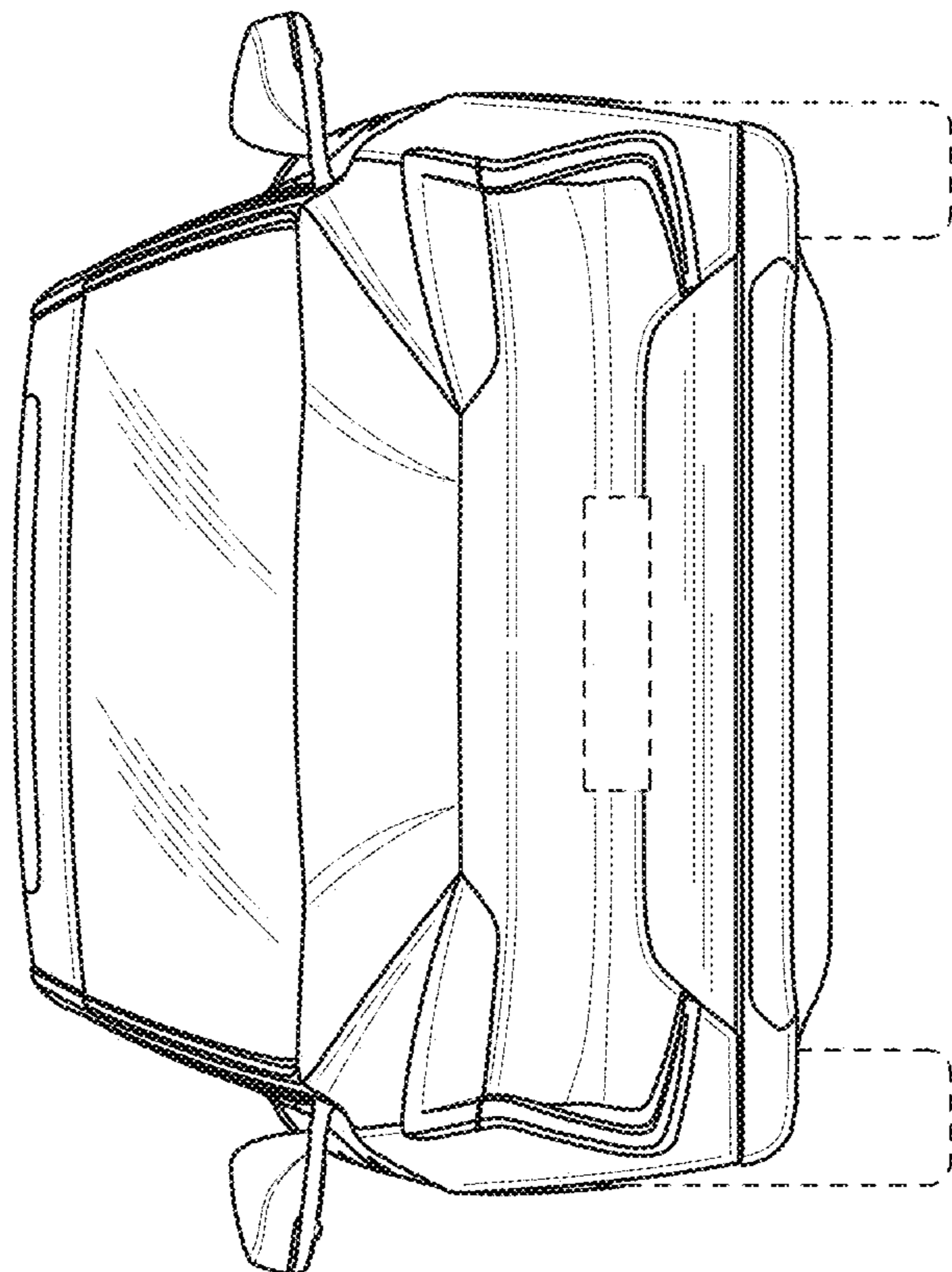


FIG. 5

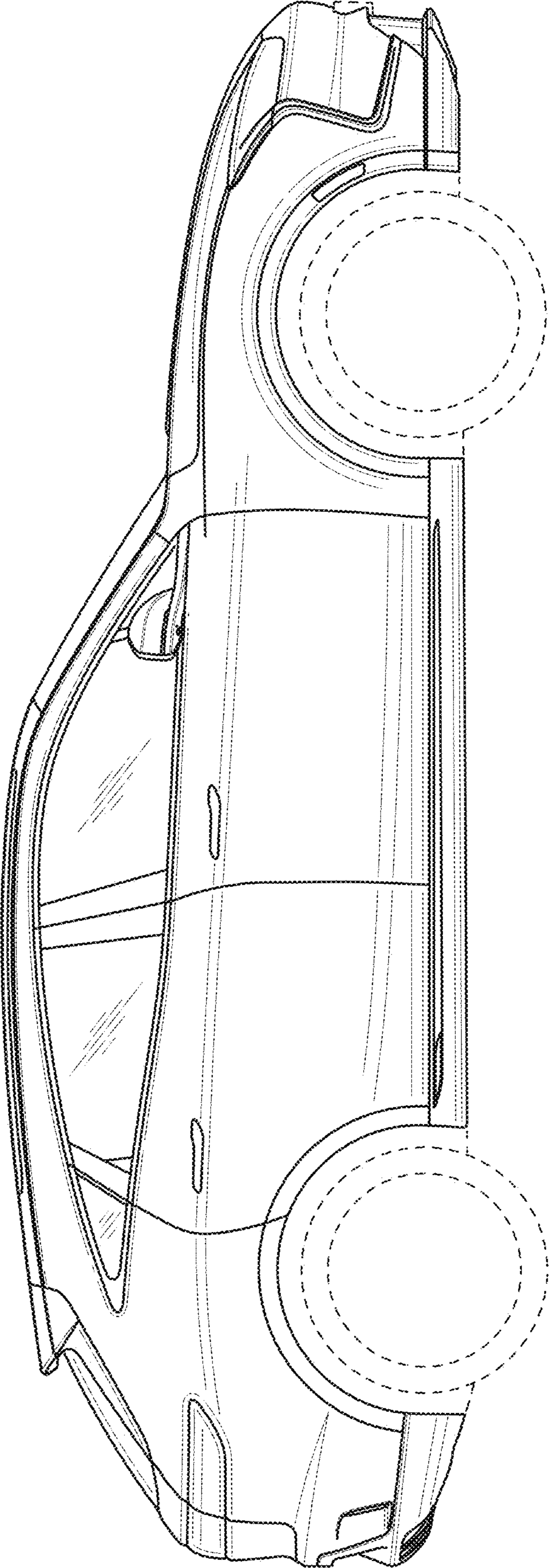


FIG. 6

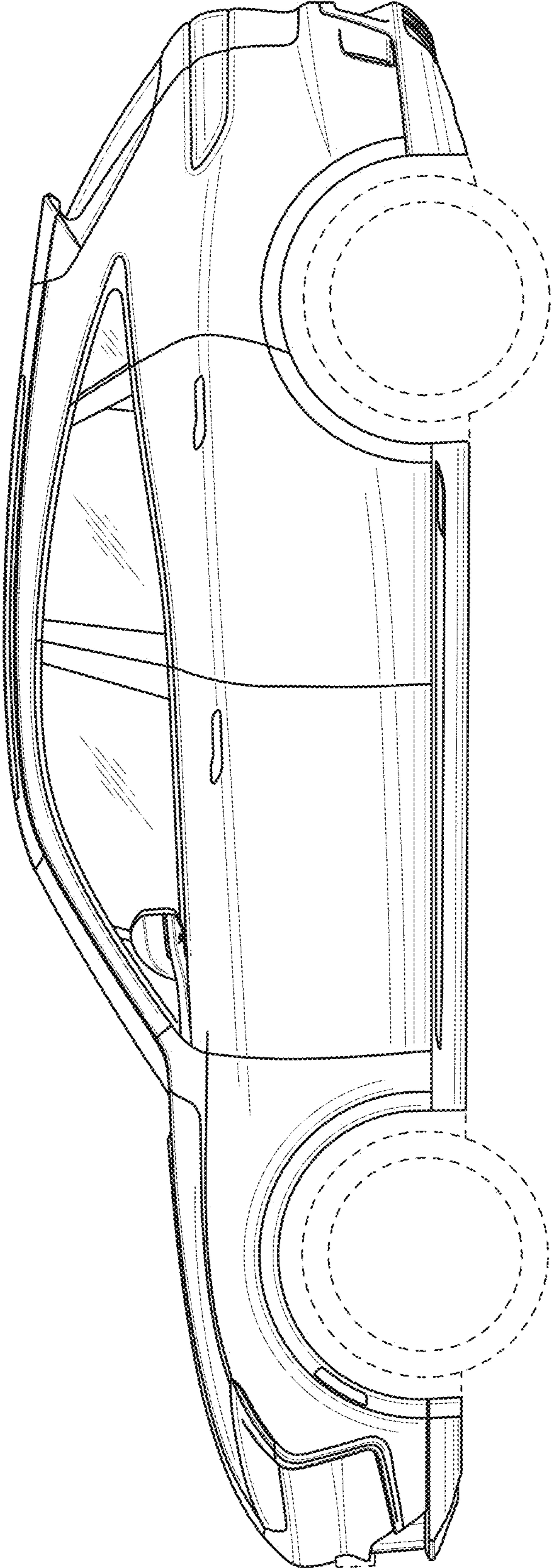


FIG. 7