



US00D902782S

(12) **United States Design Patent** (10) **Patent No.:** **US D902,782 S**
Trim et al. (45) **Date of Patent:** **** Nov. 24, 2020**

(54) **VEHICLE**

(71) Applicant: **Jaguar Land Rover Limited**, Coventry (GB)

(72) Inventors: **James Trim**, Coventry (GB); **Cesar Pieri**, Coventry (GB)

(73) Assignee: **Jaguar Land Rover Limited**, Coventry (GB)

(**) Term: **15 Years**

(21) Appl. No.: **29/721,412**

(22) Filed: **Jan. 21, 2020**

Related U.S. Application Data

(62) Division of application No. 29/677,465, filed on Jan. 21, 2019, now Pat. No. Des. 875,611, which is a (Continued)

(30) **Foreign Application Priority Data**

Nov. 30, 2016 (EM) 003493121-0001
Nov. 30, 2016 (EM) 003493121-0002
(Continued)

(51) **LOC (12) Cl.** **12-08**

(52) **U.S. Cl.**
USPC **D12/92**

(58) **Field of Classification Search**
USPC D12/86, 90-92, 88; D21/424, 433, 434, D21/533; 296/181.1-181.5, 183.1
(Continued)

(56) **References Cited**

U.S. PATENT DOCUMENTS

D718,188 S * 11/2014 Wheel D12/91
D735,610 S * 8/2015 Wheel D12/91
(Continued)

Primary Examiner — Melody N Brown

(74) *Attorney, Agent, or Firm* — Wood Herron & Evans LLP

(57) **CLAIM**

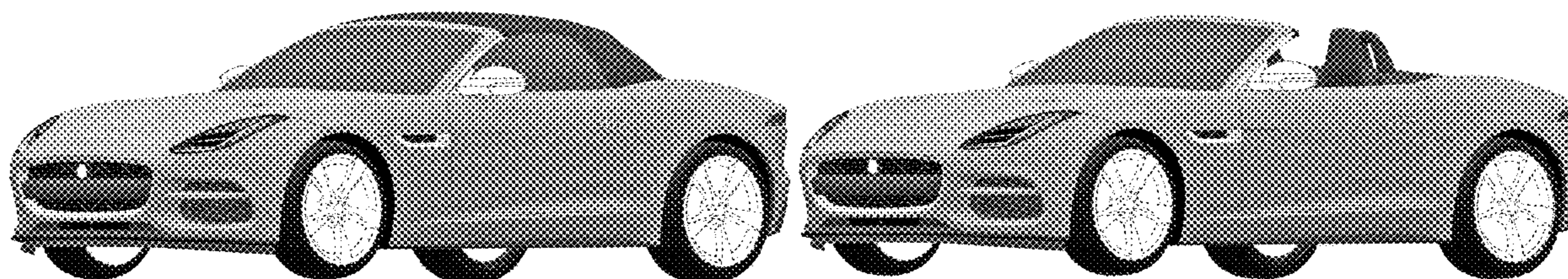
The ornamental design for a vehicle, as shown and described.

DESCRIPTION

FIG. 1 is a right, front perspective view of a vehicle showing our new design;
FIG. 2 is a left, front perspective view thereof;
FIG. 3 is a left, rear perspective view thereof;
FIG. 4 is a right, rear perspective view thereof;
FIG. 5 is a front view thereof;
FIG. 6 is a rear view thereof;
FIG. 7 is a left side view thereof;
FIG. 8 is a right side view thereof;
FIG. 9 is a top view thereof;
FIG. 10 is another right, front perspective view thereof showing a second embodiment of our new design with the top in down position;
FIG. 11 is a left, front perspective view of FIG. 10;
FIG. 12 is a left, rear perspective of FIG. 10;
FIG. 13 is a right, rear perspective view of FIG. 10;
FIG. 14 is a front view of FIG. 10;
FIG. 15 is a rear view of FIG. 10;
FIG. 16 is a left side view of FIG. 10;
FIG. 17 is a right side view of FIG. 10;
FIG. 18 is a top view of FIG. 10;
FIG. 19 is a right, front perspective view of a vehicle showing a third embodiment of our new design with the top in down position;
FIG. 20 is a left, rear perspective view of FIG. 19;
FIG. 21 is a front view of FIG. 19;
FIG. 22 is a rear view of FIG. 19;
FIG. 23 is a left side view of FIG. 19;
FIG. 24 is a right side view of FIG. 19; and,
FIG. 25 is a top view of FIG. 19.

Any elements shown in broken lines form no part of the claimed design, but are instead included to show environmental aspects thereof.

1 Claim, 25 Drawing Sheets



Related U.S. Application Data

division of application No. 29/605,317, filed on May 25, 2017, now Pat. No. Des. 840,275.

(30) **Foreign Application Priority Data**

Nov. 30, 2016 (EM) 003493121-0003
Nov. 30, 2016 (EM) 003493121-0004
Nov. 30, 2016 (EM) 003493121-0005
Nov. 30, 2016 (EM) 003493121-0006

(58) **Field of Classification Search**

CPC B62D 25/00; B62D 25/06; B62D 33/00;
B62D 35/00

See application file for complete search history.

(56) **References Cited**

U.S. PATENT DOCUMENTS

D750,531 S * 3/2016 Watkins D12/91
D750,532 S * 3/2016 Frascella D12/91
D774,417 S * 12/2016 Watkins D12/91
D805,959 S * 12/2017 Wheel D12/91
D805,960 S * 12/2017 Wheel D12/91
D807,228 S * 1/2018 Woolley D12/91
D817,817 S * 5/2018 Frascella D12/91
D818,399 S * 5/2018 Frascella D12/91
D839,136 S * 1/2019 Buck D12/92
D840,275 S * 2/2019 Trim D12/92
D875,610 S * 2/2020 Trim D12/92
D875,611 S * 2/2020 Trim D12/92

* cited by examiner

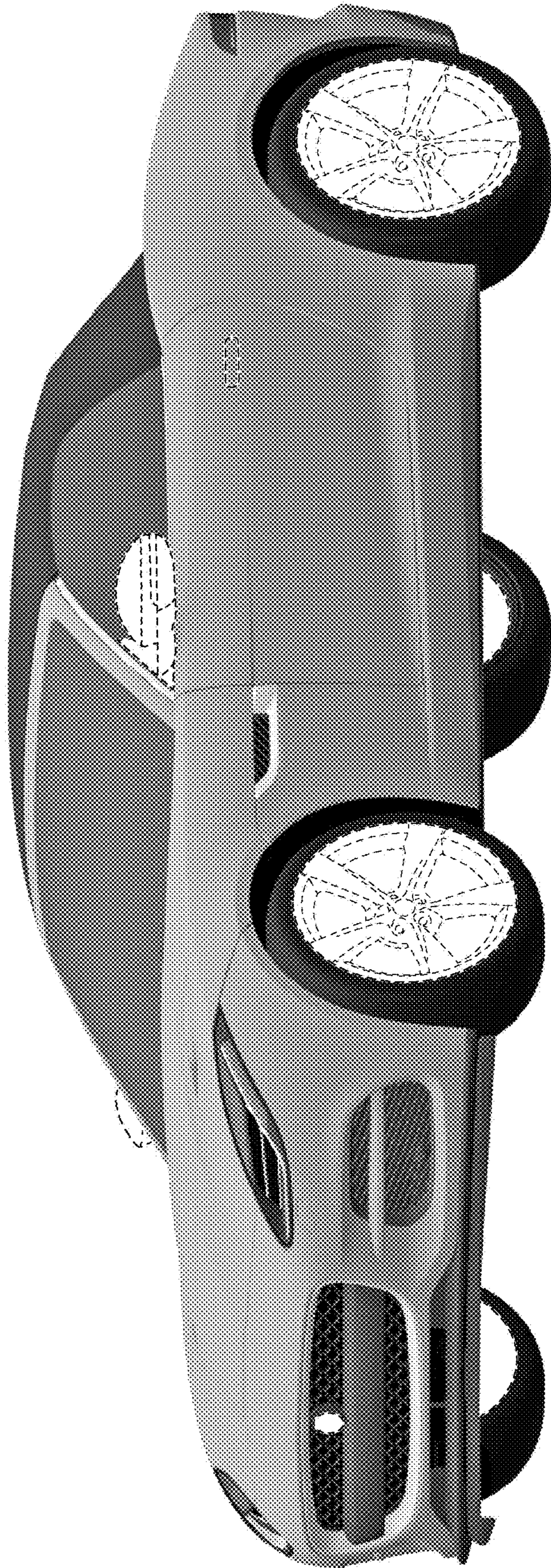


FIG. 1

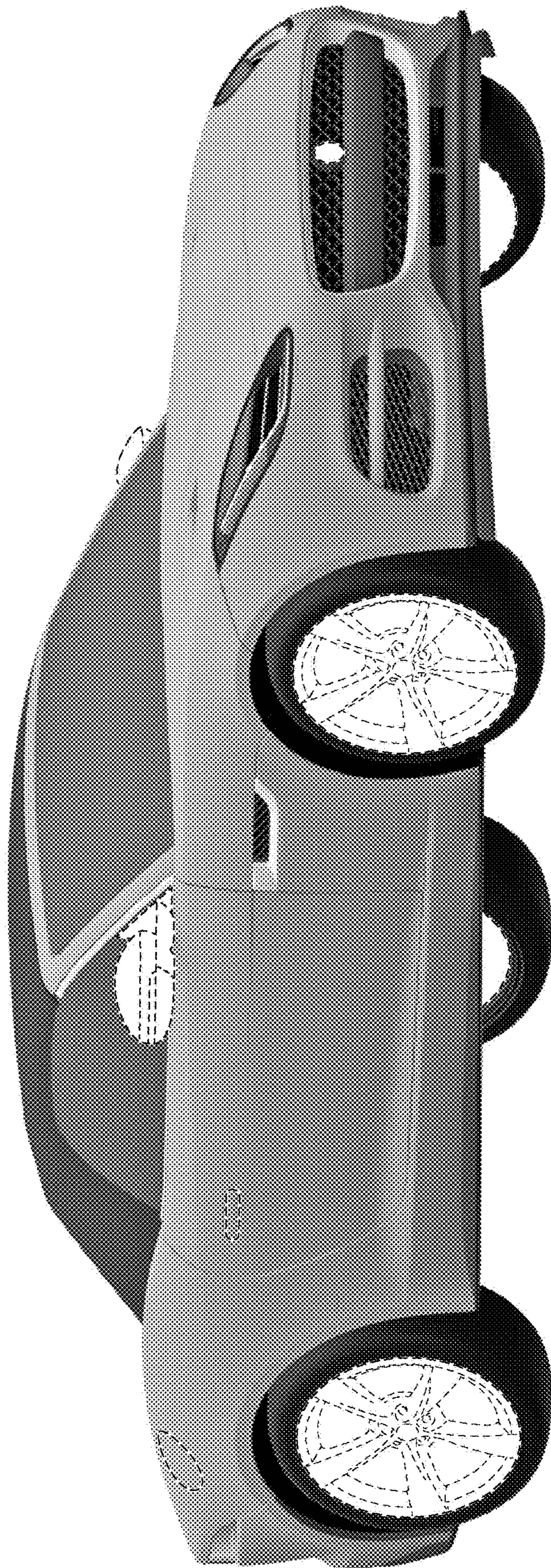


FIG. 2

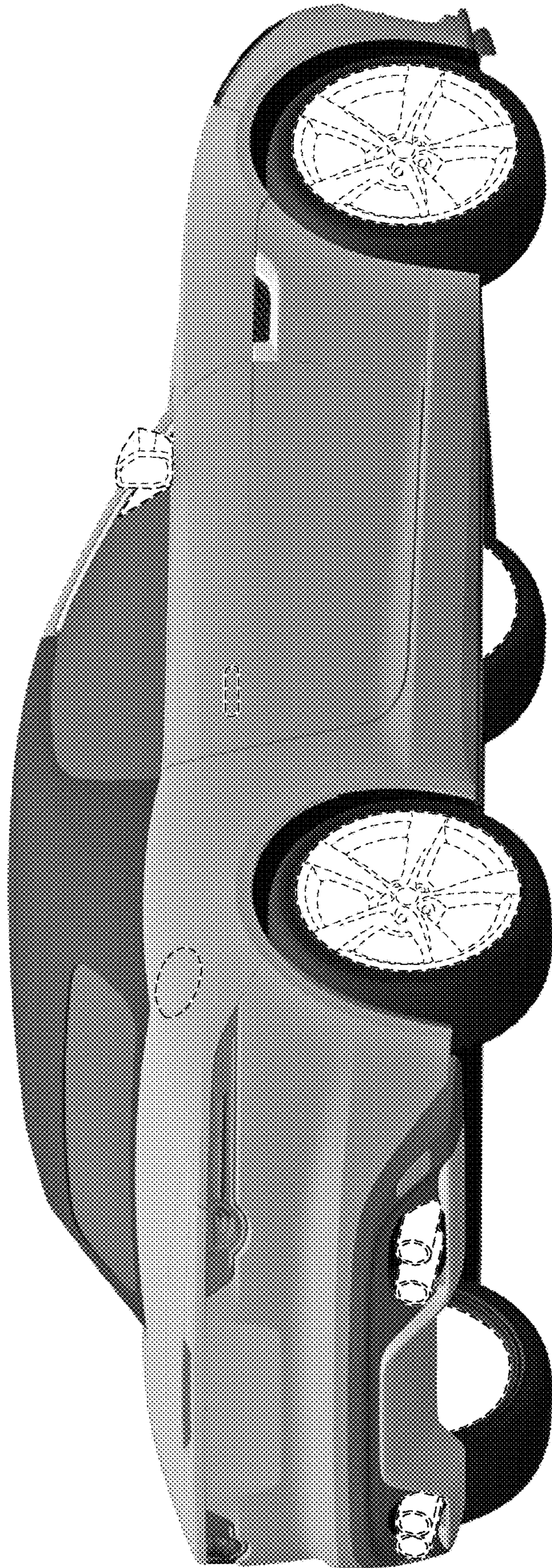


FIG. 3



FIG. 4



FIG. 5



FIG. 6

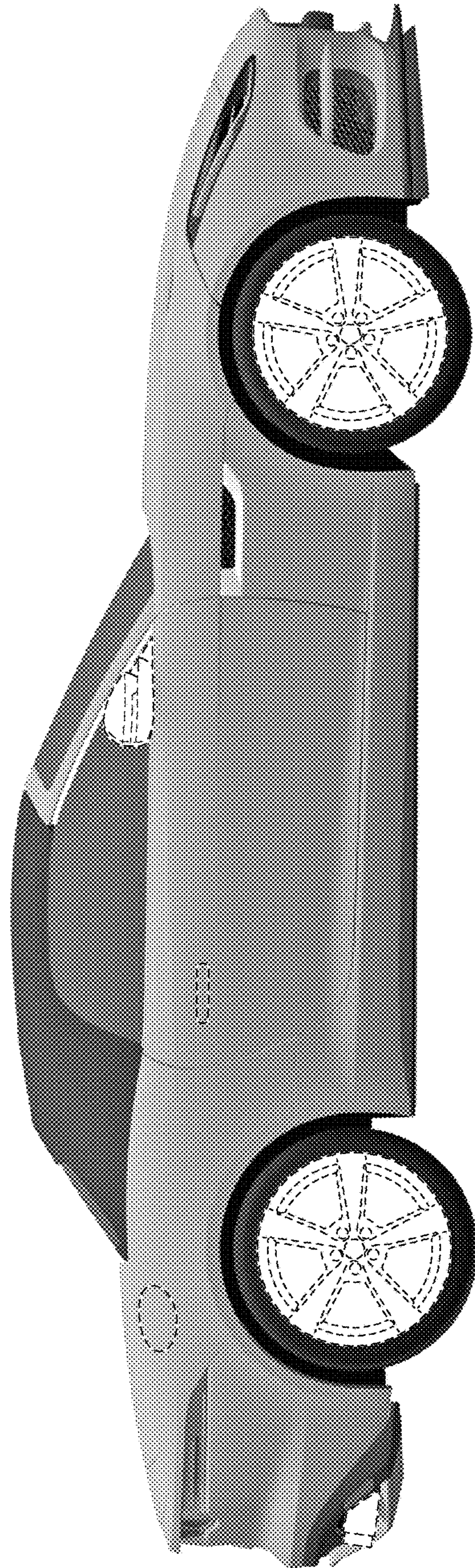


FIG. 7

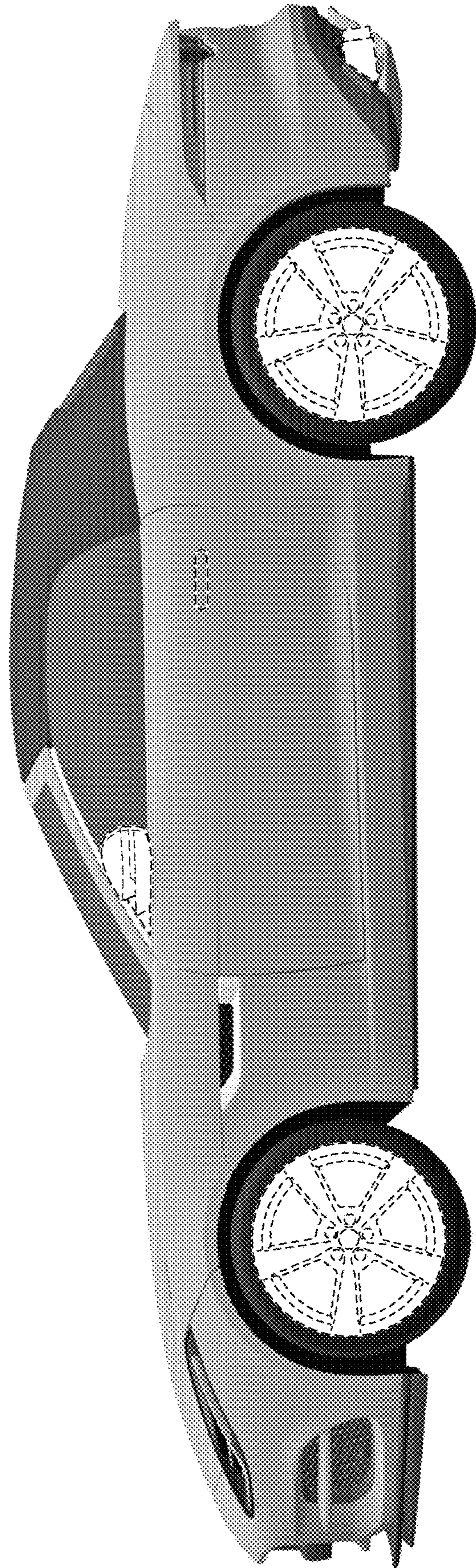


FIG. 8

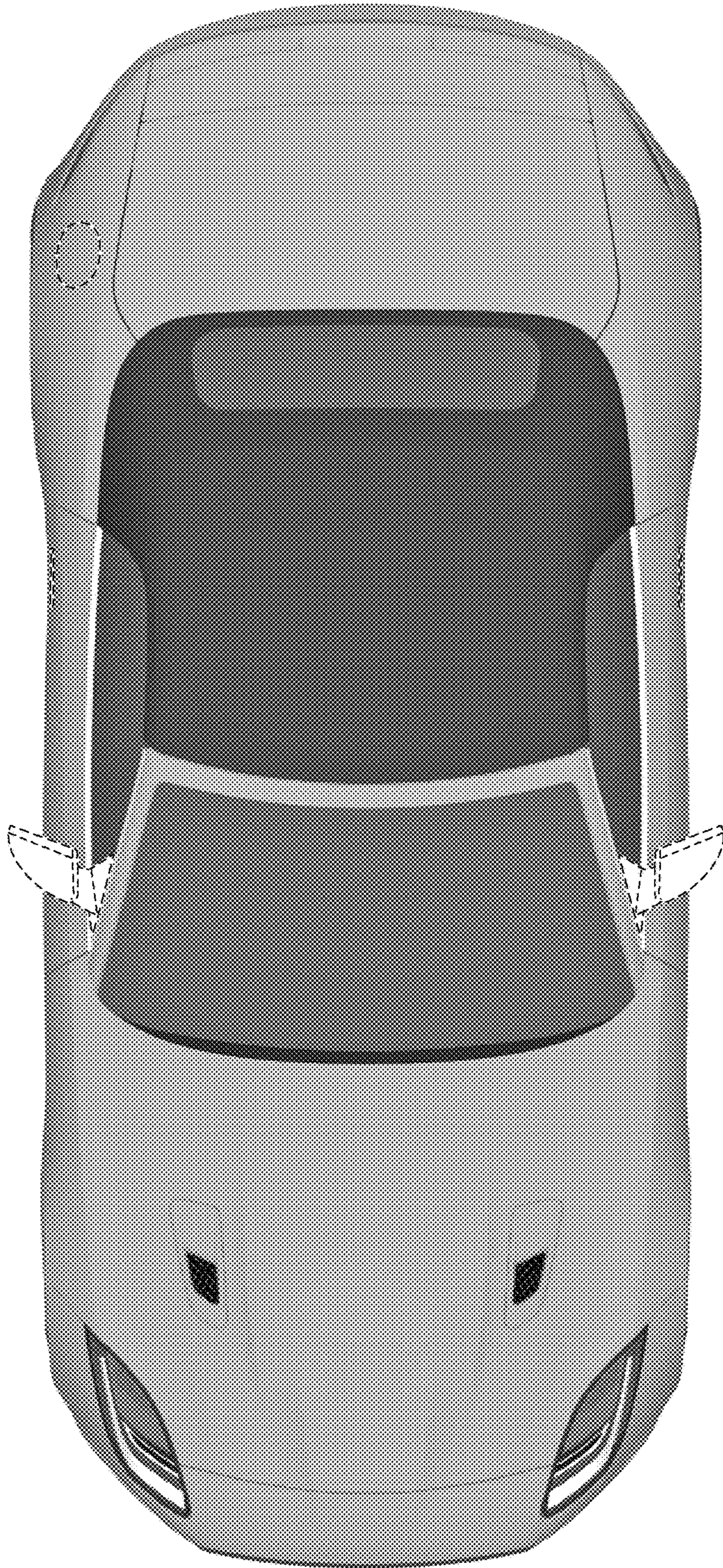


FIG. 9

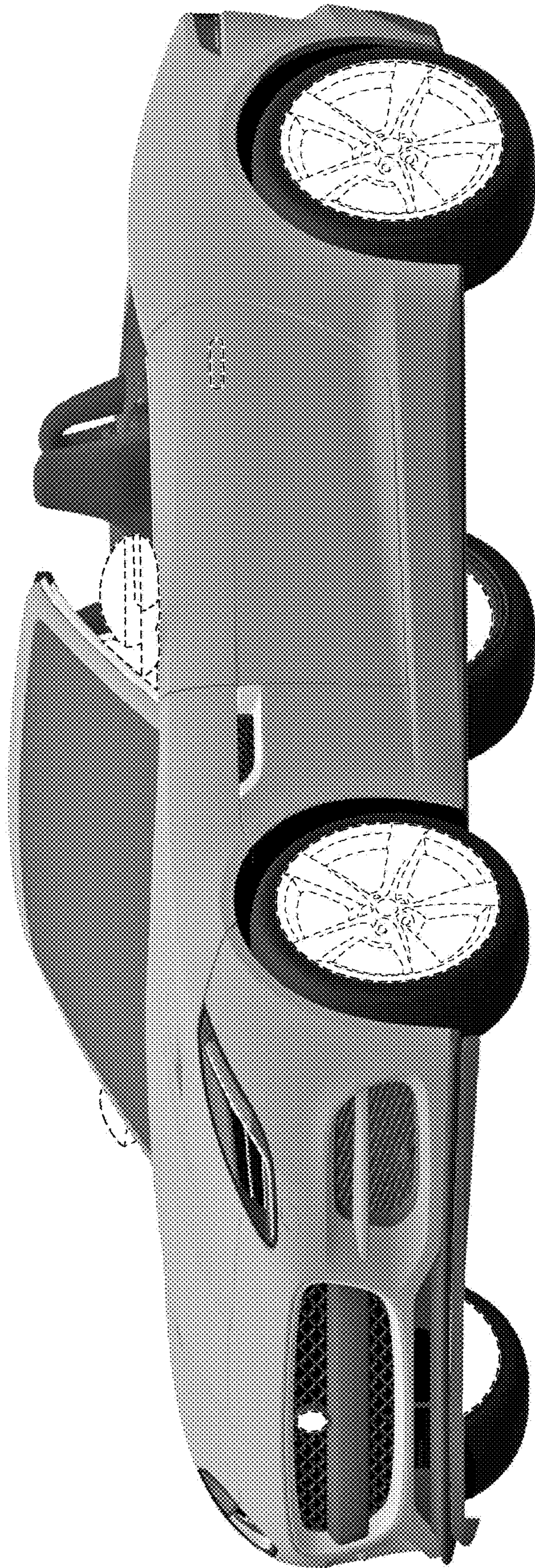


FIG. 10

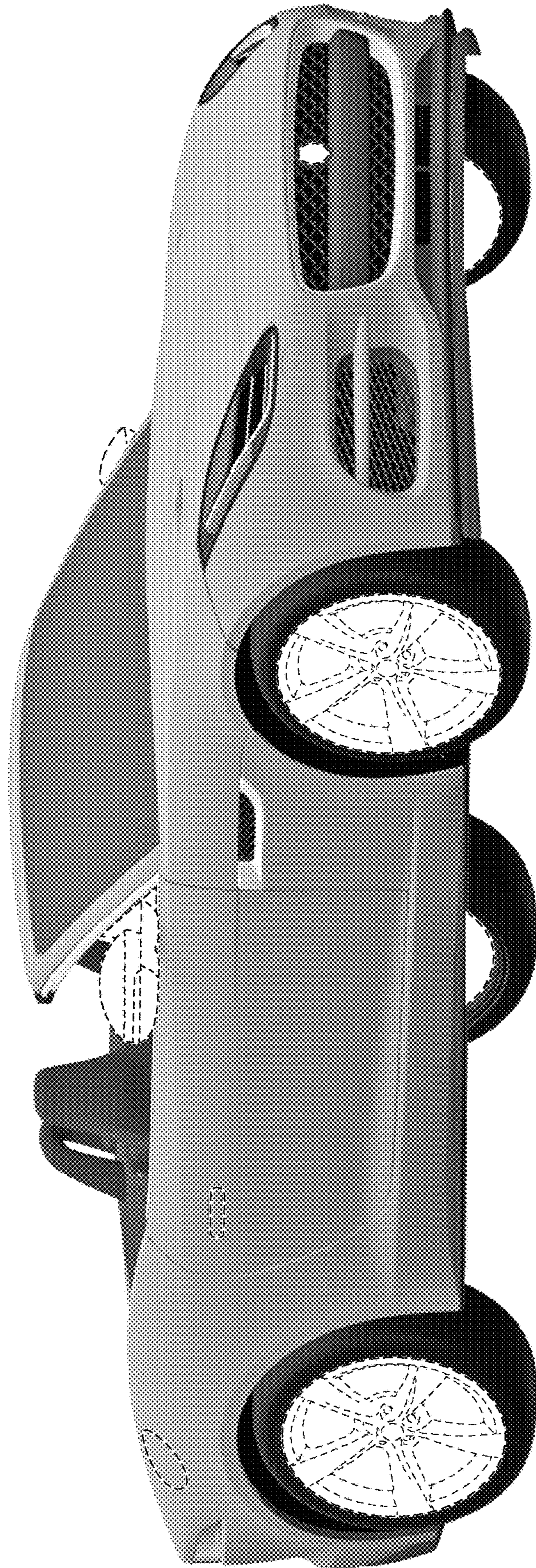


FIG. 11



FIG. 12



FIG. 13

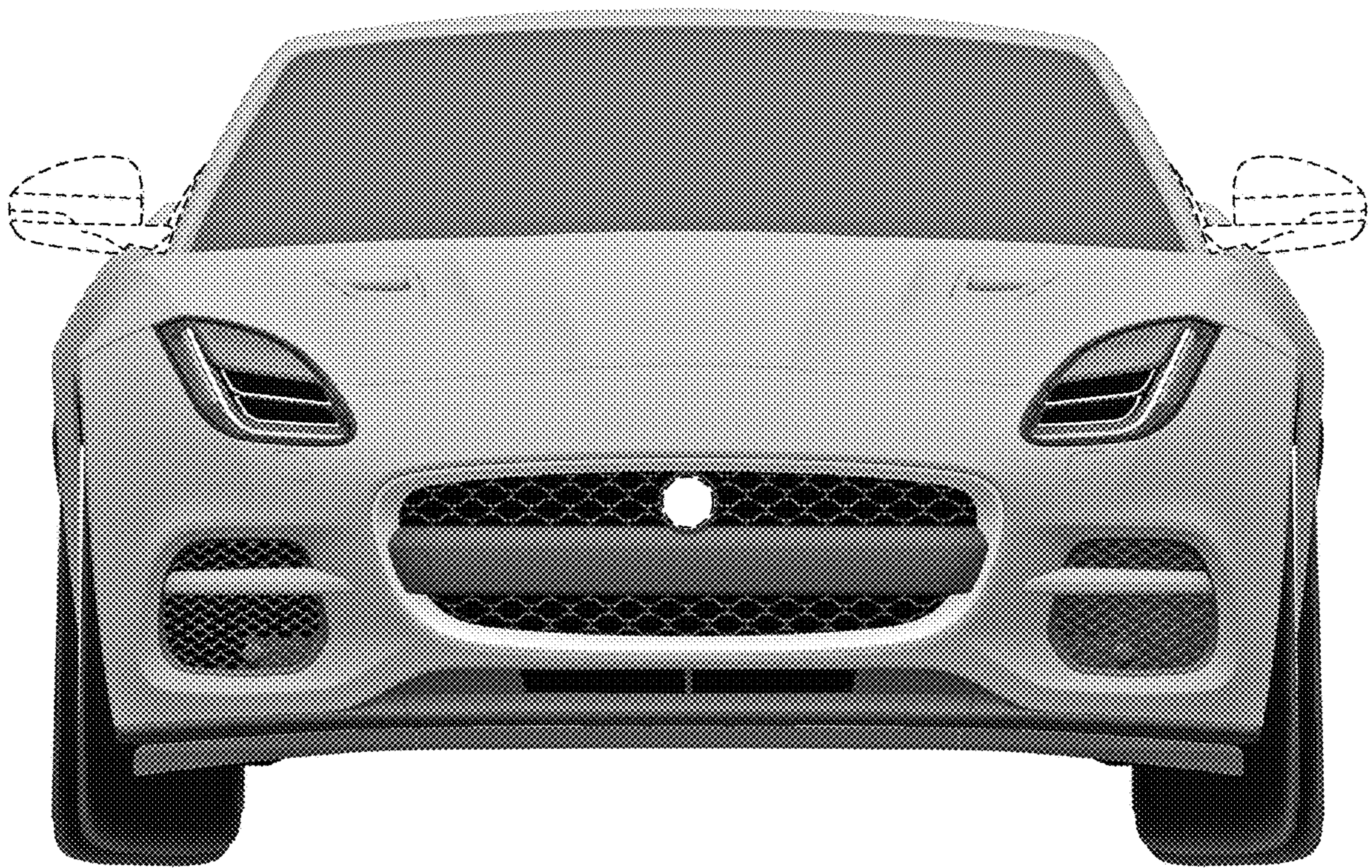


FIG. 14



FIG. 15

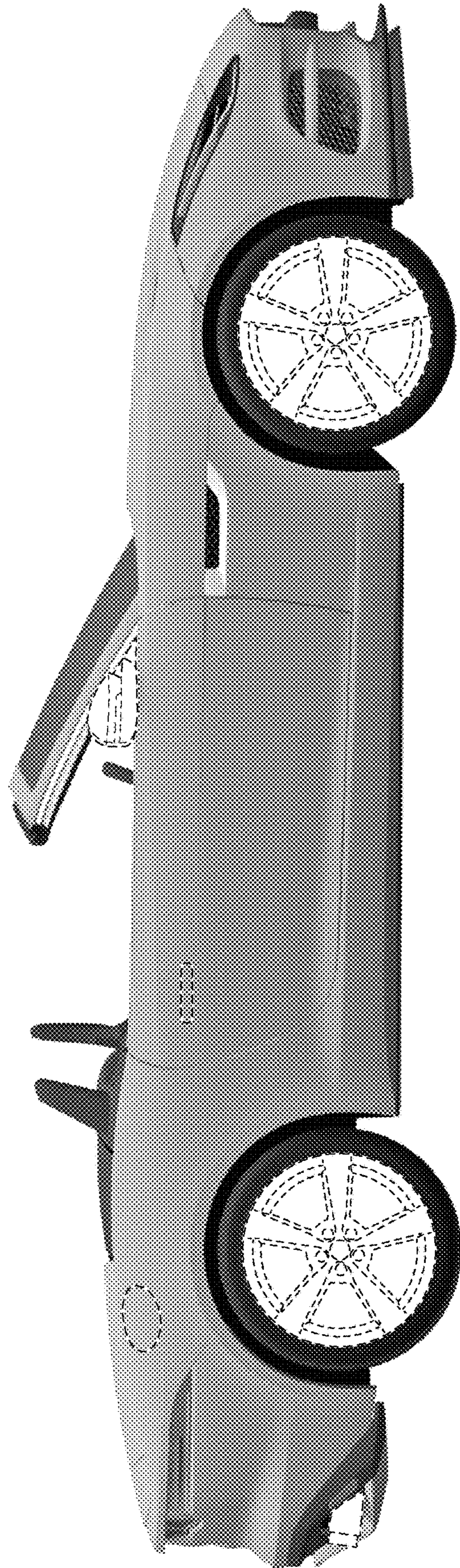


FIG. 16

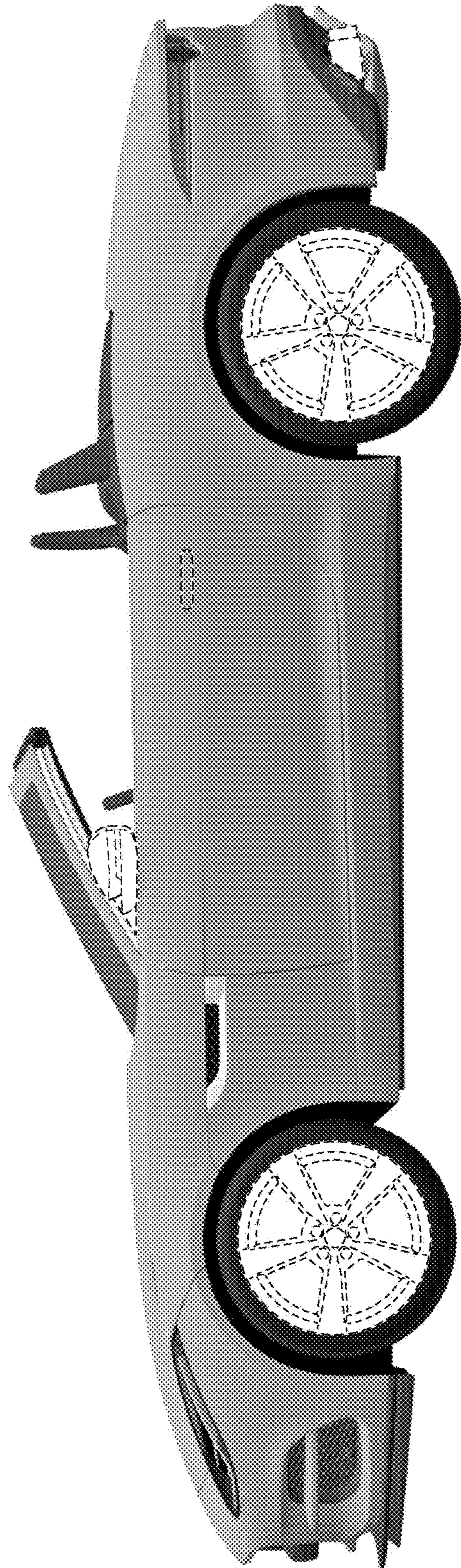


FIG. 17

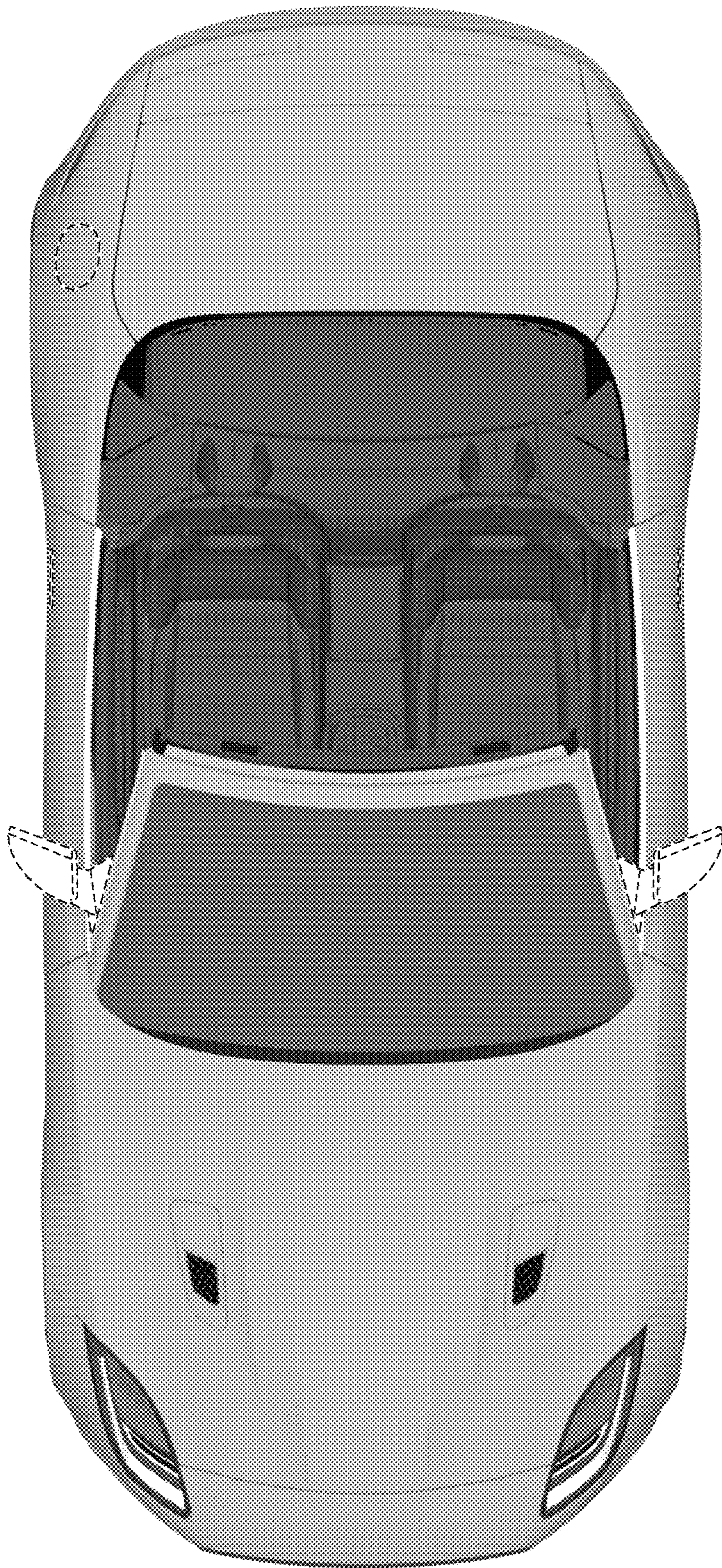


FIG. 18

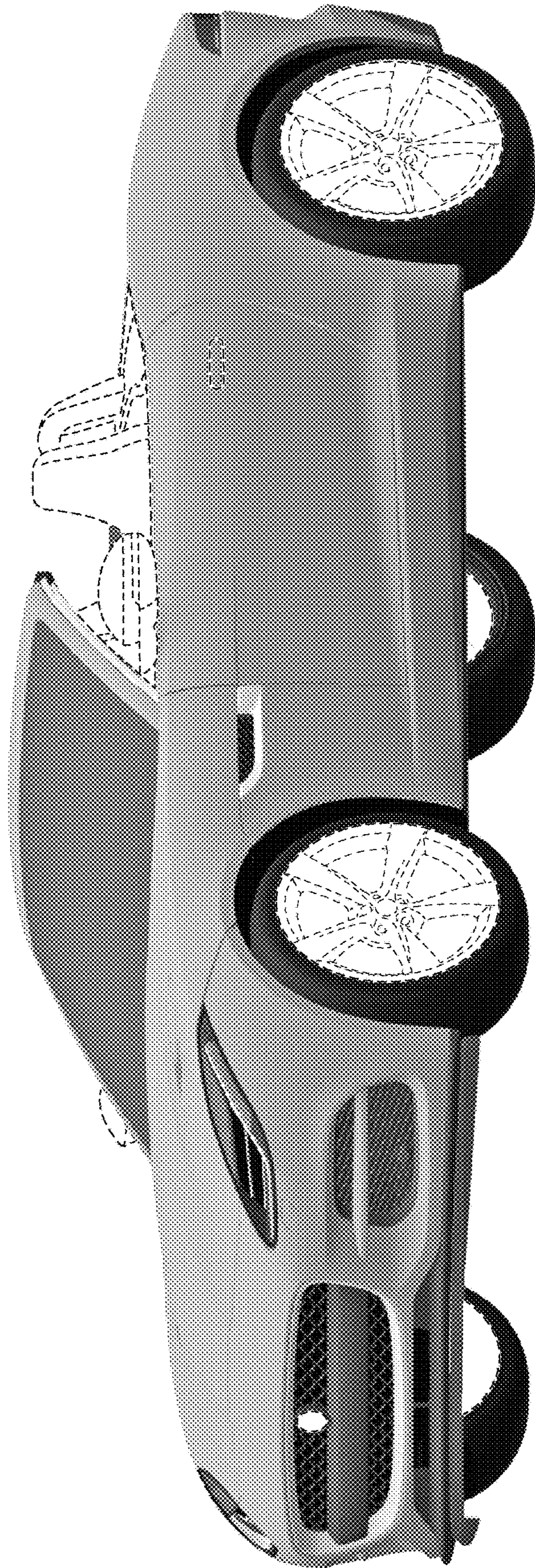


FIG. 19

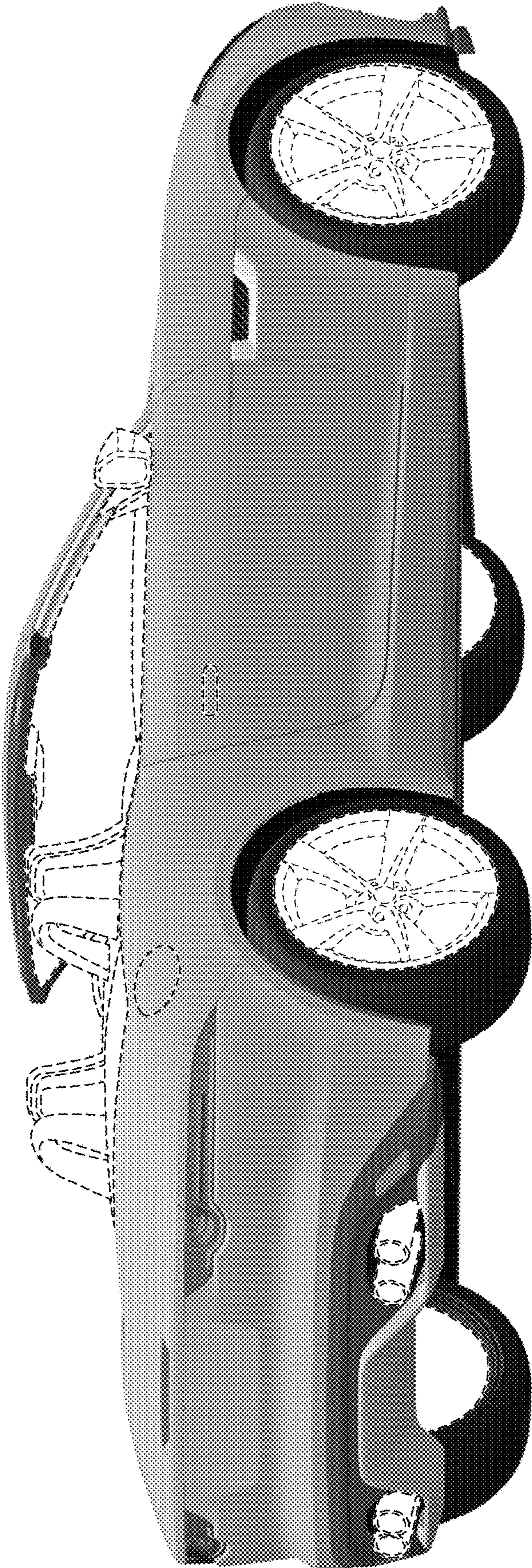


FIG. 20



FIG. 21

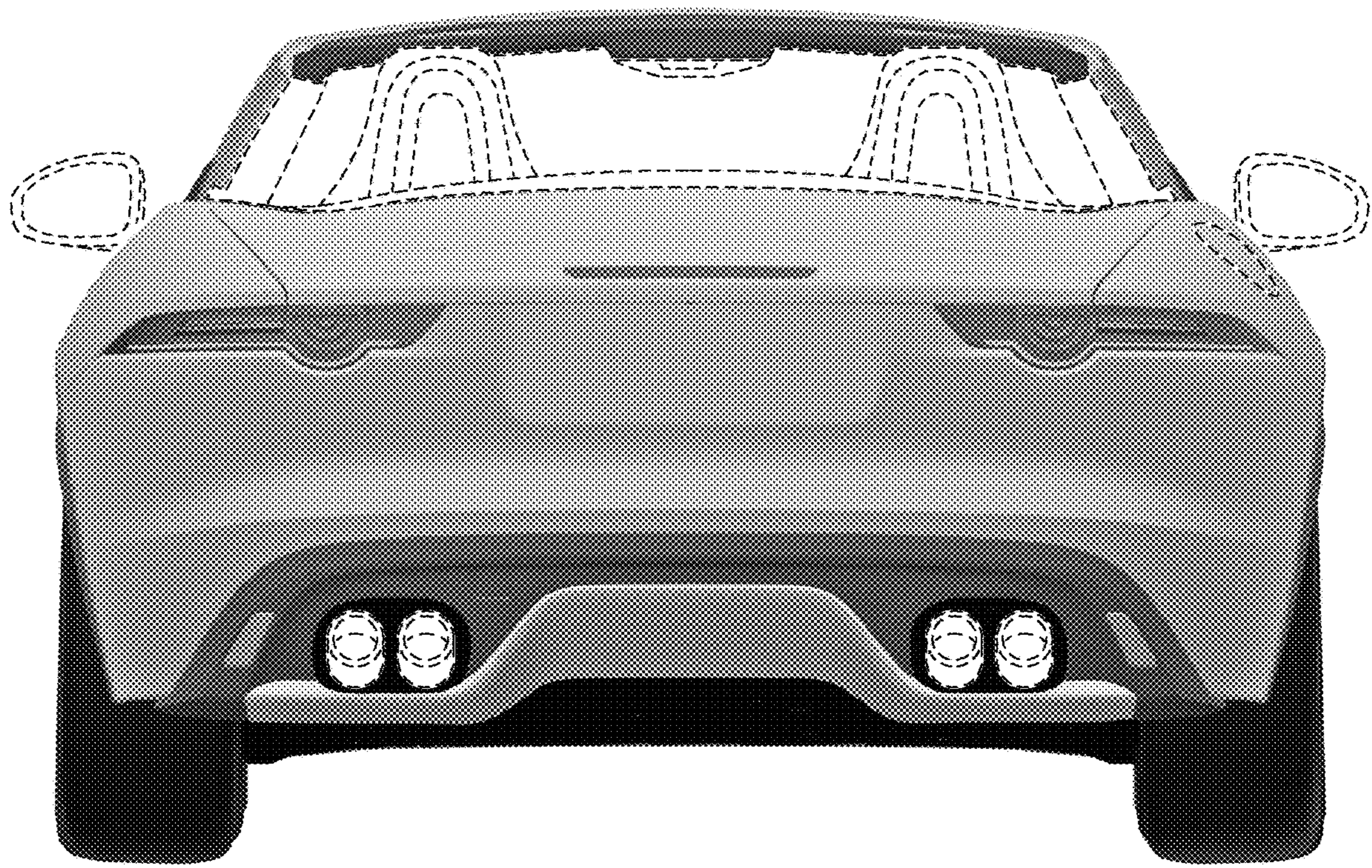


FIG. 22

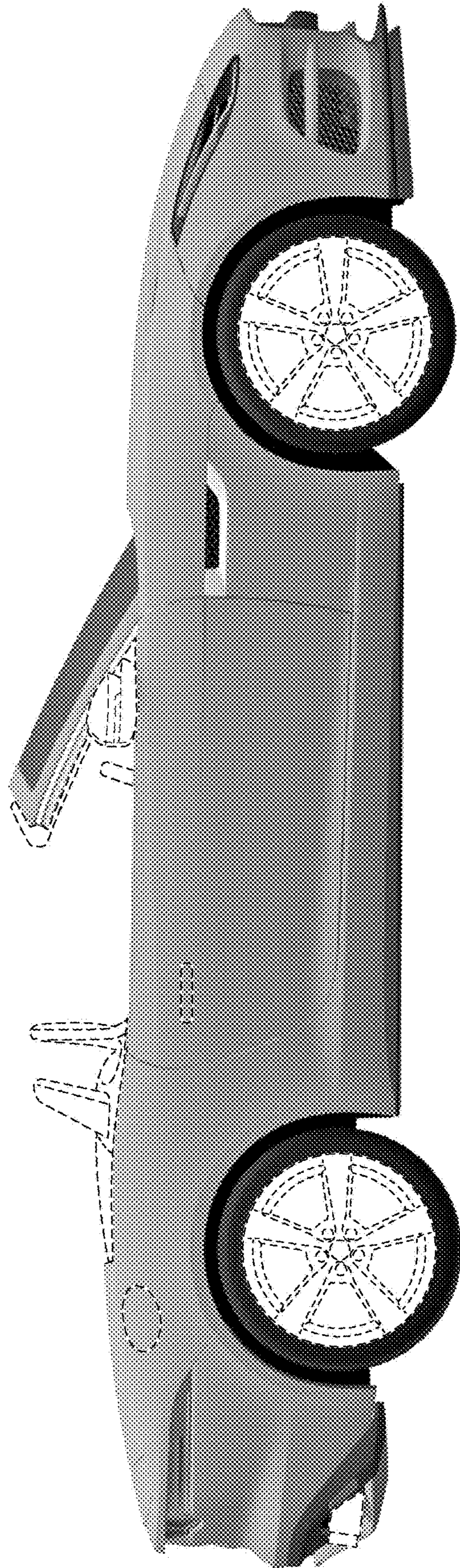


FIG. 23

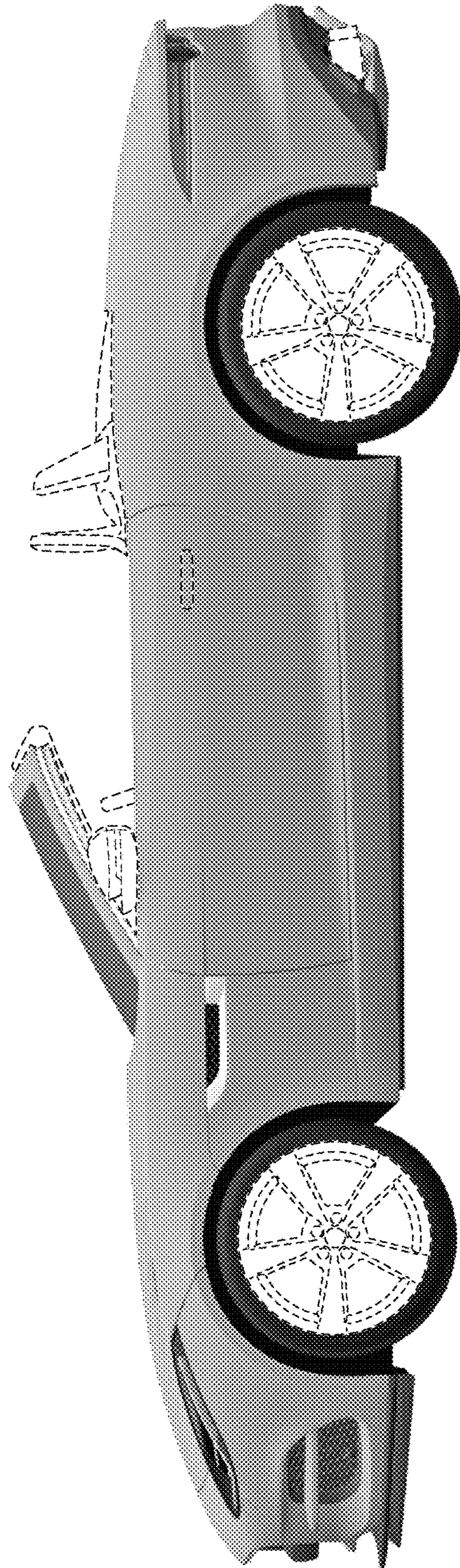


FIG. 24

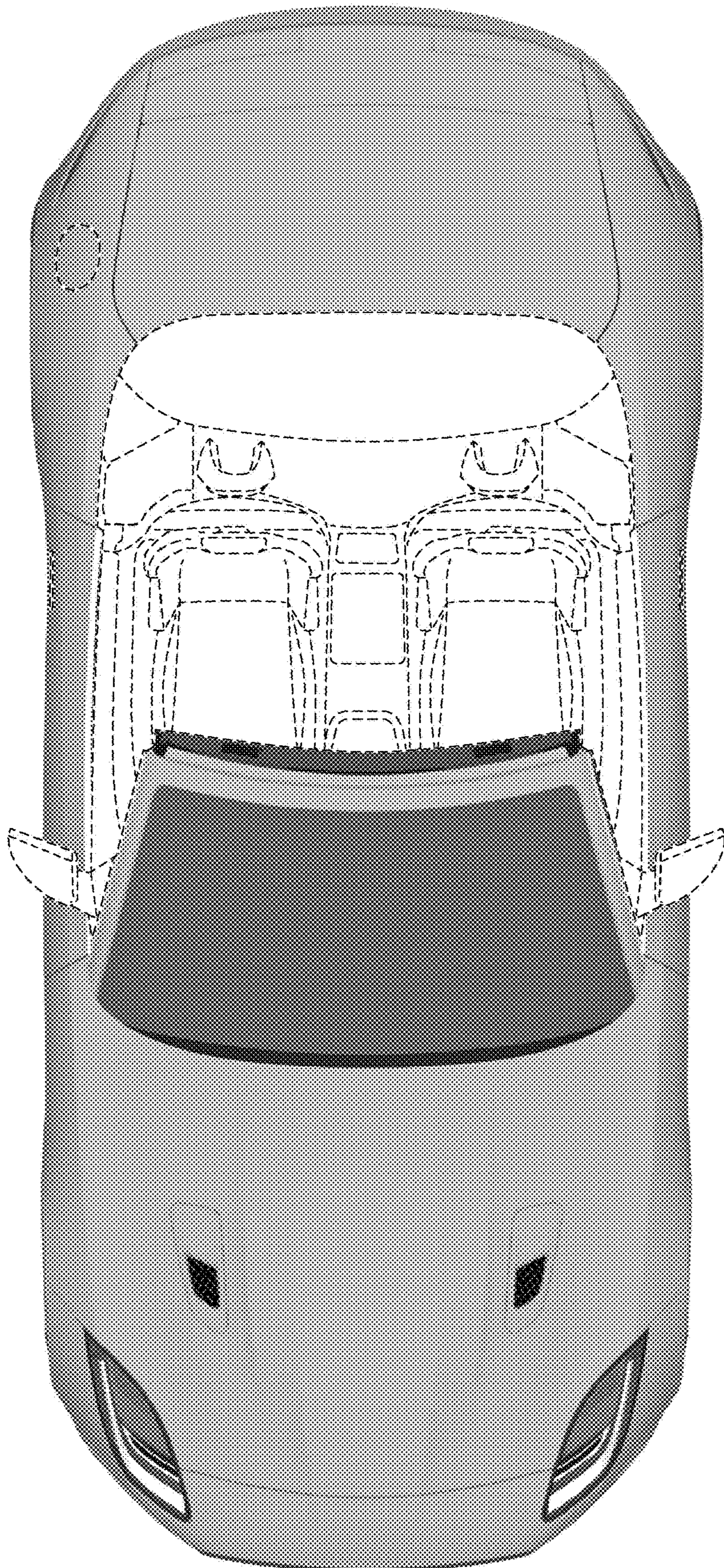


FIG. 25