



US00D902781S

(12) **United States Design Patent** (10) **Patent No.:** **US D902,781 S**  
**Gao** (45) **Date of Patent:** **\*\* Nov. 24, 2020**

(54) **BUCKLE**  
(71) Applicant: **Foshan Torun Precision Hardware Technology Co., Ltd., Foshan (CN)**

D714,185 S \* 9/2014 Kelleghan ..... D11/218  
D716,690 S \* 11/2014 Iannello ..... D11/216  
D731,919 S \* 6/2015 Kung ..... D11/218  
D738,255 S \* 9/2015 Hortnagl ..... D11/218  
2014/0298630 A1 \* 10/2014 Hortnagl ..... A44B 11/2553  
24/697.2

(72) Inventor: **Maoyang Gao, Foshan (CN)**  
(73) Assignee: **Foshan Tuorun Precision Hardware Technology Co., Ltd. (CN)**

**FOREIGN PATENT DOCUMENTS**

(\*\*) Term: **15 Years**

CN 201430259432 \* 7/2014  
CN 201630061265.2 \* 3/2016  
CN 201730269624 \* 6/2017

(21) Appl. No.: **29/675,407**

\* cited by examiner

(22) Filed: **Dec. 31, 2018**

*Primary Examiner* — Sheryl Lane

(51) **LOC (12) Cl.** ..... **02-07**

*Assistant Examiner* — Samantha N Wood

(52) **U.S. Cl.**  
USPC ..... **D11/218**

(58) **Field of Classification Search**  
USPC ..... D11/200, 201, 208, 212, 215, 216, 218,  
D11/219, 220, 221, 86, 87, 93, 94;  
D8/330, 399, 383, 382, 499, 349, 384,  
D8/388; D2/627, 624  
CPC ..... A44C 23/00; A44C 5/18; A44C 5/185;  
A44C 5/2066; A44C 5/2042; A44C  
5/2057; A44C 5/2071; A44D 2200/10;  
A44D 2201/02; A44D 2201/10; A44D  
2201/12; A44D 2201/14; A44D 2201/16;  
A44D 2201/30; A44D 2201/32; A44D  
2201/34; A44D 2201/36; A44B 11/00;  
A44B 11/25; A44B 11/2553; A44B  
11/2549; A44B 11/04  
See application file for complete search history.

(57) **CLAIM**

The ornamental design for a buckle, as shown and described.

**DESCRIPTION**

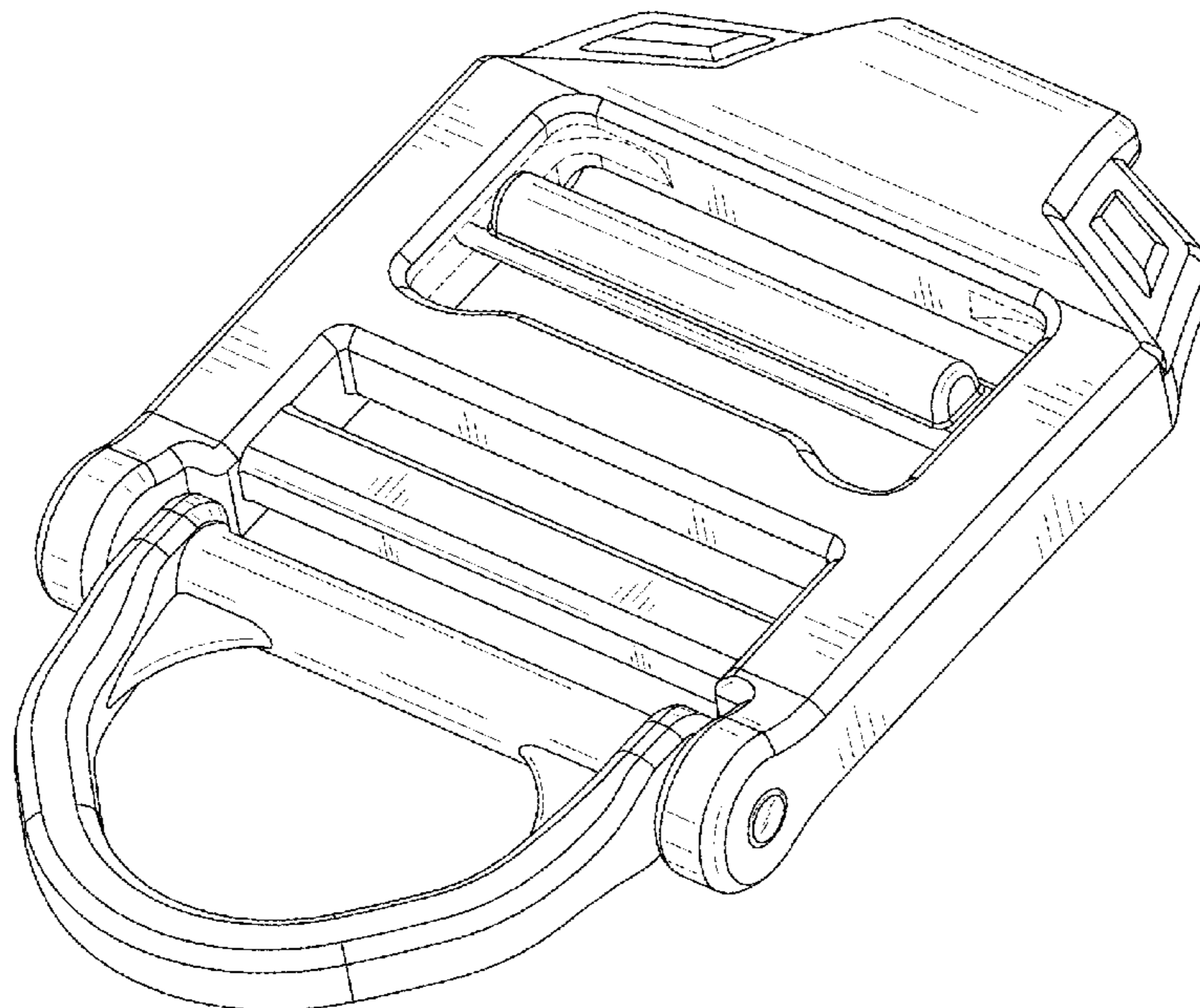
FIG. 1 is a front view of the buckle showing my new design;  
FIG. 2 is a back view thereof;  
FIG. 3 is a left side view thereof;  
FIG. 4 is a right side view thereof;  
FIG. 5 is a top view thereof;  
FIG. 6 is a bottom view thereof;  
FIG. 7 is a perspective view thereof; and,  
FIG. 8 is another perspective view thereof.  
The broken lines are included for the purpose of illustrating  
portions of the buckle and forms no part of the claimed  
design.

(56) **References Cited**

**U.S. PATENT DOCUMENTS**

D507,509 S \* 7/2005 Hou ..... D11/218  
D579,819 S \* 11/2008 Brown ..... D11/231

**1 Claim, 7 Drawing Sheets**



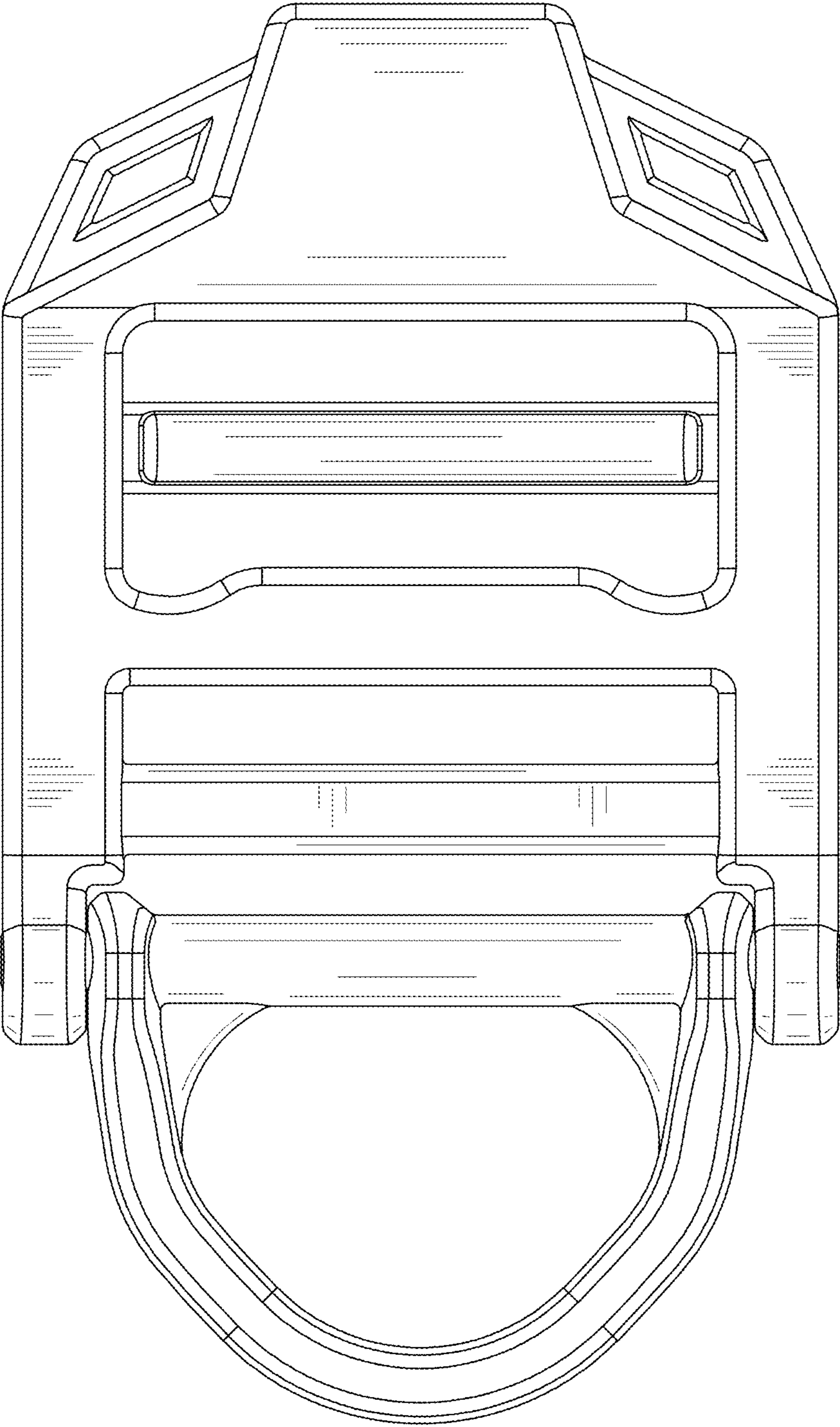


FIG.1

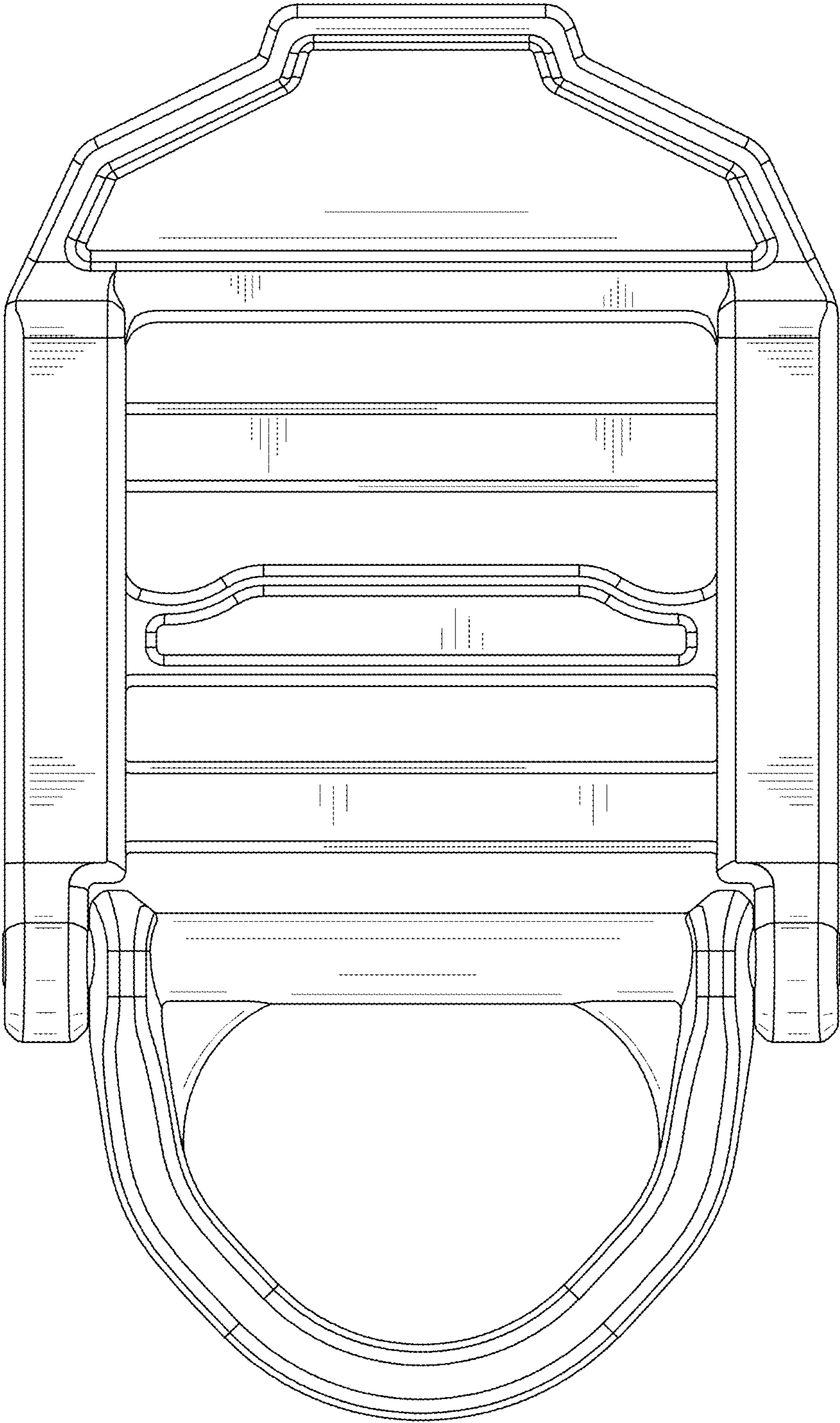
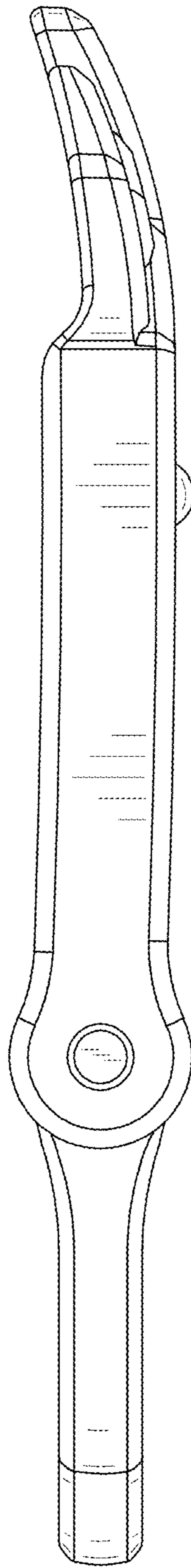
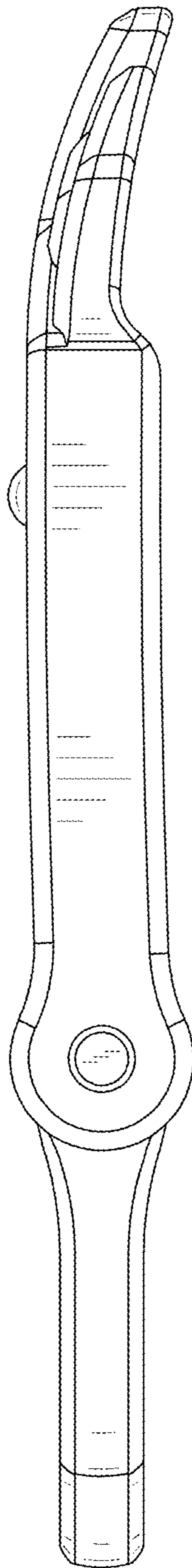


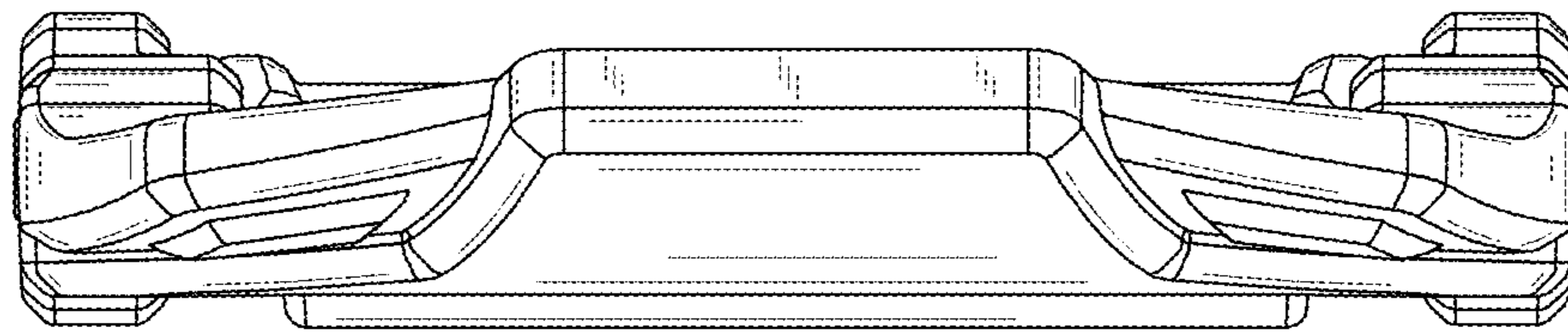
FIG.2



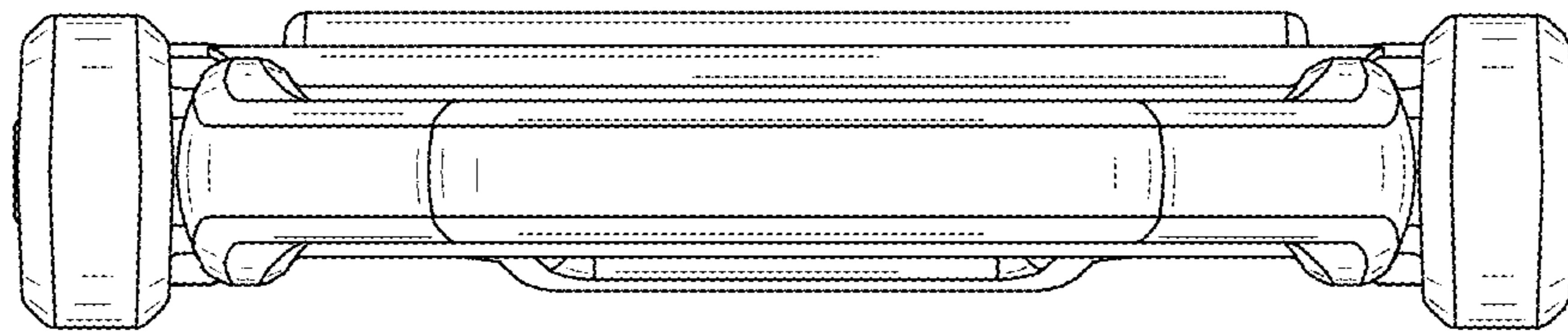
**FIG.3**



**FIG.4**



**FIG.5**



**FIG.6**

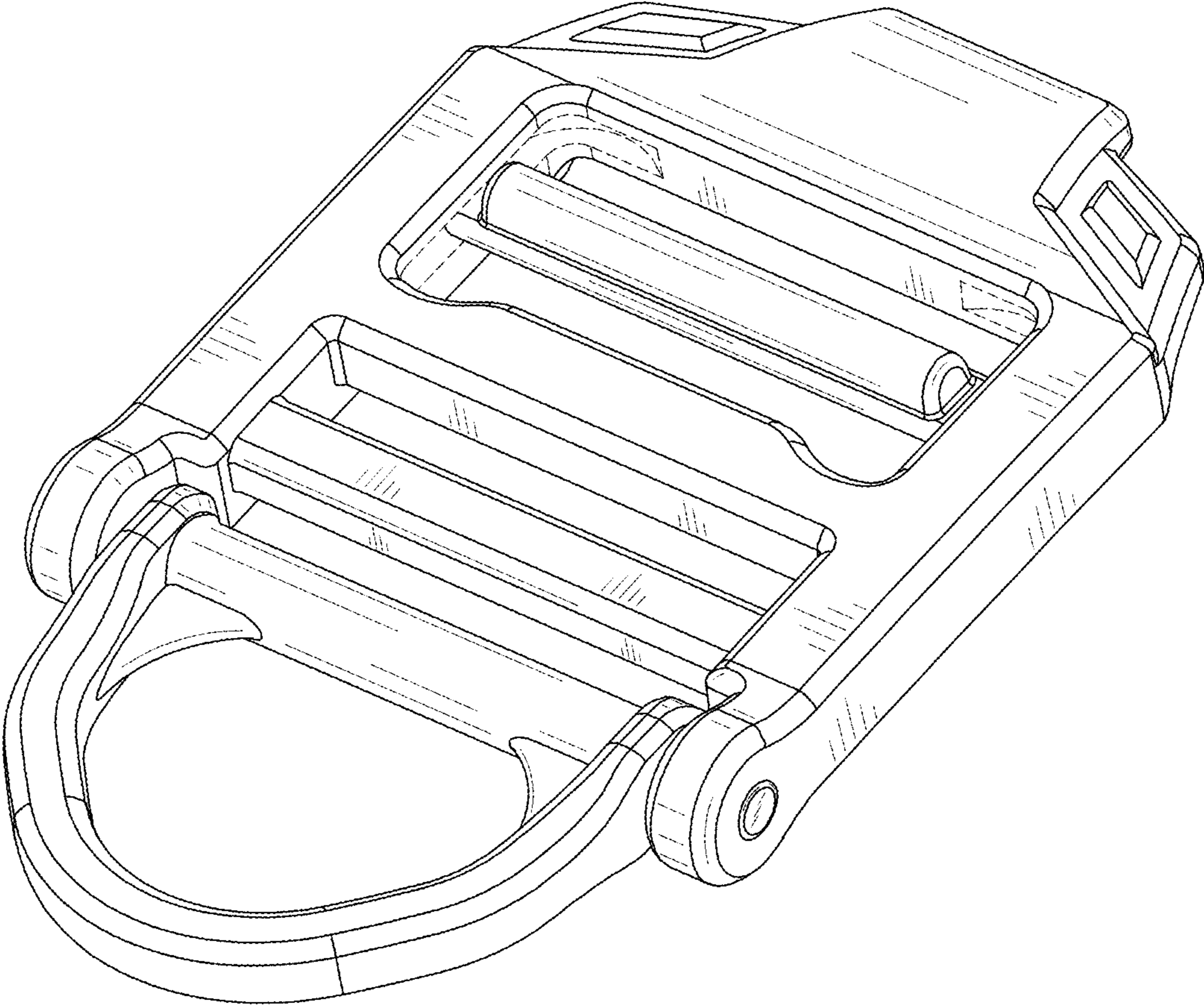


FIG.7

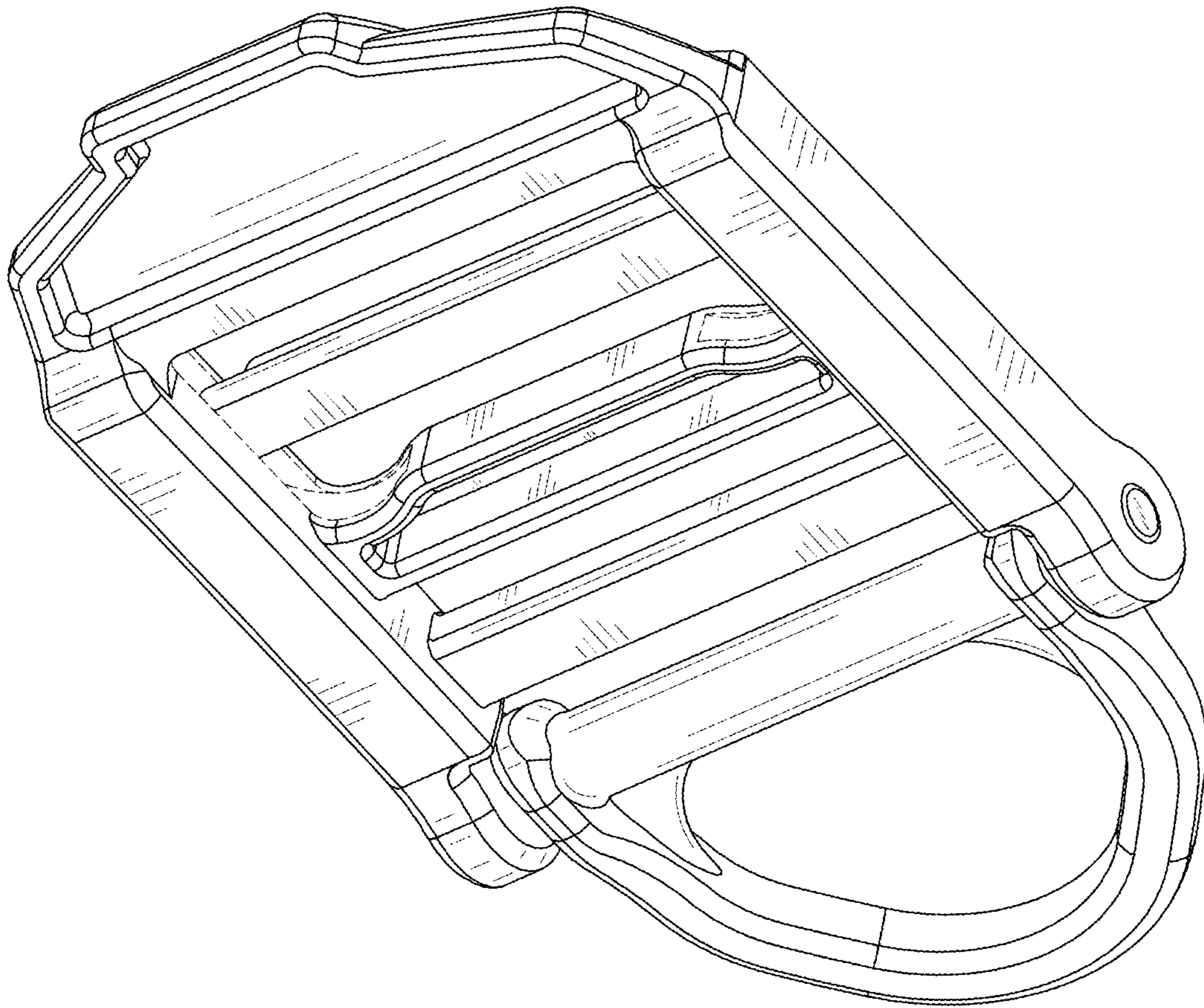


FIG.8