



US00D902779S

(12) **United States Design Patent** (10) **Patent No.:** **US D902,779 S**  
**Main** (45) **Date of Patent:** **\*\* Nov. 24, 2020**

- (54) **BELT CLIP**
- (71) Applicant: **BlackPoint Tactical LLC**, Alpharetta, GA (US)
- (72) Inventor: **Adam Main**, Alpharetta, GA (US)
- (73) Assignee: **BLACKPOINT TACTICAL, LLC**, Alpharetta, GA (US)
- (\*\*) Term: **15 Years**
- (21) Appl. No.: **29/646,326**
- (22) Filed: **May 3, 2018**
- (51) **LOC (12) Cl.** ..... **02-07**
- (52) **U.S. Cl.**  
USPC ..... **D11/208**
- (58) **Field of Classification Search**  
USPC ..... D3/215, 222, 318; D8/349, 354;  
D11/200, 201, 209, 210, 212, 215, 218,  
D11/228, 230, 231, 237; D22/108, 199  
CPC ..... A44B 11/00; A44B 11/04; A44B 11/14;  
Y10T 24/44256; F41C 33/006; F41C  
33/007; F41C 33/008; A41F 9/00; A41F  
1/02; A45F 5/021  
See application file for complete search history.

- D270,574 S \* 9/1983 Black ..... D25/68  
D348,775 S \* 7/1994 Scheid ..... D11/200  
D376,805 S \* 12/1996 Johansson ..... D14/253  
D596,015 S \* 7/2009 Scarcello ..... D8/354  
D619,927 S \* 7/2010 Guyton ..... D11/212  
D752,954 S \* 4/2016 Lax ..... D8/354  
D807,152 S \* 1/2018 Hansen ..... D8/354  
D856,783 S \* 8/2019 Zeilinger ..... D8/354  
D871,193 S \* 12/2019 Ruddick ..... D8/356  
2015/0097011 A1\* 4/2015 Clifton, Jr. .... F41C 33/043  
224/269  
2019/0008253 A1\* 1/2019 Deng ..... A45C 1/06
- \* cited by examiner

*Primary Examiner* — Kevin K Rudzinski  
*Assistant Examiner* — Richard Kearney  
(74) *Attorney, Agent, or Firm* — Eversheds Sutherland  
(US) LLP

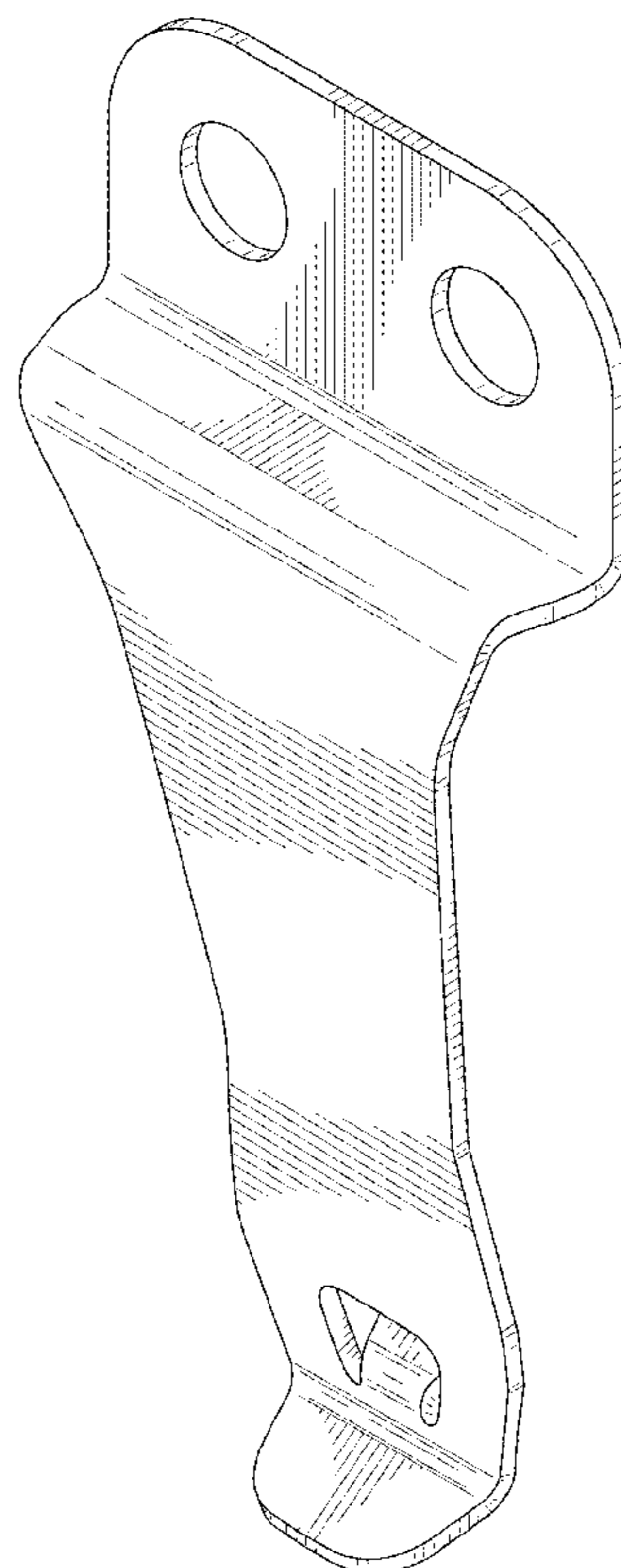
(57) **CLAIM**  
The ornamental design for a belt clip, as shown and described.

**DESCRIPTION**

FIG. 1 is a perspective view of a belt clip according to the disclosure;  
FIG. 2 is a front view thereof;  
FIG. 3 is a rear view thereof;  
FIG. 4 is a side view thereof;  
FIG. 5 is a side view thereof;  
FIG. 6 is a top view thereof; and,  
FIG. 7 is a bottom view thereof.

- (56) **References Cited**  
U.S. PATENT DOCUMENTS  
D29,538 S \* 10/1898 Crane ..... D11/231  
D250,189 S \* 11/1978 Hansen ..... D14/254

**1 Claim, 6 Drawing Sheets**



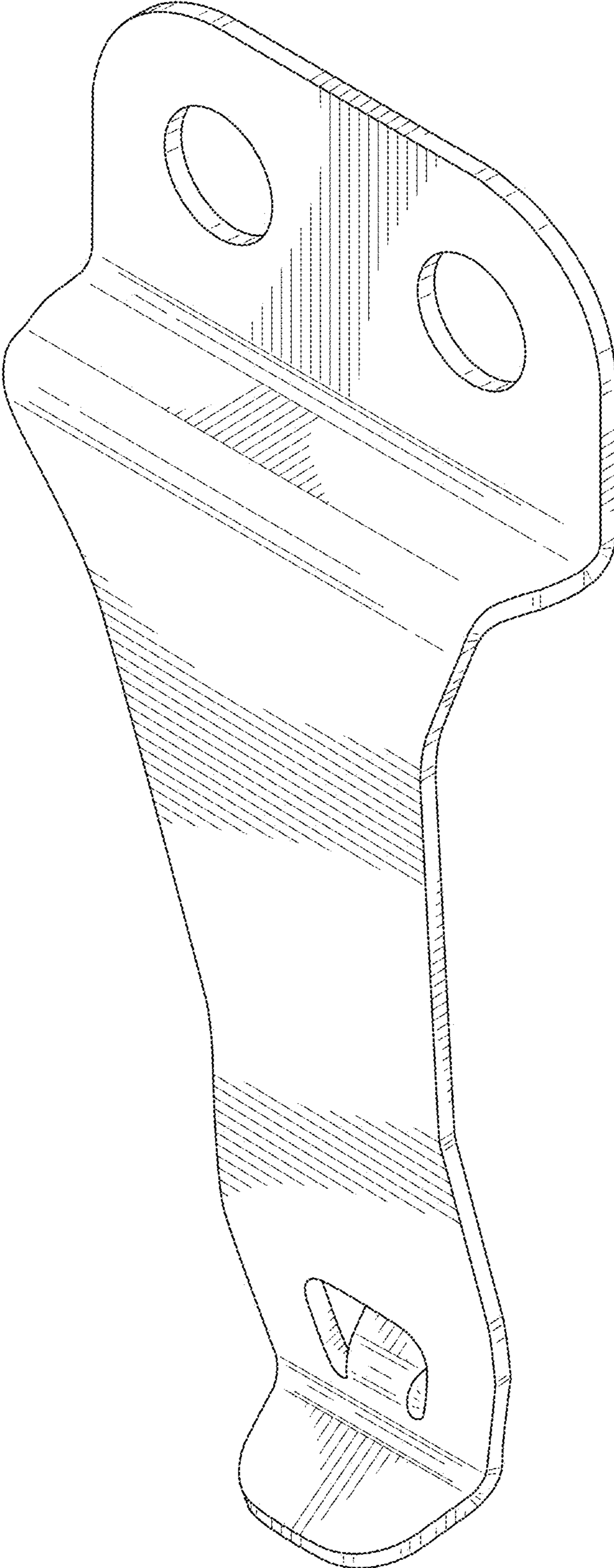


FIG. 1

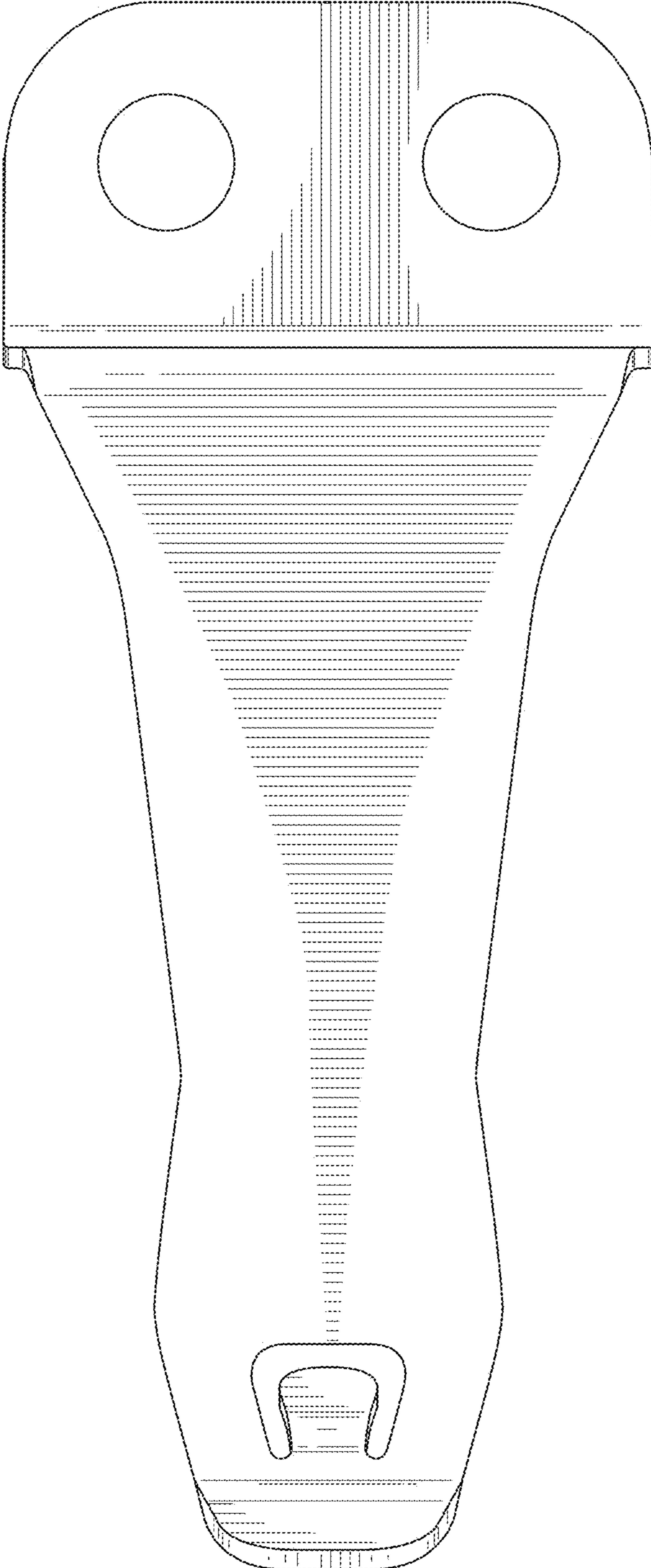


FIG. 2

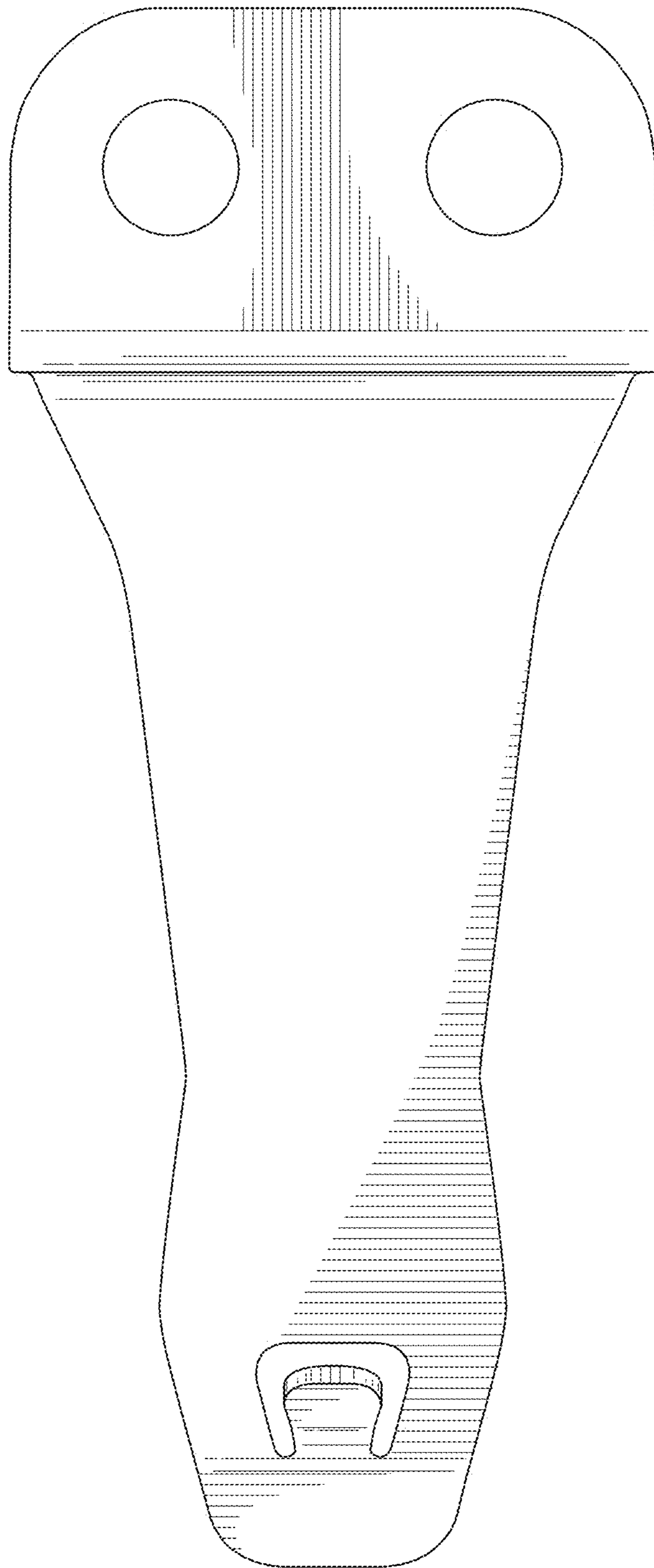


FIG. 3

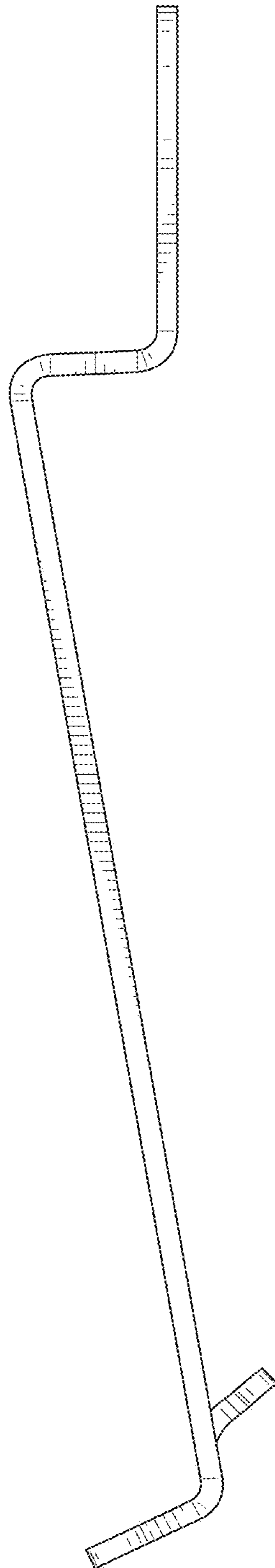


FIG. 4

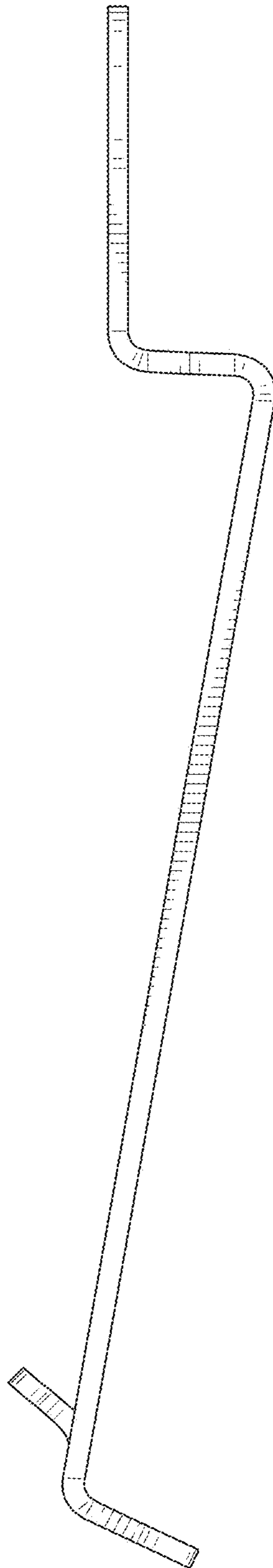


FIG. 5

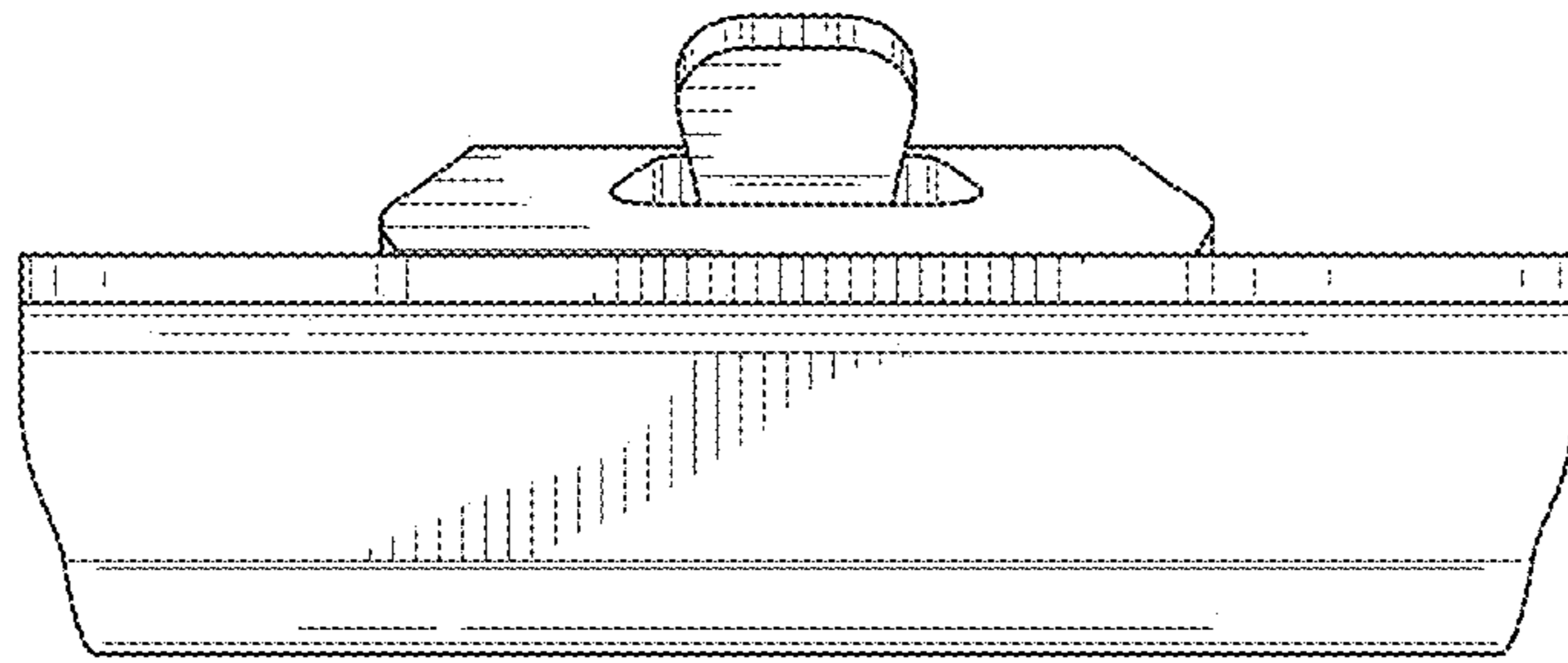


FIG. 6

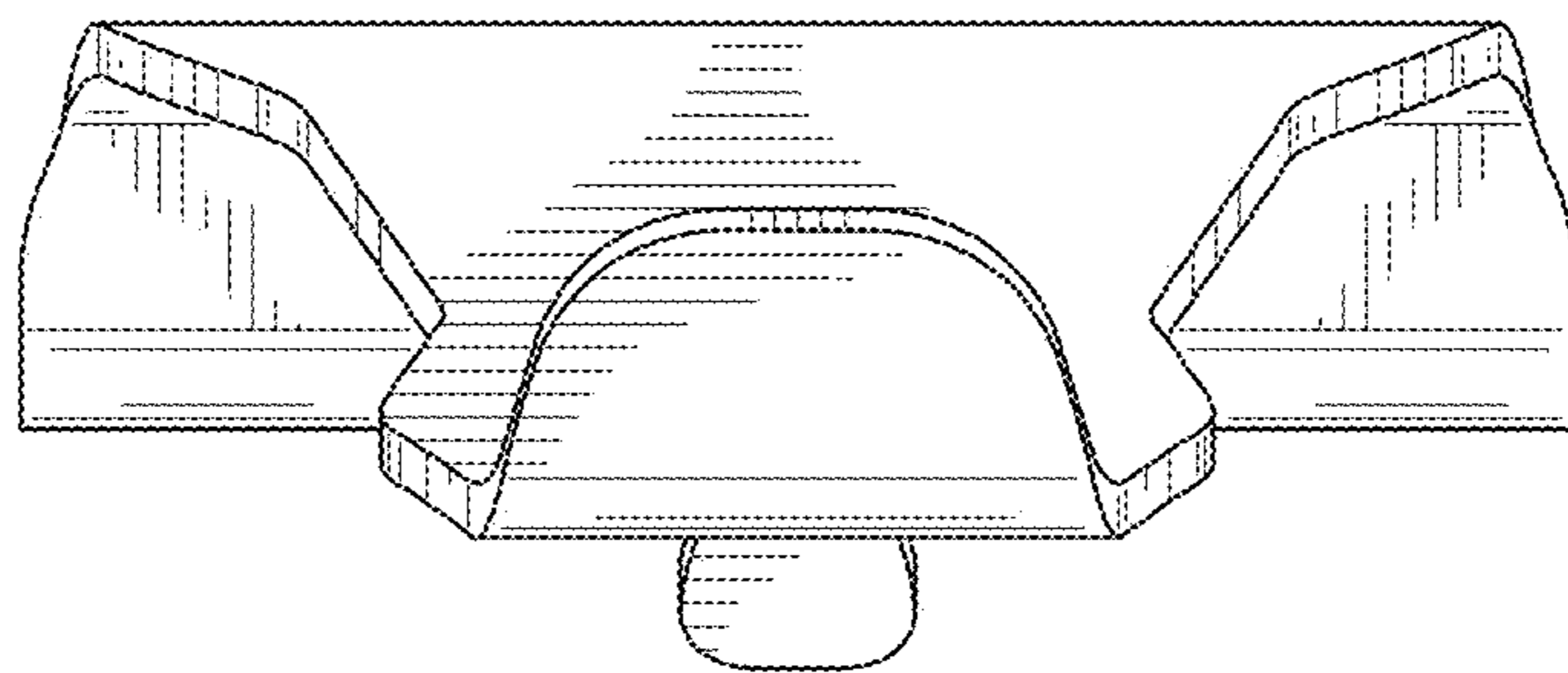


FIG. 7