



US00D902776S

(12) **United States Design Patent**  
**Bansal et al.**

(10) **Patent No.:** **US D902,776 S**  
(45) **Date of Patent:** **\*\* Nov. 24, 2020**

- (54) **BOUQUET HOLDER**
- (71) Applicant: **Venus et Fleur LLC**, New York, NY (US)
- (72) Inventors: **Seema Bansal**, Secaucus, NJ (US);  
**Sanjam Chadha**, Secaucus, NJ (US);  
**Lucas E. Prado Branco**, Kearny, NJ (US)
- (73) Assignee: **VENUS ET FLEUR LLC**, New York, NY (US)
- (\*\*) Term: **15 Years**
- (21) Appl. No.: **29/693,956**
- (22) Filed: **Jun. 6, 2019**
- (51) **LOC (12) Cl.** ..... **11-02**
- (52) **U.S. Cl.**  
USPC ..... **D11/143**
- (58) **Field of Classification Search**  
USPC ..... D11/143–156, 164; D3/304, 313, 314;  
D6/403, 404, 405, 556, 557, 558;  
D7/357, 553.2, 553.3, 554.3, 554.4;  
D9/433, 454, 455  
CPC . A01G 5/04; A01G 9/02; A01G 9/021; A01G 9/022; A01G 9/027; A01G 9/028; A01G 9/029; A01G 9/0293; A01G 9/0295; A01G 9/0297; A01G 9/0299; A01G 9/04; A01G 9/042; A01G 9/045; A47G 7/00; A47G 7/02; A47G 7/04; A47G 7/06; A47G 7/08  
See application file for complete search history.

- (56) **References Cited**  
U.S. PATENT DOCUMENTS  
237,841 A \* 2/1881 Erhardt, Sr. .... A01G 5/04  
47/41.01  
477,704 A \* 6/1892 Russell ..... A01G 5/04  
47/55

- 533,644 A \* 2/1895 Hell ..... A01G 5/04  
47/55
- 1,162,176 A \* 11/1915 Lewis ..... A01G 5/04  
47/41.01
- 1,990,407 A \* 2/1935 Kamrass ..... A01G 5/04  
47/55
- D121,721 S \* 7/1940 Ligh ..... D3/18
- 2,908,112 A \* 10/1959 Koistinen ..... A47G 7/00  
47/41.11
- 3,021,960 A \* 2/1962 Pipe ..... A47B 13/023  
211/205
- 3,576,699 A \* 4/1971 Meyer ..... A01G 5/04  
206/423
- D236,643 S \* 9/1975 Ross ..... D11/147
- 4,204,365 A \* 5/1980 Hirvi ..... A01G 5/04  
403/215
- 4,566,221 A \* 1/1986 Kossin ..... A01G 5/04  
428/316.6
- D317,884 S \* 7/1991 Spicer ..... D11/147
- D354,869 S \* 1/1995 Salyer ..... D6/680

(Continued)

*Primary Examiner* — Elizabeth A. Albert  
(74) *Attorney, Agent, or Firm* — John Maldjian; Maldjian Law Group LLC

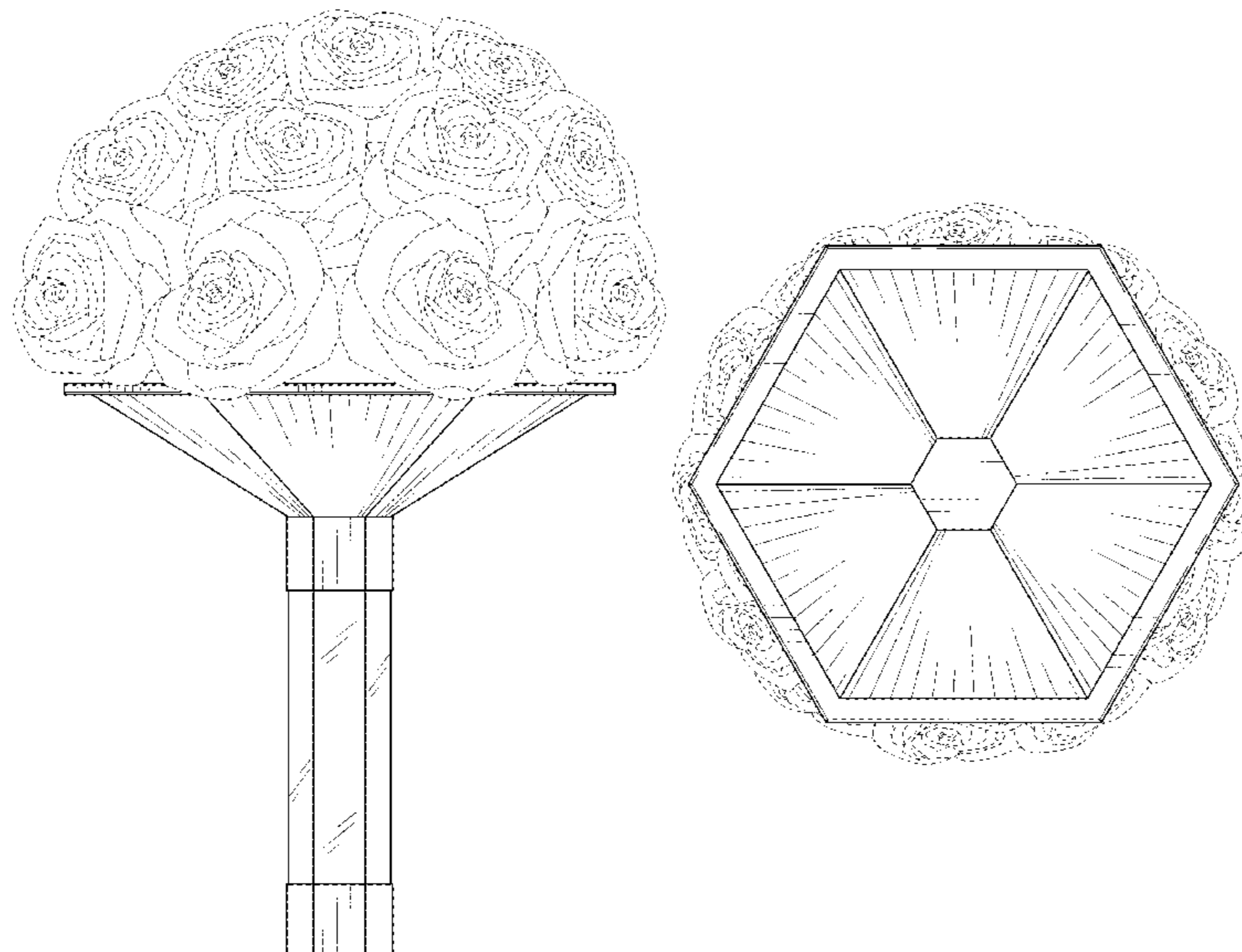
(57) **CLAIM**

The ornamental design for a bouquet holder, as shown and described.

**DESCRIPTION**

FIG. 1 is a perspective view of a bouquet holder showing our new design;  
FIG. 2 is a front plan view thereof;  
FIG. 3 is a rear plan view thereof;  
FIG. 4 is a left plan view thereof;  
FIG. 5 is a right plan view thereof;  
FIG. 6 is a top plan view thereof; and,  
FIG. 7 is a bottom plan view thereof.  
The broken lines in the drawings are included to show features that form no part of the claimed design.

**1 Claim, 7 Drawing Sheets**



(56)

**References Cited**

U.S. PATENT DOCUMENTS

5,787,638 A \* 8/1998 Harshman ..... A01G 5/04  
248/27.8  
5,921,025 A \* 7/1999 Smith ..... A01G 27/06  
47/48.5  
6,665,982 B1 \* 12/2003 Van Wingerden ..... A01G 5/04  
206/423  
6,862,841 B2 \* 3/2005 Ghiotti ..... A01G 5/04  
47/41.12  
D573,787 S \* 7/2008 Sweet ..... D3/23  
D745,432 S \* 12/2015 Jawarski ..... D11/164  
D867,748 S \* 11/2019 Russo ..... D3/23

\* cited by examiner

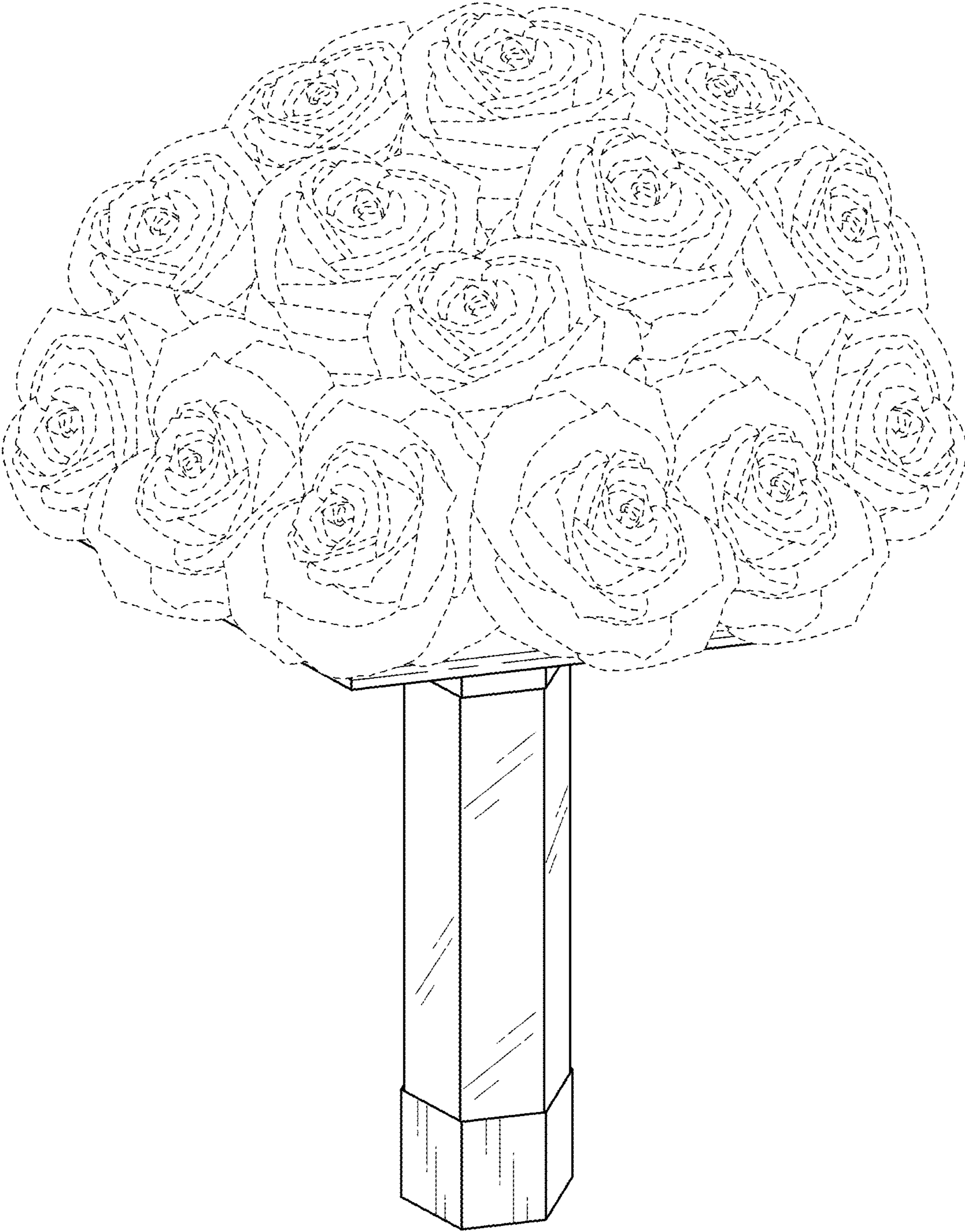


FIG. 1

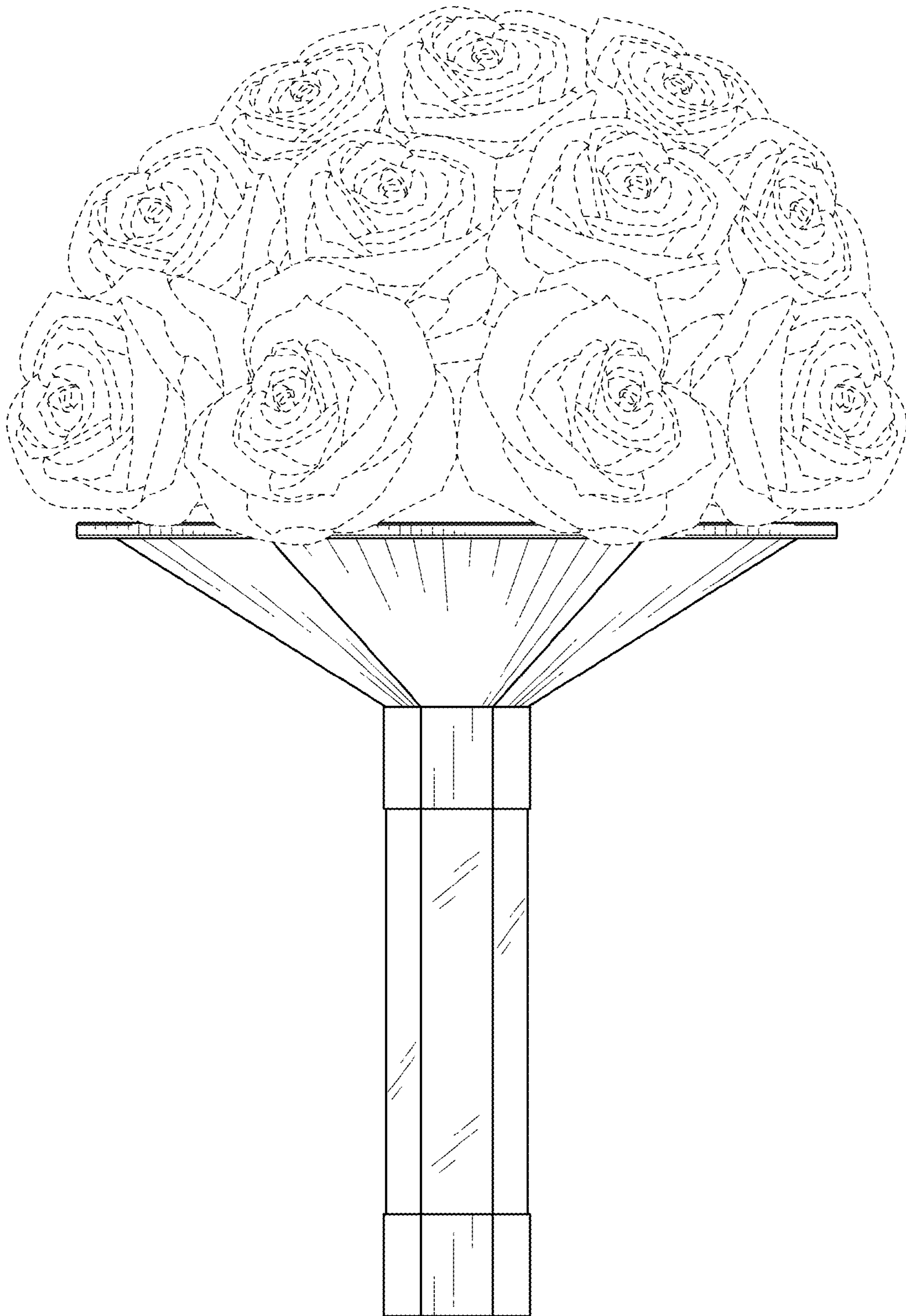


FIG. 2



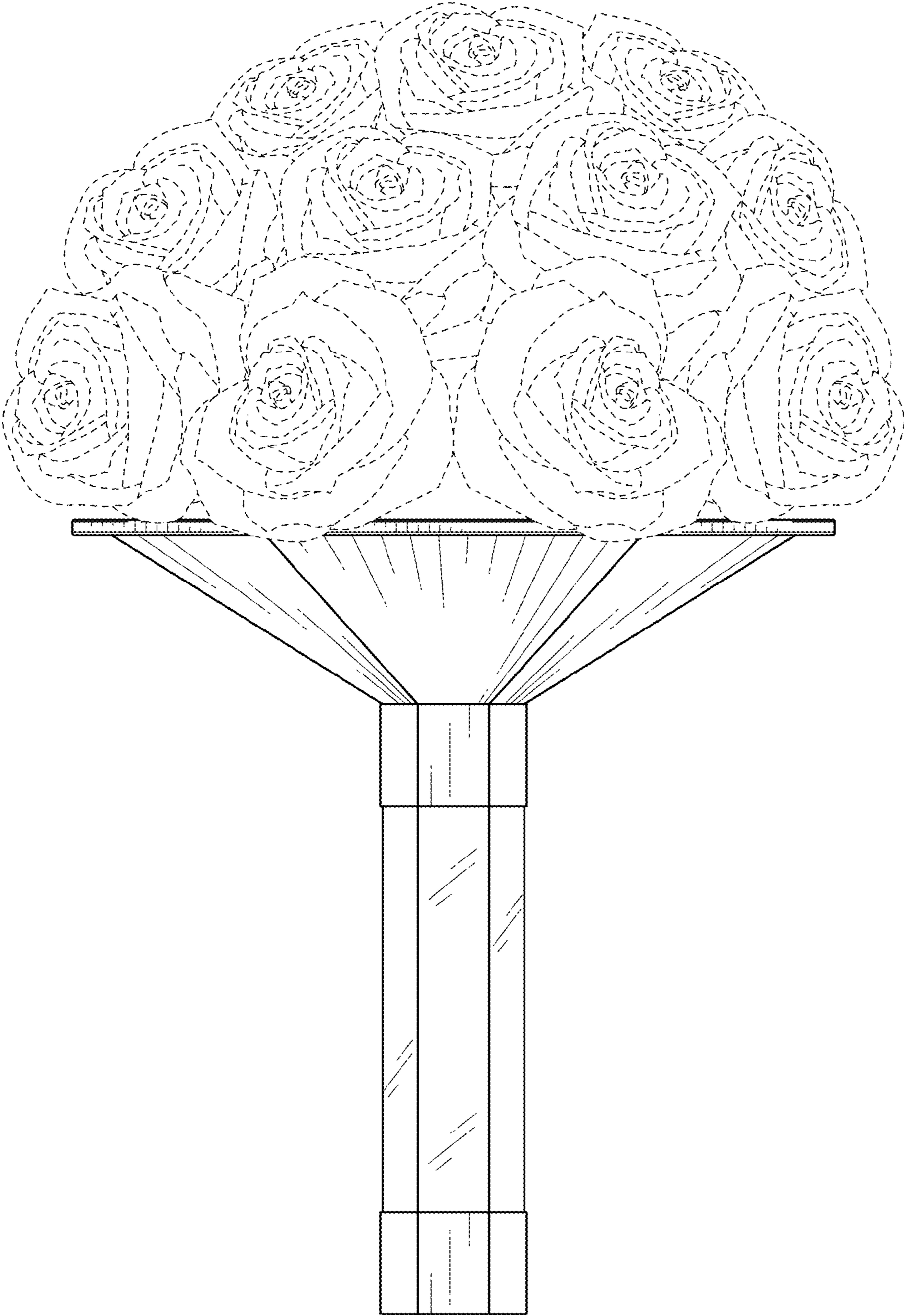


FIG. 3

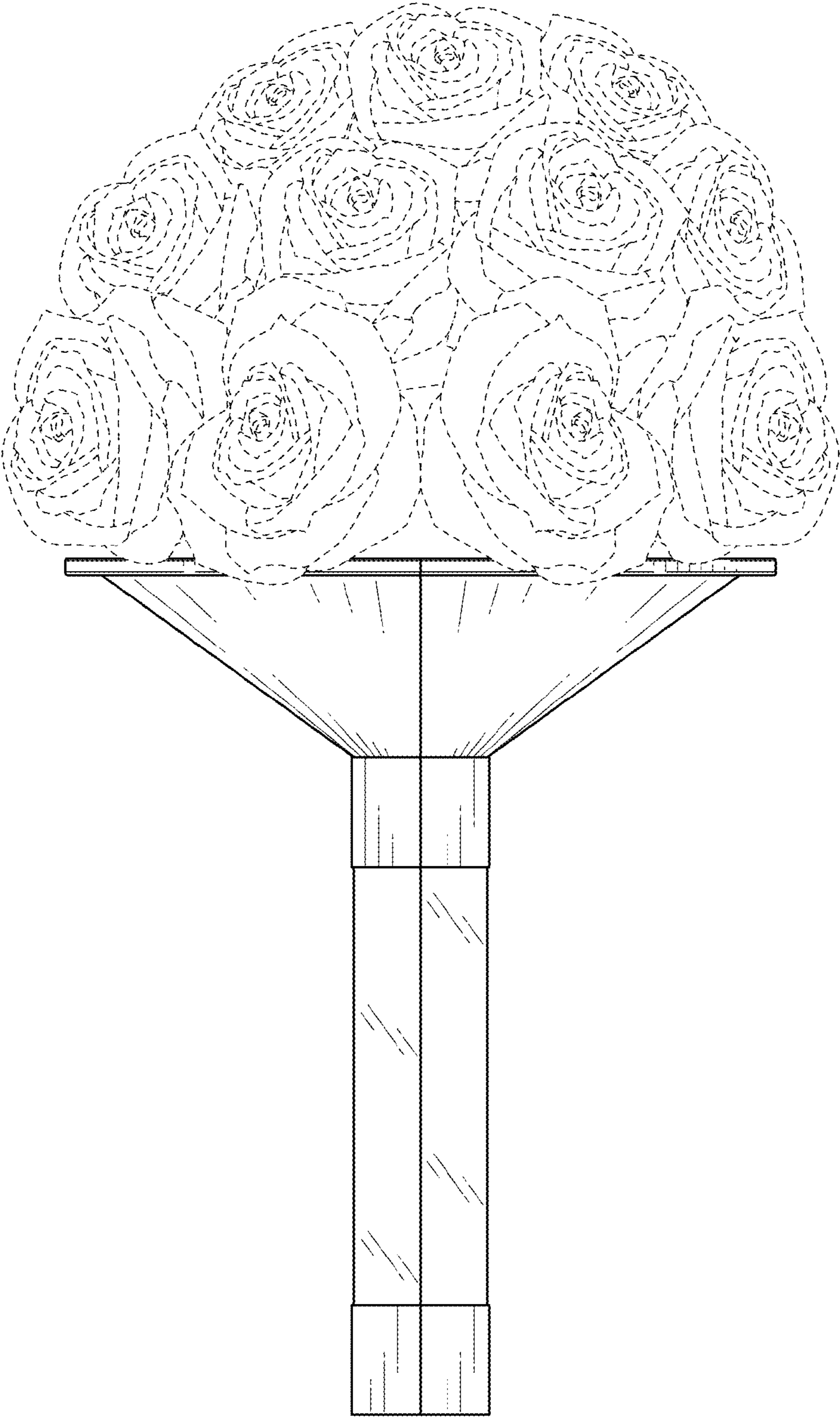


FIG. 4

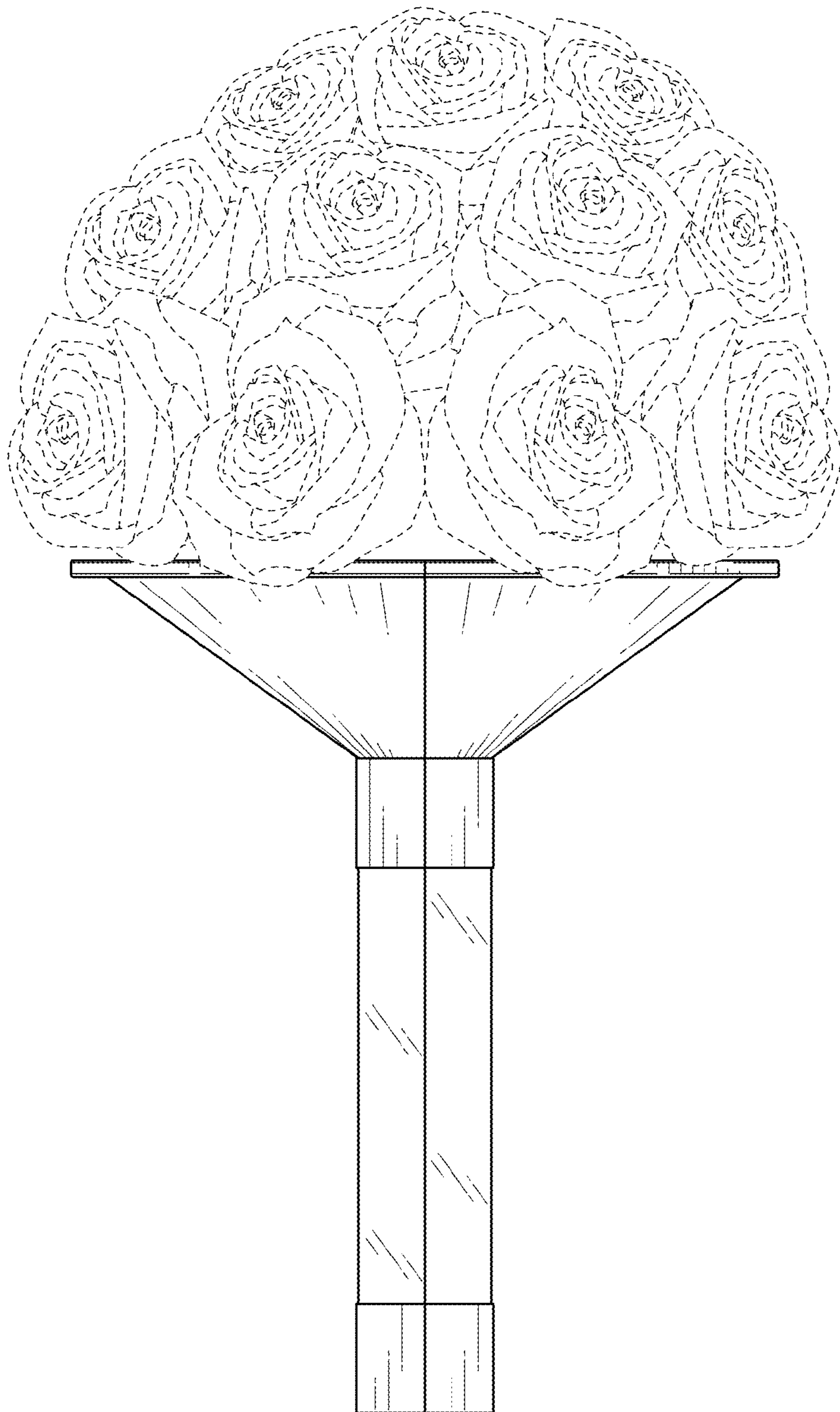


FIG. 5

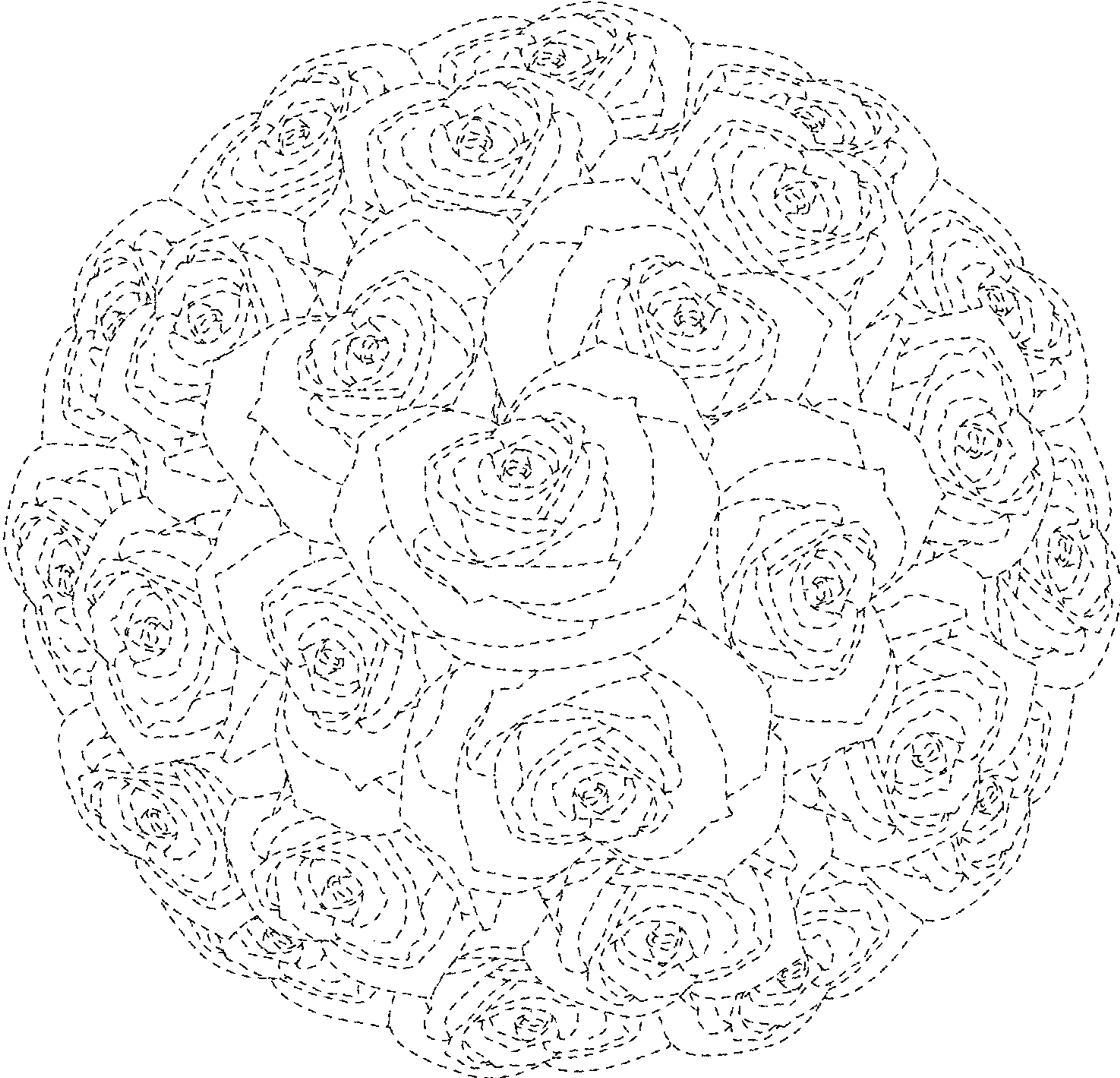


FIG. 6



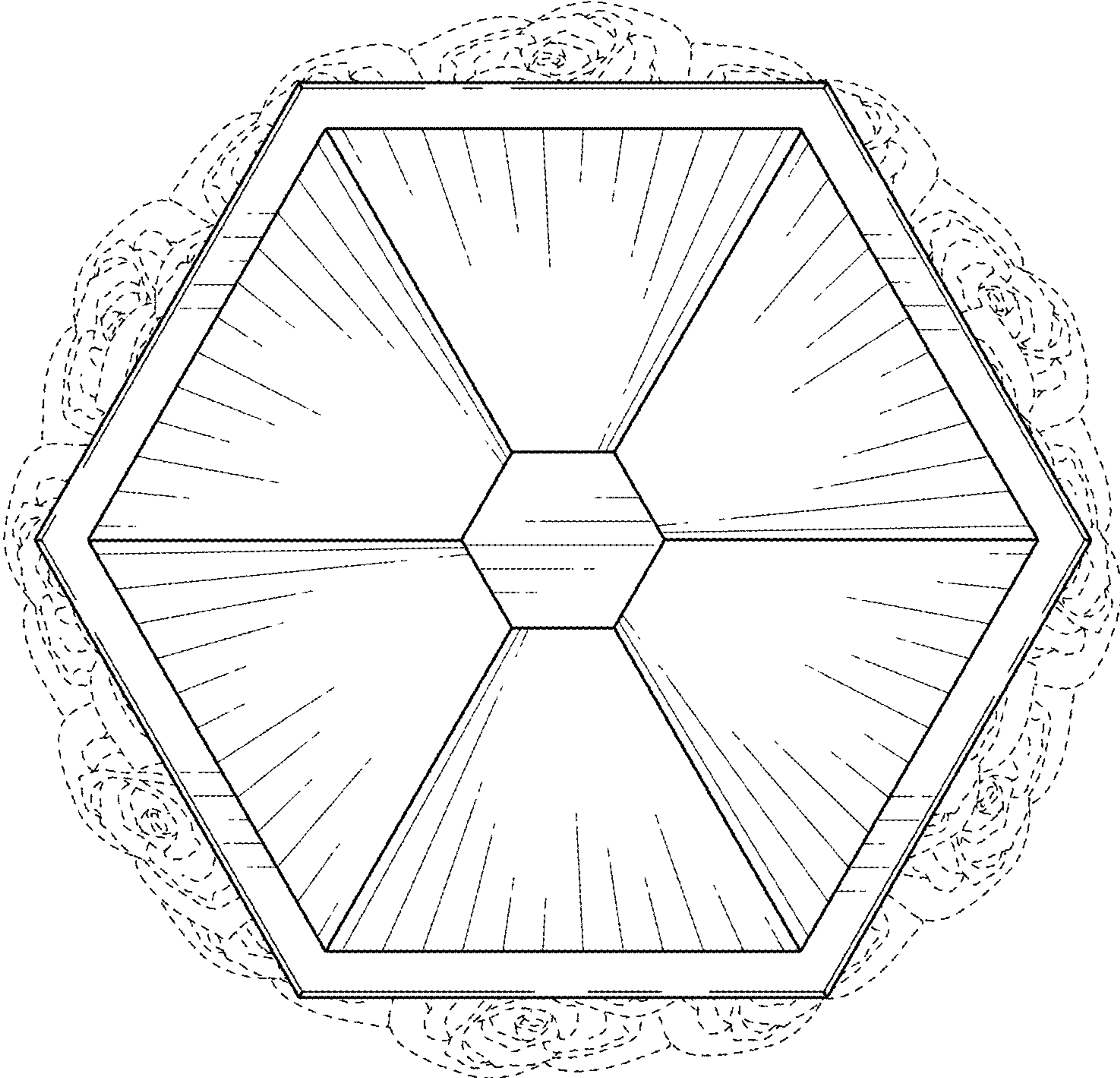


FIG. 7