



US00D902775S

(12) **United States Design Patent**  
**Turpin**

(10) **Patent No.:** **US D902,775 S**

(45) **Date of Patent:** **\*\* Nov. 24, 2020**

(54) **JEWELRY ITEM**

(71) Applicant: **Zachariah Turpin**, Jackson, WY (US)

(72) Inventor: **Zachariah Turpin**, Jackson, WY (US)

(\*\*) Term: **15 Years**

(21) Appl. No.: **29/672,210**

(22) Filed: **Dec. 4, 2018**

(51) **LOC (12) Cl.** ..... **11-01**

(52) **U.S. Cl.**

USPC ..... **D11/81**

(58) **Field of Classification Search**

USPC .... D11/1-18, 26, 30, 39, 40-49, 56, 57, 58,  
D11/60, 61, 64, 72, 75, 76, 78-86,  
D11/95-100, 102-103, 115, 116, 131;  
D3/211; D8/347, 348; D6/563  
CPC .. A44C 1/00; A44C 3/00; A44C 3/001; A44C  
3/004; A44C 3/005; A44C 5/00; A44C  
5/02; A44C 7/00; A44C 7/002; A44C  
7/003; A44C 7/004; A44C 7/005; A44C  
7/006; A44C 7/007; A44C 7/008; A44C  
9/00; A44C 9/0007; A44C 9/0015; A44C  
9/0023; A44C 9/003; A44C 15/00; A44C  
15/0015; A44C 15/002; A44C 15/0025;  
A44C 15/005; A44C 15/0055; A44C  
21/00; A44C 23/00; A44C 25/00; A44C  
25/001; A44C 25/002; A44C 25/005;  
A44C 25/007; A44C 25/008

See application file for complete search history.

(56) **References Cited**

**U.S. PATENT DOCUMENTS**

D64,533 S \* 4/1924 Duquette ..... D8/348  
D125,159 S \* 2/1941 Philippe ..... D11/60  
D125,161 S \* 2/1941 Philippe ..... D11/60  
D149,945 S \* 6/1948 Jones ..... D11/112

2,694,844 A \* 11/1954 Grumbach ..... G09F 3/00  
24/374  
D253,997 S \* 1/1980 Kaspar ..... D11/2  
D259,453 S \* 6/1981 Warhaftig ..... D6/563  
D485,505 S \* 1/2004 Cohen ..... D11/60  
D514,429 S \* 2/2006 Cook ..... D8/347  
D555,457 S \* 11/2007 Leija ..... D8/347  
D587,936 S \* 3/2009 Johnson ..... D6/563  
D891,979 S \* 8/2020 Turpin ..... D11/99  
2019/0125044 A1\* 5/2019 Reckord ..... A44C 25/001

**OTHER PUBLICATIONS**

Trinity Teton Key, no date available, [online], [site visited Sep. 23, 2020]. Retrieved from url:https://www.jacksonholejewelry.com/products/teton-trinity-key (Year: 2020).\*

\* cited by examiner

*Primary Examiner* — Michelle E. Wilson

*Assistant Examiner* — Tracey J Bell

(74) *Attorney, Agent, or Firm* — Salter & Michaelson

(57) **CLAIM**

The ornamental design for a jewelry item, as shown and described.

**DESCRIPTION**

FIG. 1 is a perspective view of a jewelry item;

FIG. 2 is a front elevational view thereof;

FIG. 3 is a rear elevational view thereof;

FIG. 4 is a right side elevational view thereof;

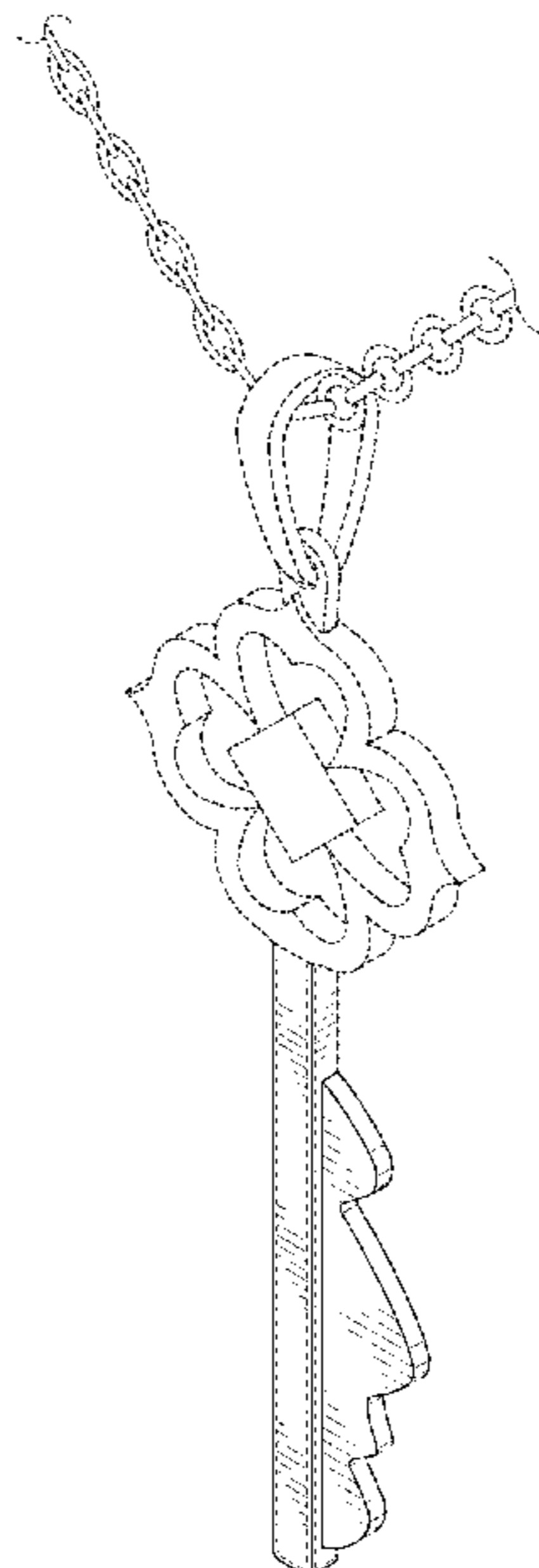
FIG. 5 is a left side elevational view thereof;

FIG. 6 is a top plan view thereof; and,

FIG. 7 is a bottom plan view thereof.

The broken lines shown in the drawing views are included for the purpose of showing environmental structure that forms no part of the claimed design.

**1 Claim, 5 Drawing Sheets**



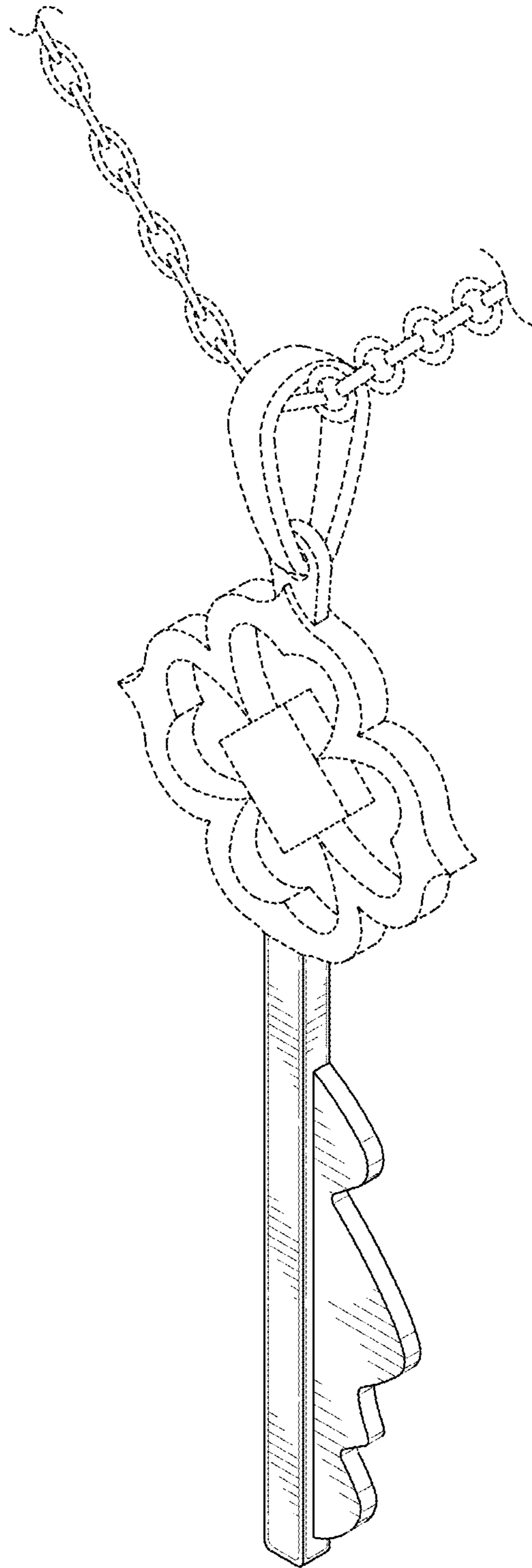


FIG. 1

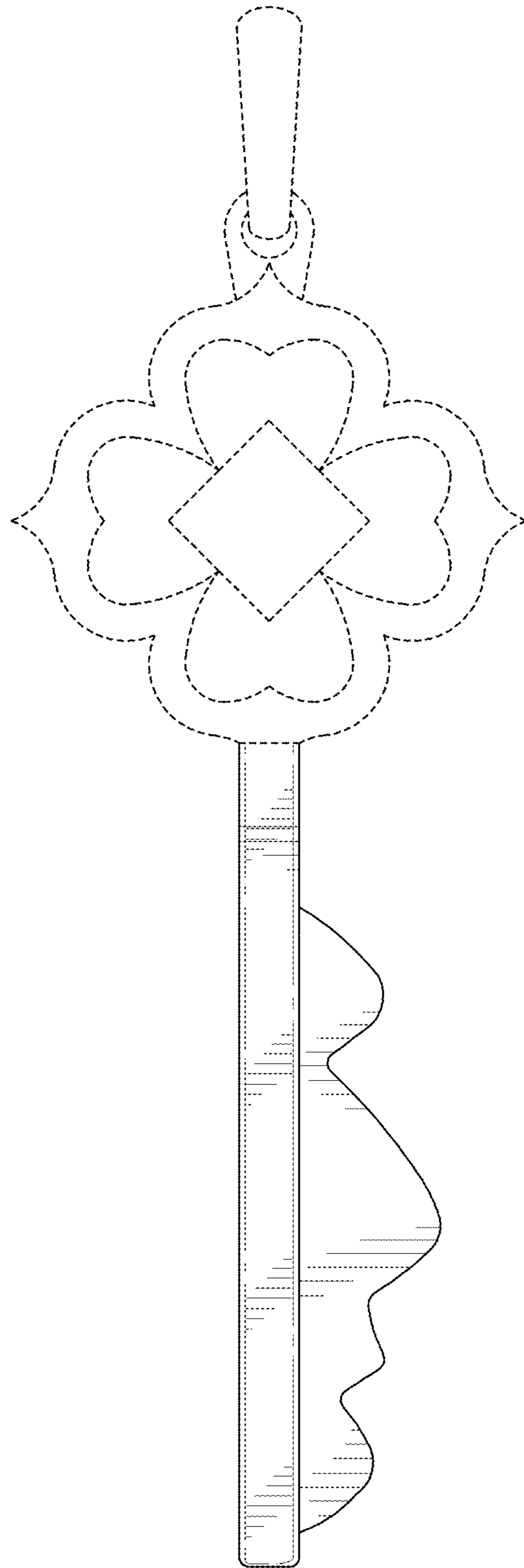


FIG. 2

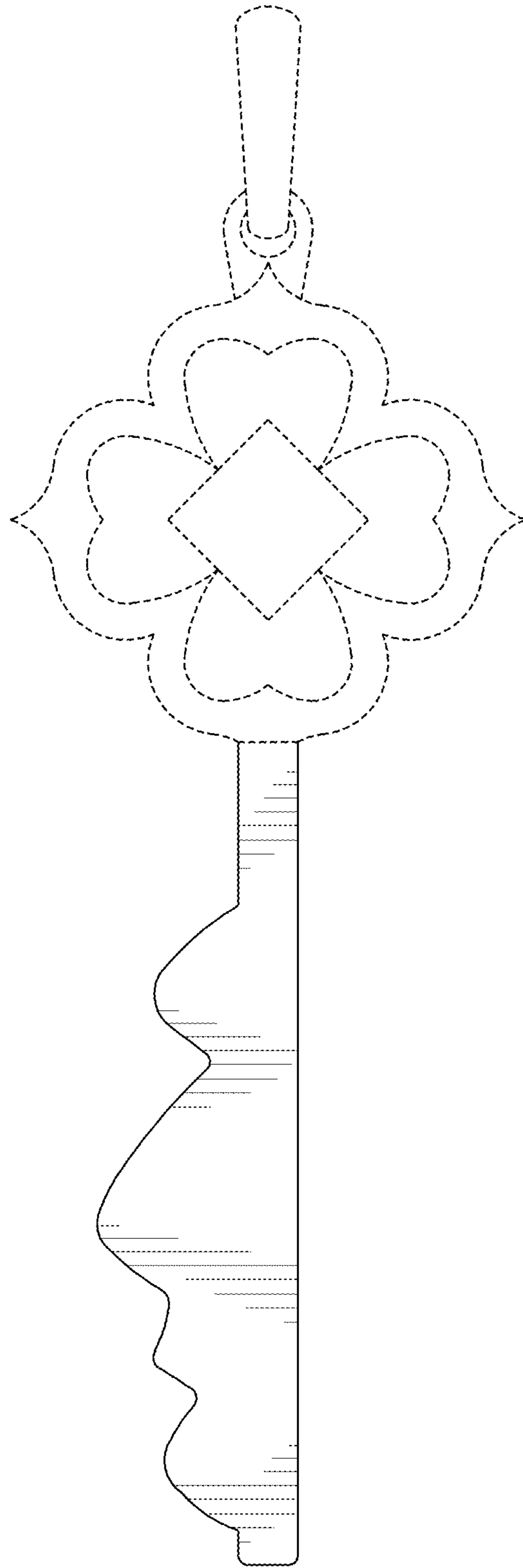


FIG. 3

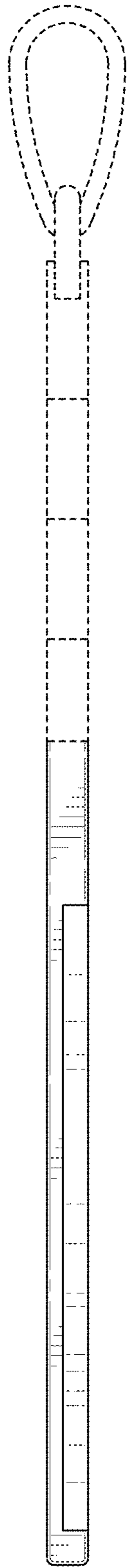


FIG. 4

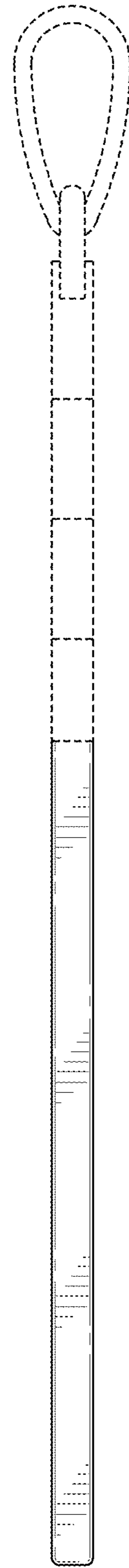


FIG. 5

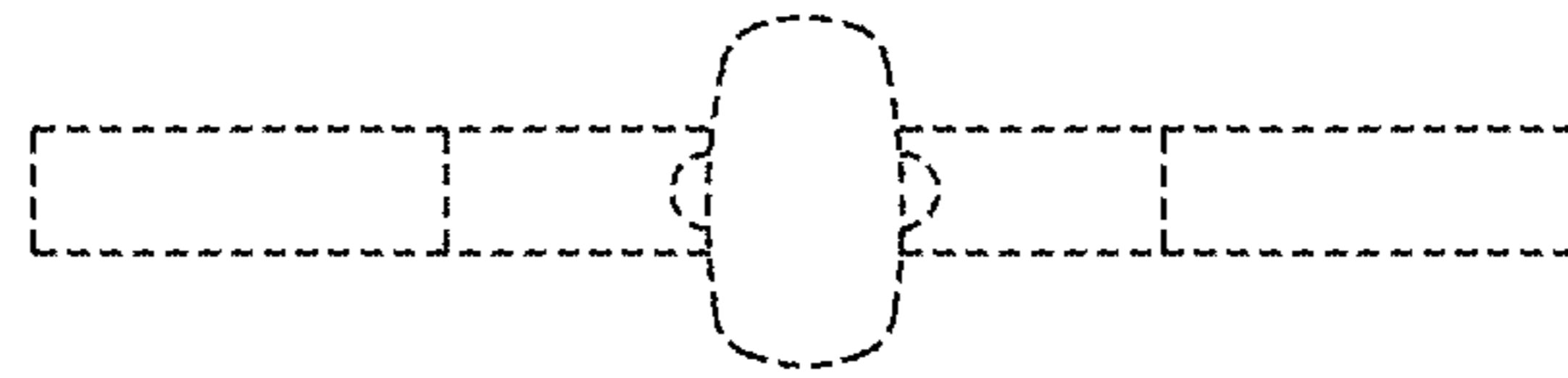


FIG. 6

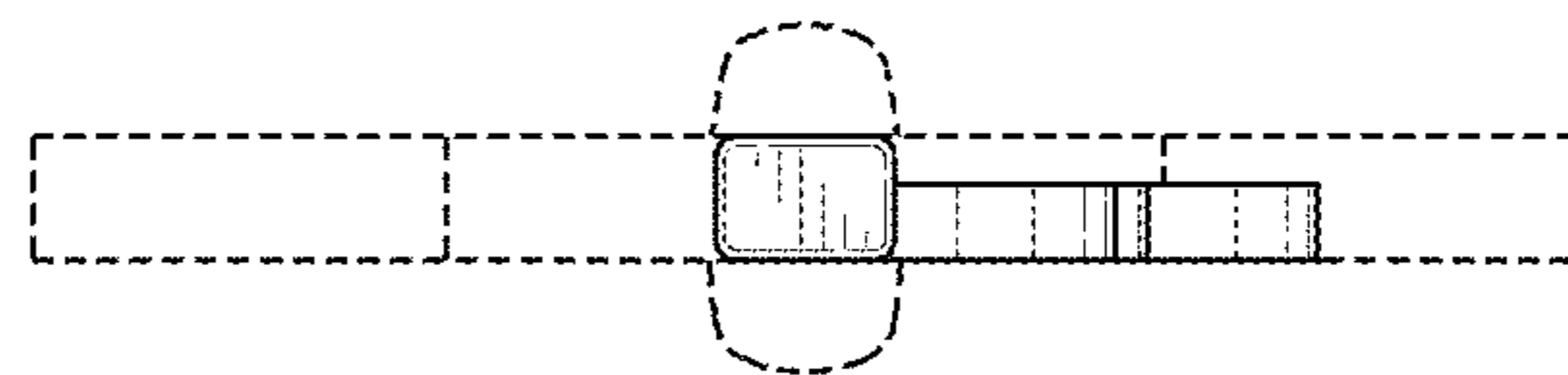


FIG. 7