



US00D902774S

(12) **United States Design Patent** (10) **Patent No.:** **US D902,774 S**
Rivers (45) **Date of Patent:** **** Nov. 24, 2020**

(54) **BRAIDED PENDANT**

(71) Applicant: **Anthony Rivers**, Los Angeles, CA (US)

(72) Inventor: **Anthony Rivers**, Los Angeles, CA (US)

(**) Term: **15 Years**

(21) Appl. No.: **29/652,066**

(22) Filed: **Apr. 29, 2020**

(51) **LOC (12) Cl.** **11-01**

(52) **U.S. Cl.**
USPC **D11/79**

(58) **Field of Classification Search**

USPC D11/6, 7, 8, 40, 43, 44, 48, 49, 56, 57,
D11/58, 61, 77, 79, 80, 81, 82, 95, 96,
D11/97, 99, 100, 103, 116, 121, 2, 3, 4,
D11/9-11, 26, 30, 132; D3/207, 208,
D3/211; D6/581; D26/154; D2/607,
D2/299

CPC A44C 25/001; A44C 25/00; A44C 3/00;
A44C 1/00; A44C 25/007

See application file for complete search history.

(56) **References Cited**

U.S. PATENT DOCUMENTS

521,370 A * 6/1894 Hensel B44C 5/00
428/28
676,473 A * 6/1901 Pollard A44C 1/00
63/20
D102,023 S * 11/1936 Adams D16/219
D131,662 S * 3/1942 Holmstock D11/113
2,778,208 A * 1/1957 Flint A44C 25/001
63/23
D236,368 S * 8/1975 Jacobsen D11/84
D292,502 S * 10/1987 Croker D11/116
D368,052 S * 3/1996 Mendez D11/132
D455,097 S 4/2002 Salvarani

D592,537 S * 5/2009 Darnell D11/3
D593,348 S * 6/2009 Dunn D6/580
D678,110 S 3/2013 Correa
D721,607 S 1/2015 Lindstrom
D753,532 S 4/2016 Roth
D753,533 S 4/2016 Roth
D821,909 S * 7/2018 Marchand D11/26
D843,260 S 3/2019 Jimenez et al.
2016/0302535 A1 10/2016 Stewart et al.

OTHER PUBLICATIONS

How To Double Loop Lace, Sep. 25, 2019, [online], [site visited Aug. 1, 2020]. Retrieved from url:https://www.youtube.com/watch?v=0AwxyCUumQ4 (Year: 2019).*

* cited by examiner

Primary Examiner — Michelle E. Wilson
Assistant Examiner — Tracey J Bell
(74) *Attorney, Agent, or Firm* — Dunlap Bennett & Ludwig, PLLC

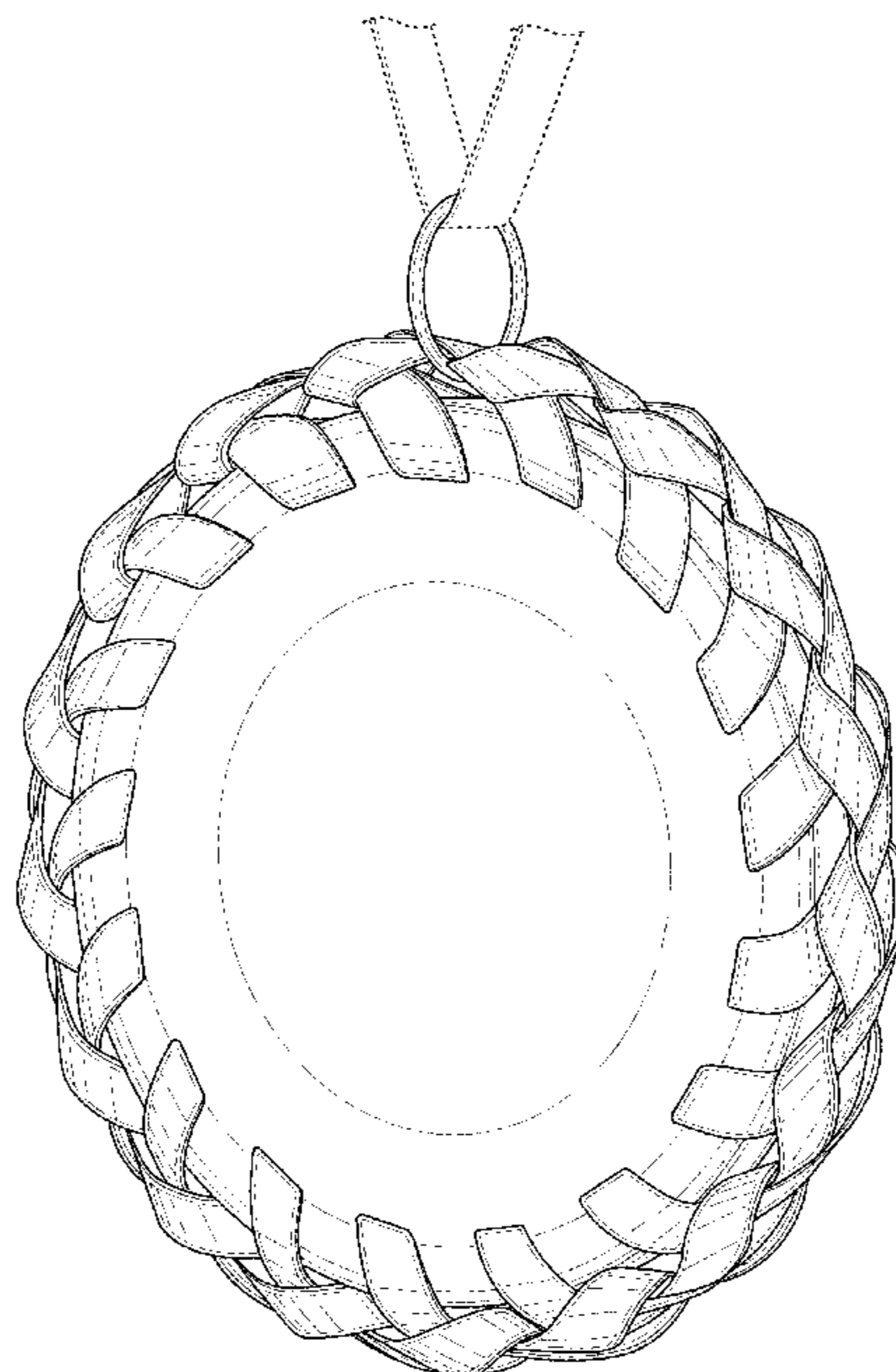
(57) **CLAIM**

The ornamental design for a braided pendant, as shown and described.

DESCRIPTION

FIG. 1 is a perspective view of a braided pendant;
FIG. 2 is a front elevation view thereof;
FIG. 3 is a rear elevation view thereof;
FIG. 4 is a right side elevation view thereof;
FIG. 5 is a left side elevation view thereof;
FIG. 6 is a top plan view thereof; and,
FIG. 7 is a bottom plan view thereof.
The broken lines shown in the drawings depict a necklace that forms no part of the claimed invention.

1 Claim, 5 Drawing Sheets



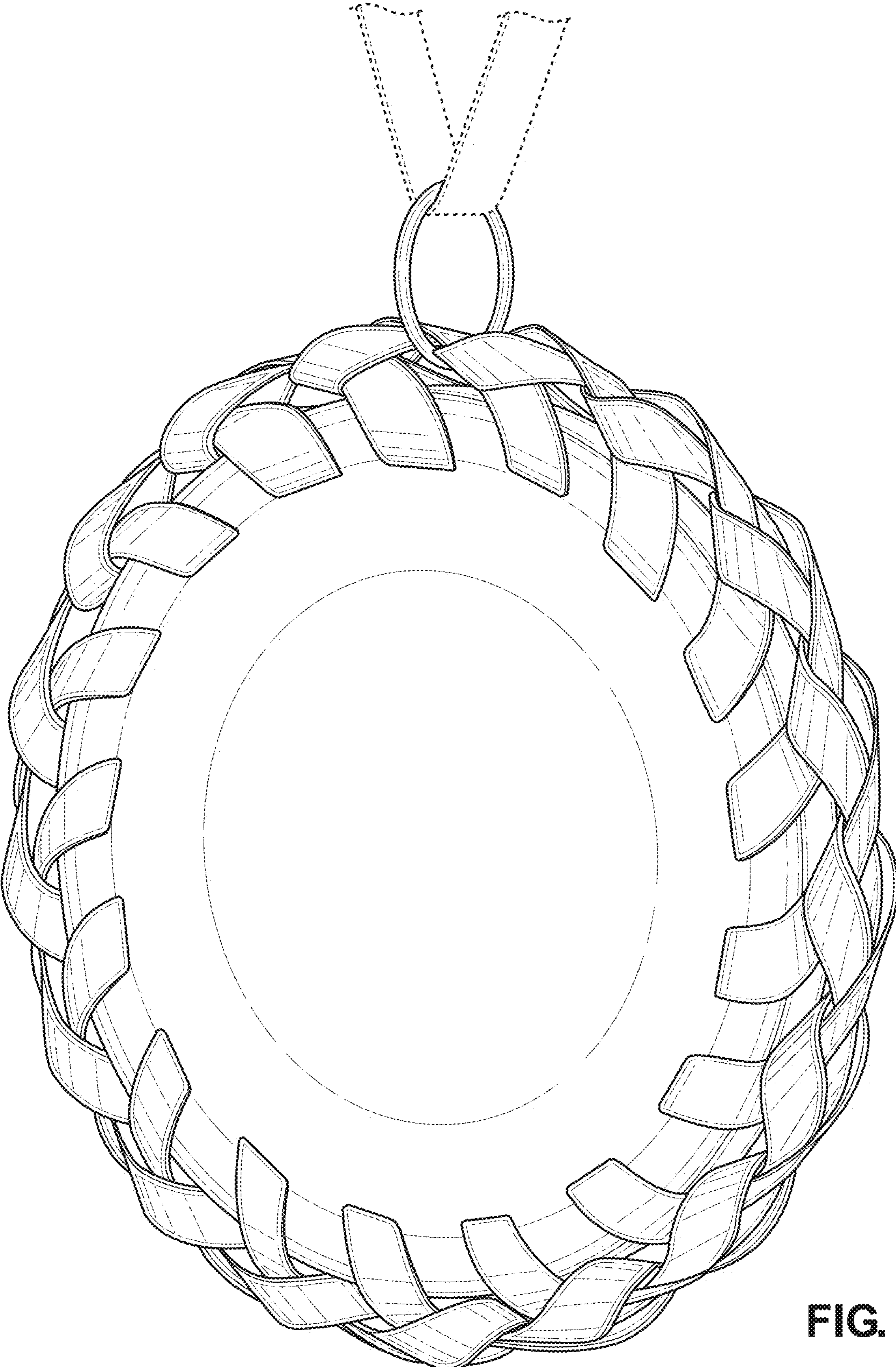


FIG. 1

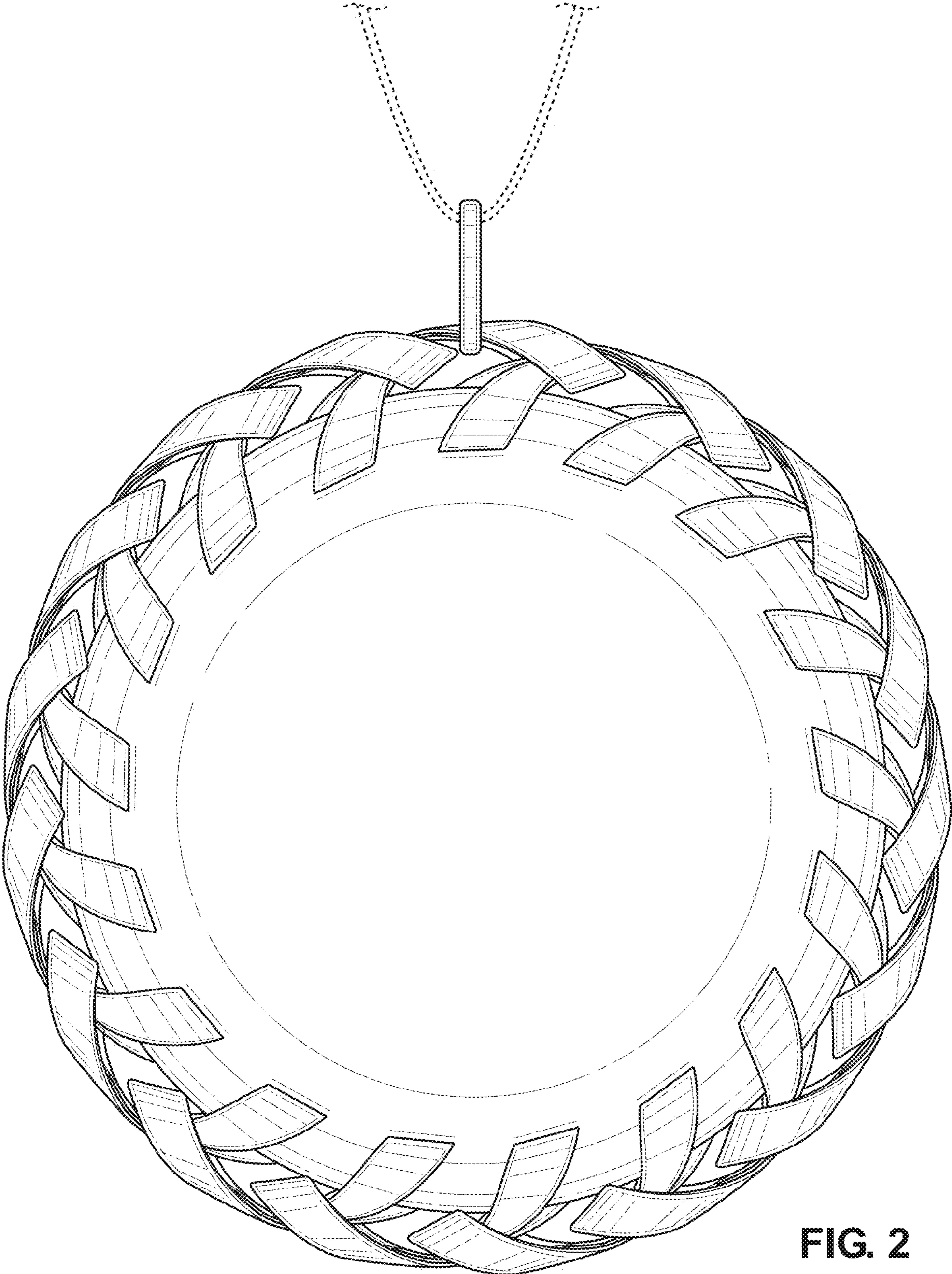


FIG. 2

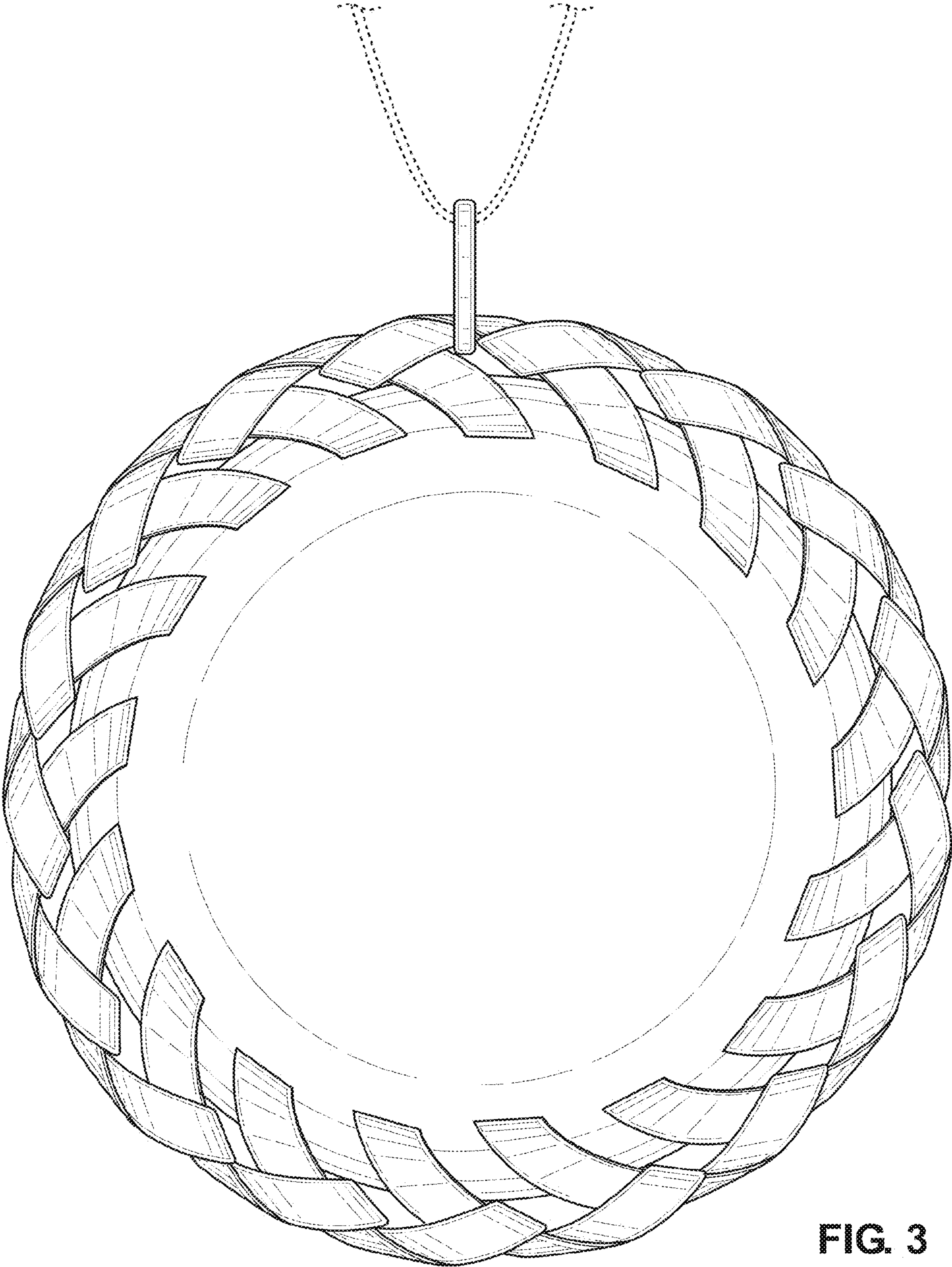


FIG. 3

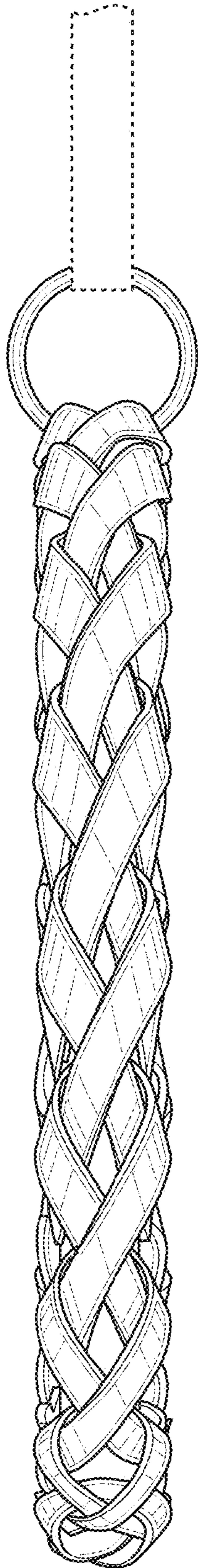


FIG. 4

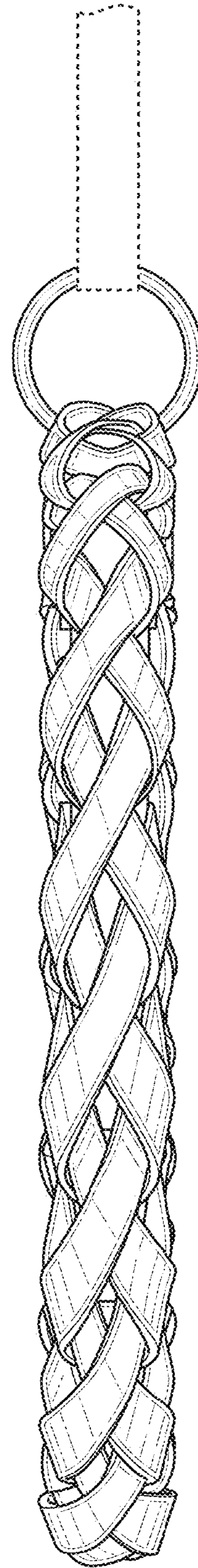


FIG. 5

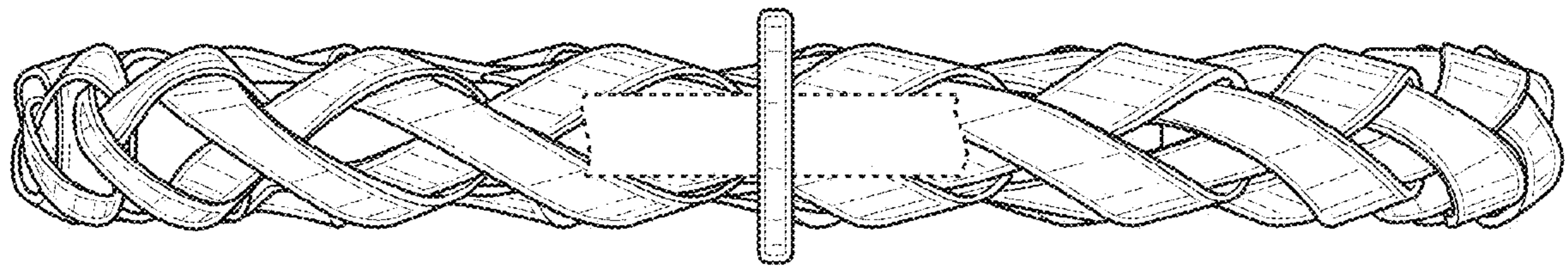


FIG. 6

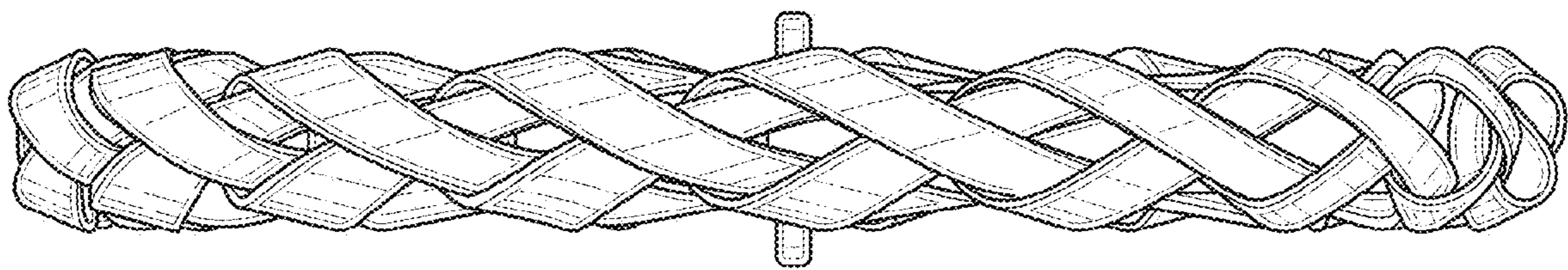


FIG. 7