



US00D902770S

(12) **United States Design Patent** (10) **Patent No.:** **US D902,770 S**
Guerrero (45) **Date of Patent:** **** Nov. 24, 2020**

(54) **RING WITH A DUAL-TONE CARBON FIBER INLAY**

D635,481 S * 4/2011 Modi D11/38
D789,232 S * 6/2017 Baker D11/26
2019/0174885 A1* 6/2019 Tata A44C 9/003

(71) Applicant: **Michael Guerrero**, Elk Grove, CA (US)

OTHER PUBLICATIONS

(72) Inventor: **Michael Guerrero**, Elk Grove, CA (US)

[Online] <https://www.zales.com/mens-80mm-white-carbon-fiber-black-ceramic-comfort-fit-wedding-band/p/V-19181635>. Retrieved Aug. 30, 2020.*

(**) Term: **15 Years**

[online] <https://skulljewelry.com/products/carbon-fiber-inlay-two-toned-band-ring-stainless-steel-c025>. Retrieved 8/30/20.*

(21) Appl. No.: **29/611,545**

* cited by examiner

(22) Filed: **Jul. 22, 2017**

(51) **LOC (12) Cl.** **11-01**

Primary Examiner — Melanie Pellegrini

(52) **U.S. Cl.**
USPC **D11/38**

(74) *Attorney, Agent, or Firm* — Hanrahan Law Firm P.A.; Benjamin M. Hanrahan

(58) **Field of Classification Search**

USPC D11/3, 4, 26–39, 86, 91
CPC A44C 5/00; A44C 5/0007; A44C 5/0015;
A44C 5/003; A44C 5/0053; A44C 9/00;
A44C 9/0007; A44C 9/0014; A44C
9/0023; A44C 9/003; A44C 9/0038; A44C
9/0046; A44C 9/0053; A44C 9/0061;
A44C 9/0069; A44C 9/0076; A44C
9/0084; A44C 9/0092

(57) **CLAIM**

The ornamental design for a ring with a dual-tone carbon fiber inlay, as shown and described.

See application file for complete search history.

DESCRIPTION

(56) **References Cited**

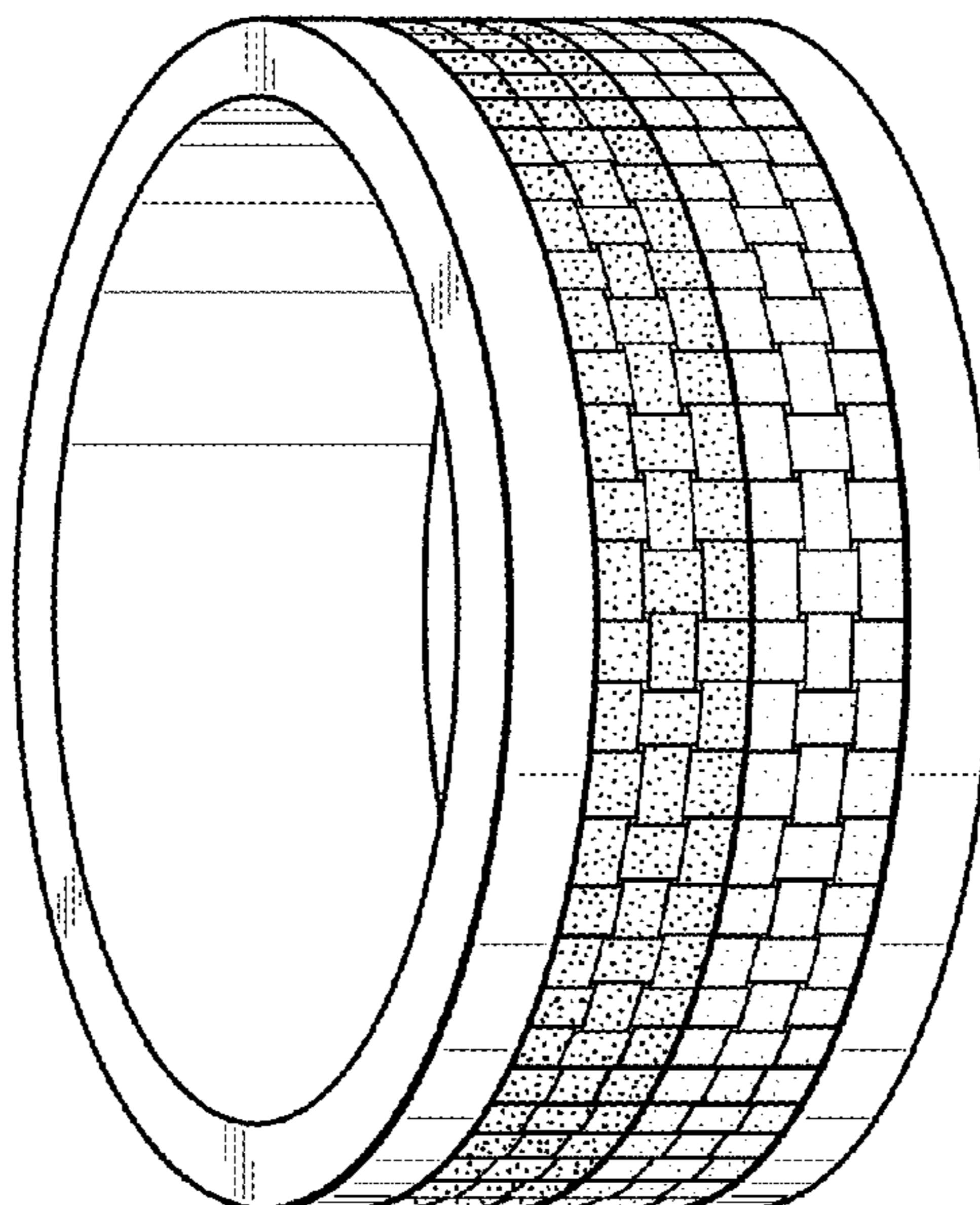
U.S. PATENT DOCUMENTS

D50,807 S * 5/1917 Bowden et al. D11/38
D102,167 S * 12/1936 Kousin D11/34
D234,000 S * 12/1974 Grun et al. D11/38
D262,953 S * 2/1982 Bogner D11/38
D302,954 S * 8/1989 Goldman D11/38
D317,274 S * 6/1991 Redina D11/4
D342,916 S * 1/1994 Giralt D11/26
D373,096 S * 8/1996 Bergagnini D11/28
D489,023 S * 4/2004 Steiner D11/38
D498,695 S * 11/2004 Gruosi D11/38
D610,032 S * 2/2010 White D11/26

FIG. 1 is a front perspective view illustrating my design for a ring with a dual-tone carbon fiber inlay.
FIG. 2 is a top view thereof.
FIG. 3 is a front view thereof.
FIG. 4 is a bottom view thereof.
FIG. 5 is a rear view thereof.
FIG. 6 is a right side view thereof.
FIG. 7 is a left side view thereof; and,
FIG. 8 is a rear perspective view thereof.

The two different stippling patterns shown in FIGS. 1, 3, 5, 6, 7, and 8 are intended to represent contrasting colors, wherein one stippling pattern represents one color and the other stippling pattern represents a different color.

1 Claim, 7 Drawing Sheets



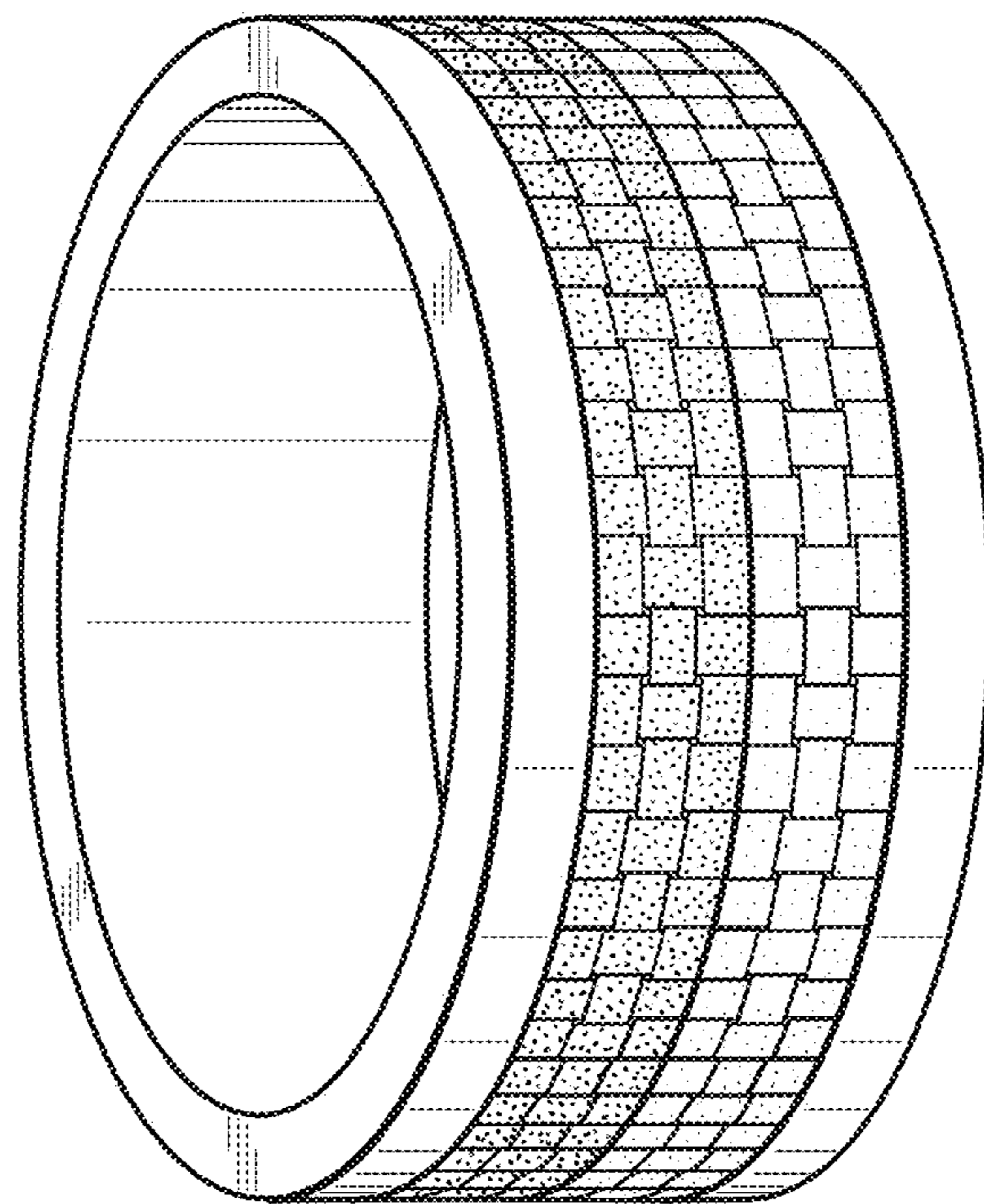


FIG. 1

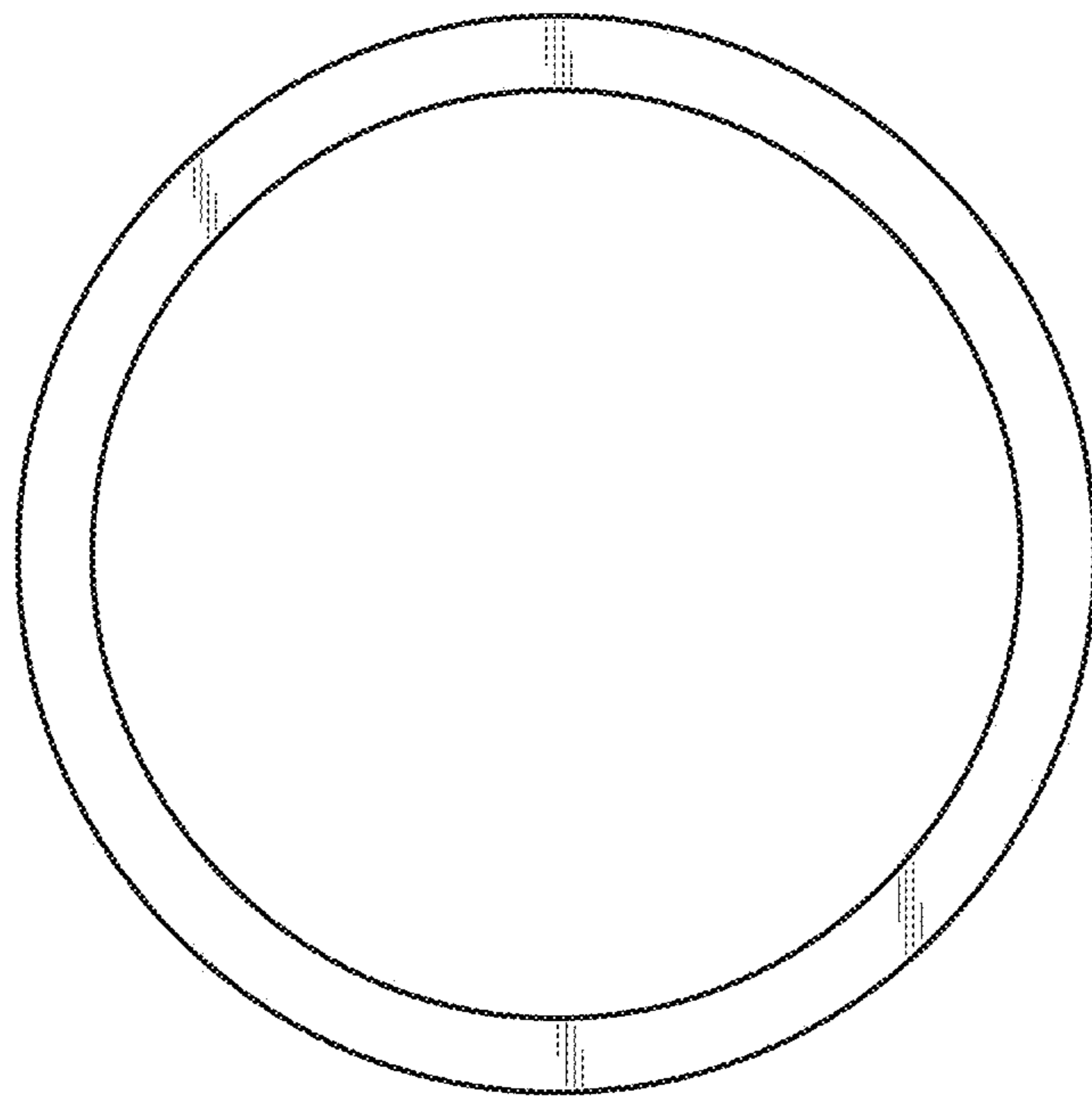


FIG. 2

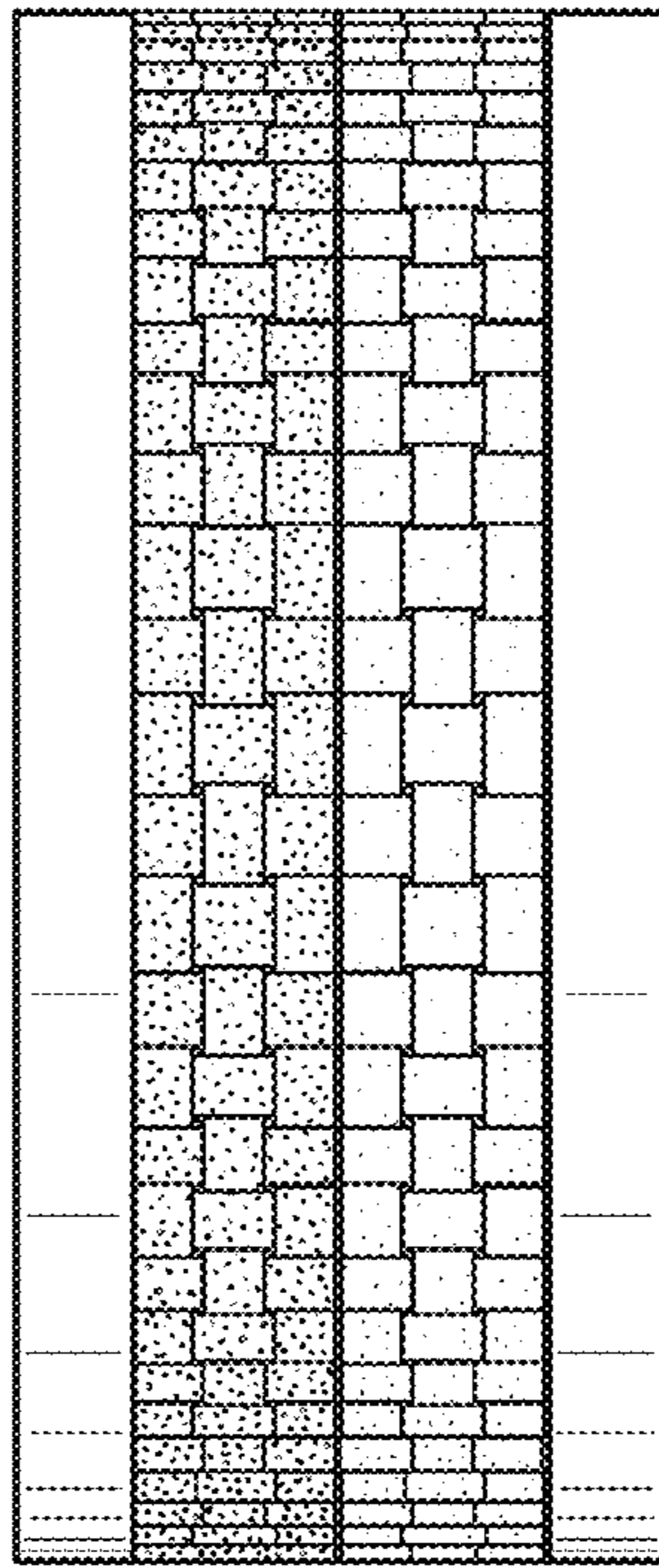


FIG. 3

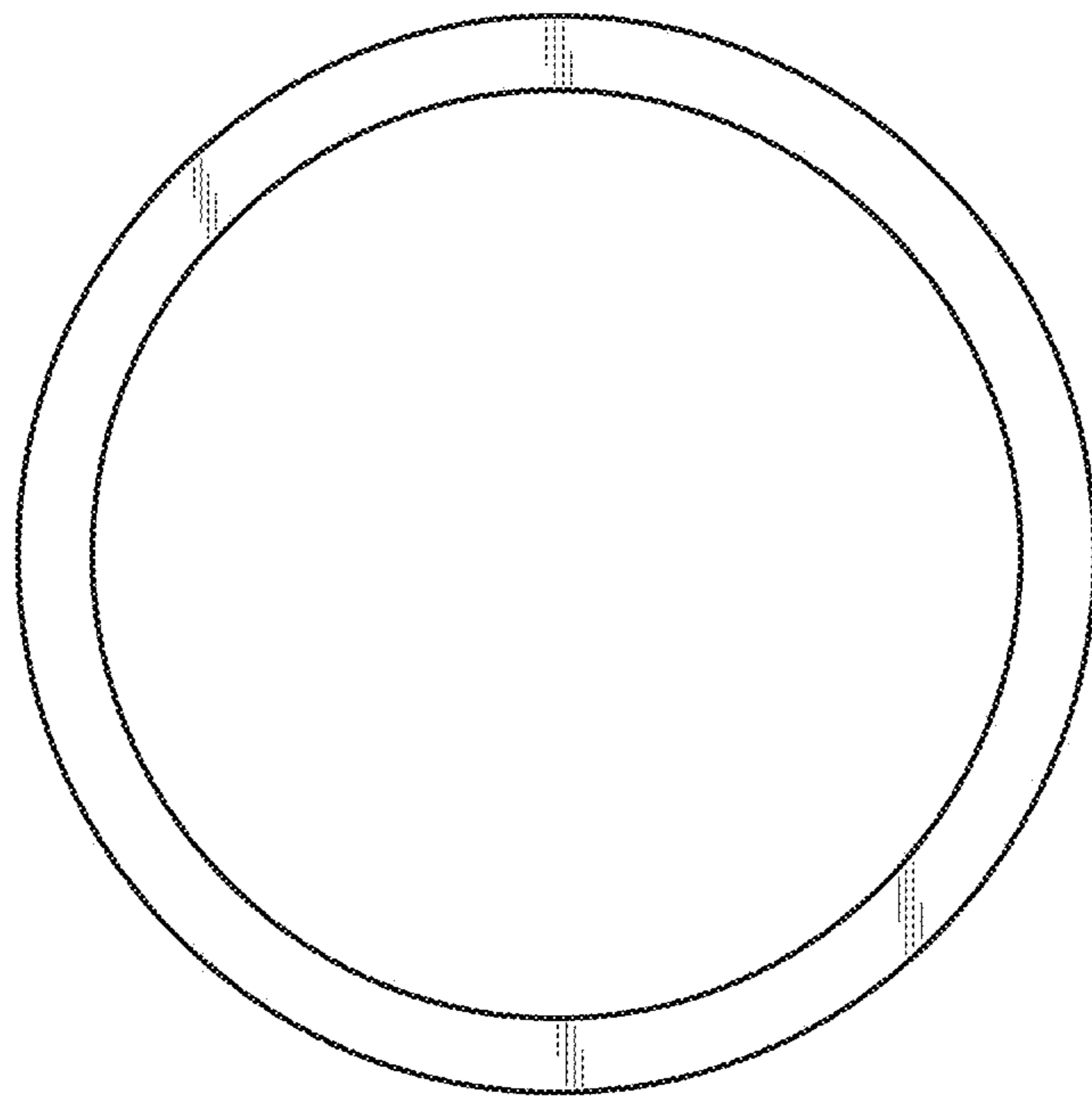


FIG. 4

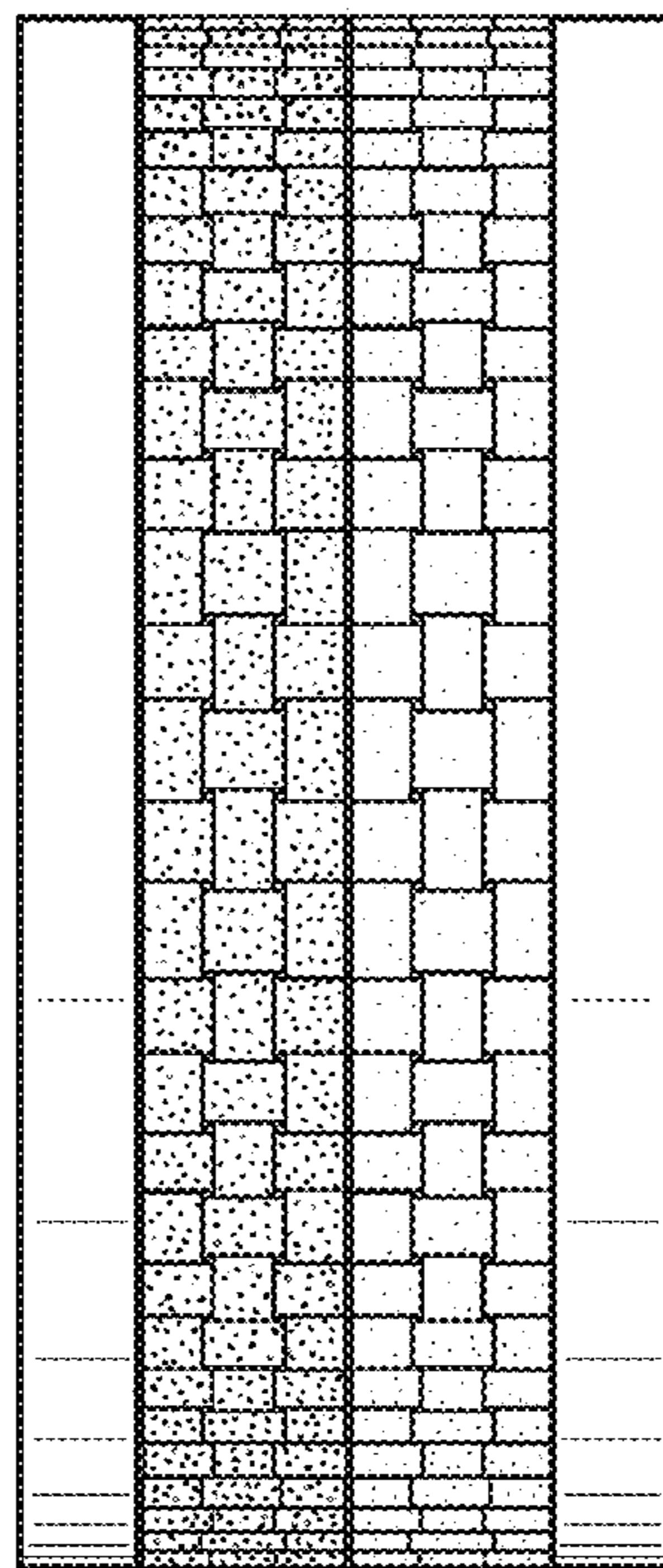


FIG. 5

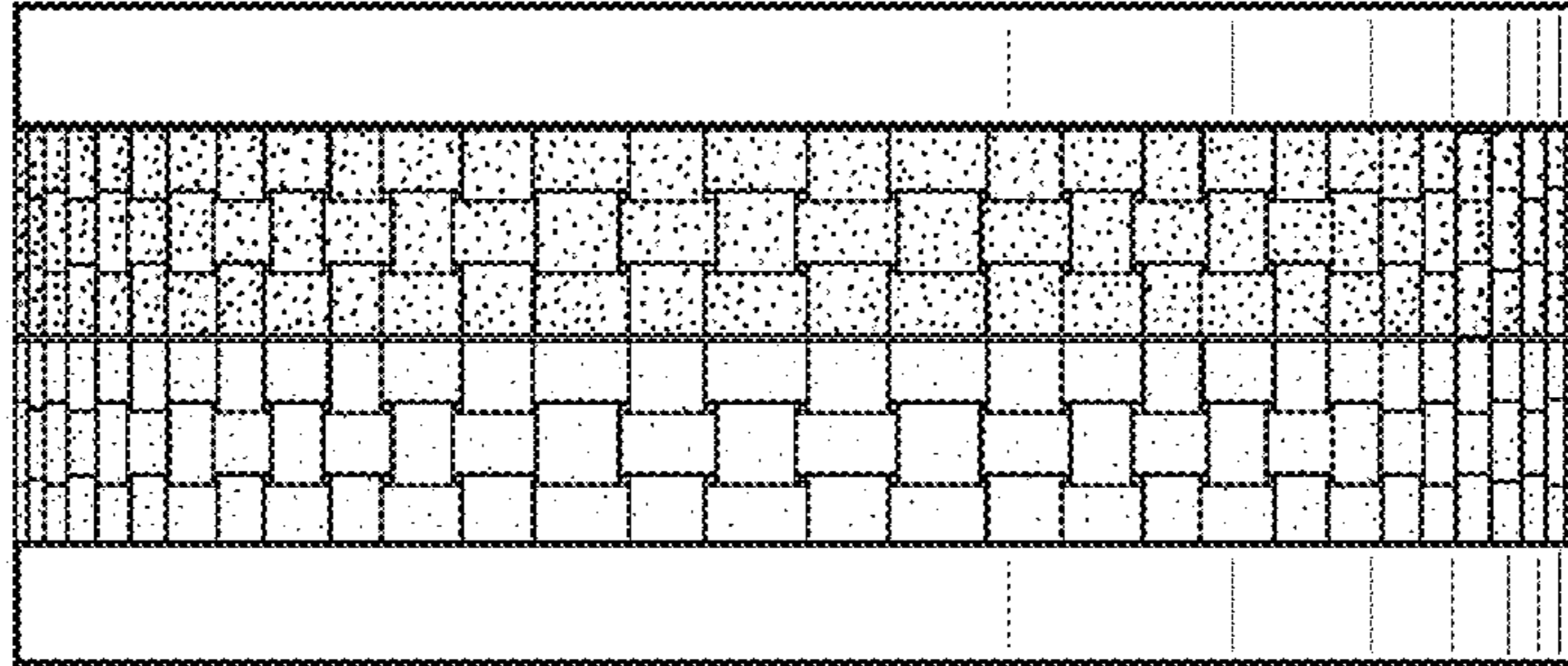


FIG. 6

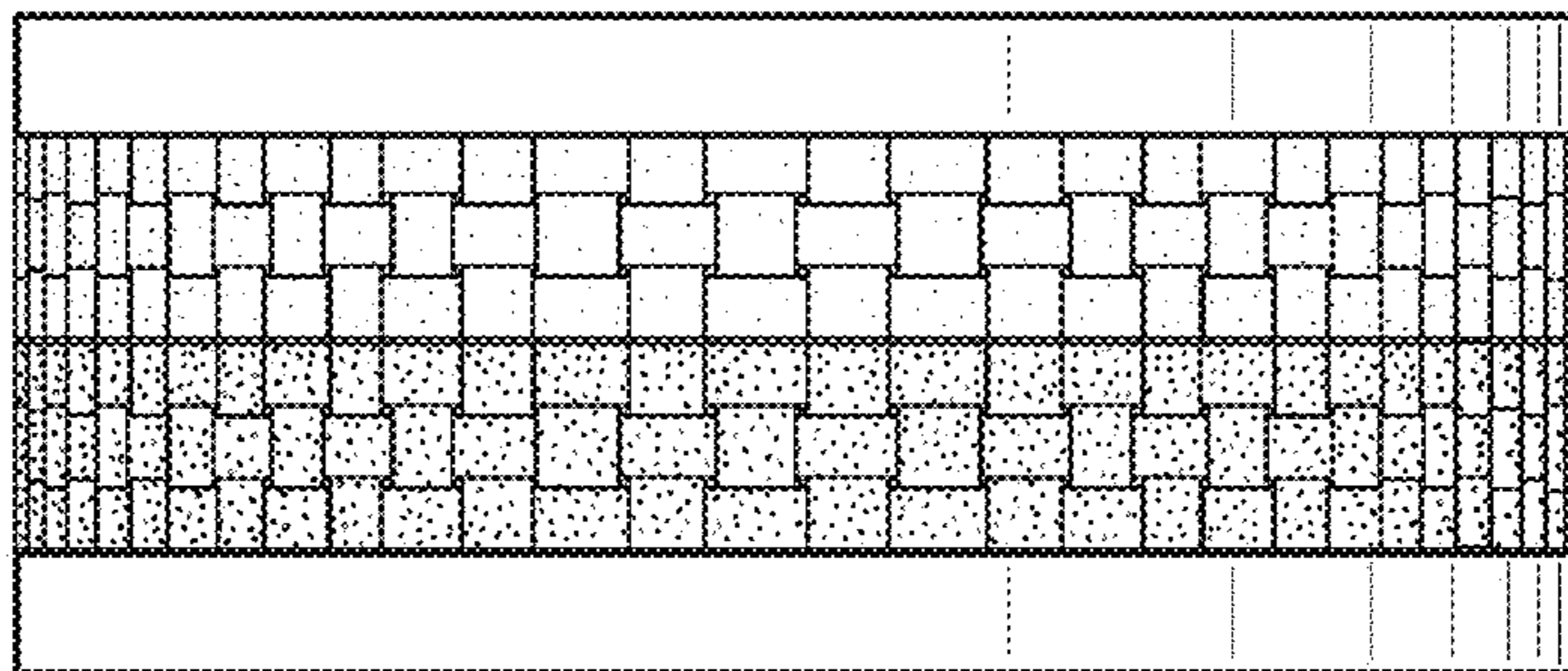


FIG. 7

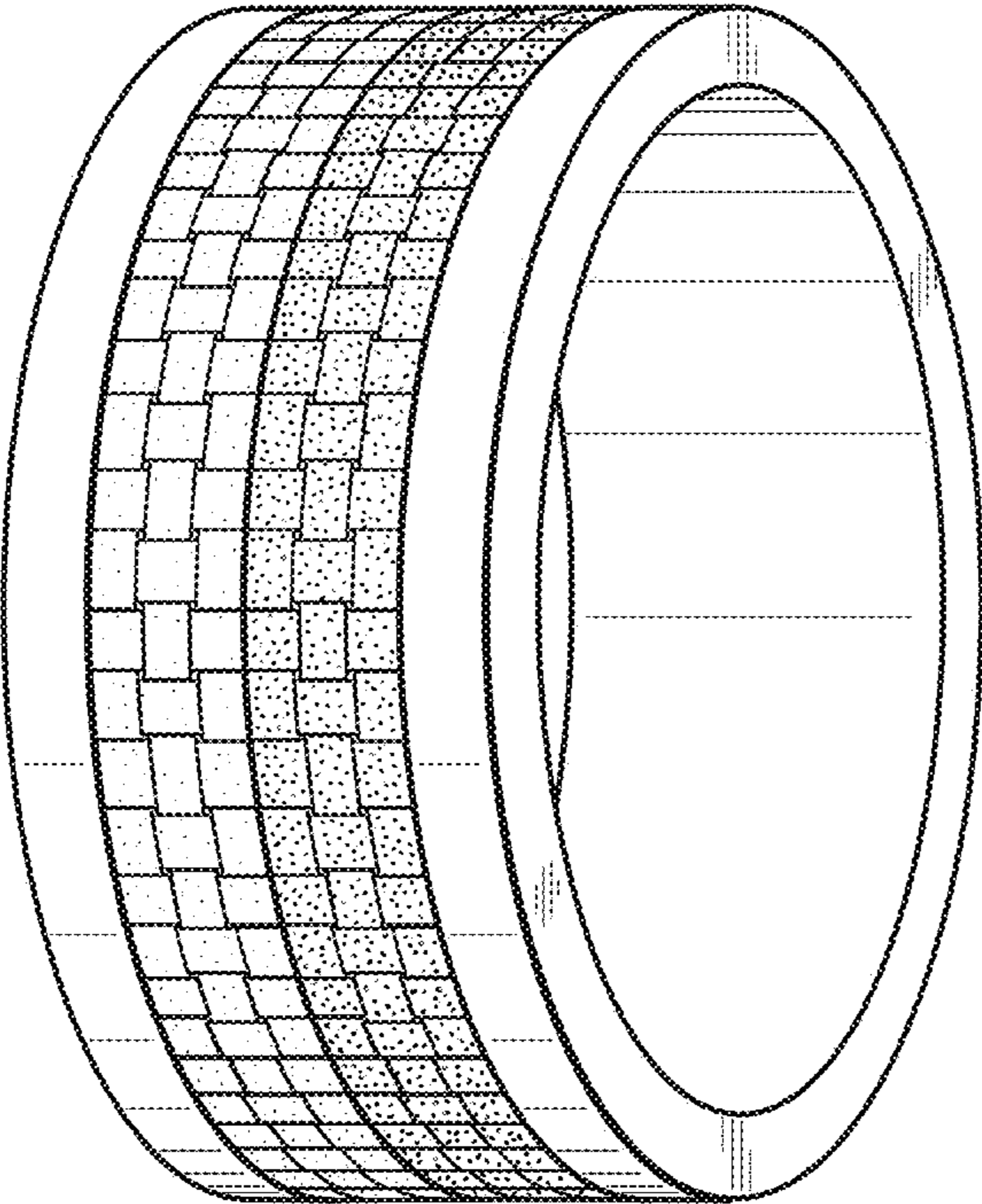


FIG. 8