

US00D902767S

(12) **United States Design Patent**  
**Torres**

(10) **Patent No.:** **US D902,767 S**

(45) **Date of Patent:** **\*\* Nov. 24, 2020**

(54) **WATCH CASE**

(71) Applicant: **Breitling SA**, Grenchen (CH)

(72) Inventor: **Francesco Torres**, Zürich (CH)

(\*\*) Term: **15 Years**

(21) Appl. No.: **35/507,708**

(22) Filed: **Mar. 19, 2019**

(80) **Hague Agreement Data**

Int. Filing Date: **Mar. 19, 2019**

Int. Reg. No.: **DM/203747**

Int. Reg. Date: **Mar. 19, 2019**

Int. Reg. Pub. Date: **Nov. 8, 2019**

(51) **LOC (12) Cl.** ..... **10-07**

(52) **U.S. Cl.**

USPC ..... **D10/128**

(58) **Field of Classification Search**

USPC ..... D10/128, 30, 32, 38, 39, 122-123  
See application file for complete search history.

(56) **References Cited**

U.S. PATENT DOCUMENTS

D353,780 S \* 12/1994 Schneider ..... D10/32  
D445,343 S \* 7/2001 Schneider ..... D10/30  
D836,008 S \* 12/2018 Schoepfer ..... D10/39

\* cited by examiner

*Primary Examiner* — George D. Kirschbaum

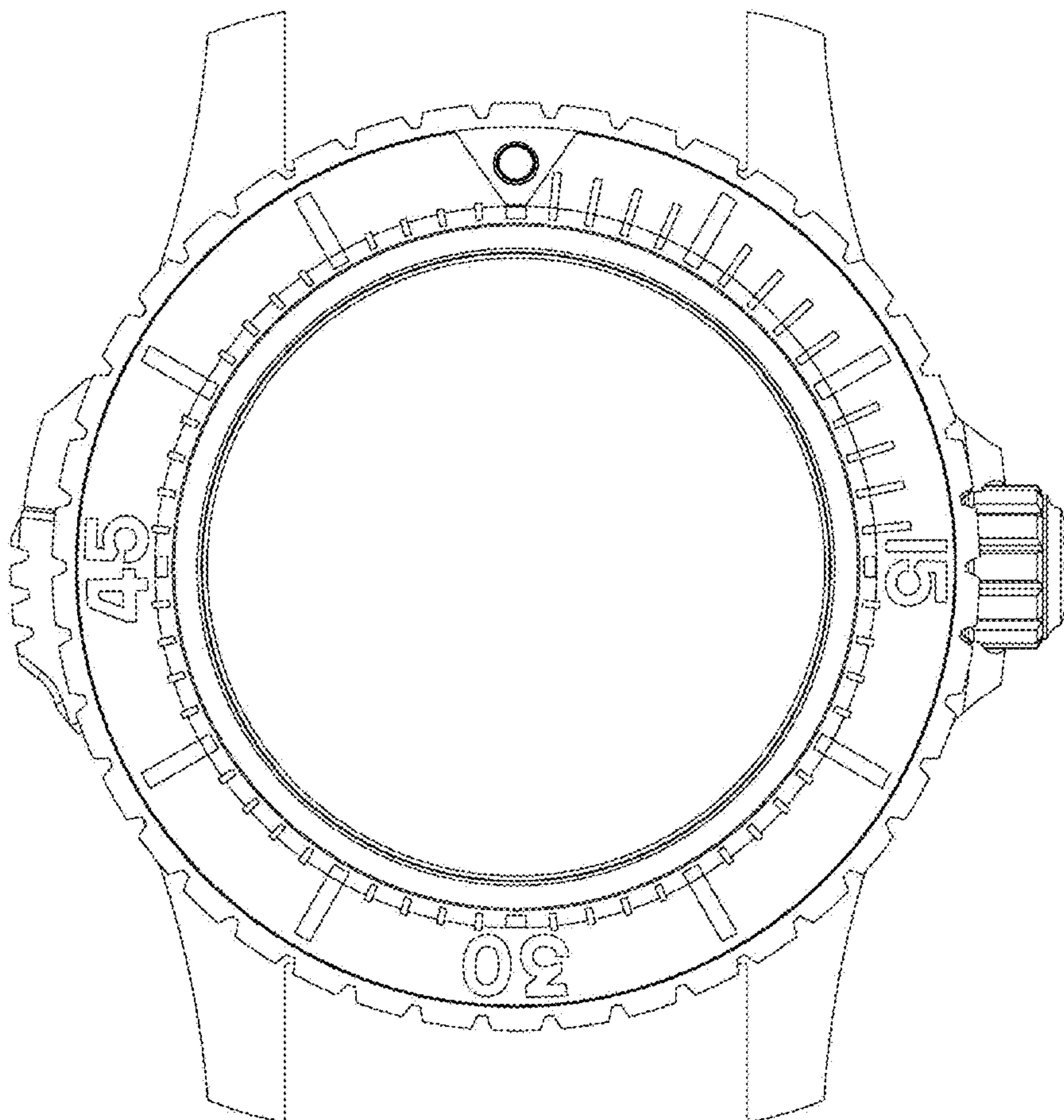
(57) **CLAIM**

The ornamental design for a watch case, as shown and described.

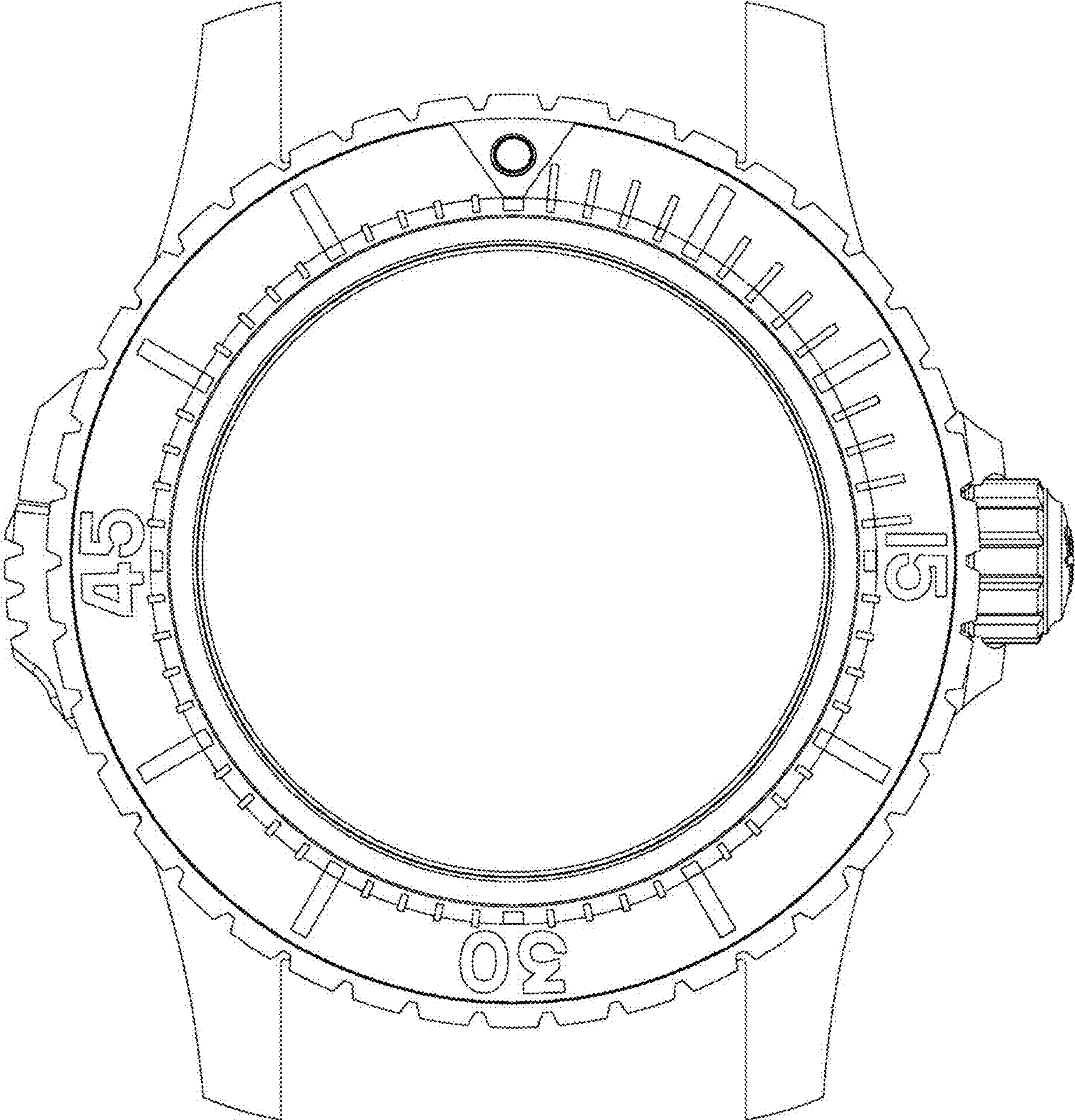
**DESCRIPTION**

- 1. Watch case
- 1.1 is a front view.
- 1.2 is a bottom view.
- 1.3 is a top view.
- 1.4 is a right side view.
- 1.5 is a left side view.
- 1.6 is a back view.
- 1.7 is a perspective view.
- 1.8 is a second perspective view.

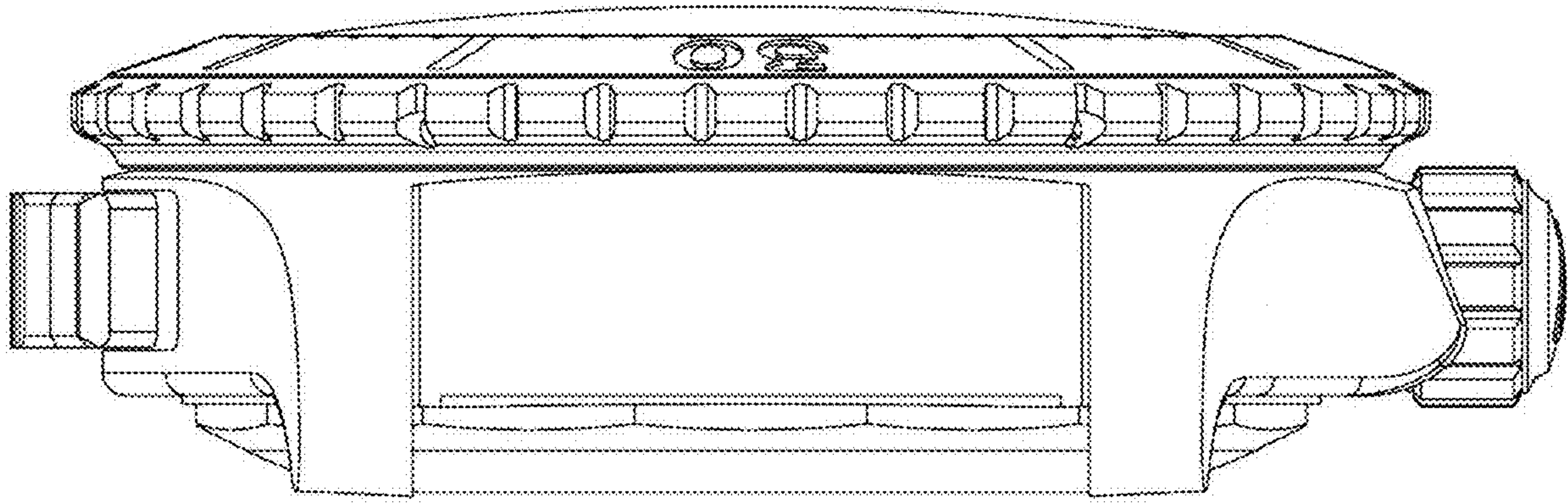
**1 Claim, 8 Drawing Sheets**



1.1

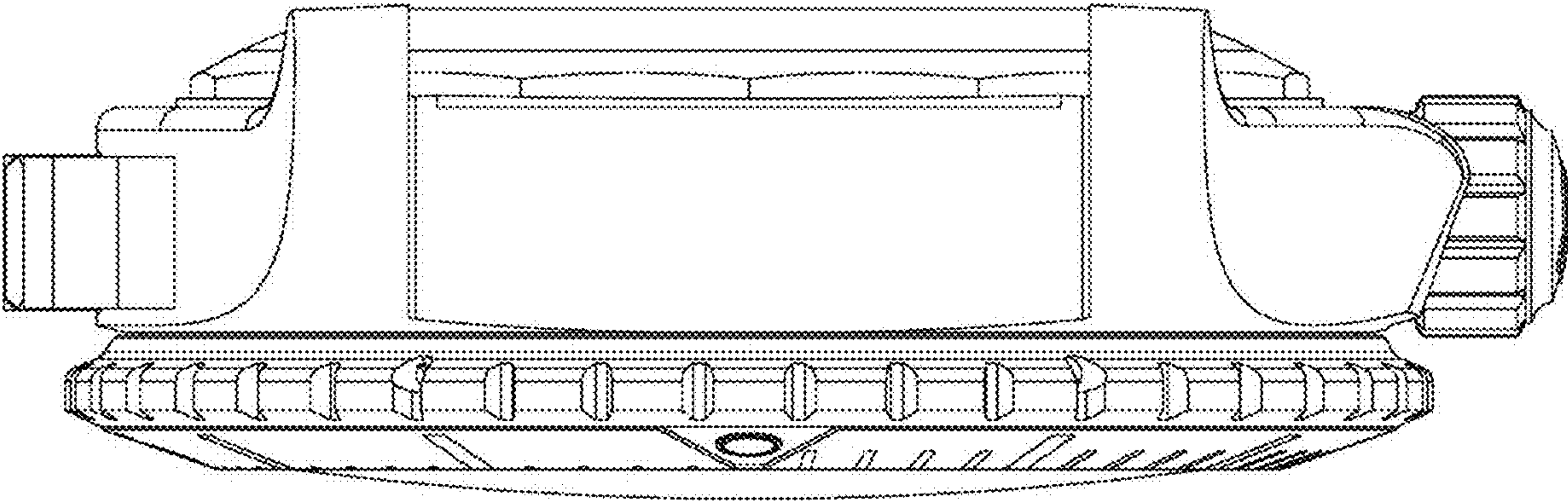


1.2

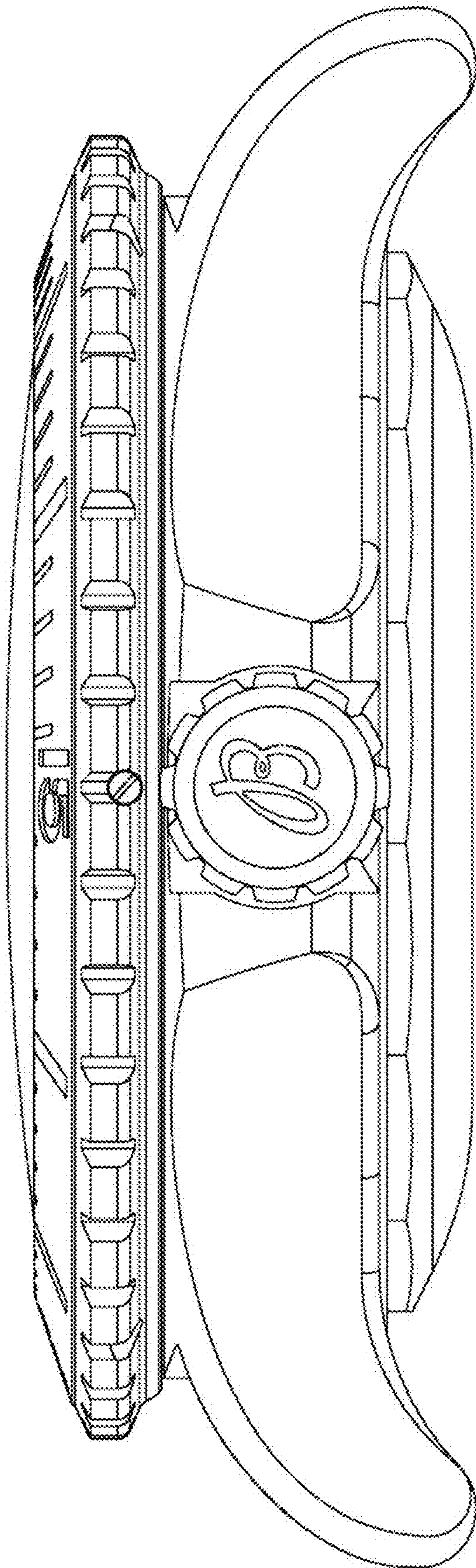




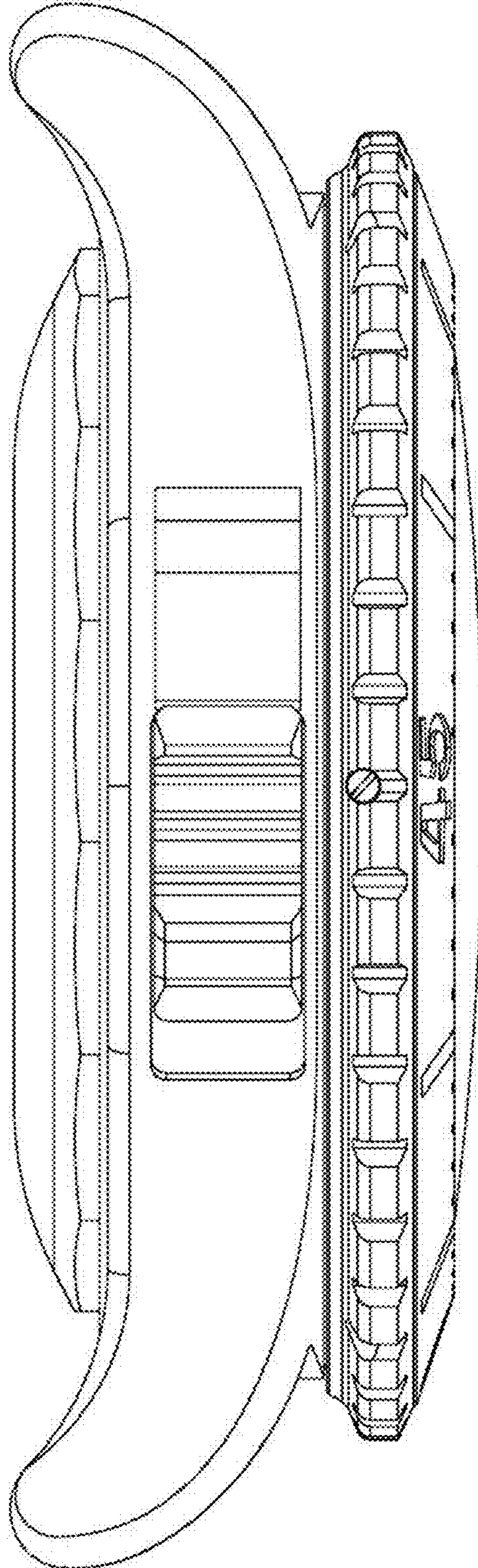
1.3



1.4

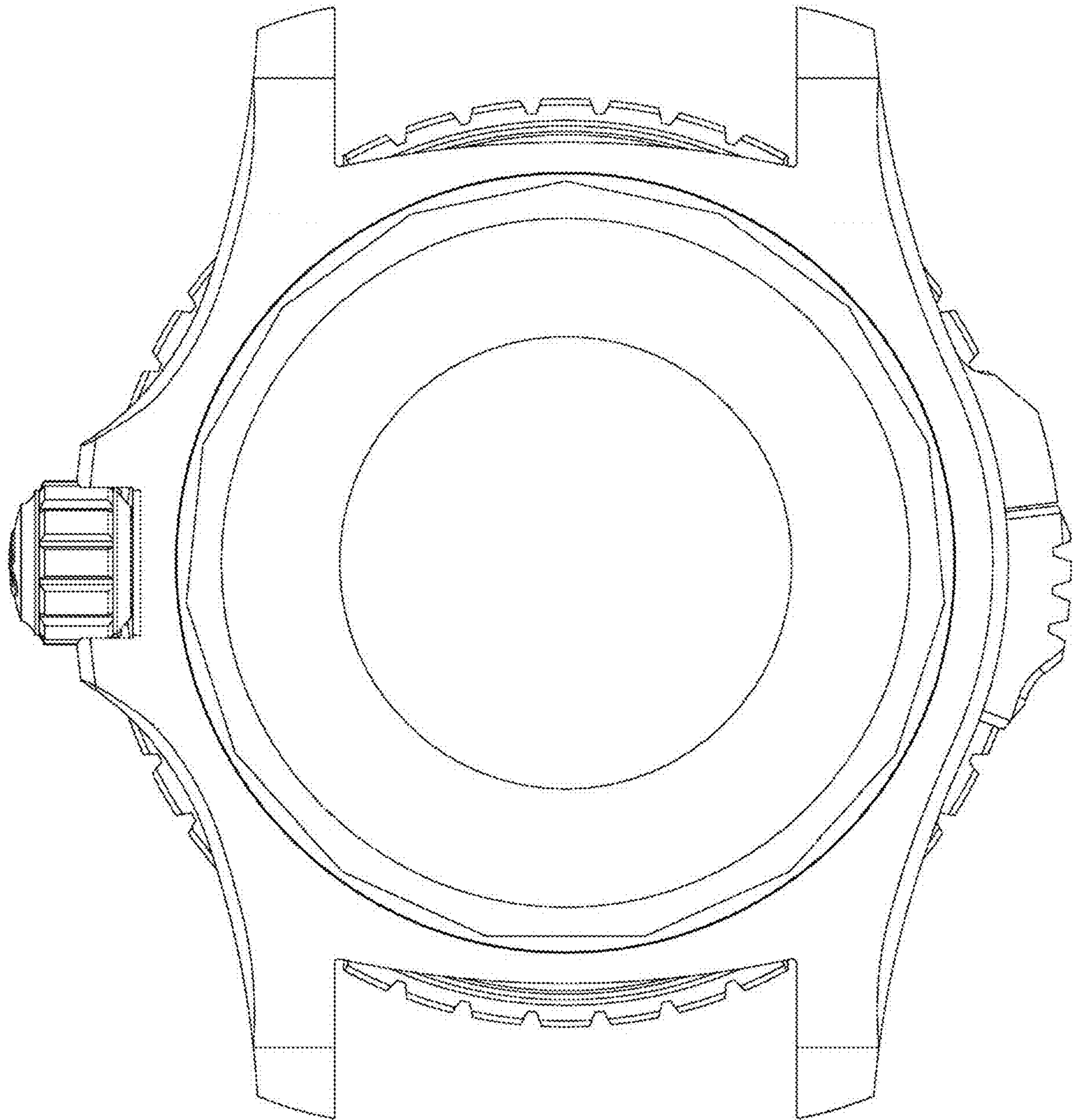


1.5

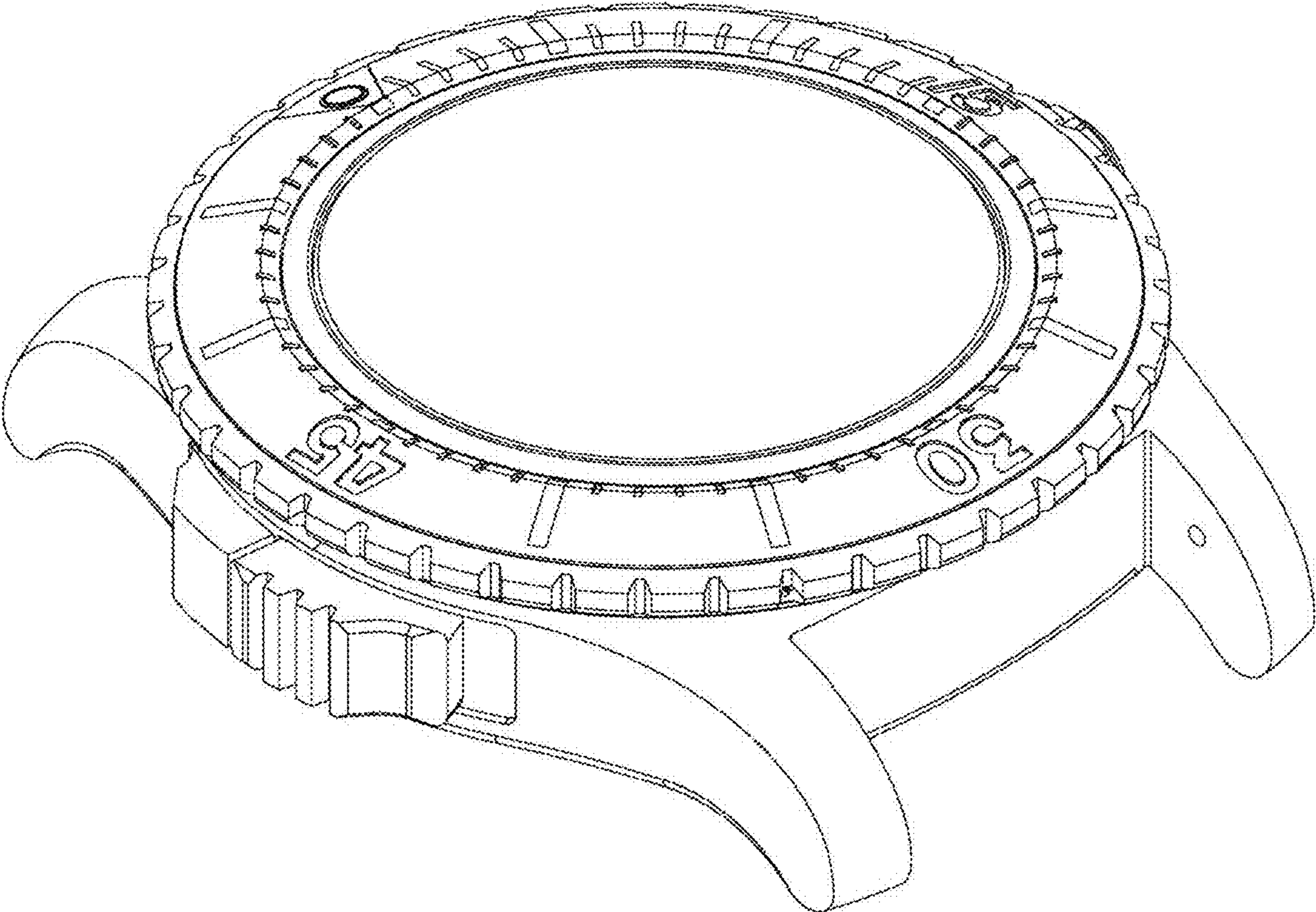




1.6



1.7





1.8

