



US00D902764S

(12) **United States Design Patent**
Kang

(10) **Patent No.:** **US D902,764 S**

(45) **Date of Patent:** **** Nov. 24, 2020**

(54) **SOLAR-SENSITIVE WARNING LAMP**

(71) Applicant: **SHENZHEN RUOCIN TECHNOLOGY CO., LTD.**, Shenzhen (CN)

(72) Inventor: **Xinlang Kang**, Shenzhen (CN)

(**) Term: **15 Years**

(21) Appl. No.: **29/736,281**

(22) Filed: **May 29, 2020**

(51) **LOC (12) Cl.** **10-05**

(52) **U.S. Cl.**
USPC **D10/114.1**

(58) **Field of Classification Search**
USPC D26/67
CPC A63C 19/08
See application file for complete search history.

(56) **References Cited**

U.S. PATENT DOCUMENTS

- 3,634,961 A * 1/1972 Nawalaniec A63C 19/08
40/598
- D322,414 S * 12/1991 Scratcher D10/113.1
- D400,459 S * 11/1998 Menke D10/114.1
- D470,787 S * 2/2003 Kim D10/113.1
- D520,394 S * 5/2006 Li D10/113.1
- D530,036 S 10/2006 Strycker
- D565,447 S * 4/2008 Horng D10/113.1
- D569,755 S * 5/2008 Humble D10/113.1

- D606,237 S 12/2009 Schmitt et al.
- D618,123 S * 6/2010 Luscombe D10/114.1
- D705,972 S * 5/2014 Oostdyk D26/67
- D726,948 S 4/2015 Maxik et al.
- D778,752 S * 2/2017 Selevan D10/114.1

* cited by examiner

Primary Examiner — George D. Kirschbaum

(74) *Attorney, Agent, or Firm* — HYIP

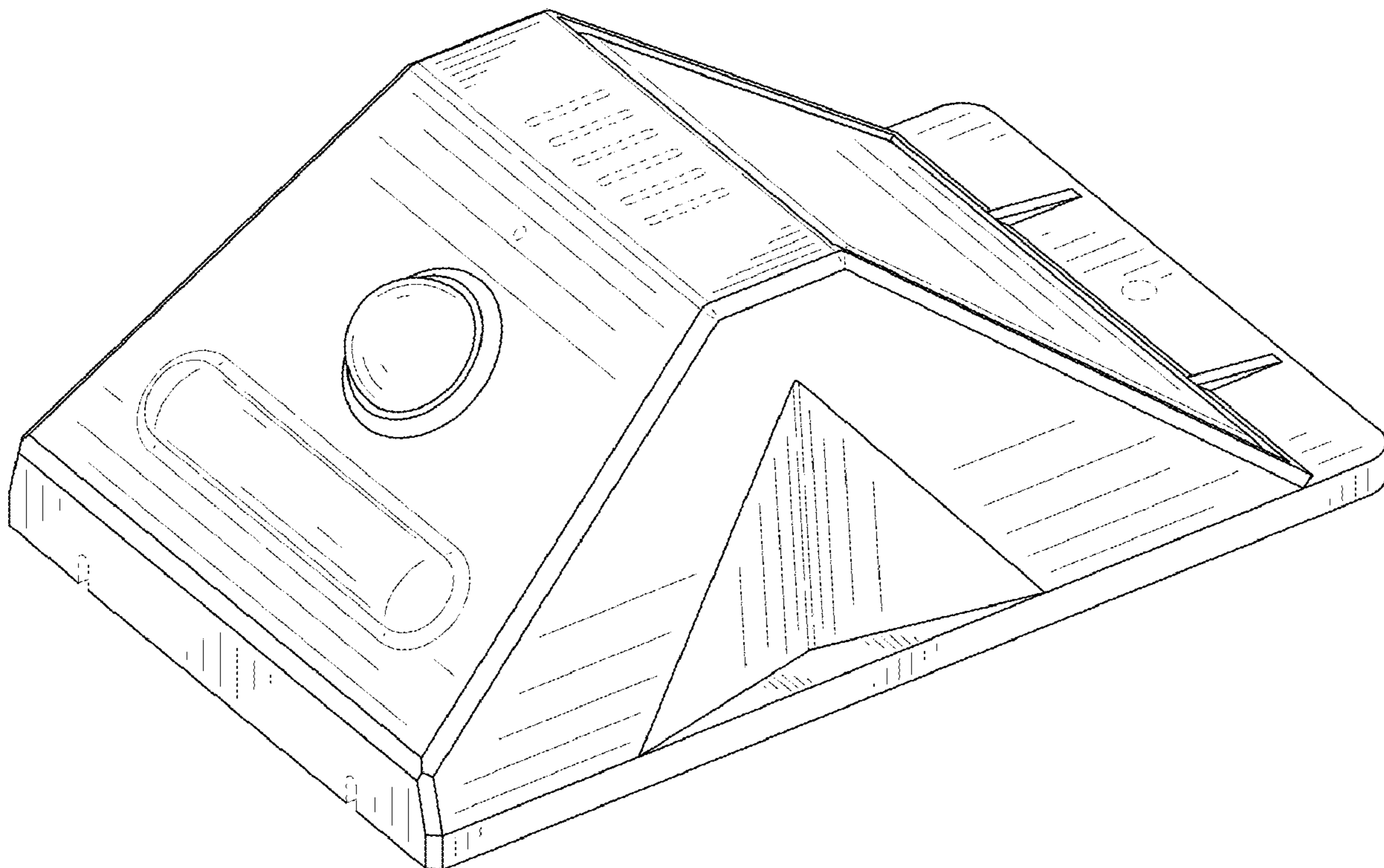
(57) **CLAIM**

The ornamental design for a solar-sensitive warning lamp, as shown and described.

DESCRIPTION

FIG. 1 is a first perspective view of a solar-sensitive warning lamp showing my new design;
 FIG. 2 is a second perspective view thereof;
 FIG. 3 is a front view thereof;
 FIG. 4 is a back view thereof;
 FIG. 5 is a left side view thereof;
 FIG. 6 is a right side view thereof;
 FIG. 7 is a top view thereof; and,
 FIG. 8 is a bottom view thereof.
 The broken lines shown in the drawings depict portions of the solar-sensitive warning lamp in which the design is embodied that form no part of the claimed design.

1 Claim, 8 Drawing Sheets



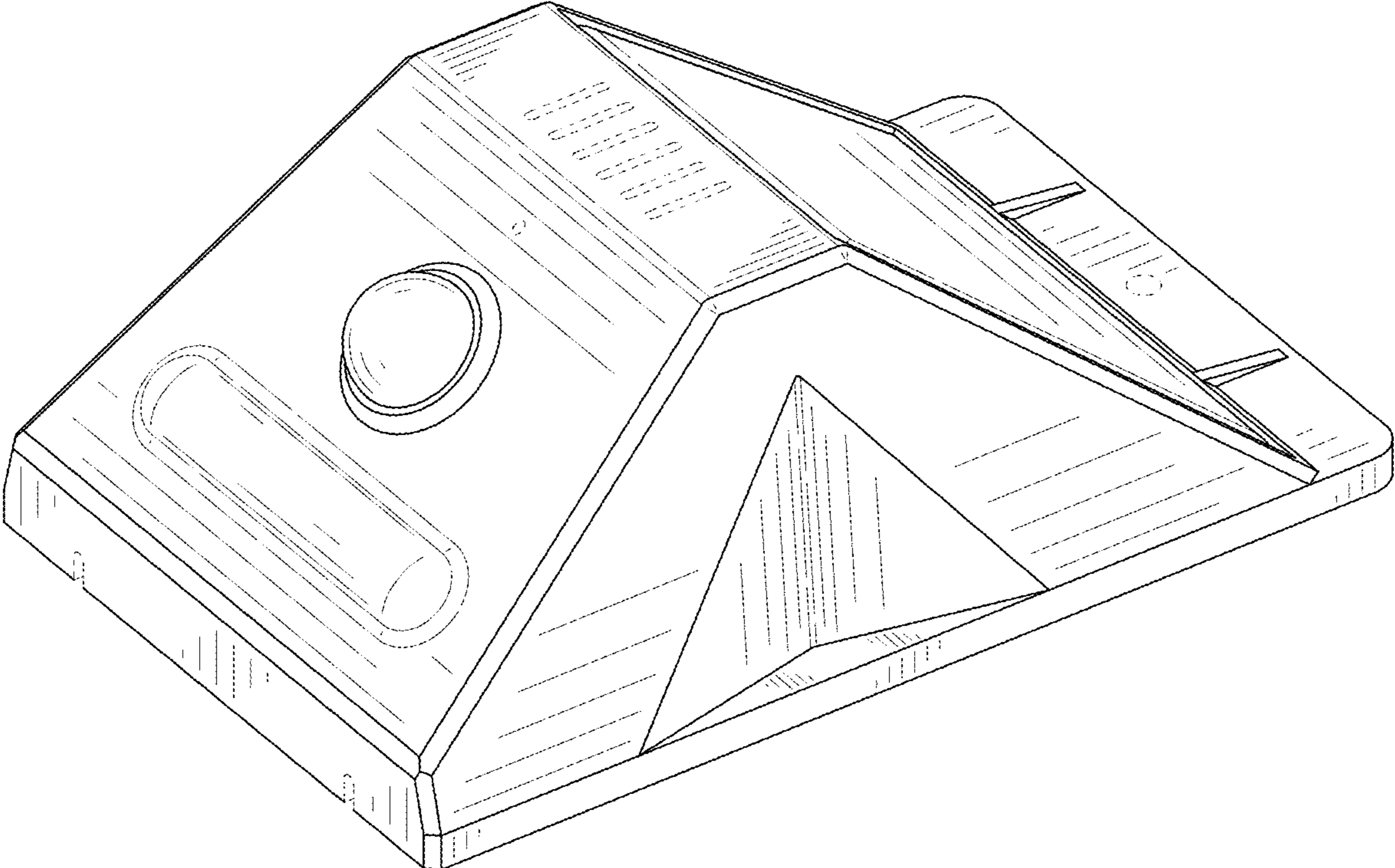


FIG. 1

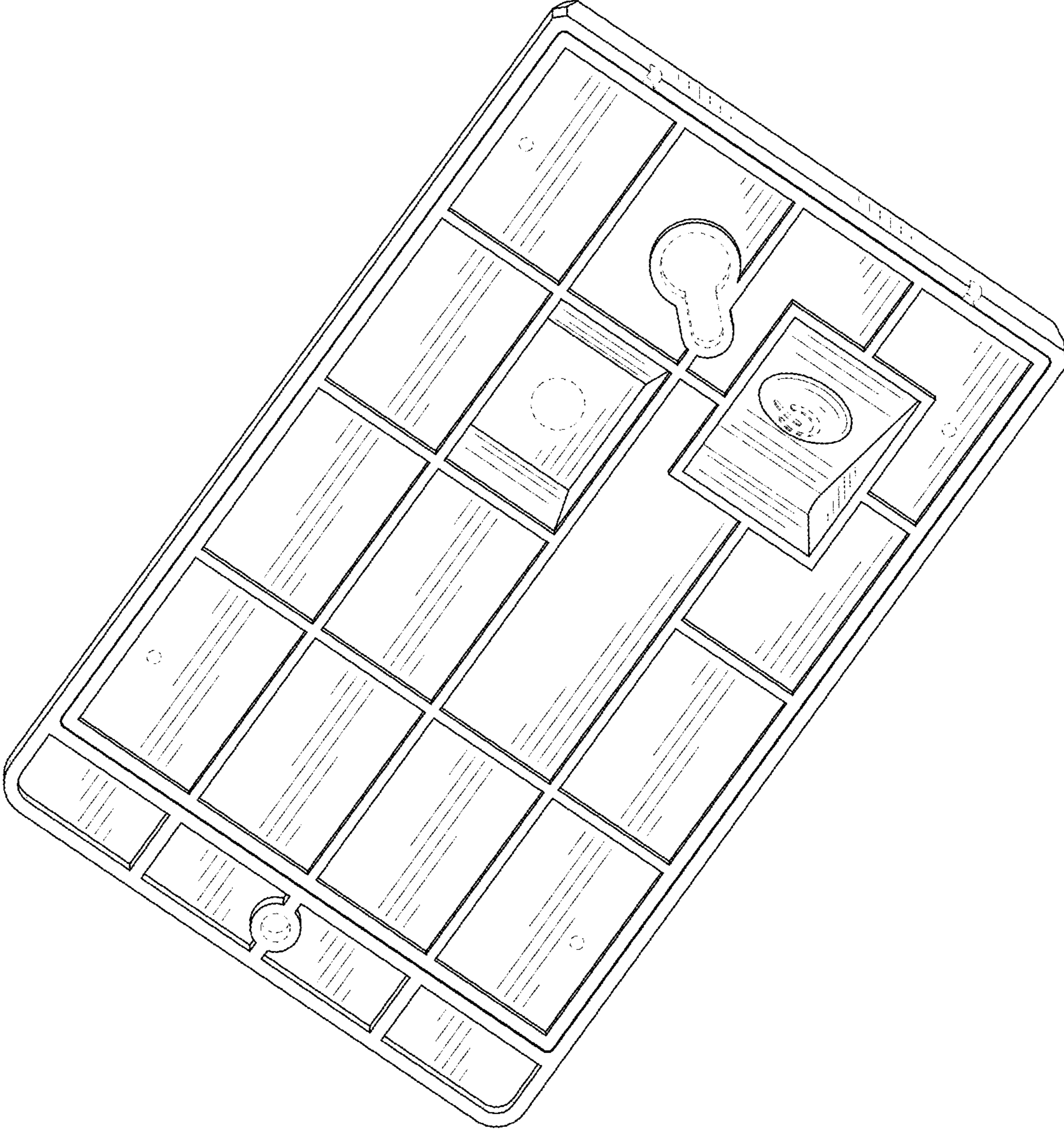


FIG. 2

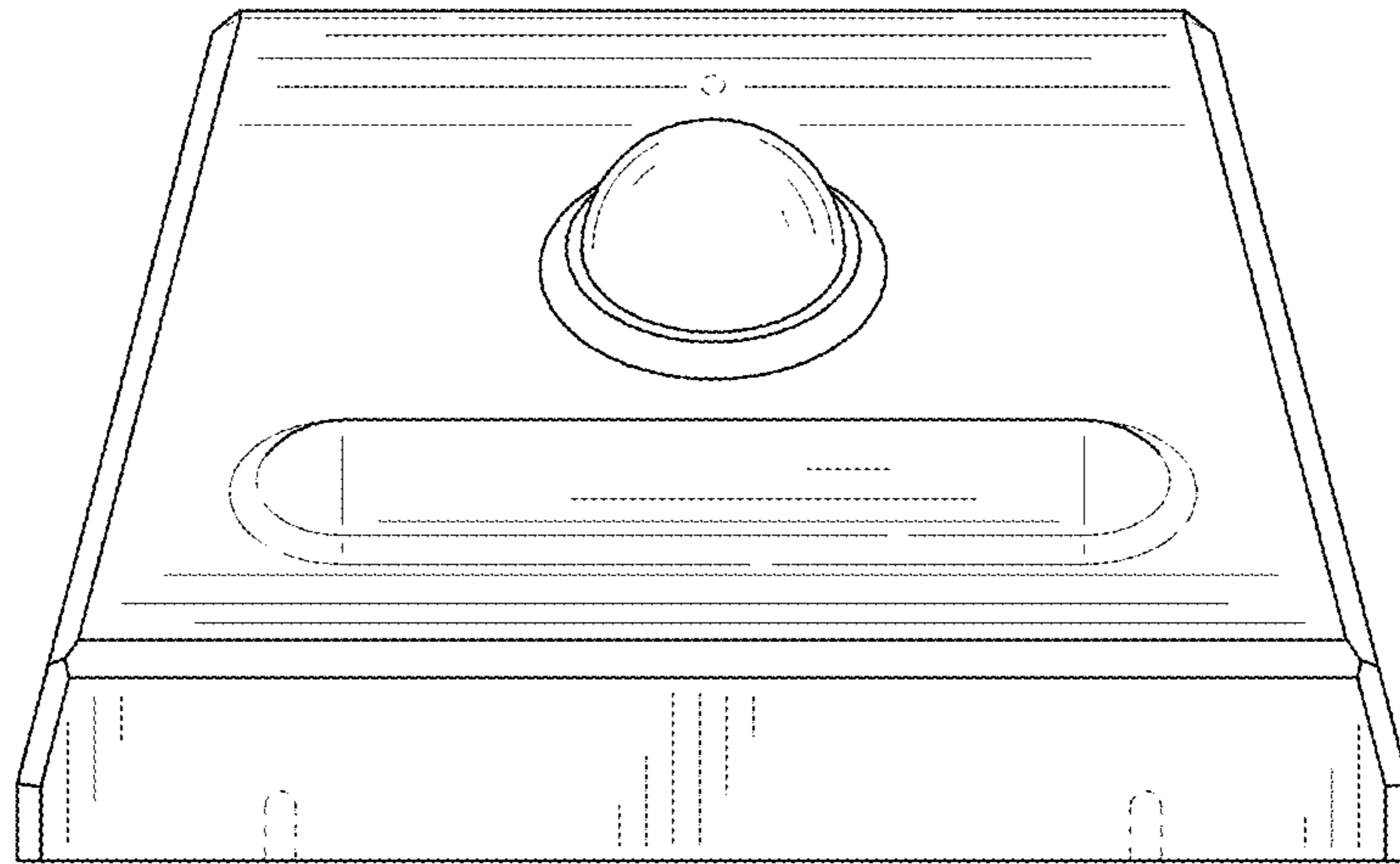


FIG. 3

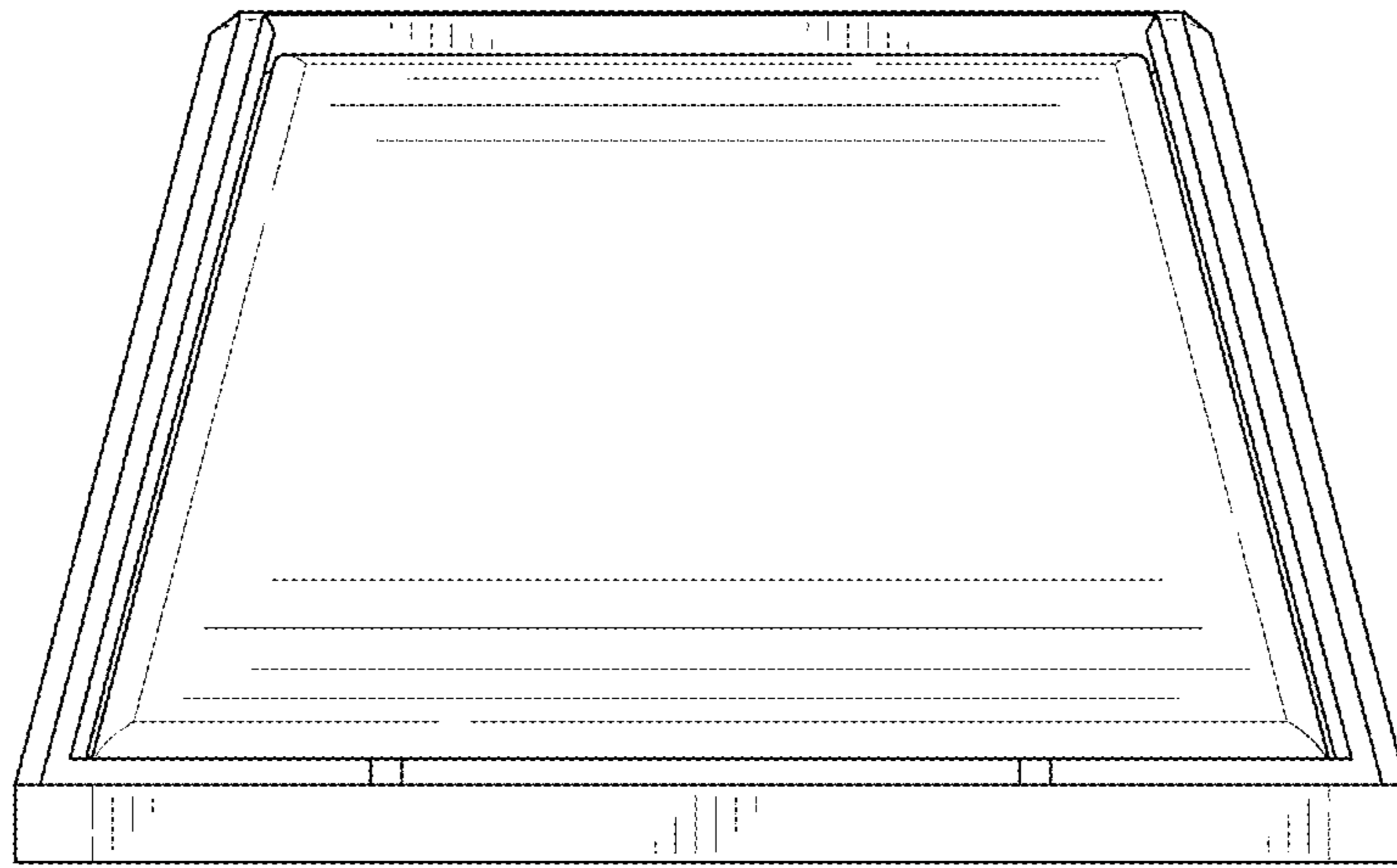


FIG. 4

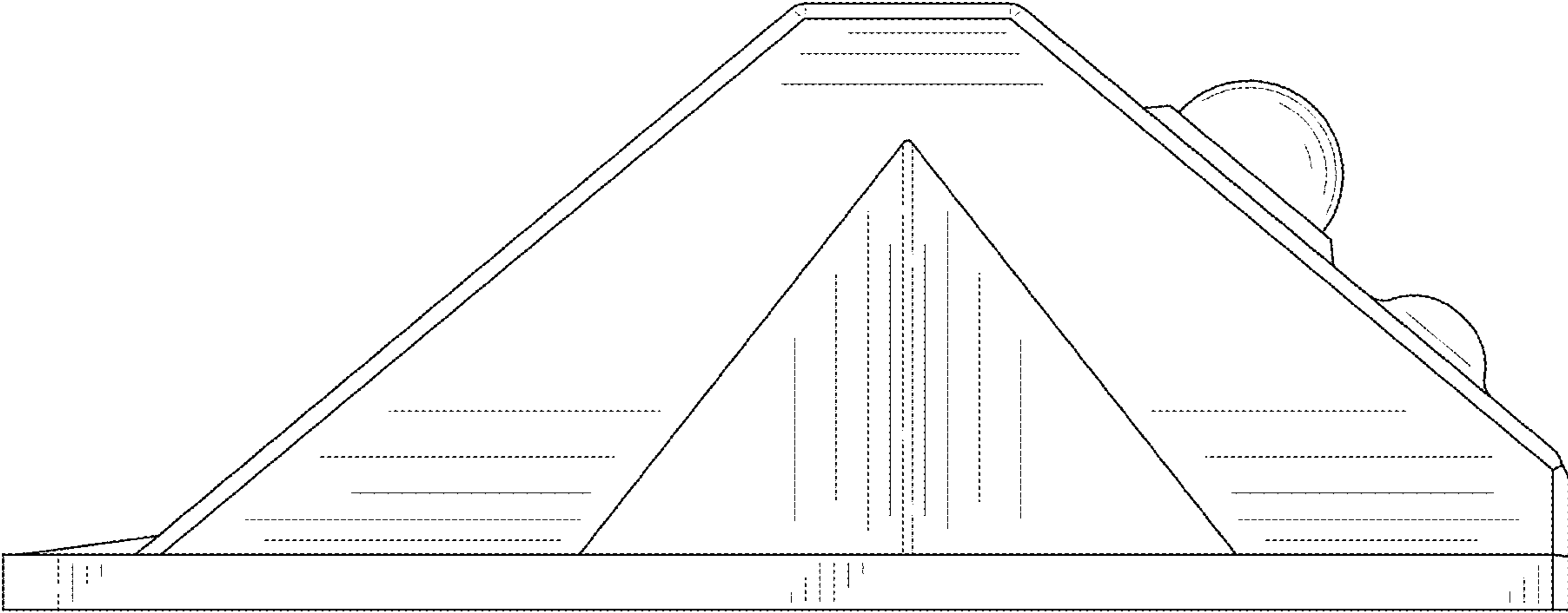


FIG. 5

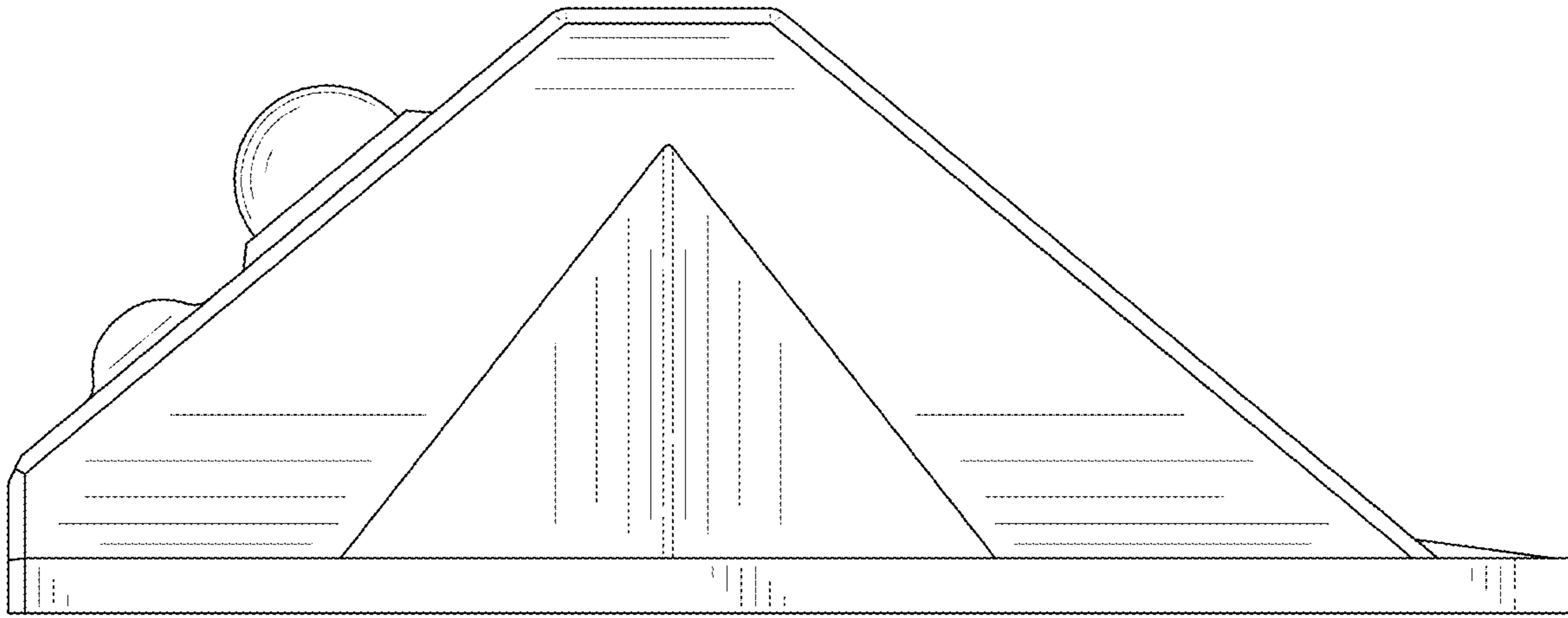


FIG. 6

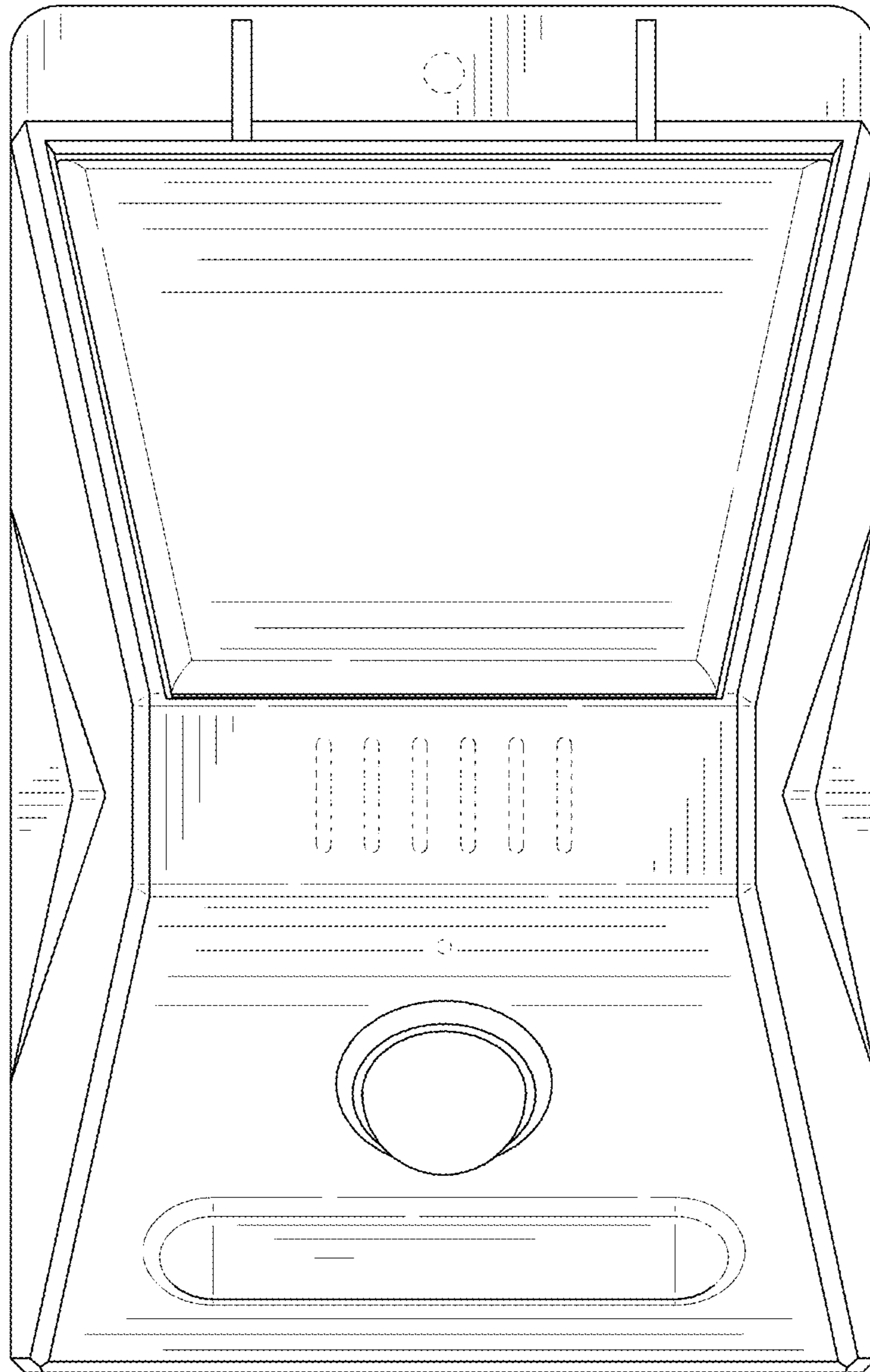


FIG. 7

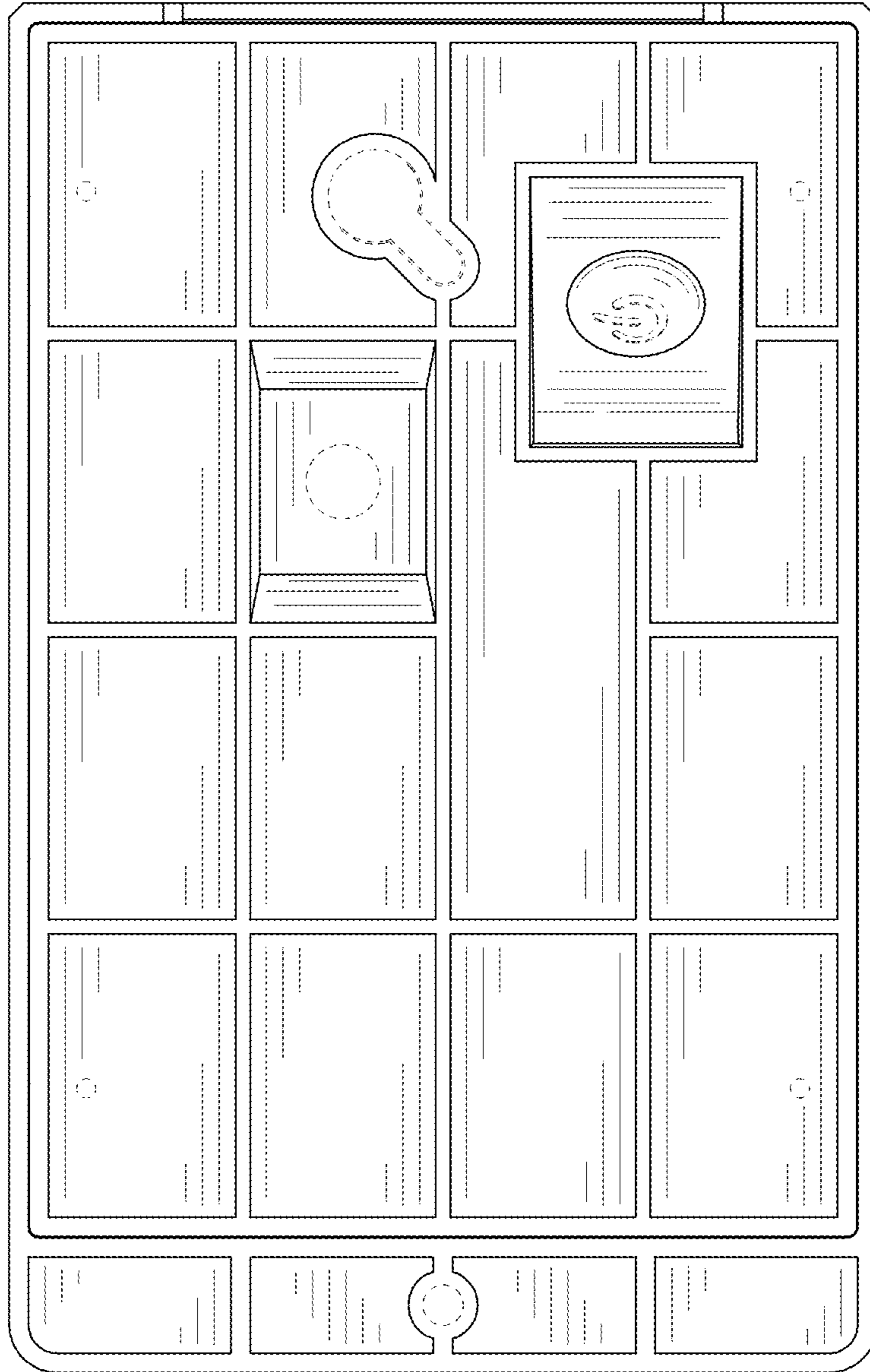


FIG. 8