



US00D902760S

(12) **United States Design Patent**
Patterson et al.

(10) **Patent No.:** **US D902,760 S**

(45) **Date of Patent:** **** Nov. 24, 2020**

(54) **SECURITY TAG WITH ELECTRONIC DISPLAY**

12/12; H04W 40/244; H04W 48/12;
H04W 48/16; H04W 4/00; H04W 4/023;
H04W 4/026;

(71) Applicants: **Hubert A. Patterson**, Boca Raton, FL (US); **Alexis Brooke Ehlich**, Boca Raton, FL (US); **Christian Joseph Souder**, Sanford, NC (US); **Lauren Richard**, Plymouth, MA (US); **Mohammad Mohiuddin**, Boynton Beach, FL (US)

(Continued)

(56) **References Cited**

U.S. PATENT DOCUMENTS

D343,135 S * 1/1994 Witzky D10/106.91
D343,368 S * 1/1994 Witzky D10/106.91

(Continued)

(72) Inventors: **Hubert A. Patterson**, Boca Raton, FL (US); **Alexis Brooke Ehlich**, Boca Raton, FL (US); **Christian Joseph Souder**, Sanford, NC (US); **Lauren Richard**, Plymouth, MA (US); **Mohammad Mohiuddin**, Boynton Beach, FL (US)

OTHER PUBLICATIONS

“Sensors_Sensormatic” available May 25, 2018, [online], [site visited May 25, 2019]. Retrieved from Internet, <URL:https://www.sensormatic.com/loss-prevention/eas/sensors> (Year: 2018).*

(Continued)

(73) Assignee: **SENSORMATIC ELECTRONICS, LLC**, Boca Raton, FL (US)

Primary Examiner — Michael C Stout

Assistant Examiner — Katrina N Gonzalez

(**) Term: **15 Years**

(74) *Attorney, Agent, or Firm* — Arent Fox LLP

(21) Appl. No.: **29/629,991**

(57) **CLAIM**

The ornamental design for a security tag with electronic display, as shown and described.

(22) Filed: **Dec. 18, 2017**

(51) **LOC (12) Cl.** **10-05**

(52) **U.S. Cl.**
USPC **D10/106.9**; D10/106.91

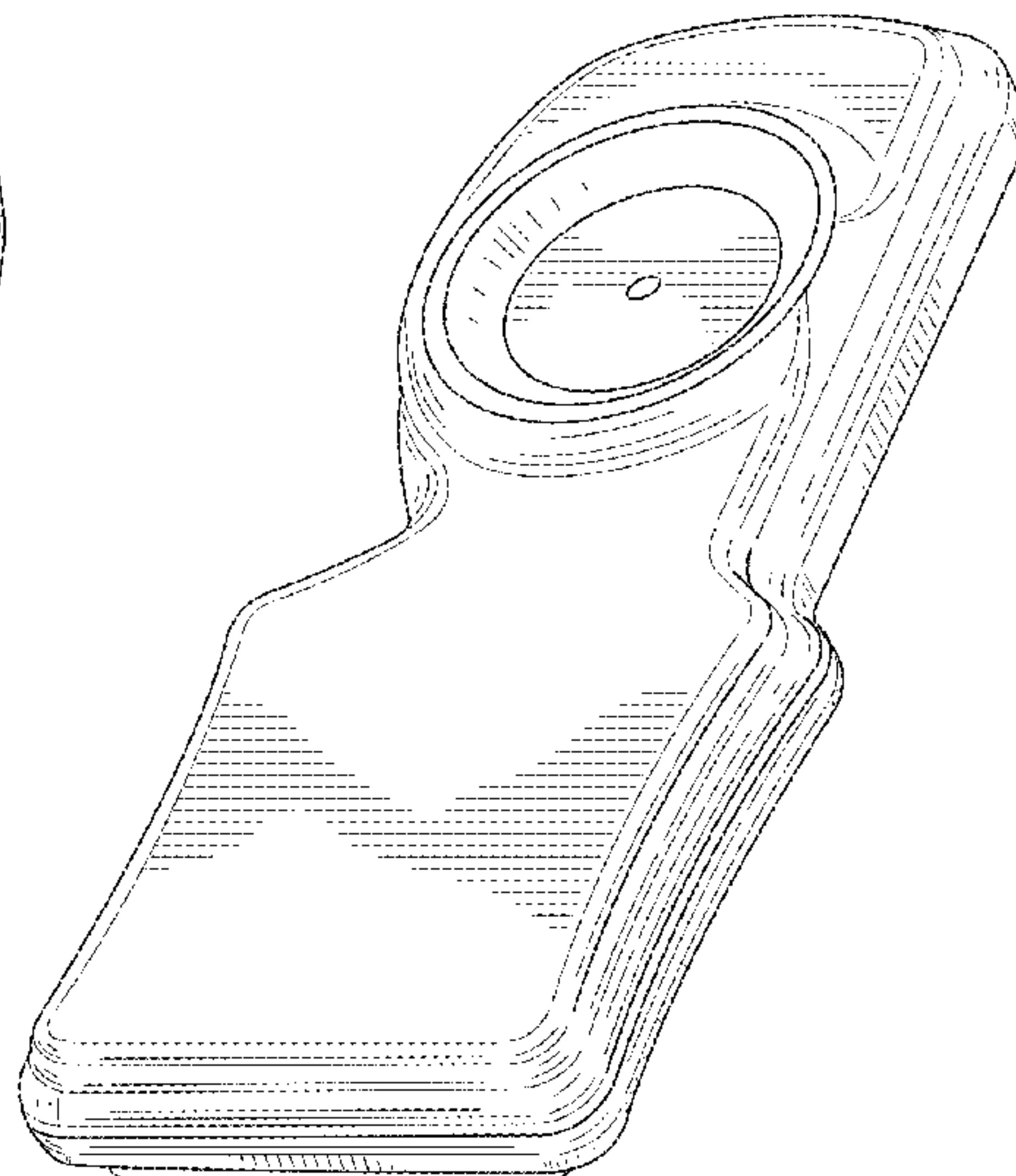
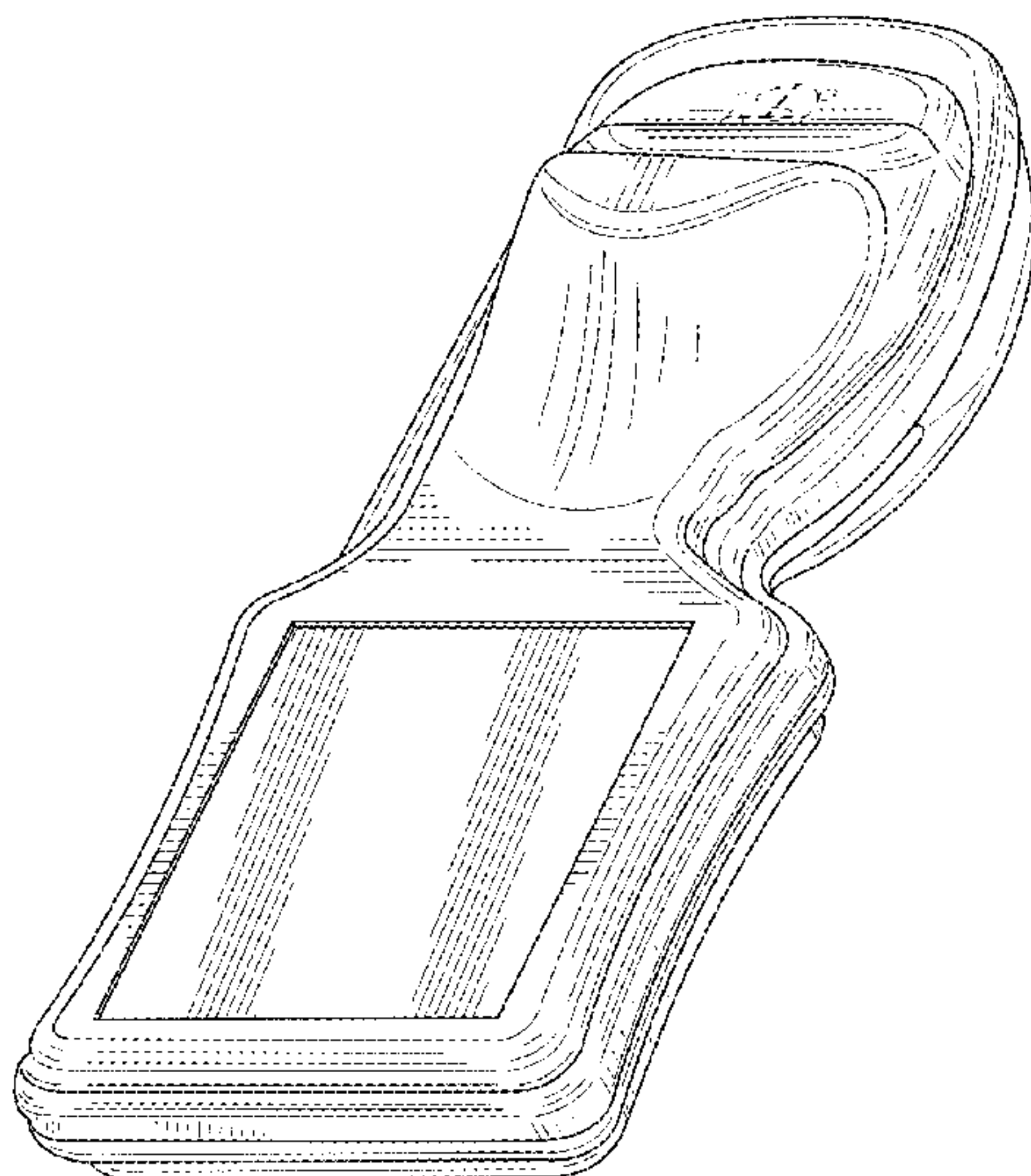
(58) **Field of Classification Search**
USPC D10/104.1, 106.9, 106.91, 106.93, 109.1; 70/57.1; D14/140, 142, 240, 217, 218, D14/155, 356, 357, 358, 359, 383, 385, D14/432, 435, 435.1, 447, 553, 480.1, D14/480.3, 480.5, 480.7, 483, 484.1; D3/208; D13/168; D8/347
CPC H04W 4/80; H04W 4/029; H04W 12/08; H04W 4/025; H04W 12/0023; H04W 12/02; H04W 12/04; H04W 12/06; H04W 4/046; H04W 4/40; H04W 52/0229; H04W 88/02; H04W 12/00407; H04W

DESCRIPTION

FIG. 1 is a front, left perspective view of a security tag with electronic display showing our new design; FIG. 2 is a front, bottom, left perspective view thereof; FIG. 3 is a rear, bottom, right perspective view thereof; FIG. 4 is a top plan view thereof; FIG. 5 is a bottom plan view thereof; FIG. 6 is a right side elevation view thereof; FIG. 7 is a left side elevation view thereof; FIG. 8 is a front elevation view thereof; and, FIG. 9 is a rear elevation view thereof.

The broken lines illustrate portions of the security tag with electronic display that form no part of the claimed design.

1 Claim, 5 Drawing Sheets



(58) **Field of Classification Search**

CPC H04W 4/027; H04W 4/04; H04W 4/06;
 H04W 4/18; H04W 4/21; H04W 4/24;
 H04W 4/30; H04W 4/33; H04W 4/35;
 H04W 4/44; H04W 4/70; H04W 64/00;
 H04W 64/006; H04W 76/10; H04W
 76/15; H04W 76/34; H04W 84/042;
 H04W 84/047; H04W 84/12; H04W
 84/18; H04W 88/06; H04W 8/26; H04W
 92/20; H03D 9/02

See application file for complete search history.

(56) **References Cited**

U.S. PATENT DOCUMENTS

D353,115 S * 12/1994 Garner D10/106.91
 D392,574 S * 3/1998 Spagna D10/106.91
 D466,037 S * 11/2002 Huehner D10/106.9
 D471,121 S * 3/2003 Perez D10/106.91
 D492,214 S * 6/2004 Sayegh D10/106.91
 D559,720 S * 1/2008 Raymond D10/106.91
 D601,446 S * 10/2009 Stoltz D10/106.91

D605,066 S * 12/2009 Raymond D10/106.91
 D625,637 S * 10/2010 Sayegh D10/106.91
 D679,209 S * 4/2013 Reynolds D10/106.91
 D698,273 S * 1/2014 Sayegh D10/106.91
 D714,176 S * 9/2014 Perez D10/106.91
 2013/0340489 A1 * 12/2013 Kozłowski, Jr. E05B 73/0017
 70/57.1

OTHER PUBLICATIONS

“Vitag E18 Security Tag” available May 25, 2018, [online], [site visited May 25, 2019]. Retrieved from Internet, <URL:https://www.vitag.com.au/products/vitag-e18-security-tag/> (Year: 2018).*

“EAS Micro Gator Hard Tag” available May 25, 2018, [online], [site visited May 25, 2019]. Retrieved from Internet <URL:https://www.diytrade.com/china/pd/10984099/EAS_Micro_Gator_Hard_Tag_vG_HT037B.html> (Year: 2018).*

“Amazon Mini System Security Tag” available Apr. 10, 2019, [online], [site visited May 25, 2019]. Retrieved from Internet, <URL:https://www.amazon.com/Ring-Security-Clothing-Detacher-Lockpick/dp/B07QDWX6T2/ref=lp_8615539011_1_7> (Year: 2019).*

* cited by examiner

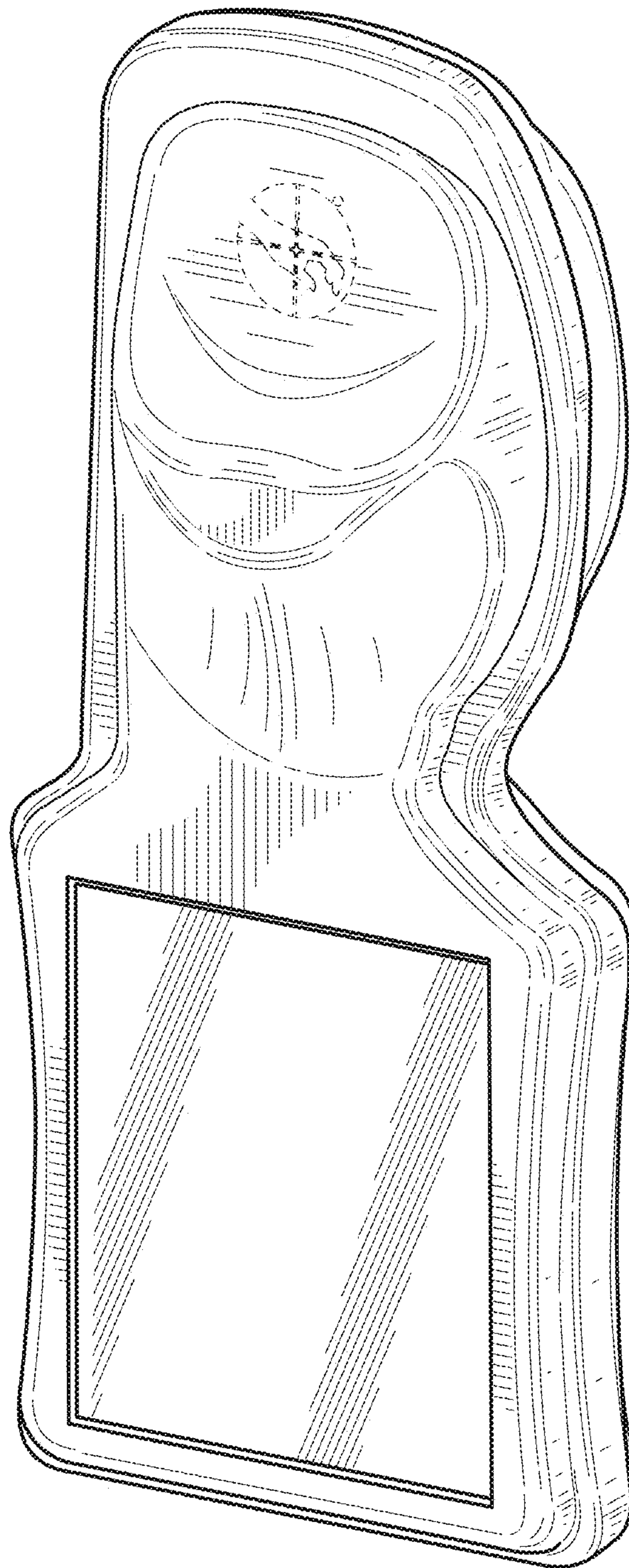


FIG. 1

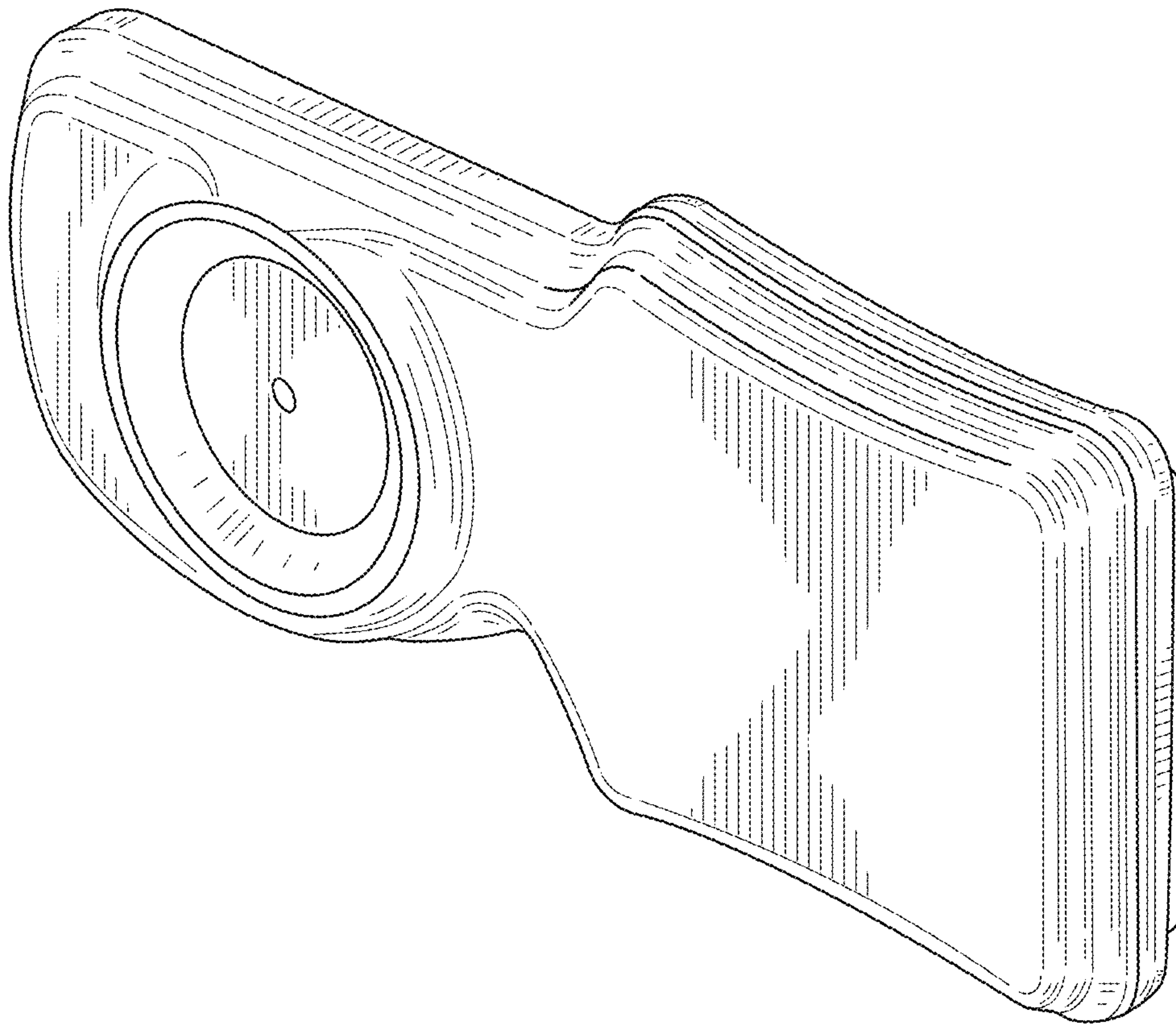


FIG. 3

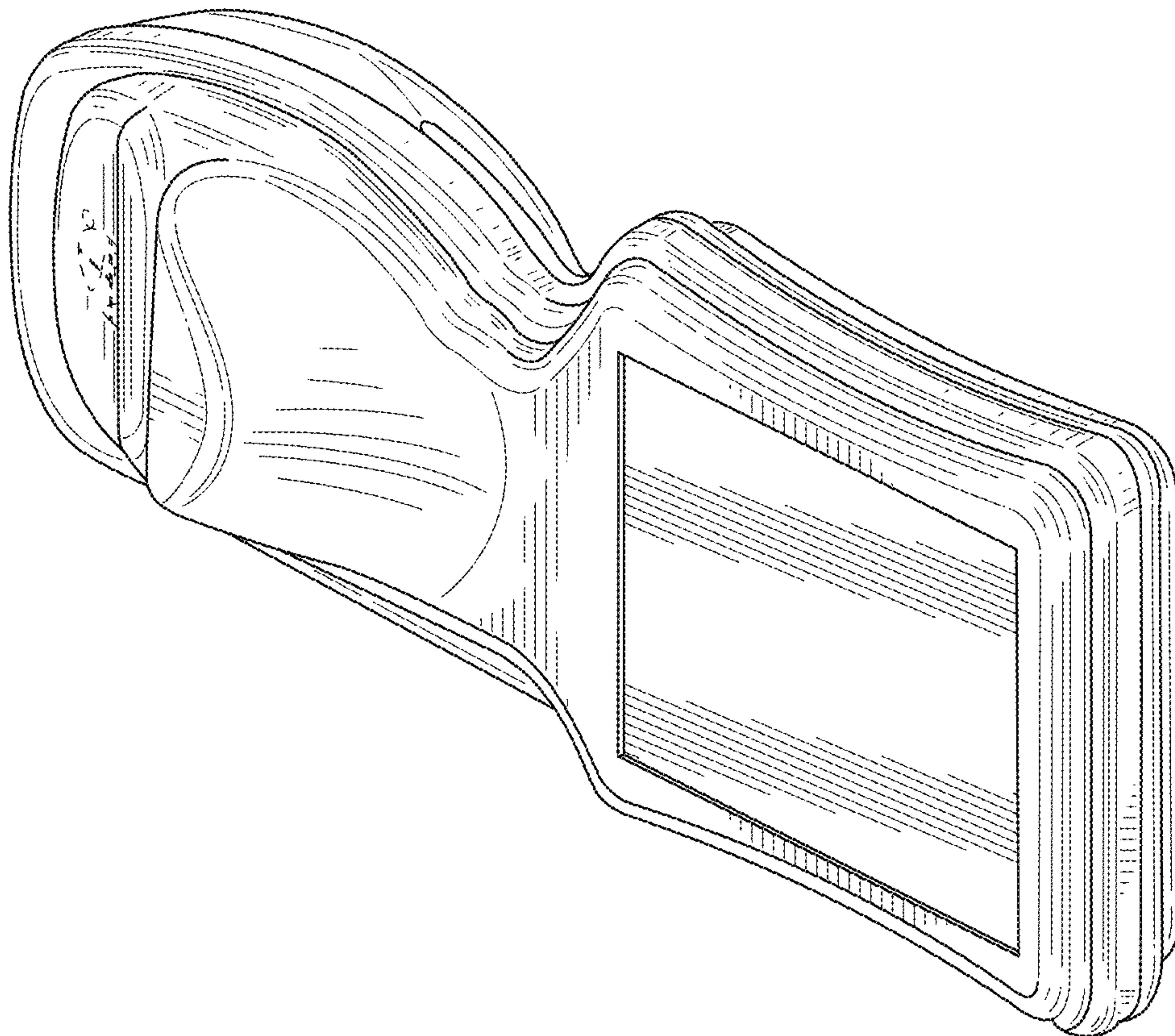


FIG. 2

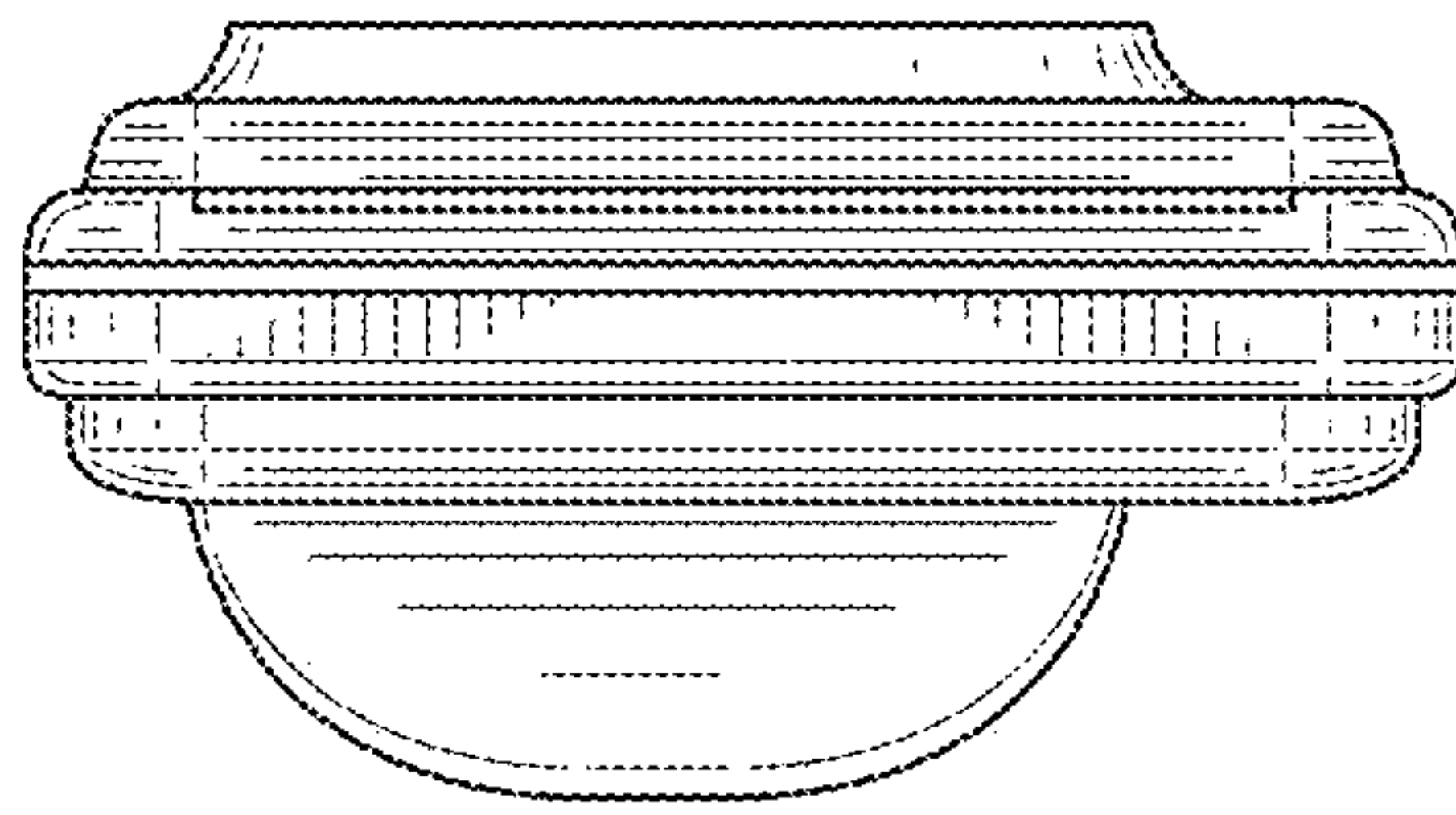


FIG. 4

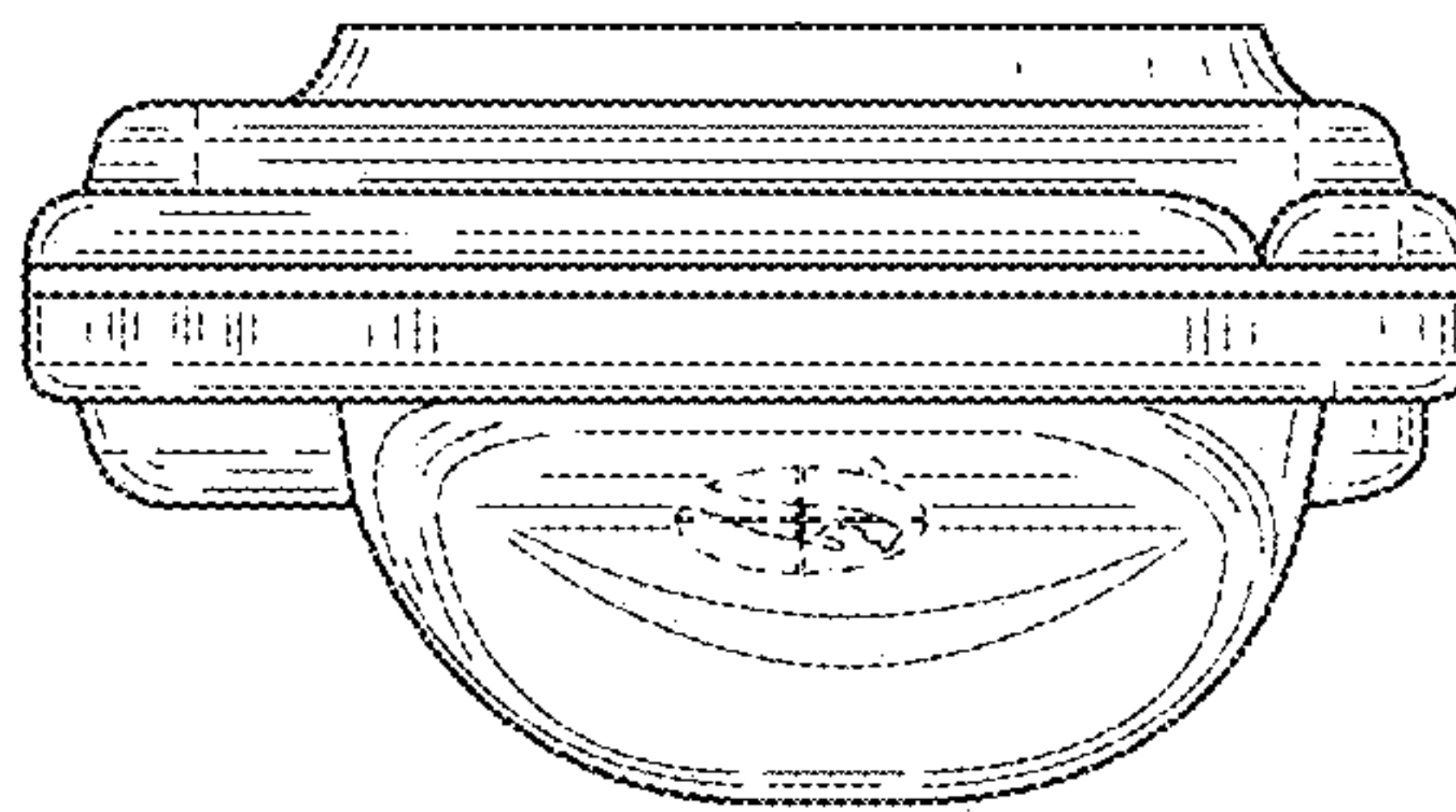


FIG. 5

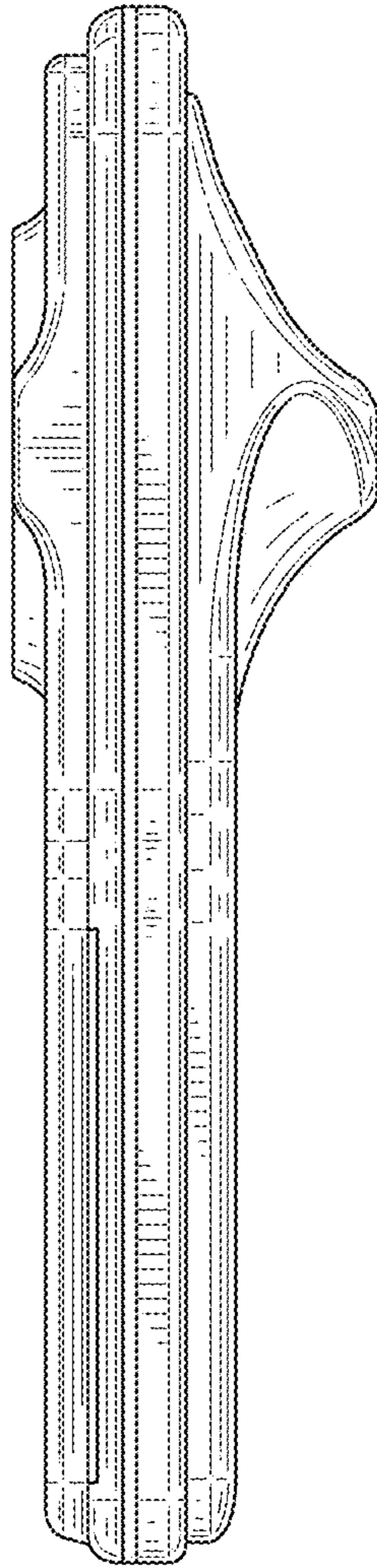


FIG. 6

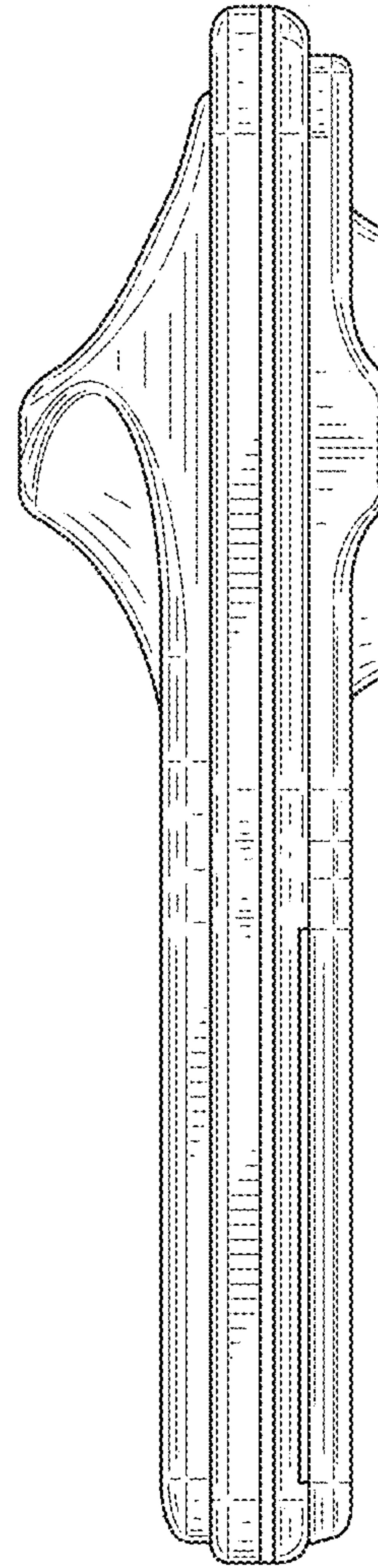


FIG. 7

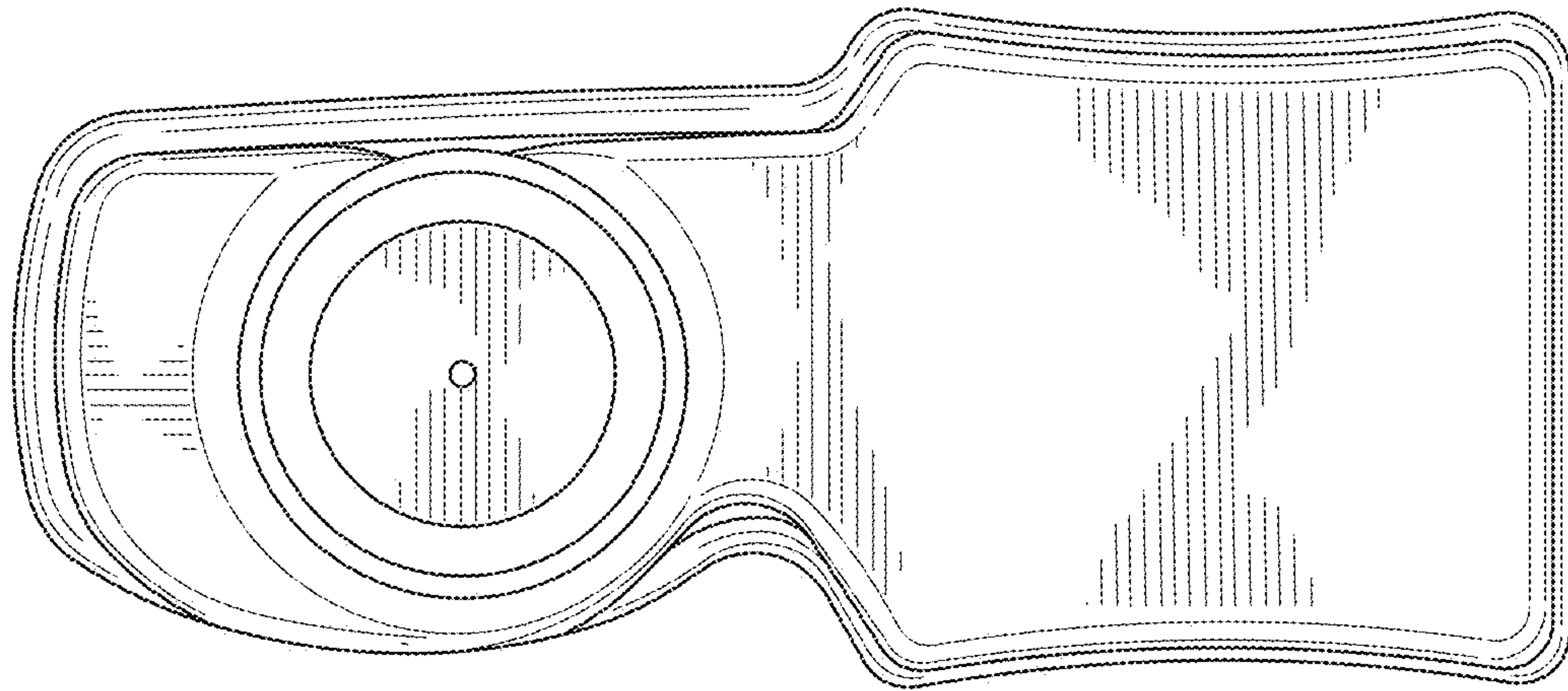


FIG. 9

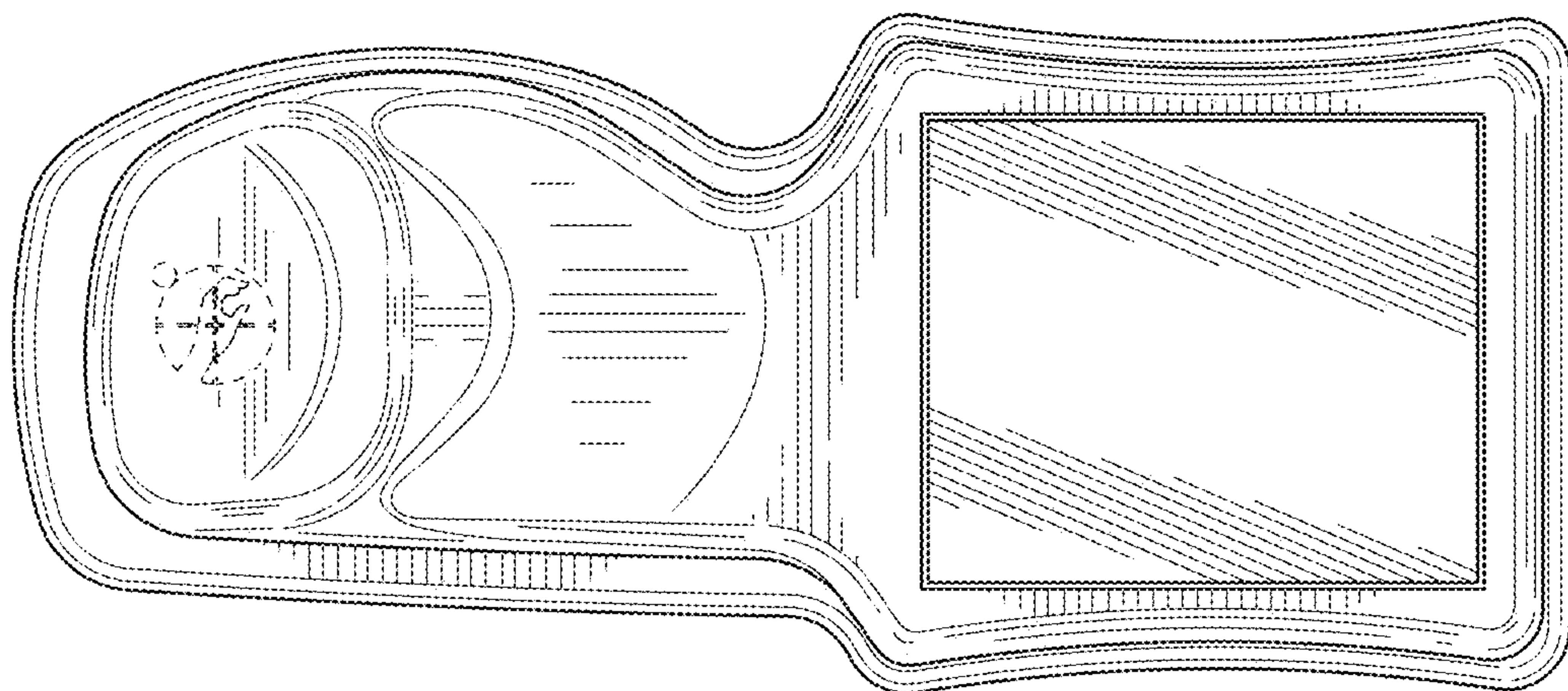


FIG. 8