

US00D902758S

(12) **United States Design Patent** (10) **Patent No.:** **US D902,758 S**  
**Gonsalves** (45) **Date of Patent:** **\*\* Nov. 24, 2020**

- (54) **DEVICE TO AUTOMATE AND SEMIAUTOMATE A FISH TAPE**
- (71) Applicant: **James C. Gonsalves**, Honolulu, HI (US)
- (72) Inventor: **James C. Gonsalves**, Honolulu, HI (US)
- (\*\*) Term: **15 Years**
- (21) Appl. No.: **29/684,124**
- (22) Filed: **Mar. 19, 2019**
- (51) **LOC (12) Cl.** ..... **10-04**
- (52) **U.S. Cl.**  
USPC ..... **D10/74**
- (58) **Field of Classification Search**  
USPC ..... D10/72, 74; D8/358, 51, 14  
CPC ..... B65H 75/40; B65H 2701/376; B65H 2402/412  
See application file for complete search history.

D508,425 S *	8/2005	Wiesemann	.....	D10/74
D574,277 S *	8/2008	Kendzierski	.....	D10/72
8,496,229 B1	7/2013	Mayhall		
8,695,944 B2	4/2014	Riggins		
D755,040 S *	5/2016	Ito	.....	D8/358
D821,599 S *	6/2018	Greenhouse	.....	D24/212

**FOREIGN PATENT DOCUMENTS**

WO WO 2006/122129 A1 11/2006  
\* cited by examiner

*Primary Examiner* — Philip S Hyder  
(74) *Attorney, Agent, or Firm* — Antonio Papageorgiou, Esq.; Lombard & Geliebter LLP

(57) **CLAIM**

The ornamental design for a device to automate and semi-automate a fish tape, as shown and described.

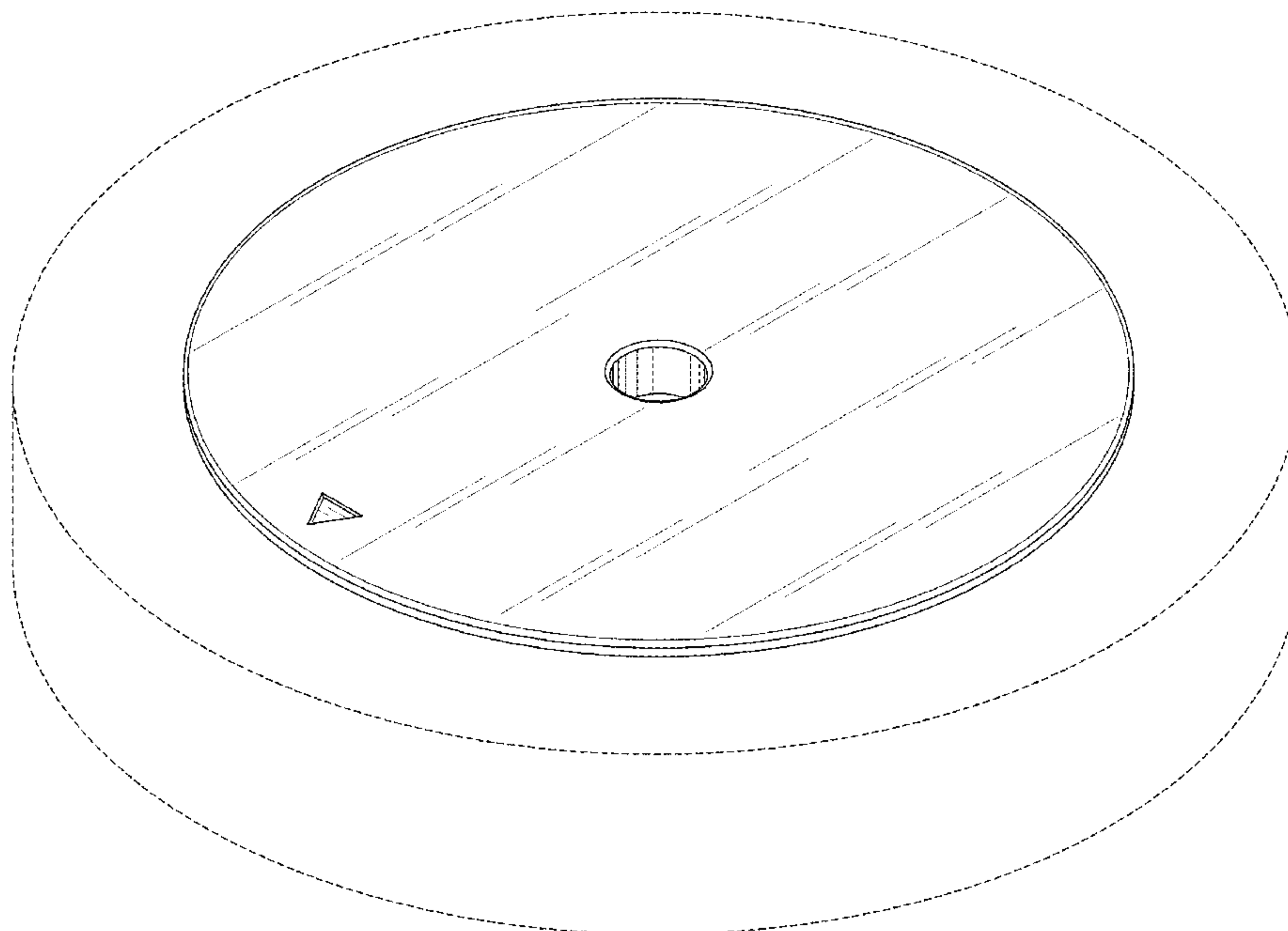
**DESCRIPTION**

FIG. 1 is a top, front and right side perspective view of the device to automate and semiautomate a fish tape according to my new design;  
FIG. 2 is a front view thereof;  
FIG. 3 is a back view thereof;  
FIG. 4 is a left side view thereof;  
FIG. 5 is a right side view thereof;  
FIG. 6 is a top view thereof;  
FIG. 7 is a bottom view thereof; and,  
FIG. 8 is a bottom, front and right side perspective view of the invention according to my new design.  
The dashed lines shown in the drawings illustrate environmental structure and form no part of the claimed design.

**1 Claim, 8 Drawing Sheets**

(56) **References Cited**  
U.S. PATENT DOCUMENTS

4,306,688 A *	12/1981	Hechler, IV	.....	B65H 75/40 242/397
4,413,808 A	11/1983	Finkle		
4,917,362 A	4/1990	Wilson		
5,110,092 A *	5/1992	Blaha	.....	B65H 75/18 254/134.3 FT
D408,749 S	4/1999	Walsten		
D431,480 S *	10/2000	Walsten	.....	D10/72
6,361,021 B1 *	3/2002	Brennan	.....	B65H 75/305 254/134.3 FT
D474,397 S *	5/2003	Plummer	.....	D8/359
6,691,930 B2 *	2/2004	Lu	.....	B65H 75/40 239/195
6,722,603 B1	4/2004	Atencio		



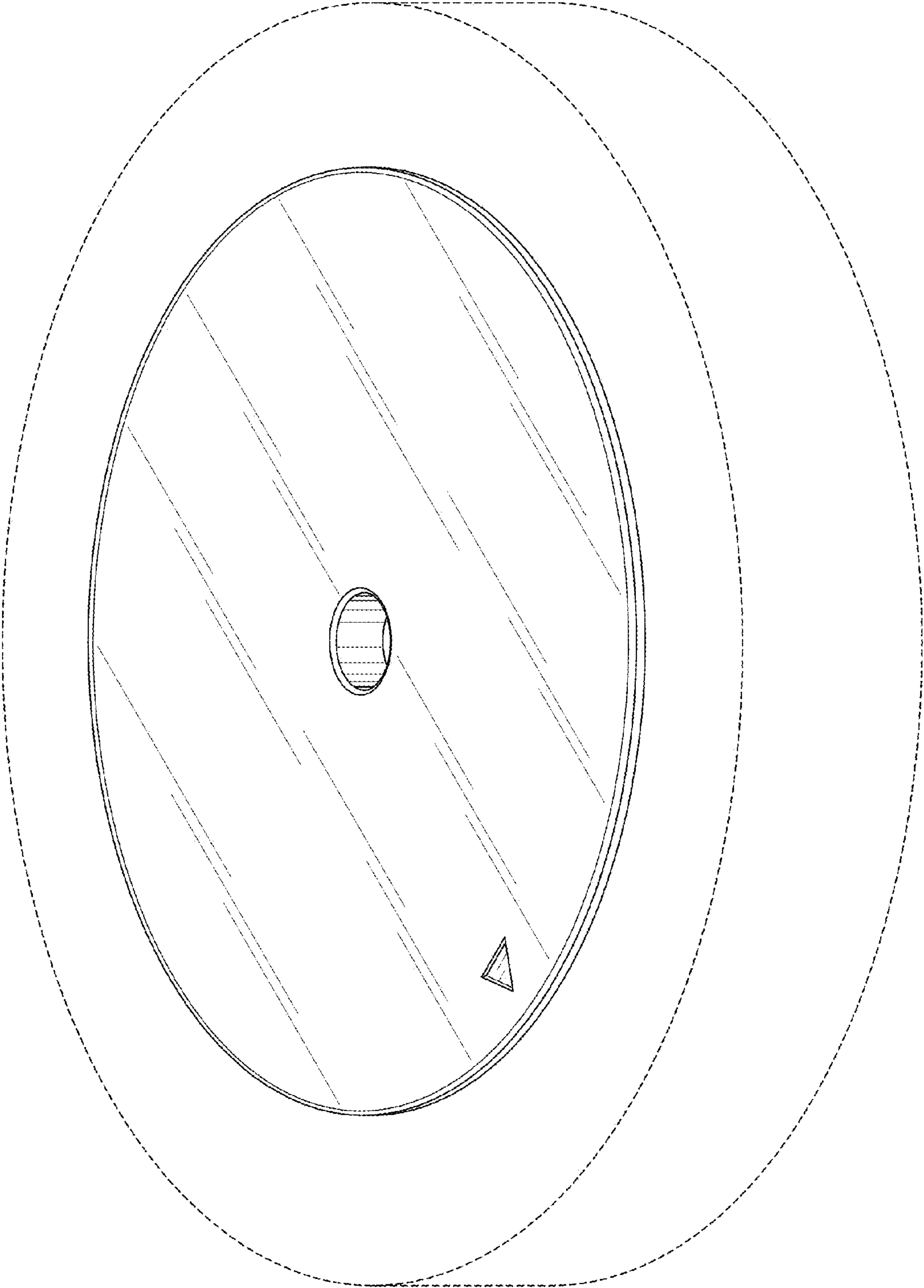


FIG. 1

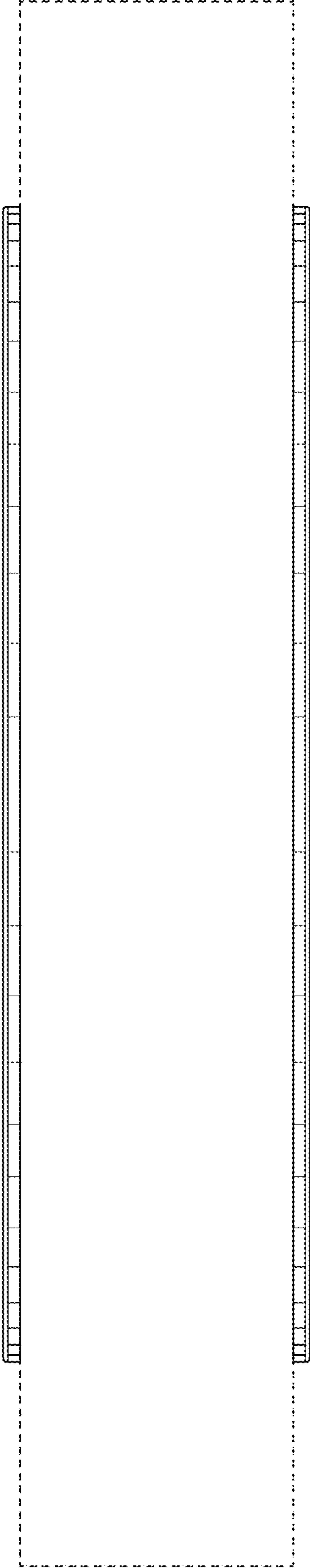


FIG. 2

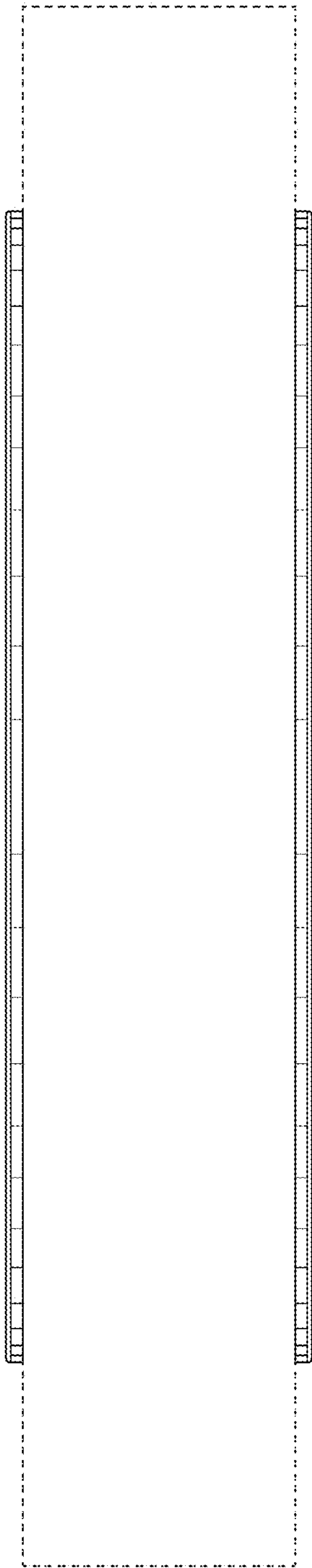


FIG. 3

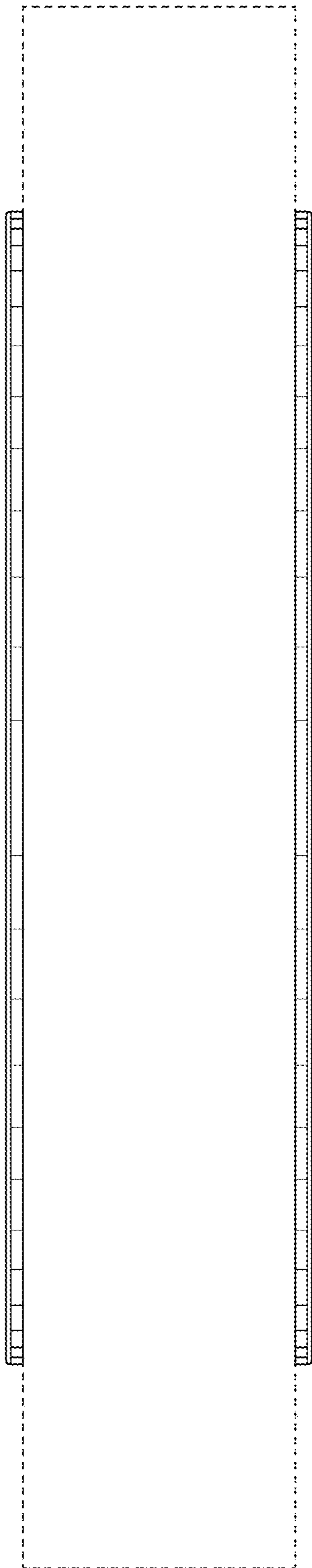


FIG. 4

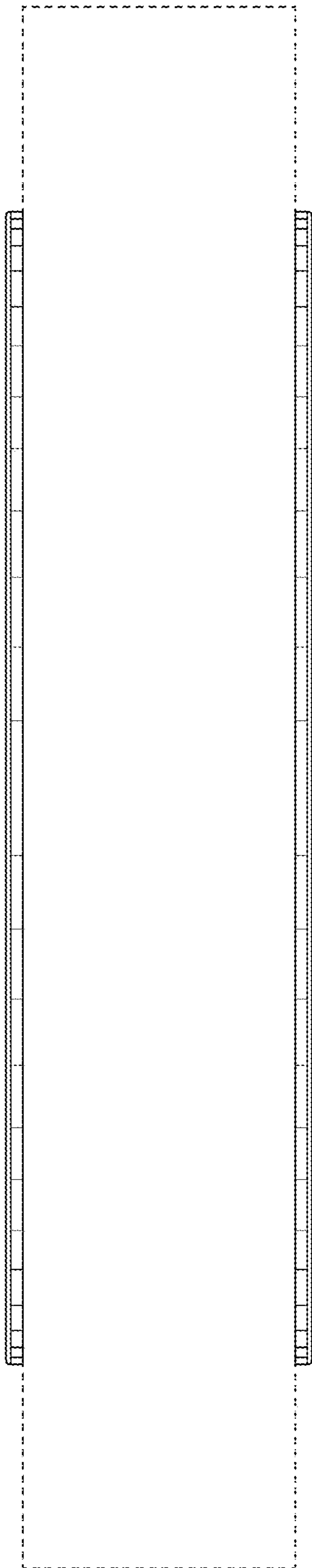


FIG. 5

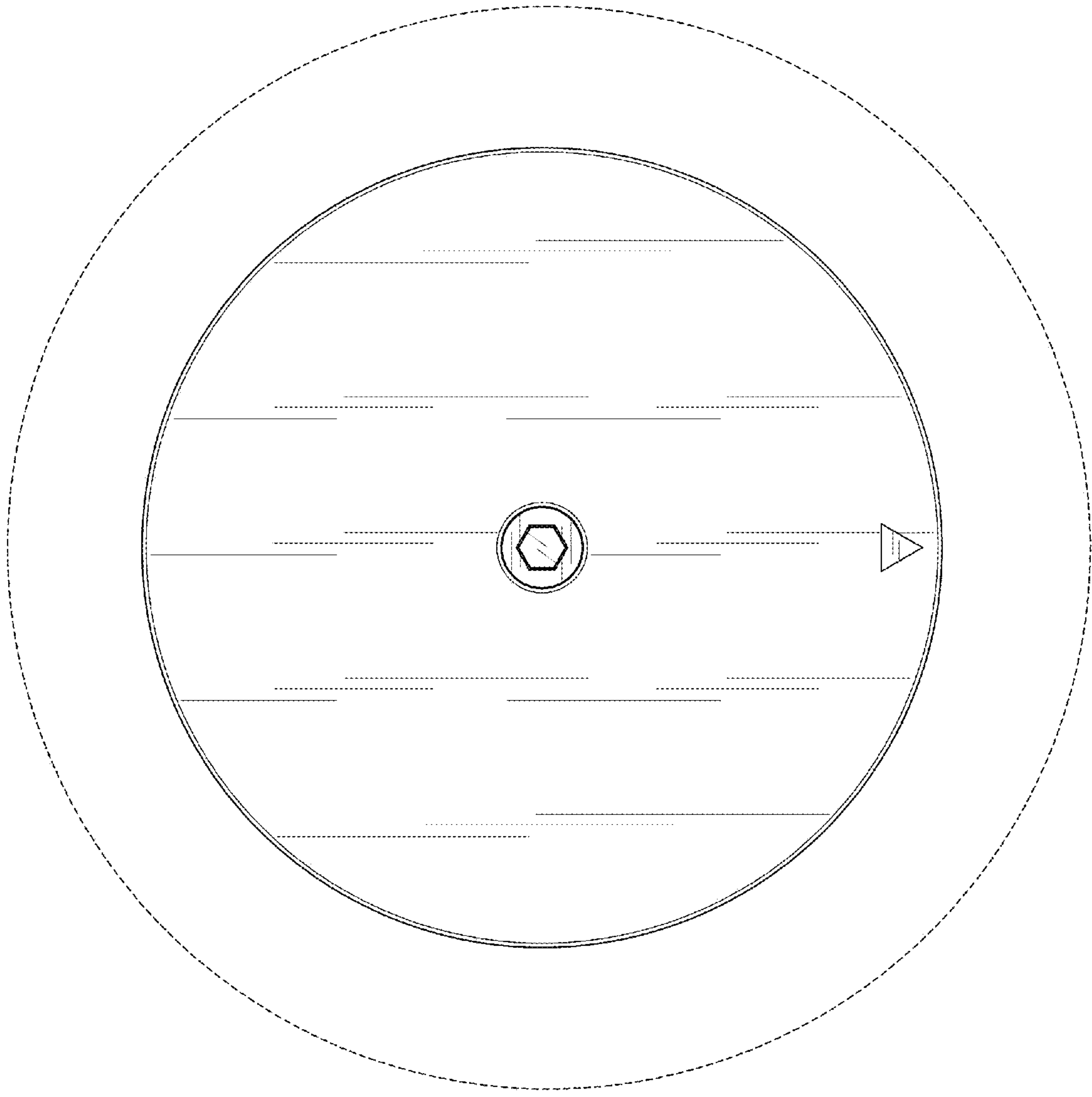


FIG. 6



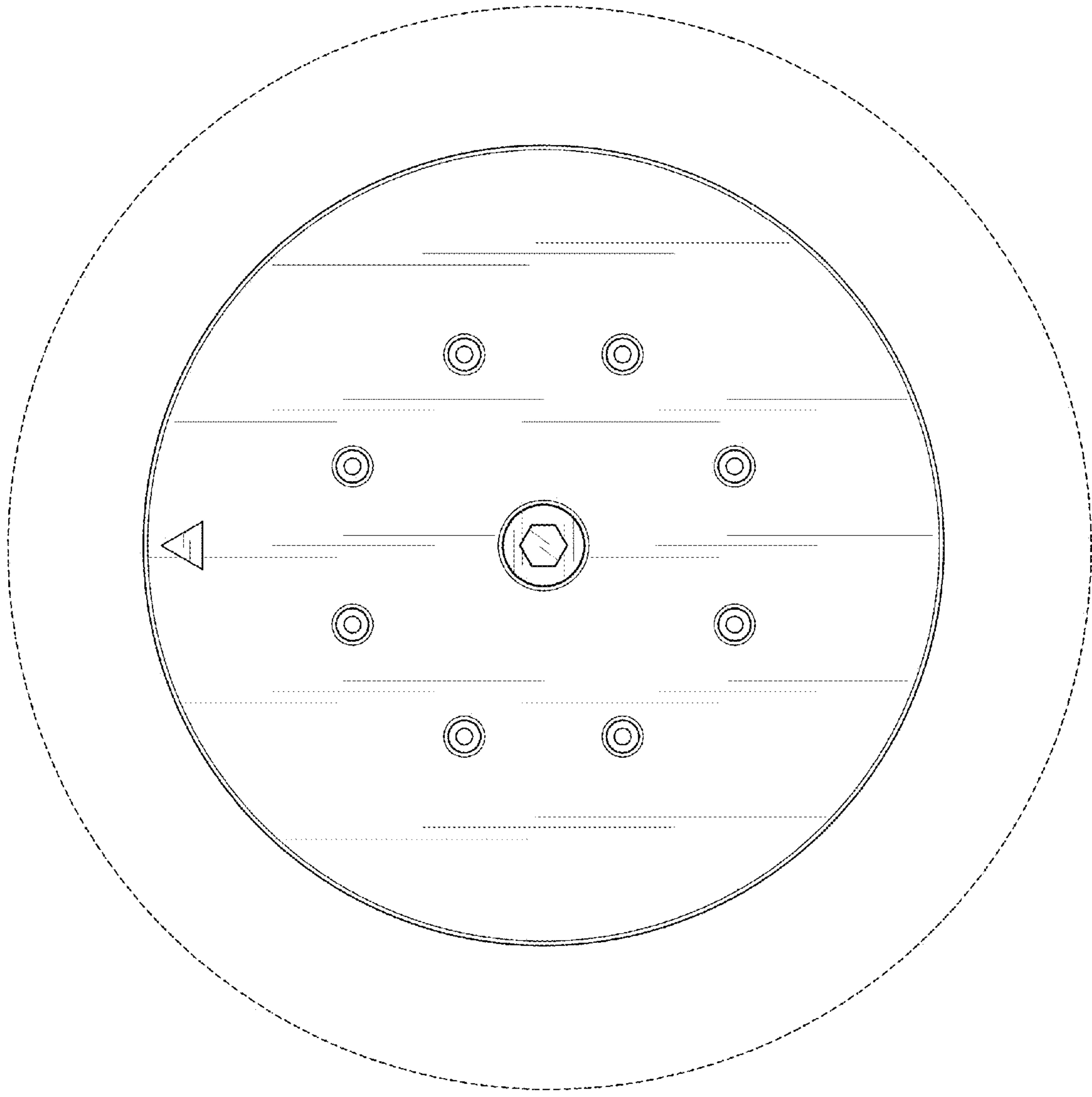


FIG. 7



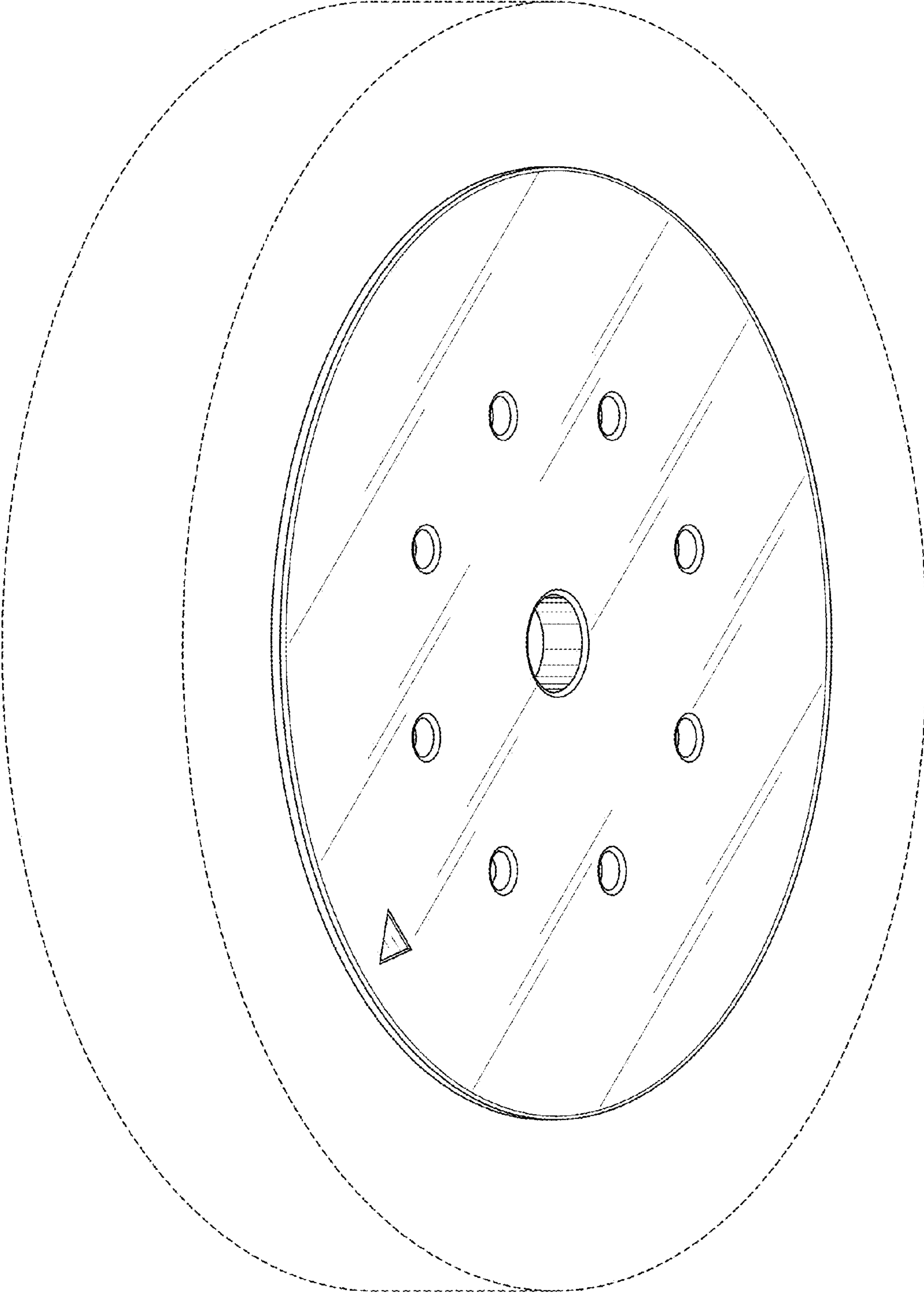


FIG. 8