



US00D902756S

(12) **United States Design Patent** (10) **Patent No.:** **US D902,756 S**
Gross et al. (45) **Date of Patent:** **** Nov. 24, 2020**

(54) **SENSOR ASSEMBLY**

DESCRIPTION

(71) Applicant: **WAYMO LLC**, Mountain View, CA (US)
(72) Inventors: **Jared S. Gross**, Belmont, CA (US); **Joshua Newby**, San Francisco, CA (US); **Albert Shane**, Berkeley, CA (US); **Alexandre Girard**, Palo Alto, CA (US)
(**) Term: **15 Years**
(21) Appl. No.: **29/680,845**
(22) Filed: **Feb. 20, 2019**
(51) **LOC (12) Cl.** **10-04**
(52) **U.S. Cl.**
USPC **D10/70**
(58) **Field of Classification Search**
USPC D10/46, 70
CPC .. B60Q 1/0017; B60Q 1/0023; B60Q 1/0029;
B60Q 1/0035; B60Q 1/0041; B60Q 1/26;
B60Q 1/2603; B60Q 1/2607; B60Q
1/2611; B60Q 9/002; B60Q 9/003; B60Q
9/004;

FIG. 1 is a front side view of a sensor assembly according to a first embodiment of our design;
FIG. 2 is a rear side view thereof;
FIG. 3 is a front elevation view thereof;
FIG. 4 is a rear side elevation view thereof;
FIG. 5 is a left side elevation view thereof;
FIG. 6 is right side elevation view thereof;
FIG. 7 is a top plan view thereof;
FIG. 8 is a top perspective view thereof;
FIG. 9 is a front side view of a sensor assembly according to a second embodiment of our design;
FIG. 10 is a rear side view thereof;
FIG. 11 is a front elevation view thereof;
FIG. 12 is a rear side elevation view thereof;
FIG. 13 is a left side elevation view thereof;
FIG. 14 is right side elevation view thereof;
FIG. 15 is a top plan view thereof;
FIG. 16 is a top perspective view thereof;
FIG. 17 is a left side elevation view of a sensor assembly according to a third embodiment of our design;
FIG. 18 is a front perspective view thereof;
FIG. 19 is a perspective view of a sensor assembly according to a fourth embodiment of our design;
FIG. 20 is a front elevation view thereof;
FIG. 21 is a rear elevation view thereof;
FIG. 22 is a left side elevation view thereof;
FIG. 23 is a right side elevation view thereof;
FIG. 24 is a top plan view thereof; and,
FIG. 25 is a bottom plan view thereof.

The dashed broken lines shown in FIGS. 9-16 illustrate environmental features that form no part of the claimed design. The dashed broken lines themselves form no part of the claimed design.

The dash-dot broken lines shown in FIGS. 9-16 indicate a perimeter of the Sensor assembly that are part of the claimed design. Portions of the sensor assembly falling outside the dash-dot broken lines form no part of the claimed design. The dash-dot broken lines themselves form no part of the claimed design.

(Continued)

(56) **References Cited**

U.S. PATENT DOCUMENTS

D328,436 S 8/1992 Fuerst et al.
5,945,907 A 8/1999 Yaron et al.
D478,518 S 8/2003 Porter

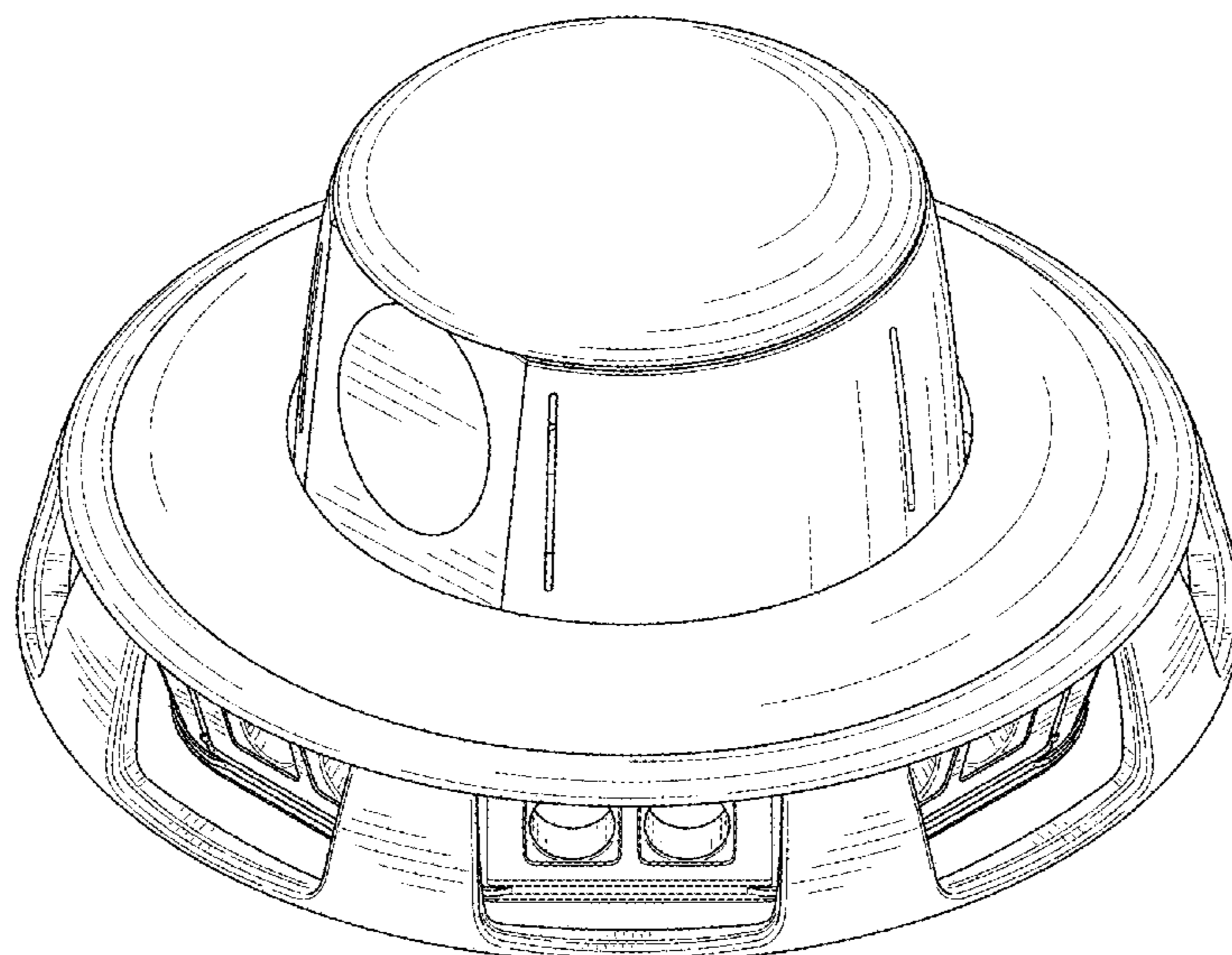
(Continued)

Primary Examiner — Antoine Duval Davis
(74) *Attorney, Agent, or Firm* — Botos Churchill IP Law LLP

(57) **CLAIM**

The ornamental design for a sensor assembly, as shown and described.

1 Claim, 16 Drawing Sheets



(58) **Field of Classification Search**

CPC B60Q 9/006; B60Q 9/007; B60Q 9/008;
B60R 1/10; B60R 1/12; B60R 2001/1284

See application file for complete search history.

(56) **References Cited**

U.S. PATENT DOCUMENTS

D525,888 S	8/2006	Porter	
D563,246 S	3/2008	Ishii et al.	
7,517,099 B2	4/2009	Hannah	
D717,720 S	11/2014	Marino	
D739,336 S	9/2015	Berrey	
9,725,060 B1	8/2017	Daniel et al.	
9,862,311 B2	1/2018	Kiriyama et al.	
D822,580 S	7/2018	Eriksson et al.	
D835,028 S	12/2018	Ahn et al.	
D866,368 S	11/2019	Ahn et al.	
D874,956 S	2/2020	Ahn et al.	
D878,264 S *	3/2020	Ahn	D12/190
2016/0011594 A1	1/2016	Chung et al.	
2017/0151933 A1	6/2017	Doorley et al.	
2017/0293016 A1	10/2017	McCloskey et al.	
2017/0300060 A1	10/2017	Crawley	
2017/0343654 A1	11/2017	Valois et al.	
2018/0011173 A1	1/2018	Newman	
2018/0015886 A1	1/2018	Frank et al.	
2018/0017680 A1	1/2018	Pennecot et al.	
2018/0037268 A1	2/2018	Moore et al.	
2018/0086280 A1	3/2018	Nguyen	

* cited by examiner

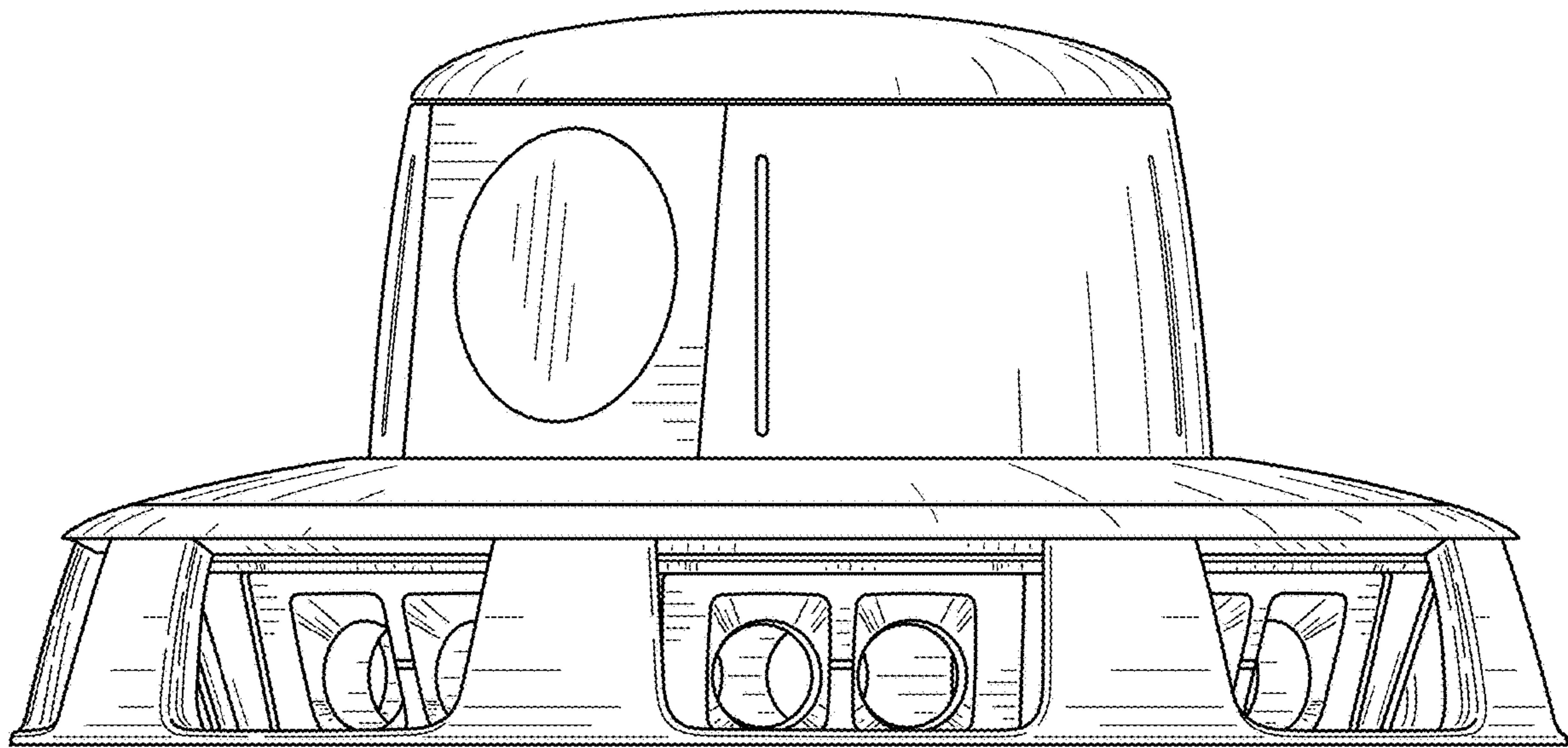


FIG. 1

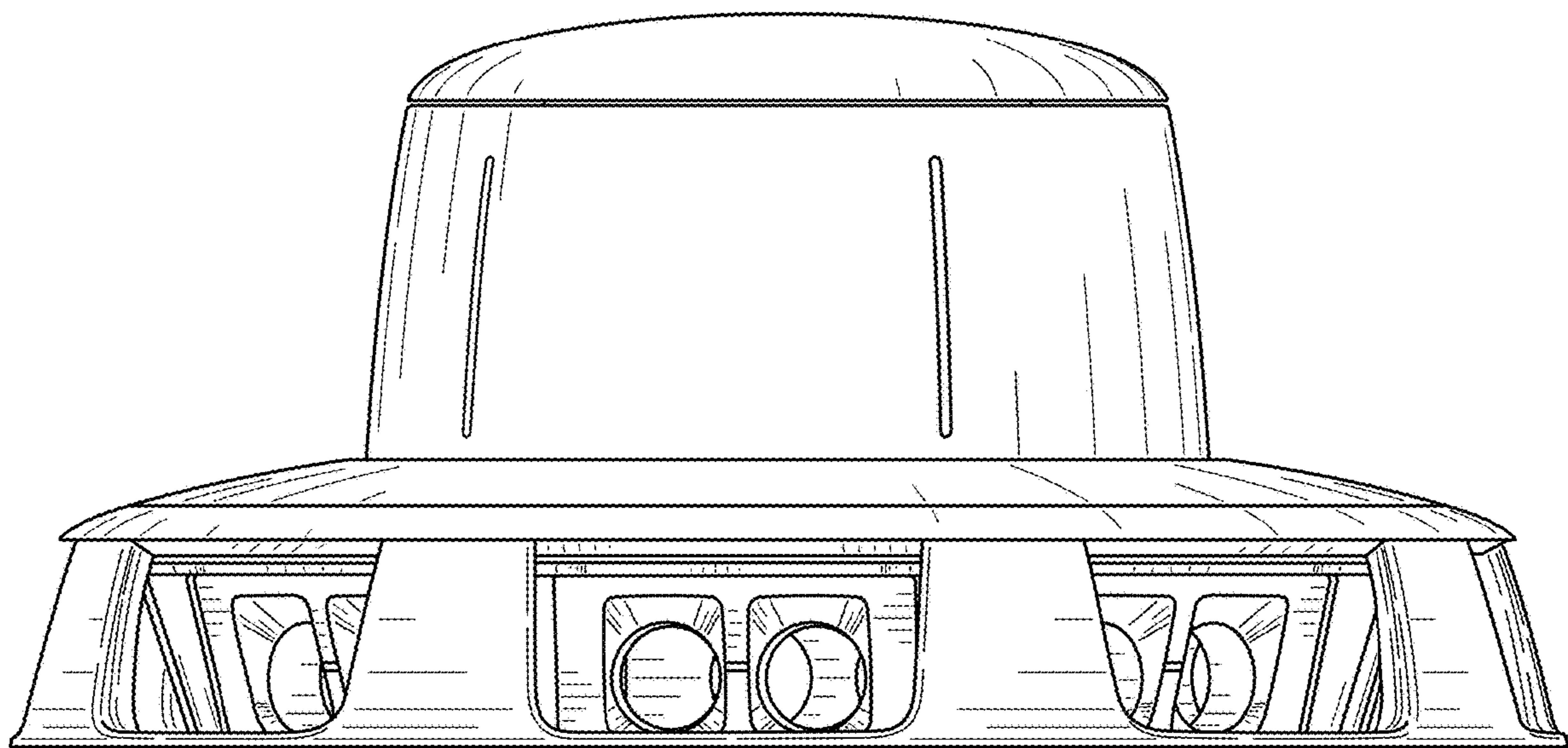


FIG. 2

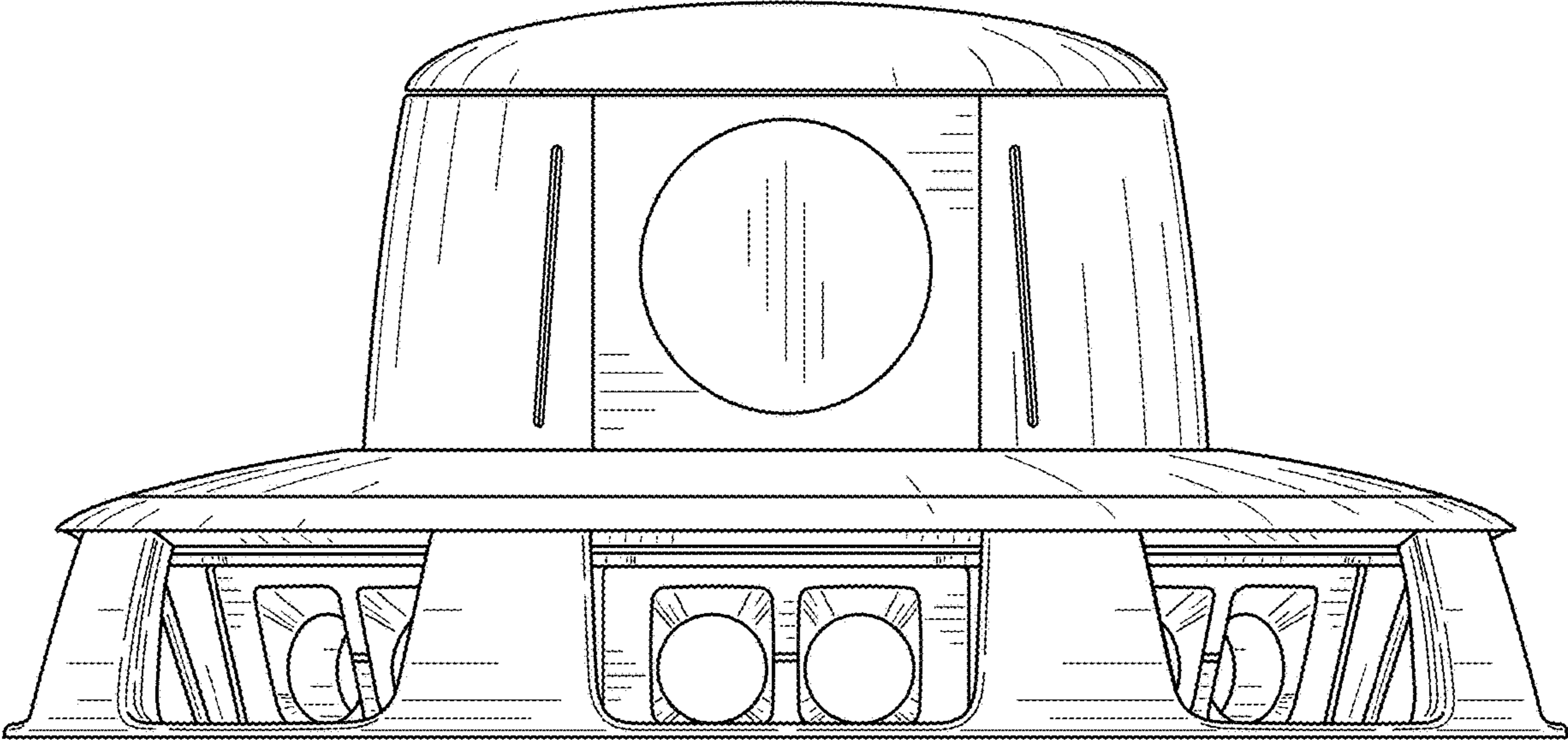


FIG. 3

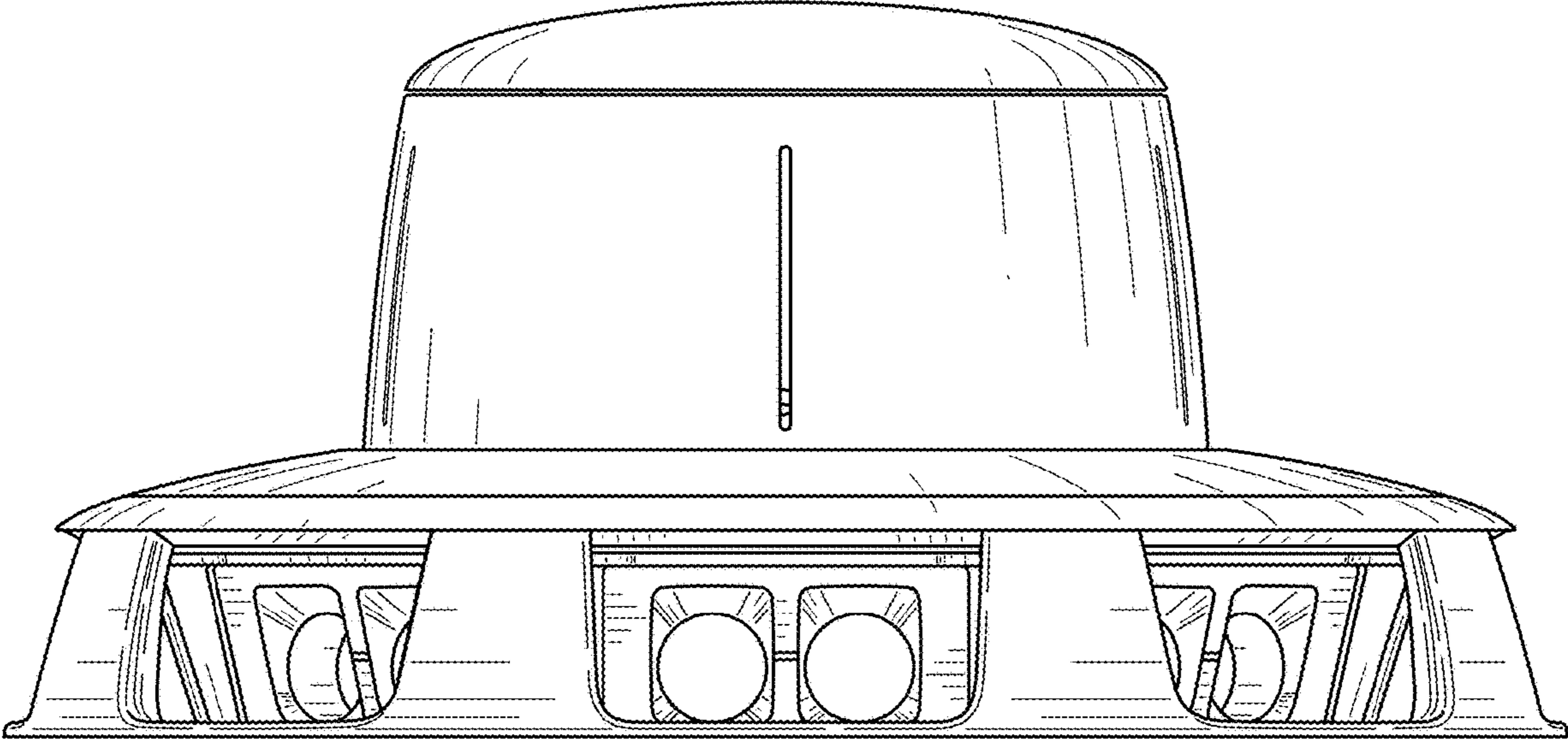


FIG. 4

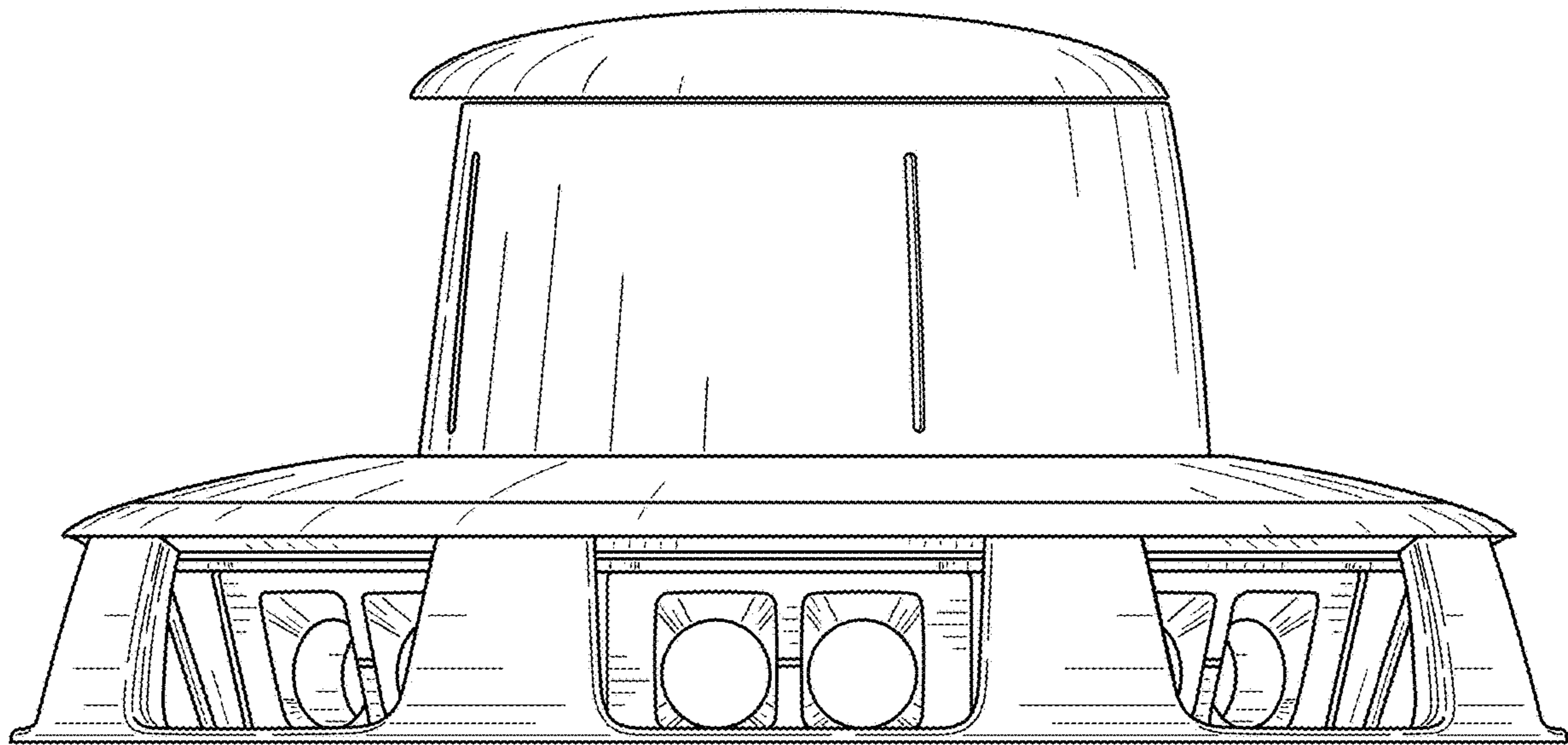


FIG. 5

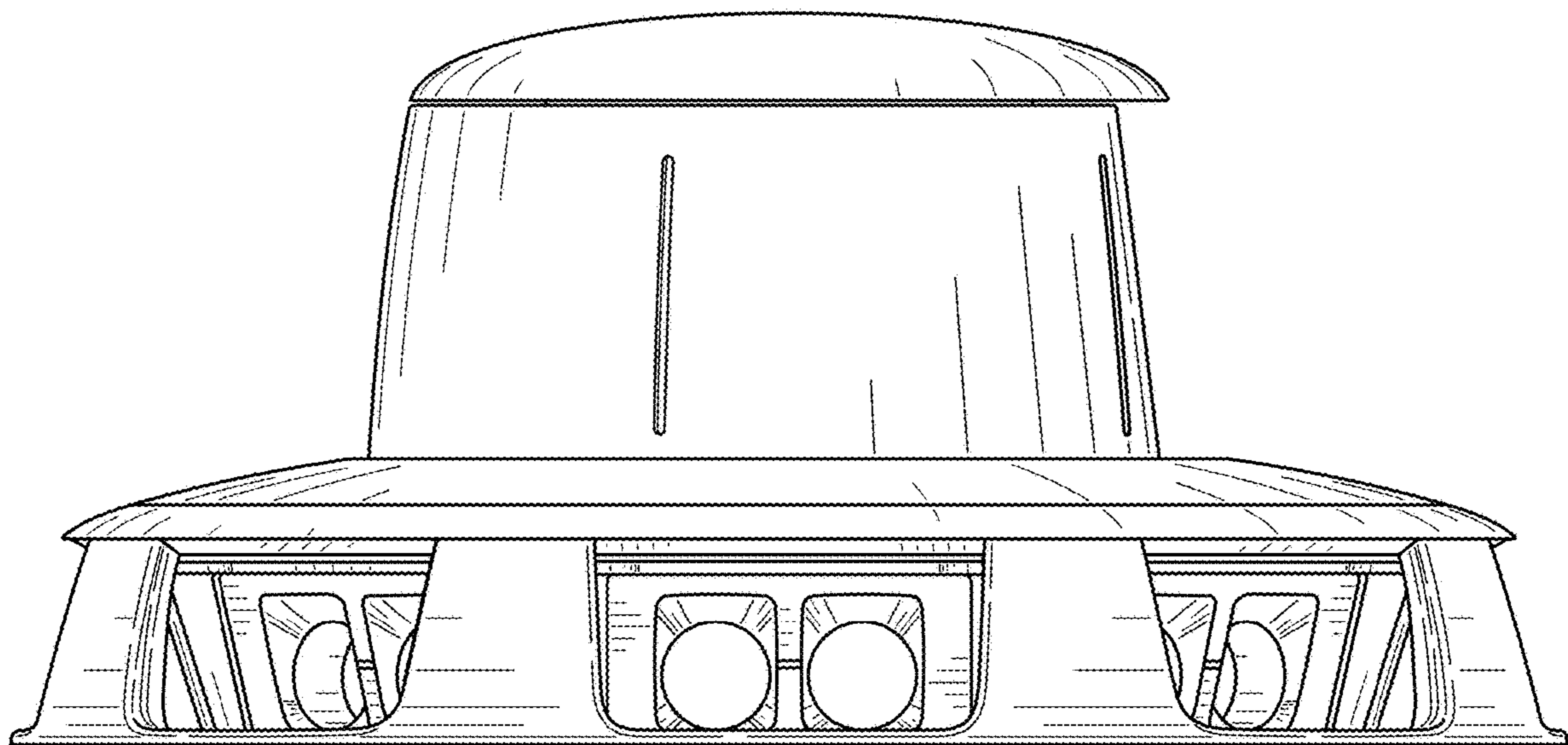


FIG. 6

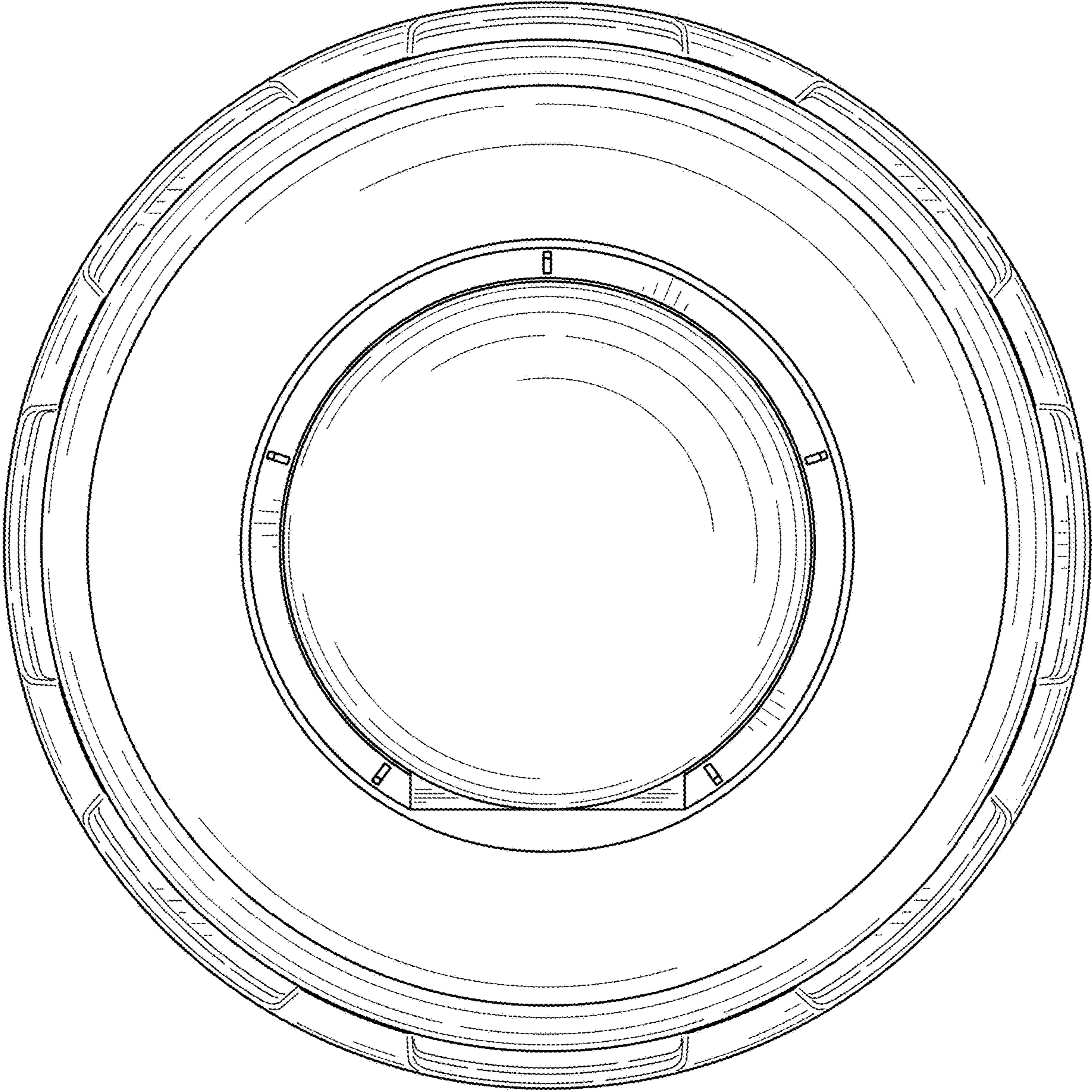


FIG. 7

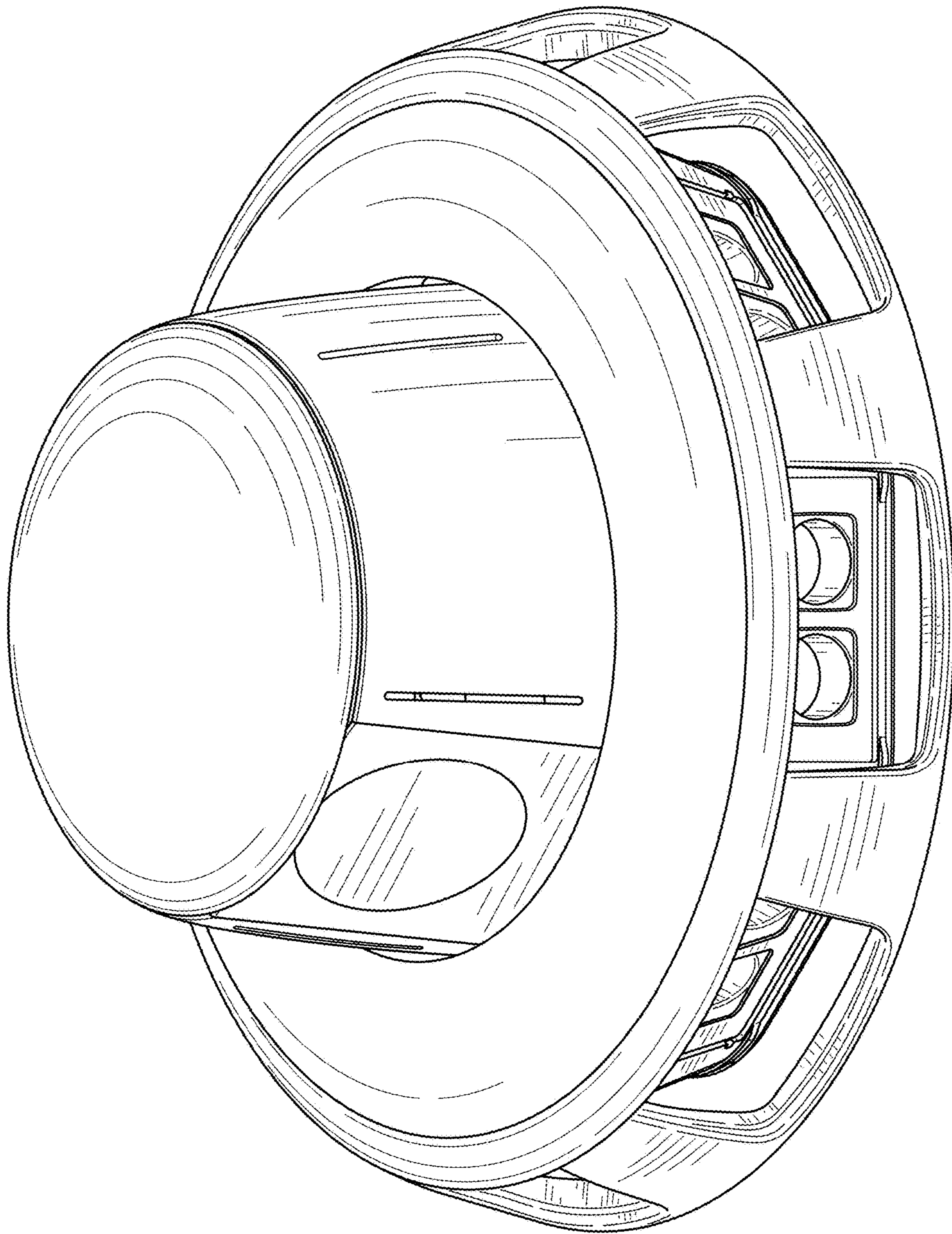


FIG. 8

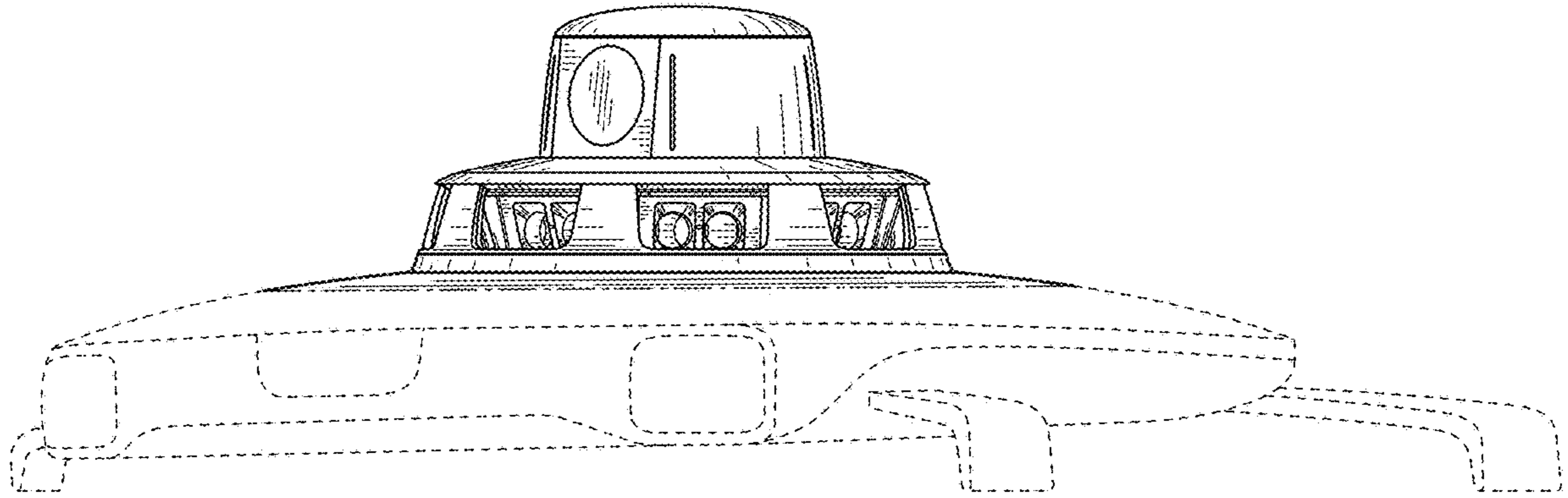


FIG. 9

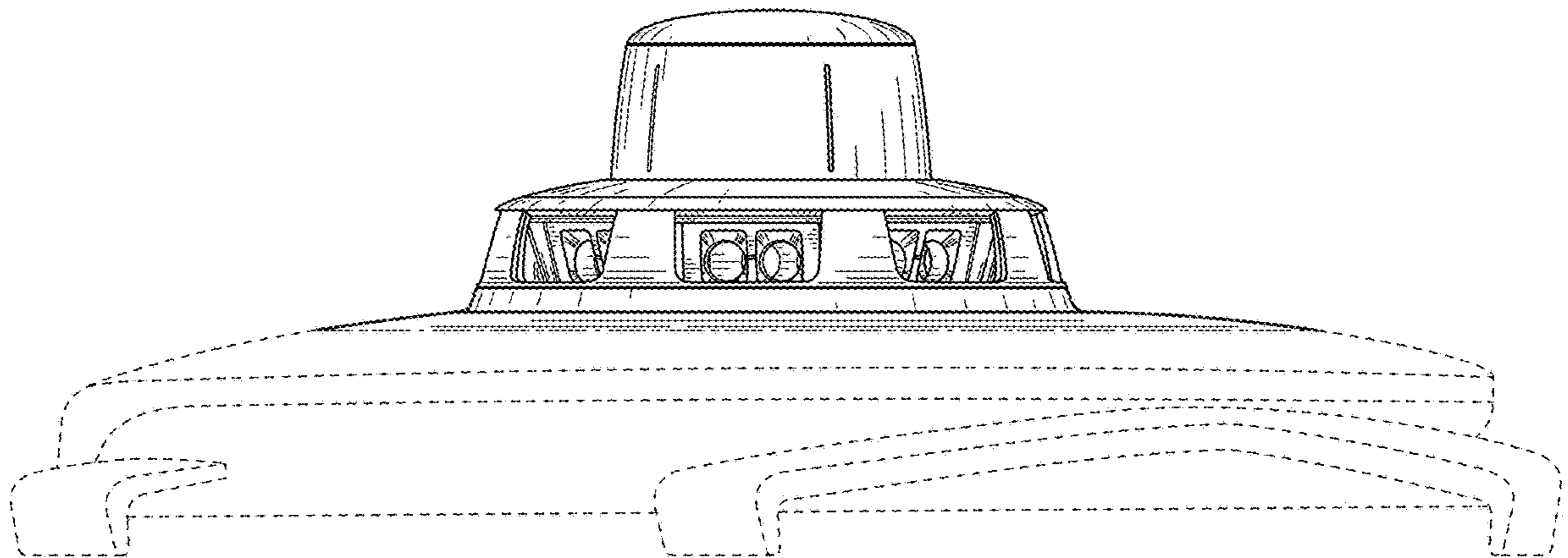


FIG. 10

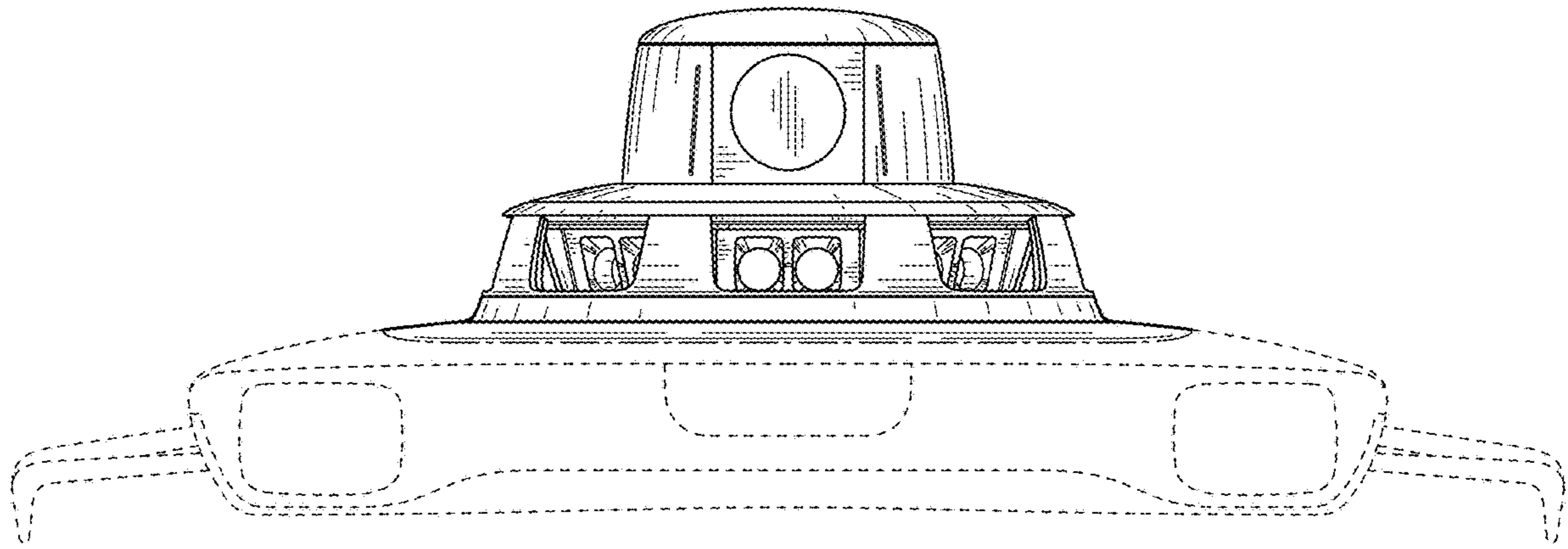


FIG. 11

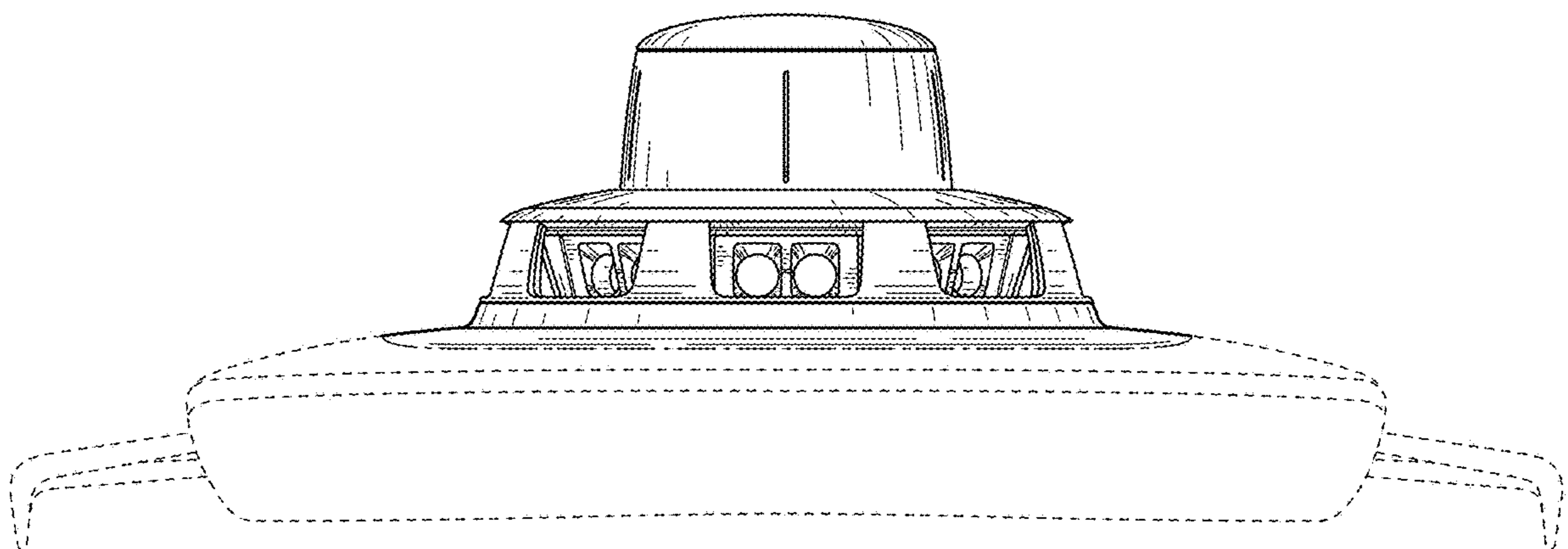


FIG. 12

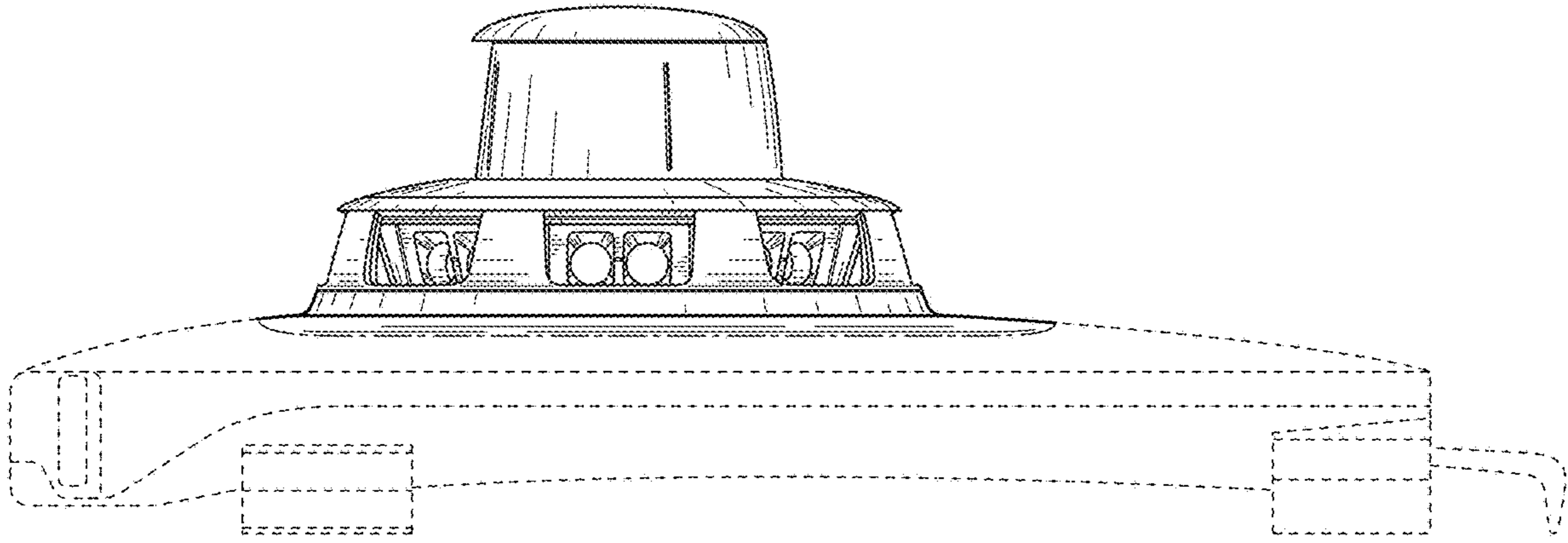


FIG. 13

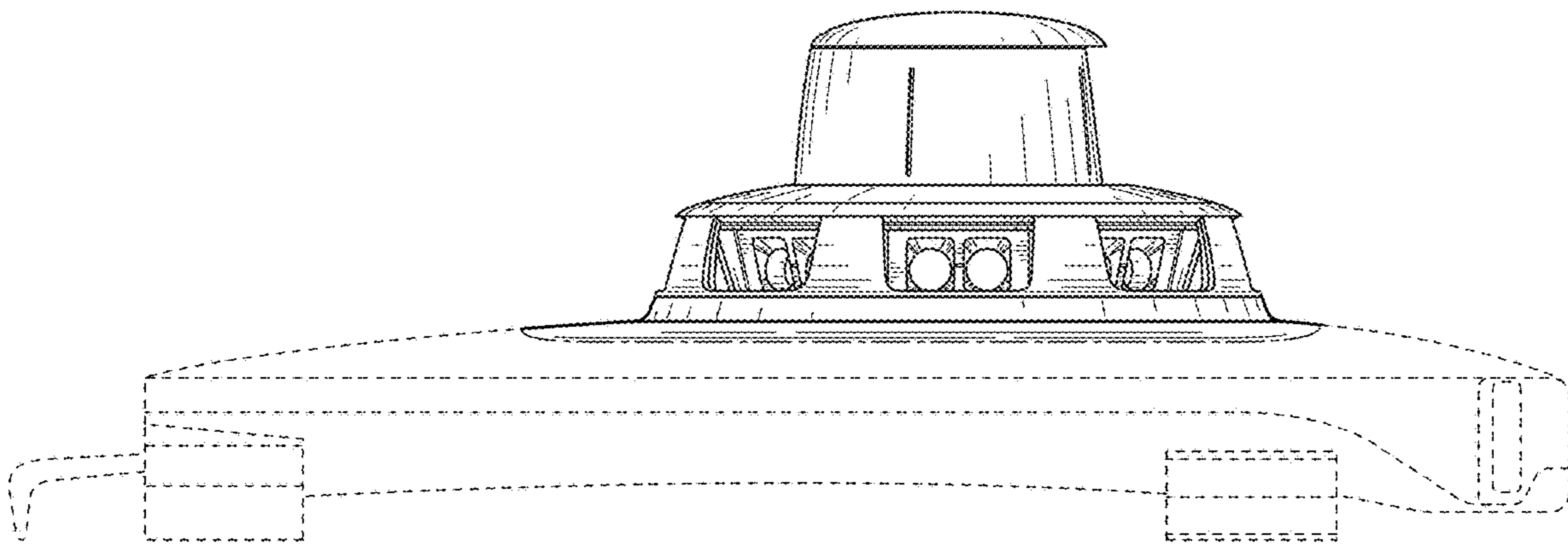


FIG. 14

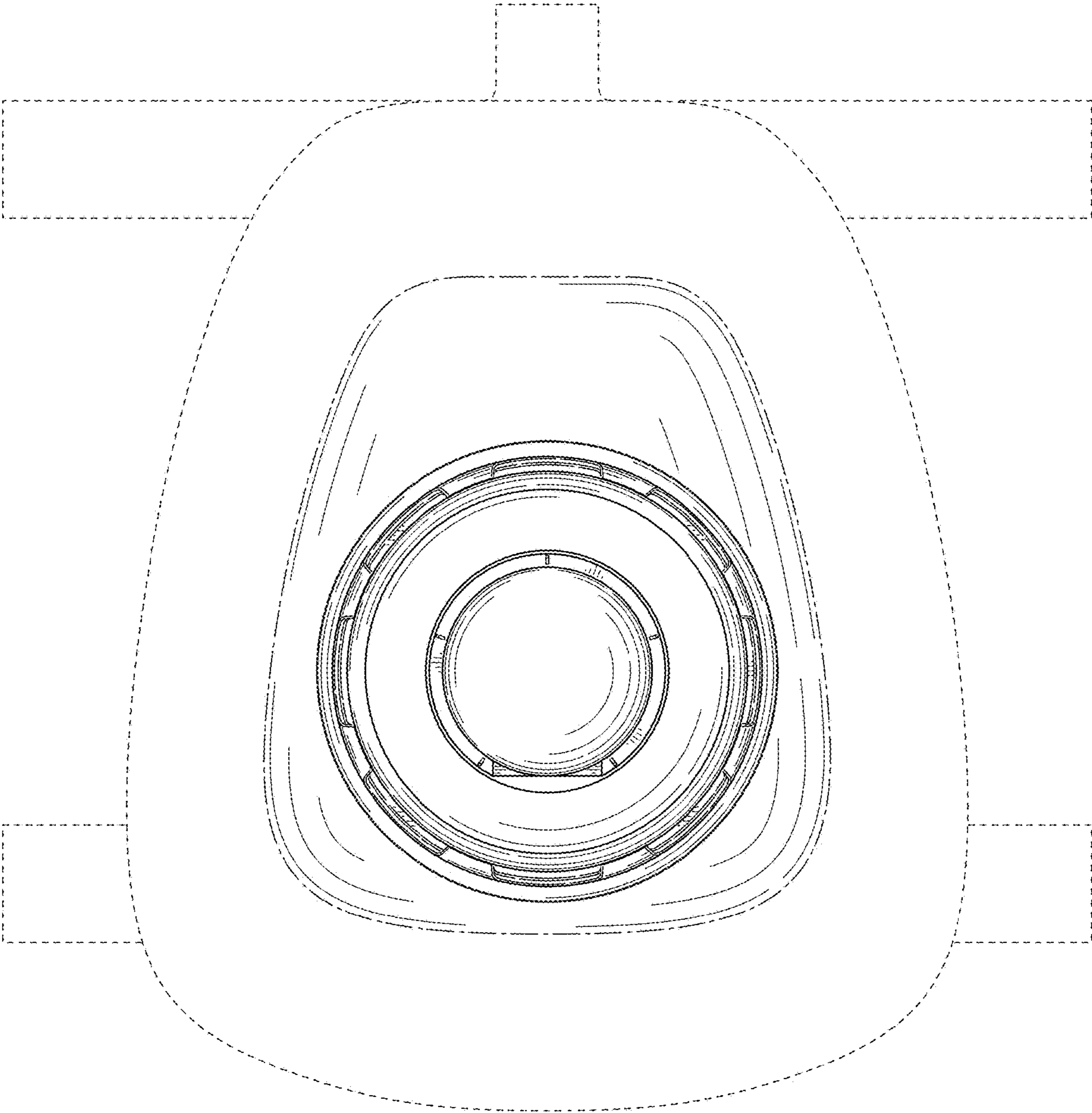


FIG. 15

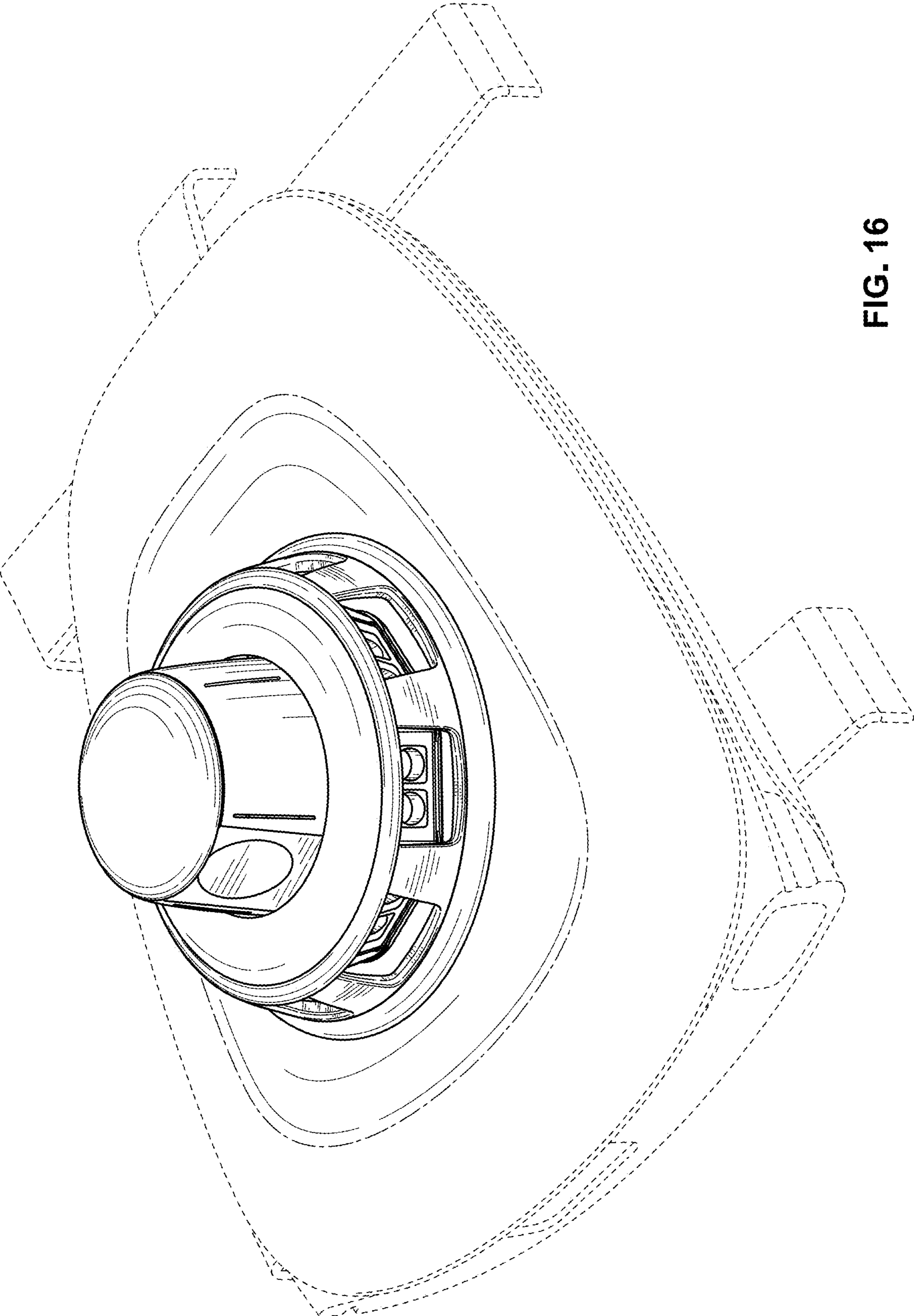


FIG. 16

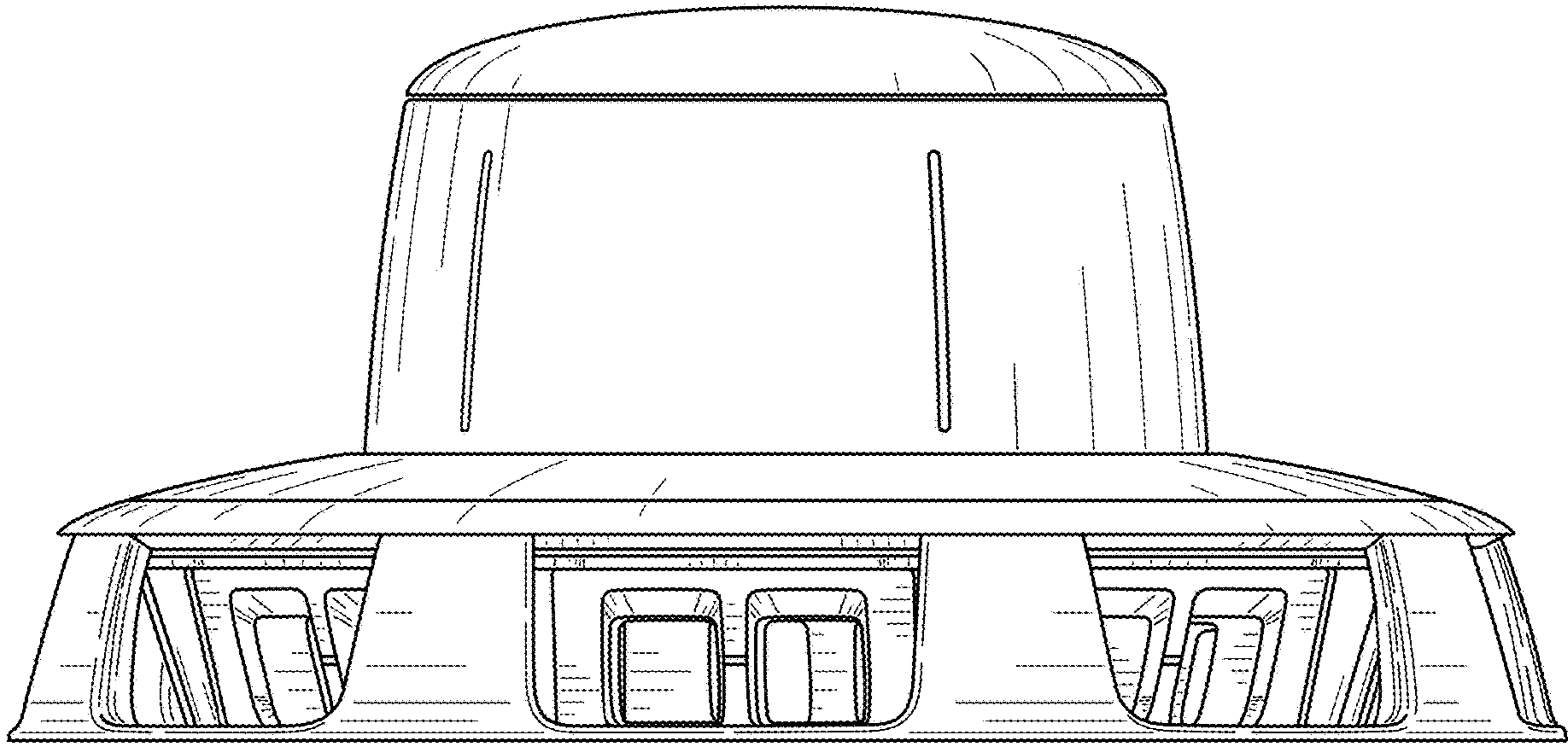


FIG. 17

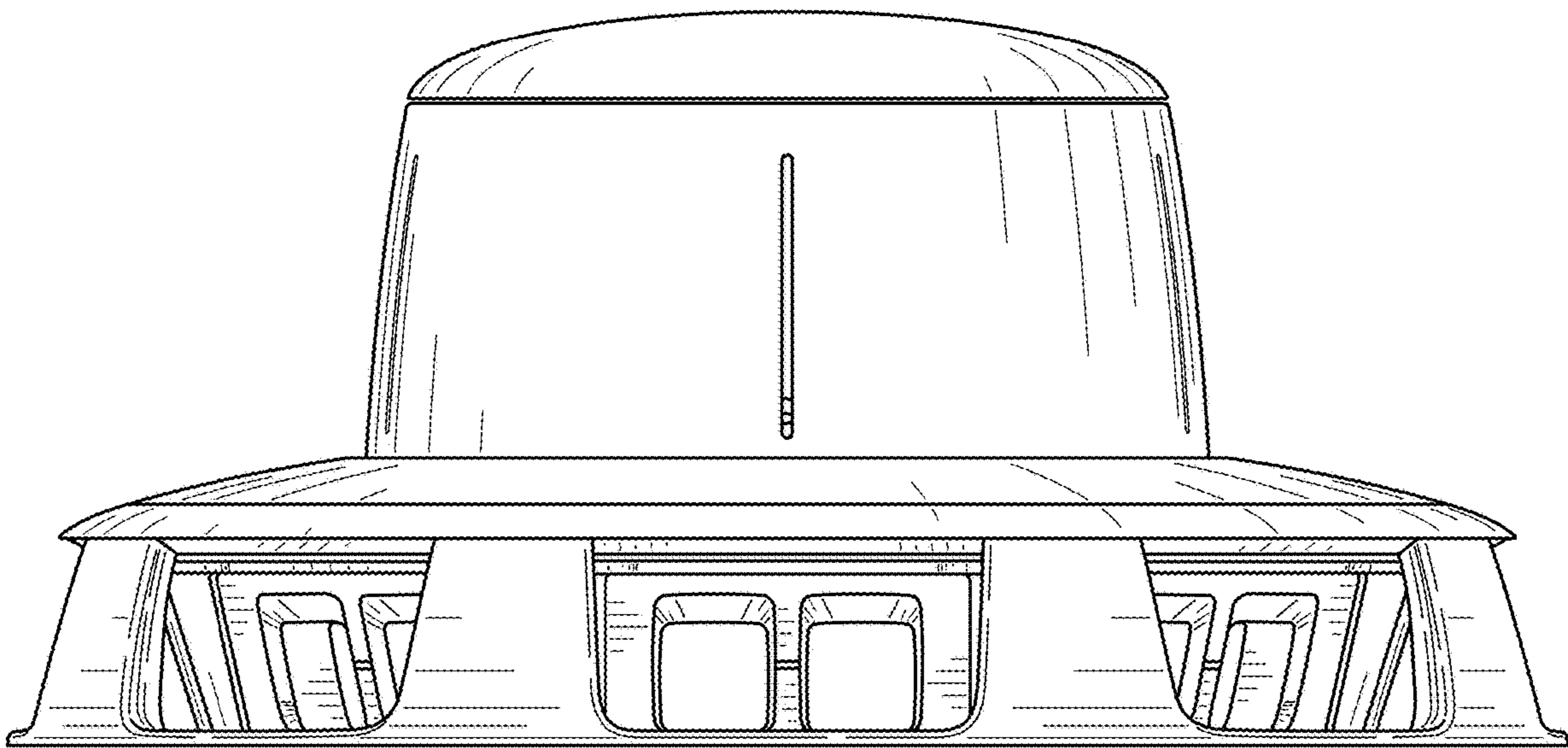


FIG. 18

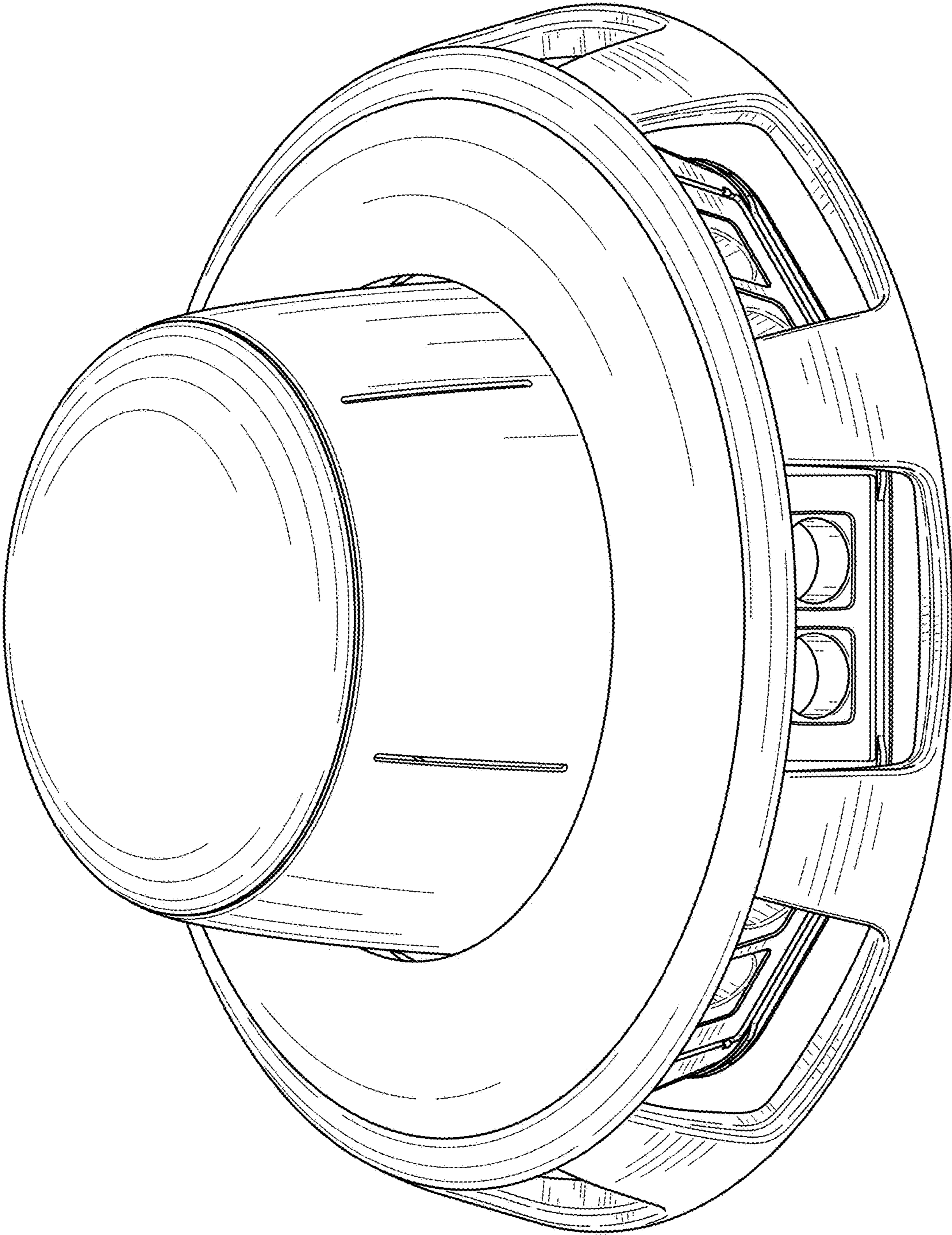


FIG. 19

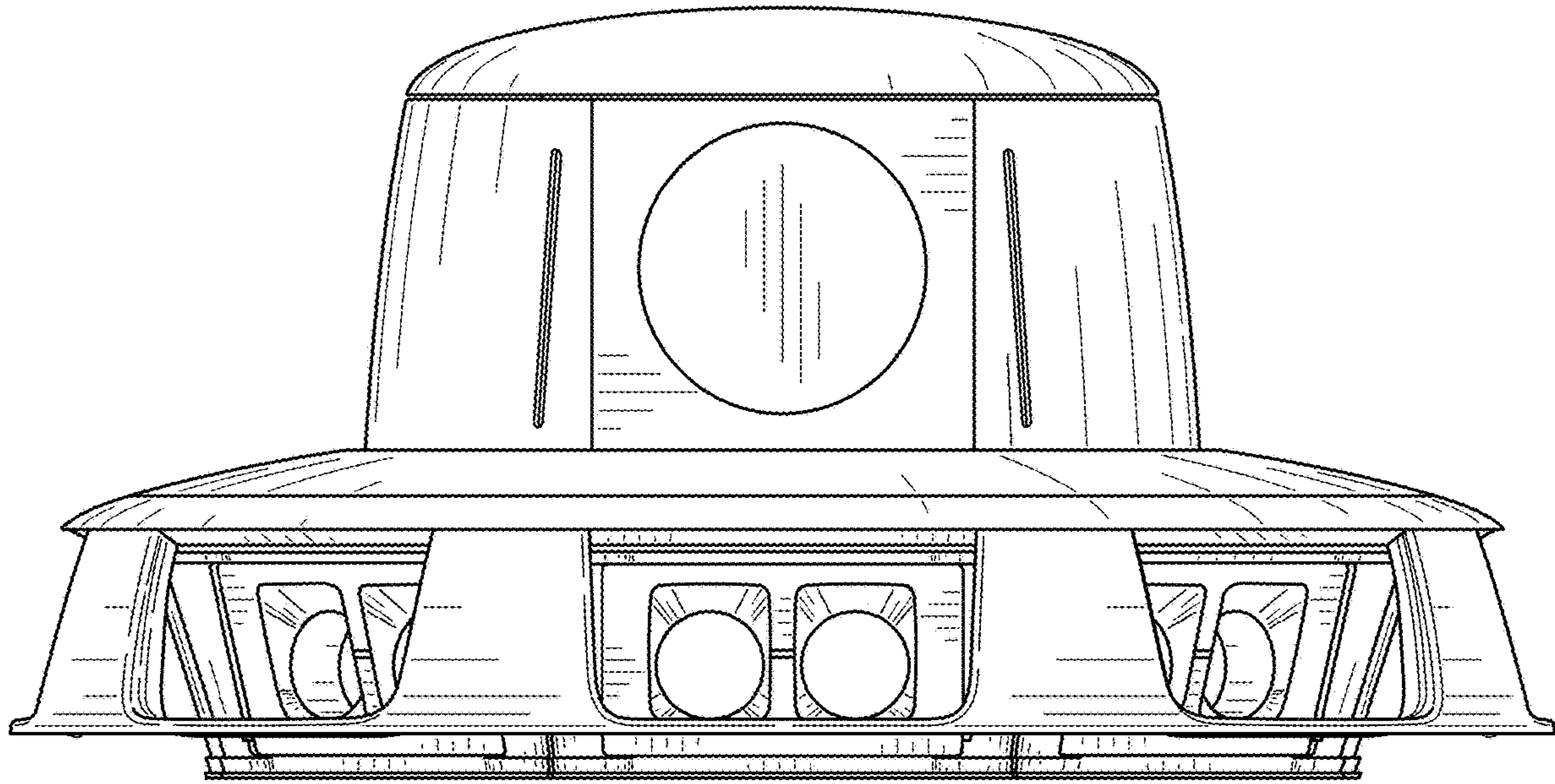


FIG. 20

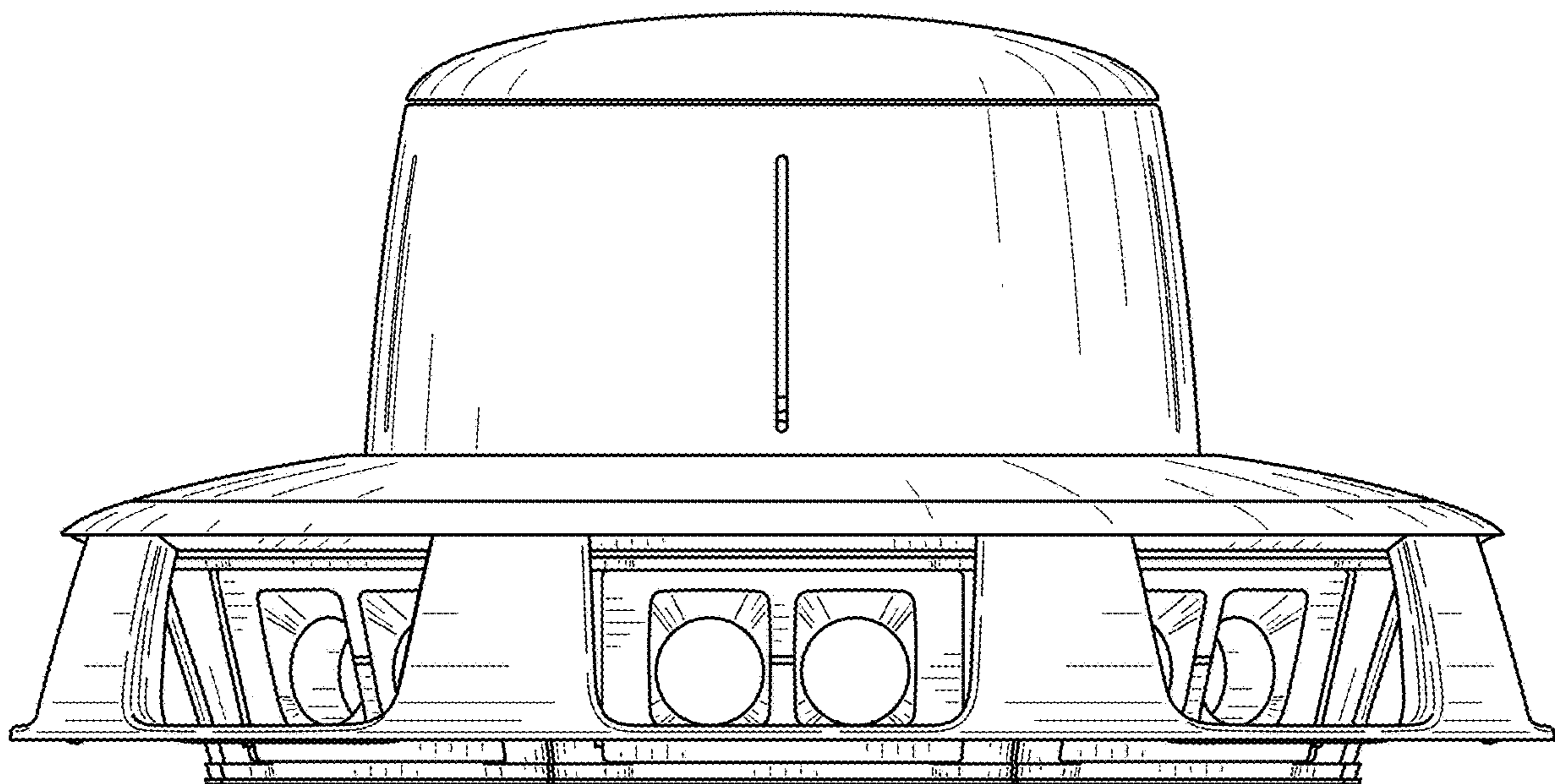


FIG. 21

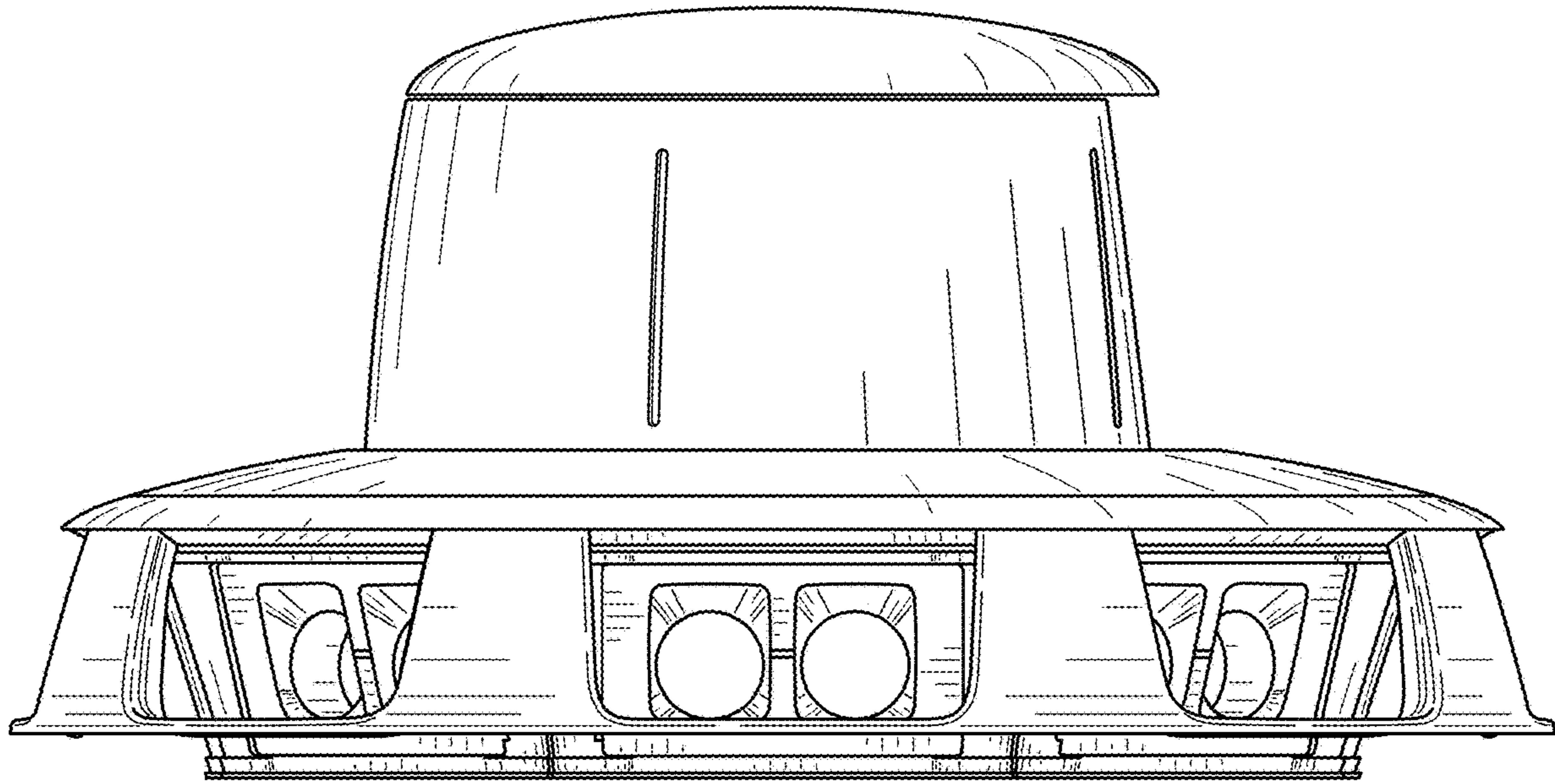


FIG. 22

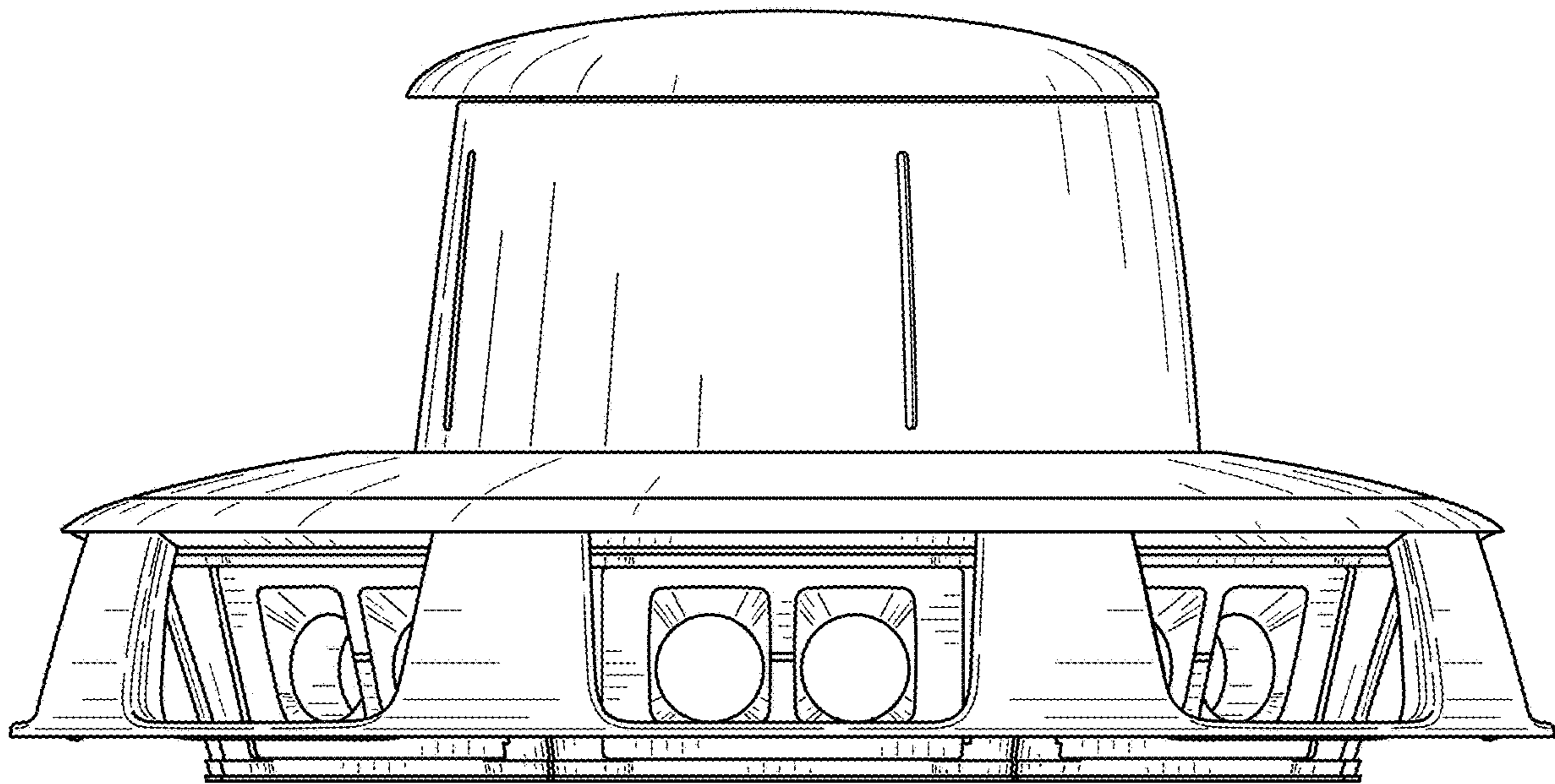


FIG. 23

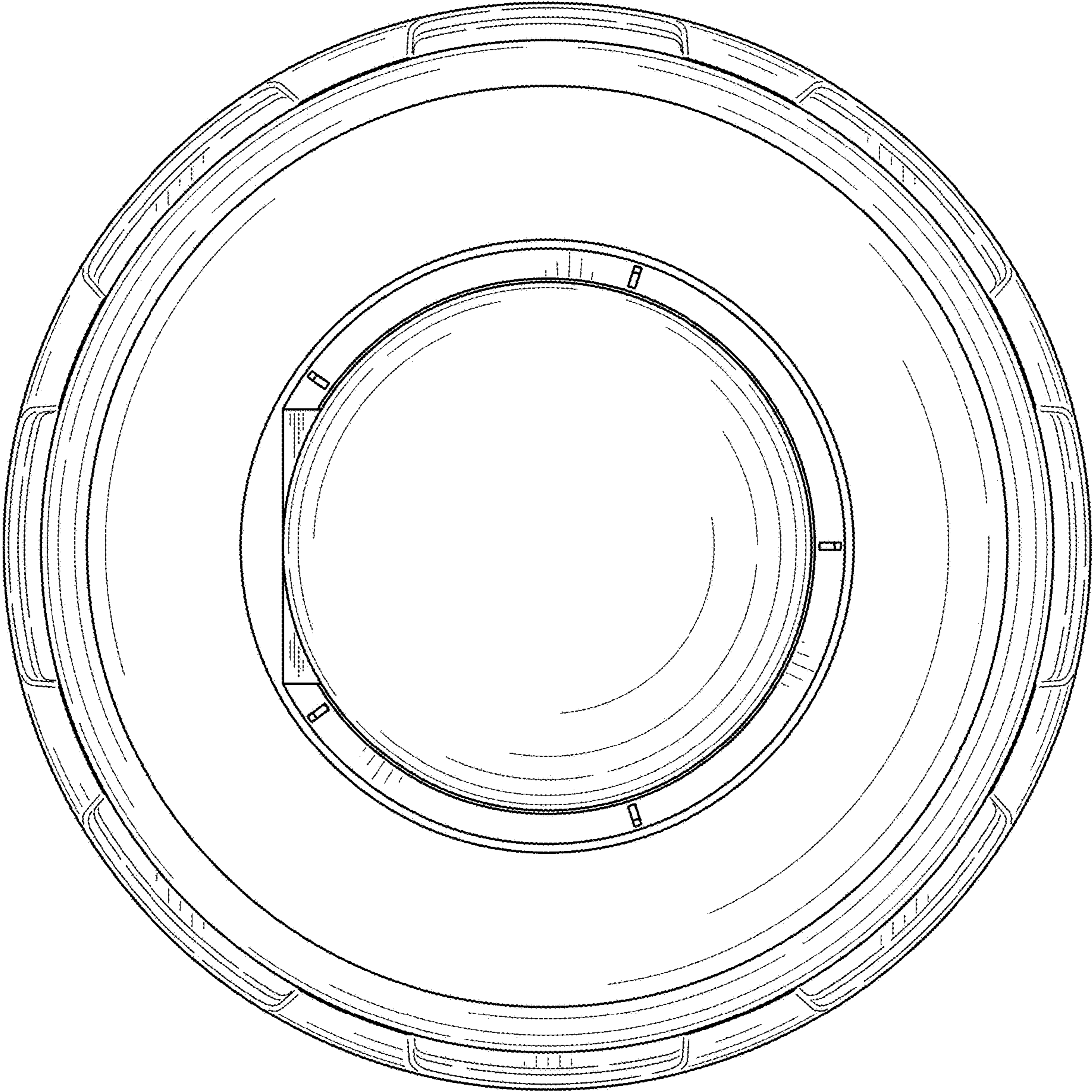


FIG. 24

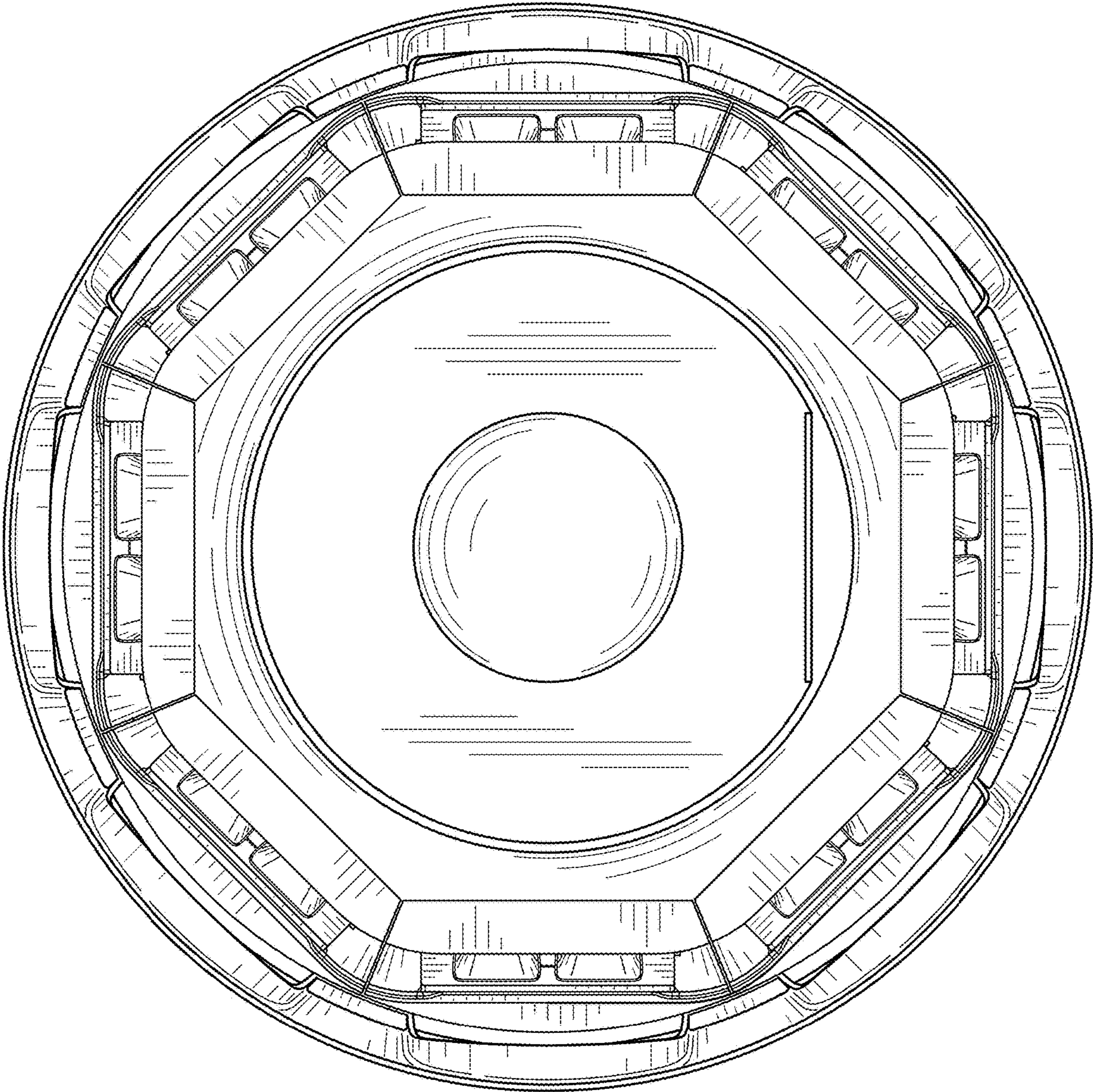


FIG. 25