



US00D902755S

(12) **United States Design Patent**  
**Silberberg**

(10) **Patent No.:** **US D902,755 S**

(45) **Date of Patent:** **\*\* Nov. 24, 2020**

(54) **ARTICULATING LEVEL**

(71) Applicant: **Mark L. Silberberg**, Boerne, TX (US)

(72) Inventor: **Mark L. Silberberg**, Boerne, TX (US)

(\*\*) Term: **15 Years**

(21) Appl. No.: **29/741,266**

(22) Filed: **Jul. 10, 2020**

(51) **LOC (12) Cl.** ..... **10-04**

(52) **U.S. Cl.**  
USPC ..... **D10/69**

(58) **Field of Classification Search**  
USPC ..... D10/69  
CPC .. F16M 11/2064; F16M 13/022; F16M 11/24;  
F16M 11/2021; F16M 2200/022; F16M  
2200/068; F41A 23/06; F41A 23/16  
See application file for complete search history.

(56) **References Cited**

**U.S. PATENT DOCUMENTS**

D494,075 S *	8/2004	Chen	.....	D10/69
D509,158 S	9/2005	Silberberg		
D538,186 S	3/2007	Silberberg		
D576,063 S	9/2008	Silberberg		
D595,165 S	6/2009	Silberberg		
D644,945 S	9/2011	Silberberg		
D644,946 S	9/2011	Silberberg		
D644,947 S	9/2011	Silberberg		
D694,136 S	11/2013	Silberberg		
D719,470 S	12/2014	Silberberg		
D722,509 S	2/2015	Silberberg		
D722,510 S	2/2015	Silberberg		
D722,511 S	2/2015	Silberberg		
D722,512 S	2/2015	Silberberg		
D722,513 S	2/2015	Silberberg		
D722,514 S	2/2015	Silberberg		
D722,897 S	2/2015	Silberberg		
D730,206 S	5/2015	Silberberg		

9,021,710 B2	5/2015	Silberberg		
9,097,277 B2 *	8/2015	Johnson, Sr.	.....	F16M 13/00
9,151,606 B2	10/2015	Silberberg		
9,360,315 B2	6/2016	Silberberg		
9,551,574 B2	1/2017	Silberberg		
10,352,497 B2 *	7/2019	Yokiel	.....	F16M 11/24

(Continued)

*Primary Examiner* — Antoine Duval Davis

(74) *Attorney, Agent, or Firm* — Volk & McElroy, LLP;  
Michael D. Volk Jr.

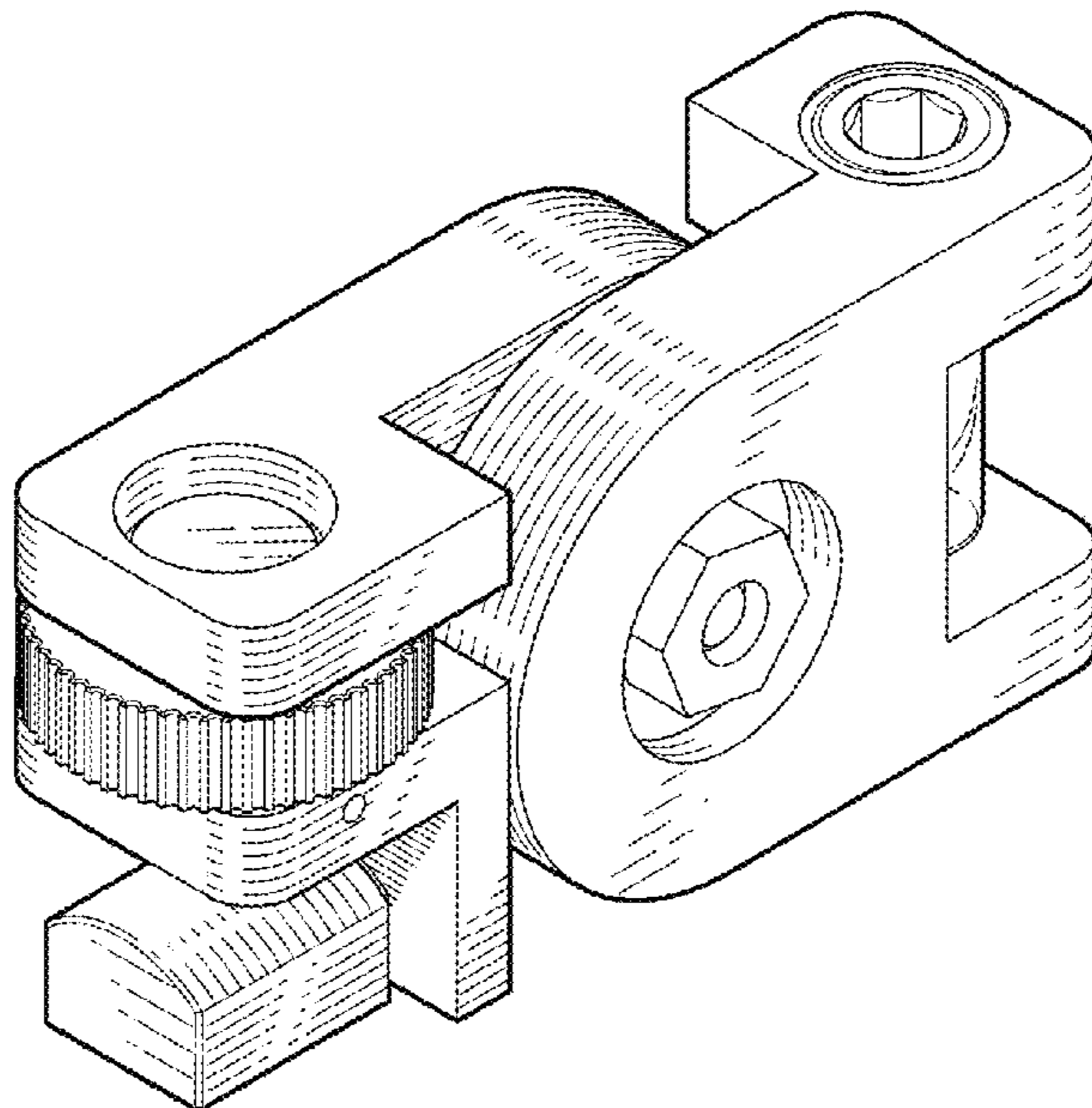
(57) **CLAIM**

The ornamental design for a articulating level, as shown.

**DESCRIPTION**

FIG. 1 is a perspective view of an articulating level showing my new design.  
 FIG. 2 is a right side view thereof.  
 FIG. 3 is a left side view thereof.  
 FIG. 4 is a rear view thereof.  
 FIG. 5 is a front view thereof.  
 FIG. 6 is a top view thereof.  
 FIG. 7 is a bottom view thereof.  
 FIG. 8 is a perspective view of my articulating level of FIG. 1 showing an alternate configuration.  
 FIG. 9 is a right side view thereof.  
 FIG. 10 is a left side view thereof.  
 FIG. 11 is a rear view thereof.  
 FIG. 12 is a front view thereof.  
 FIG. 13 is a top view thereof.  
 FIG. 14 is a bottom view thereof.  
 FIG. 15 is a perspective view of my articulating level of FIG. 1 showing another alternate configuration.  
 FIG. 16 is a right side view thereof.  
 FIG. 17 is a left side view thereof.  
 FIG. 18 is a rear view thereof.  
 FIG. 19 is front view thereof.  
 FIG. 20 is a top view thereof; and,  
 FIG. 21 is a bottom view thereof.

**1 Claim, 10 Drawing Sheets**



(56)

**References Cited**

U.S. PATENT DOCUMENTS

2014/0007439 A1 1/2014 Silberberg  
2015/0096182 A1 4/2015 Silberberg  
2015/0308820 A1 10/2015 Silberberg

\* cited by examiner

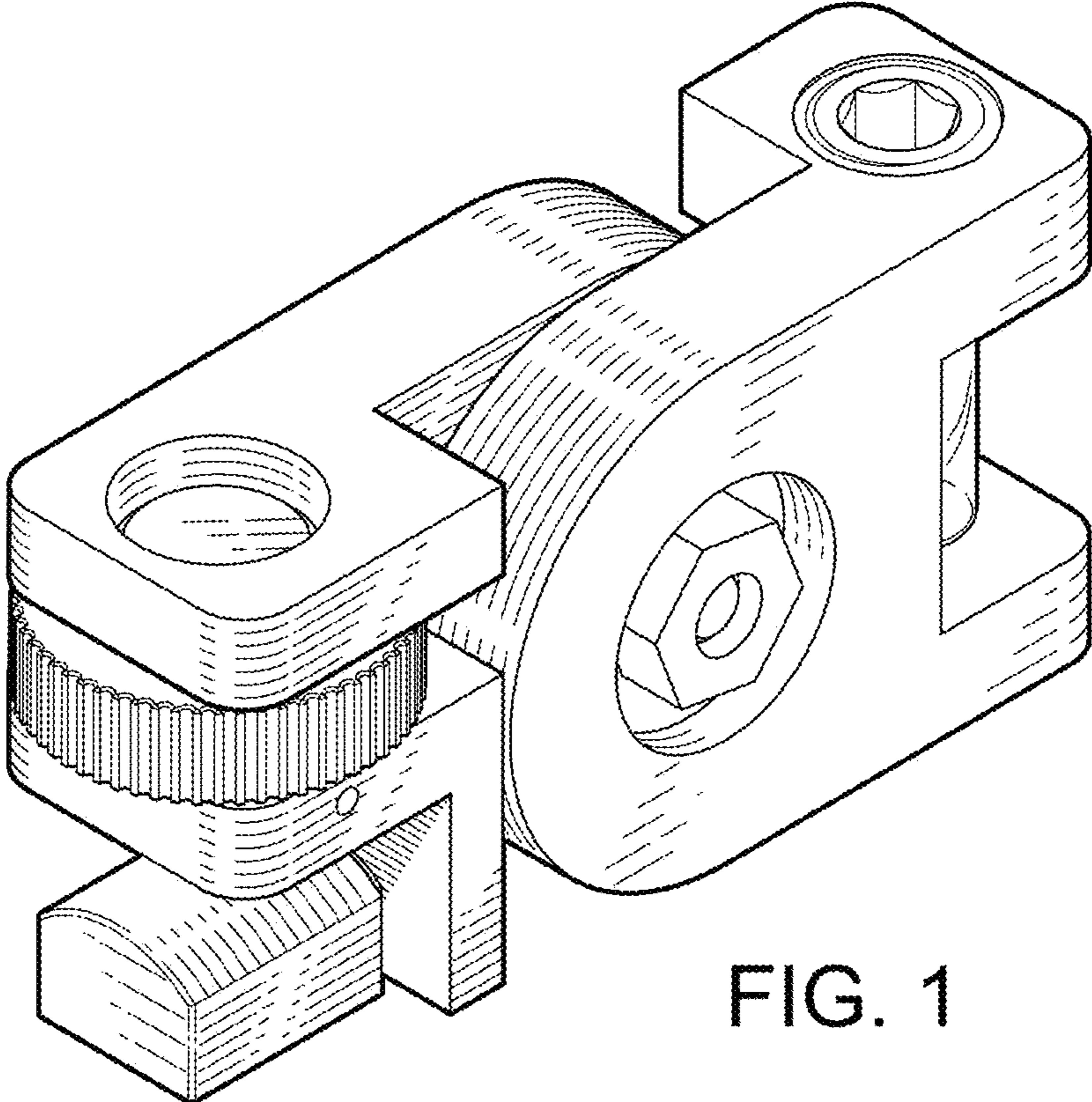


FIG. 1

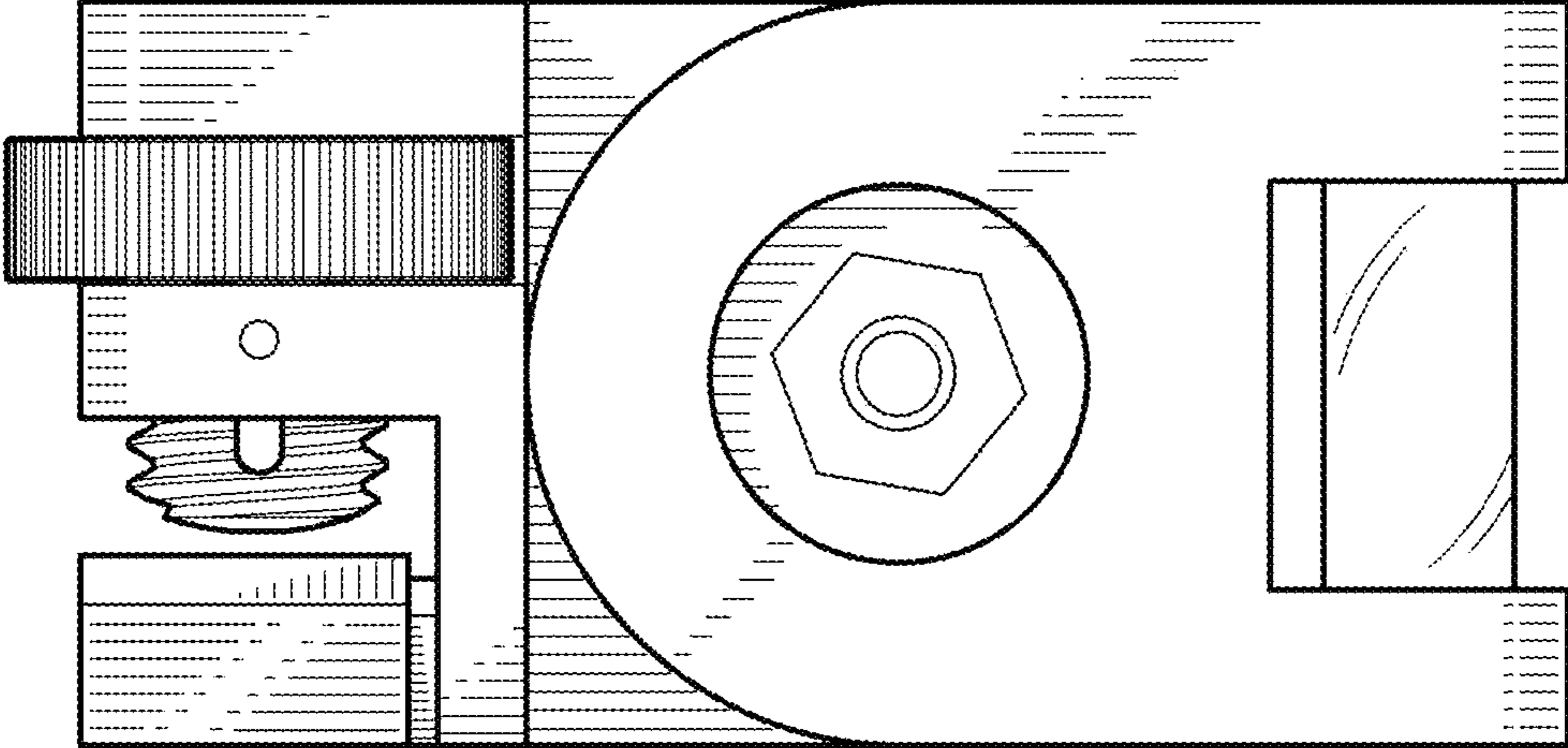


FIG. 2

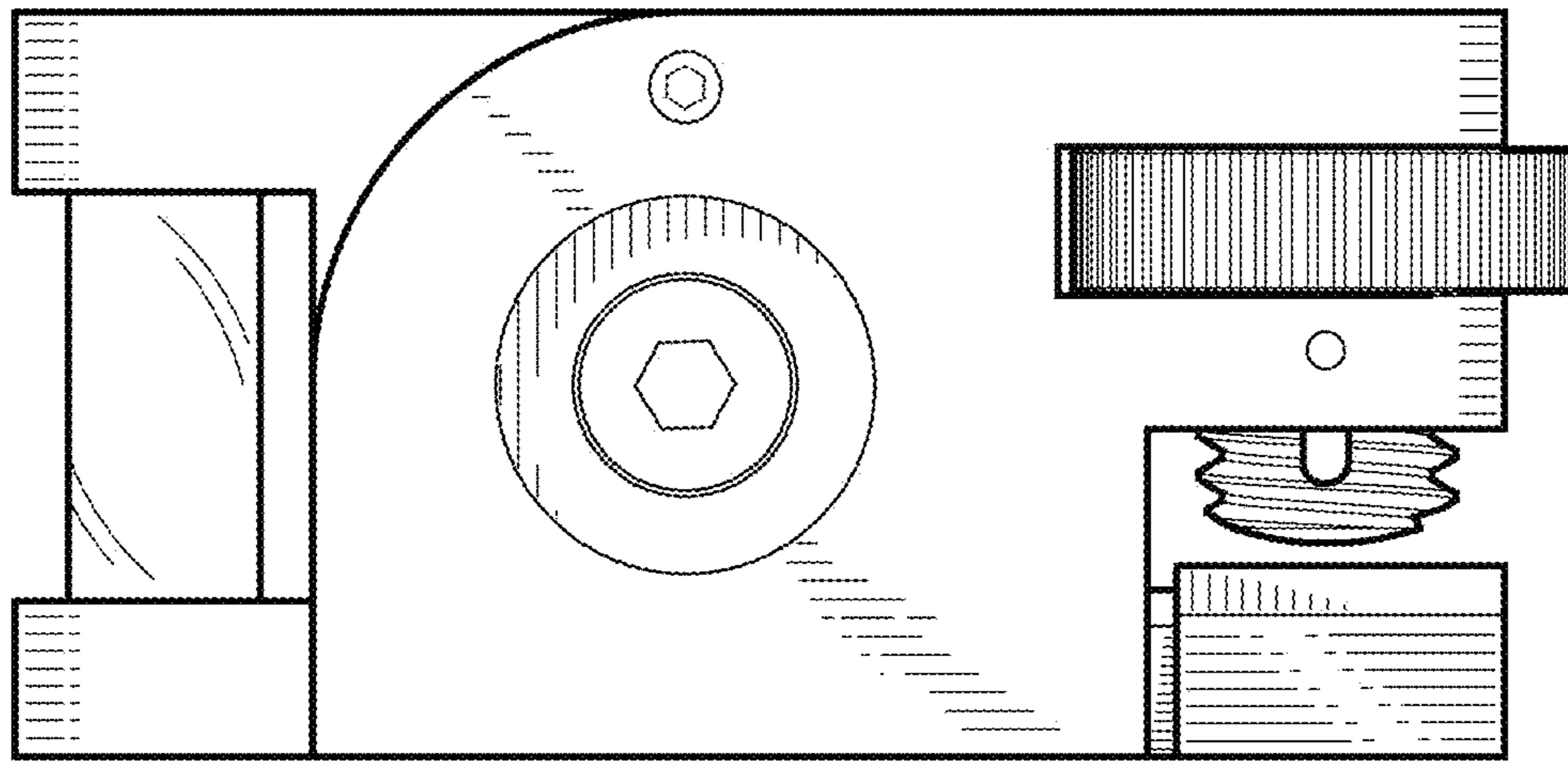


FIG. 3

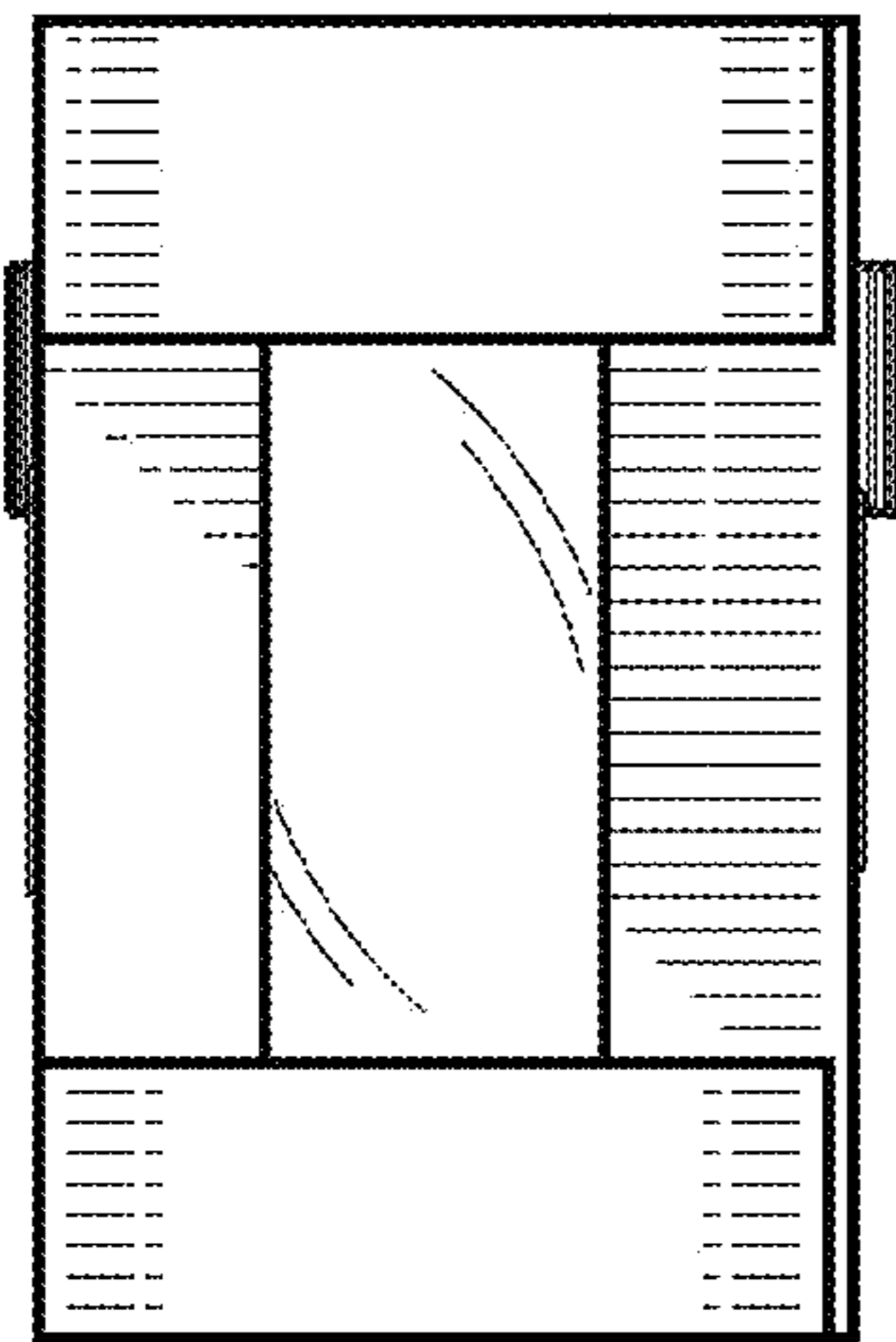


FIG. 4

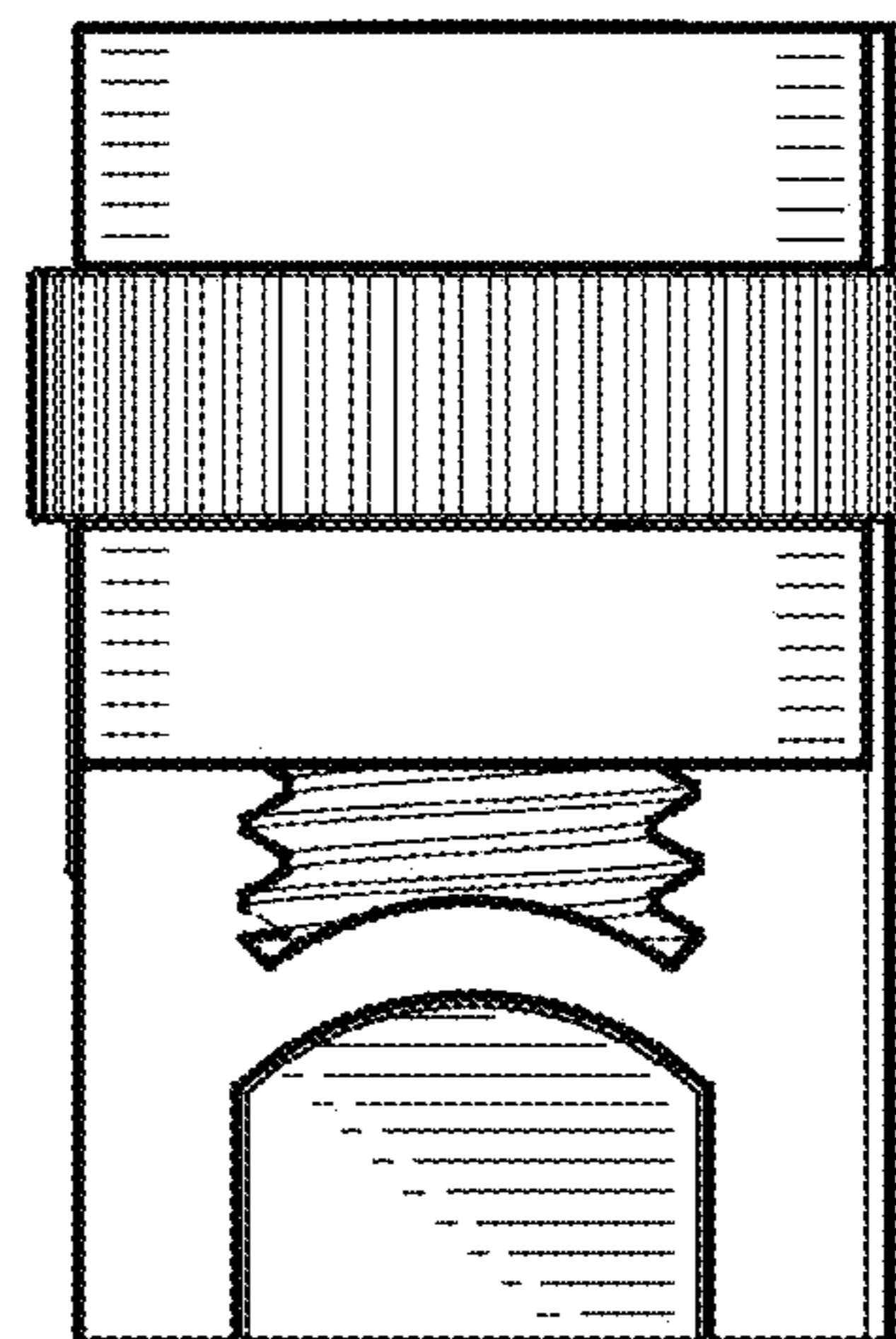


FIG. 5

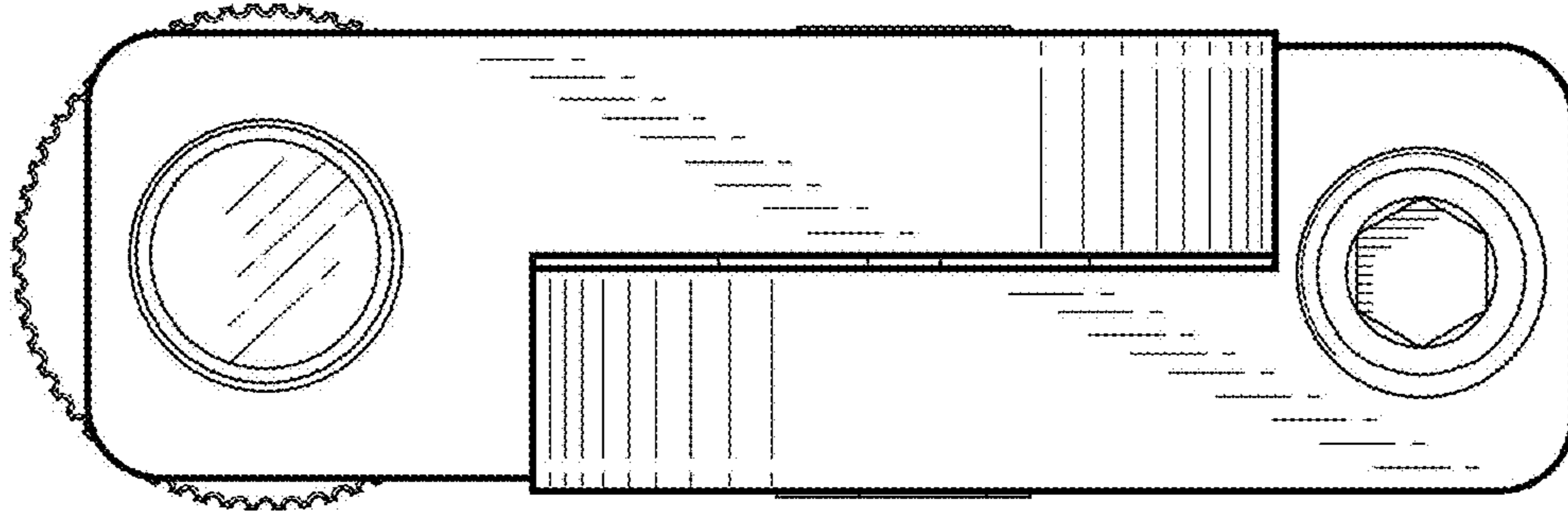


FIG. 6

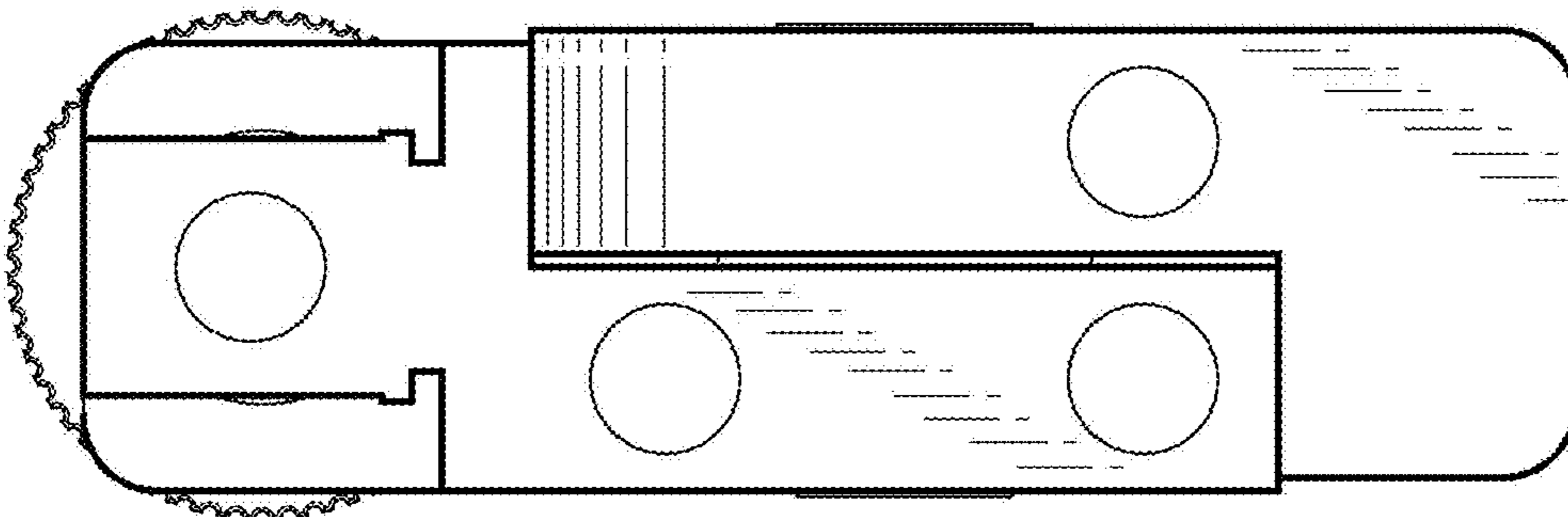


FIG. 7

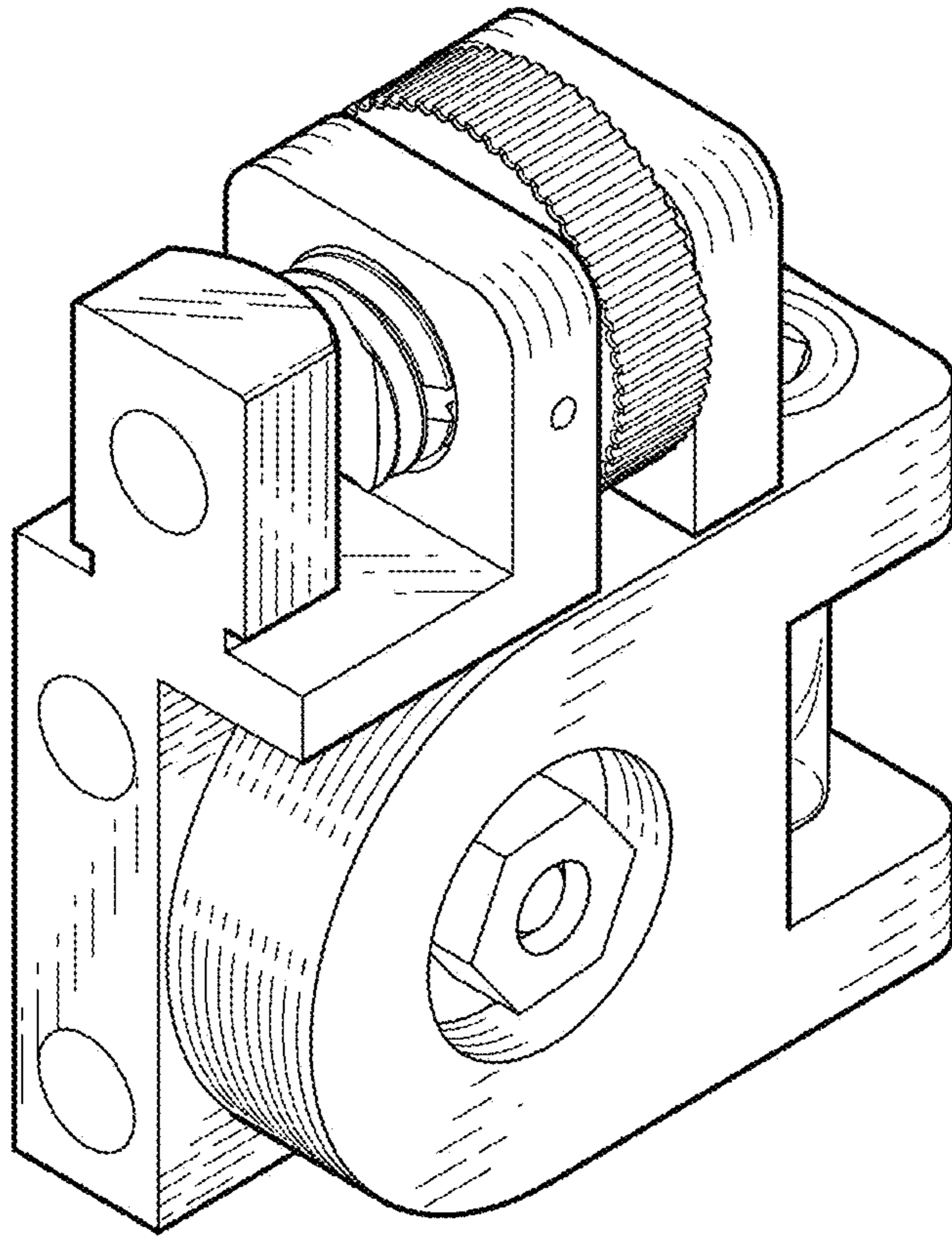


FIG. 8

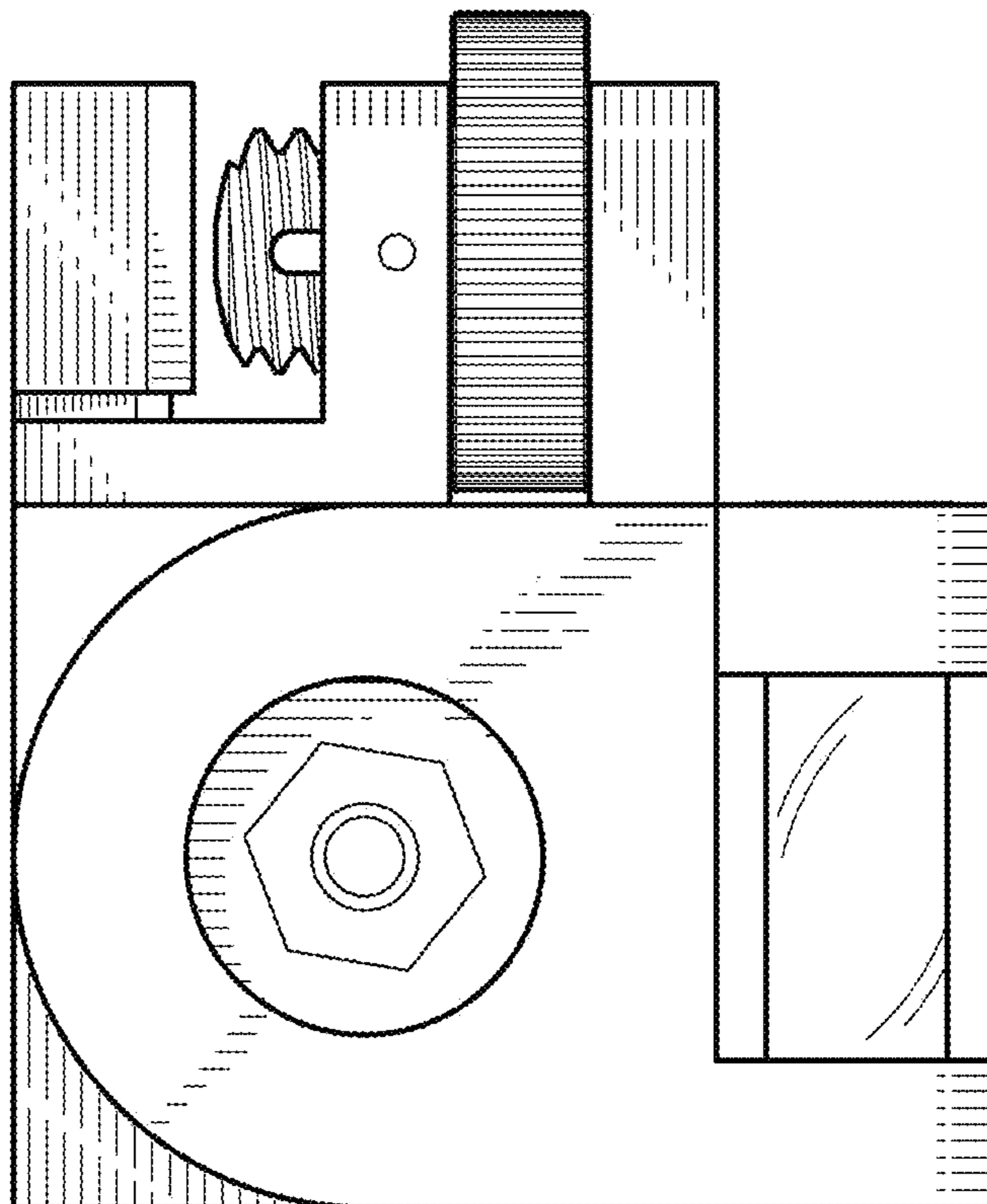


FIG. 9

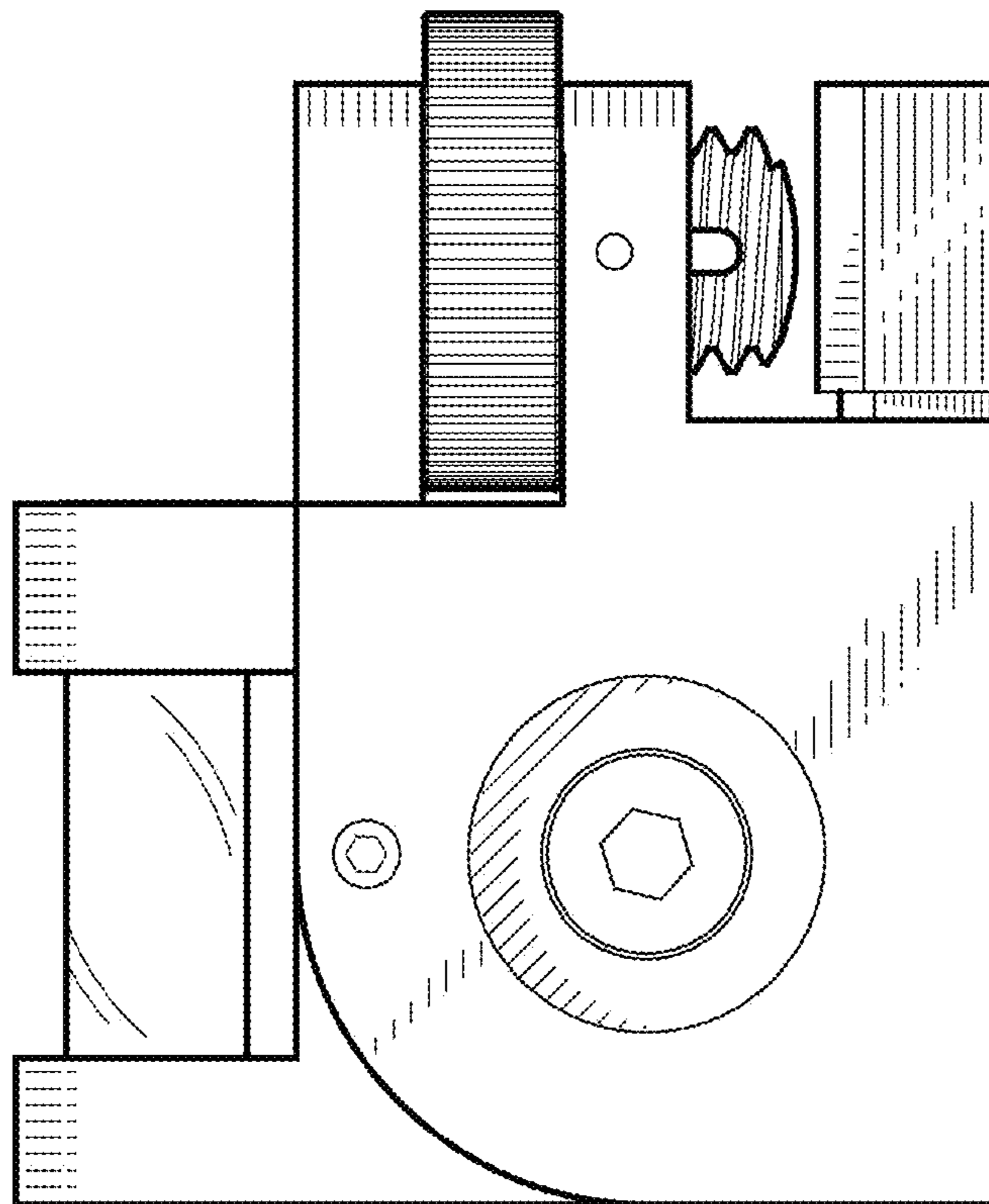


FIG. 10

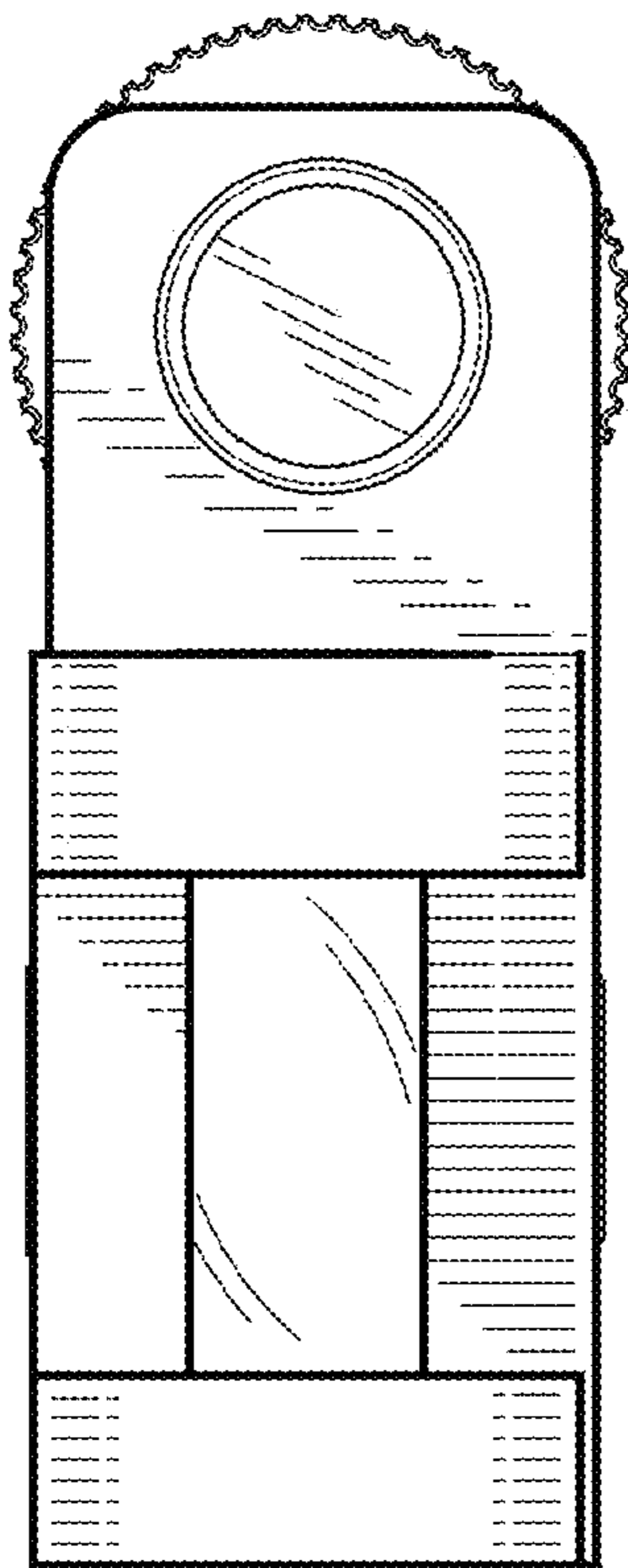


FIG. 11

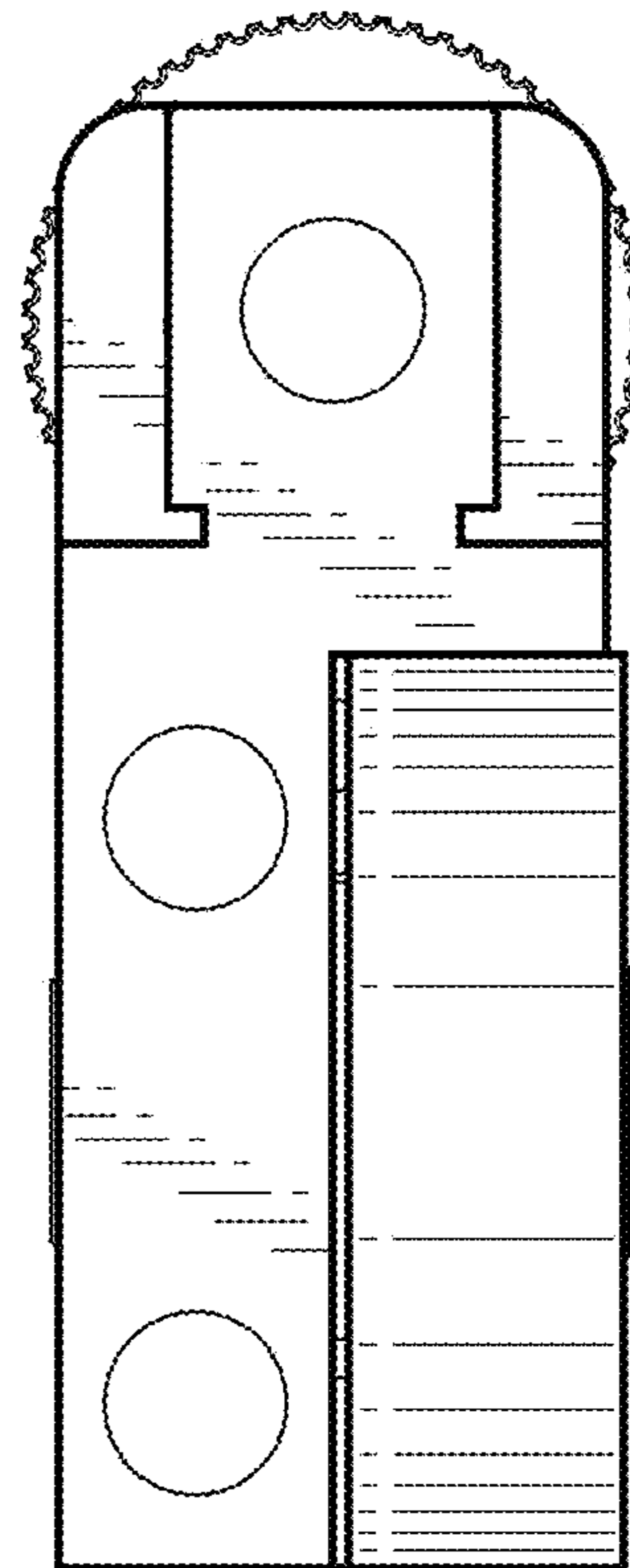


FIG. 12



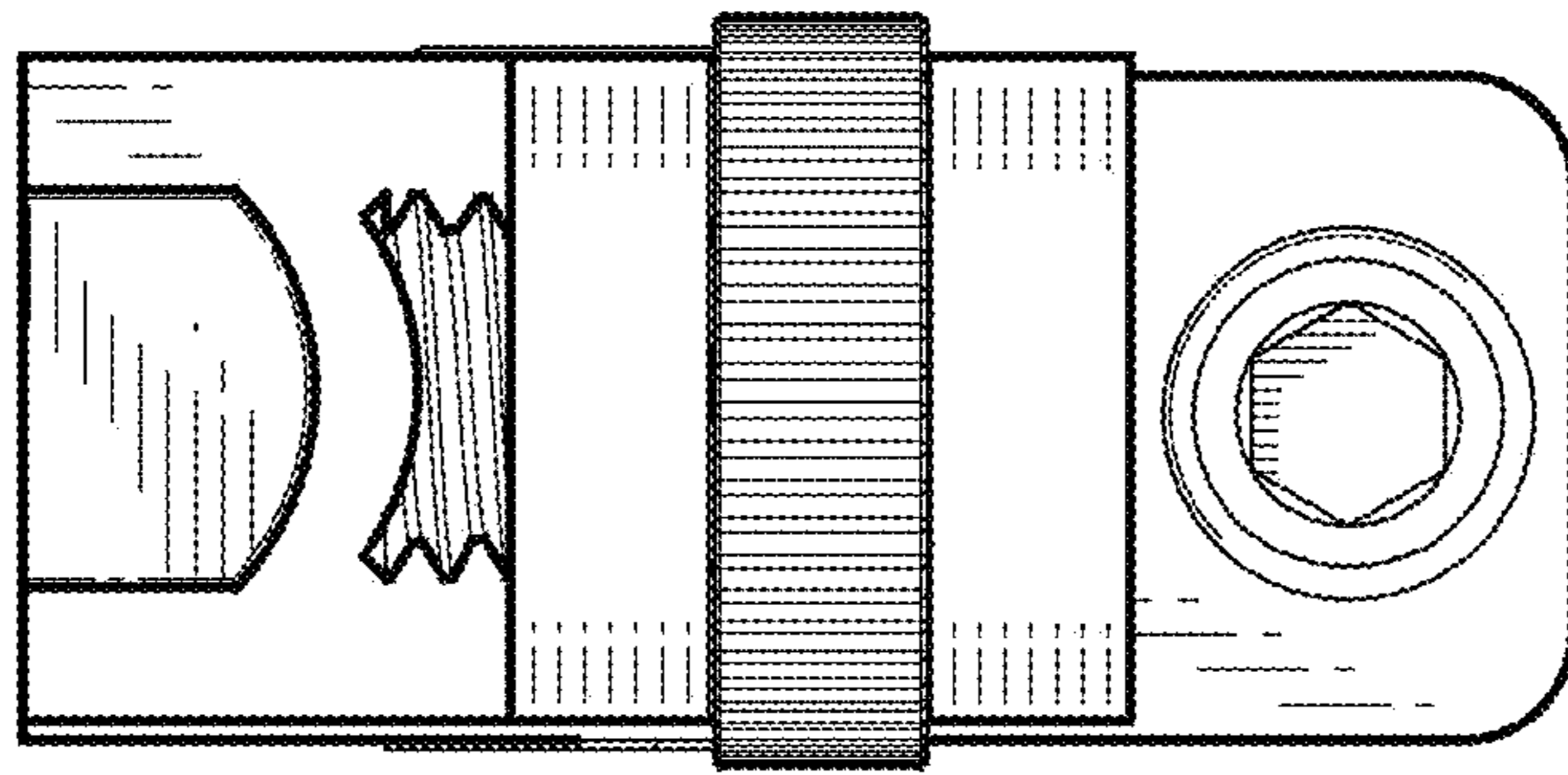


FIG. 13

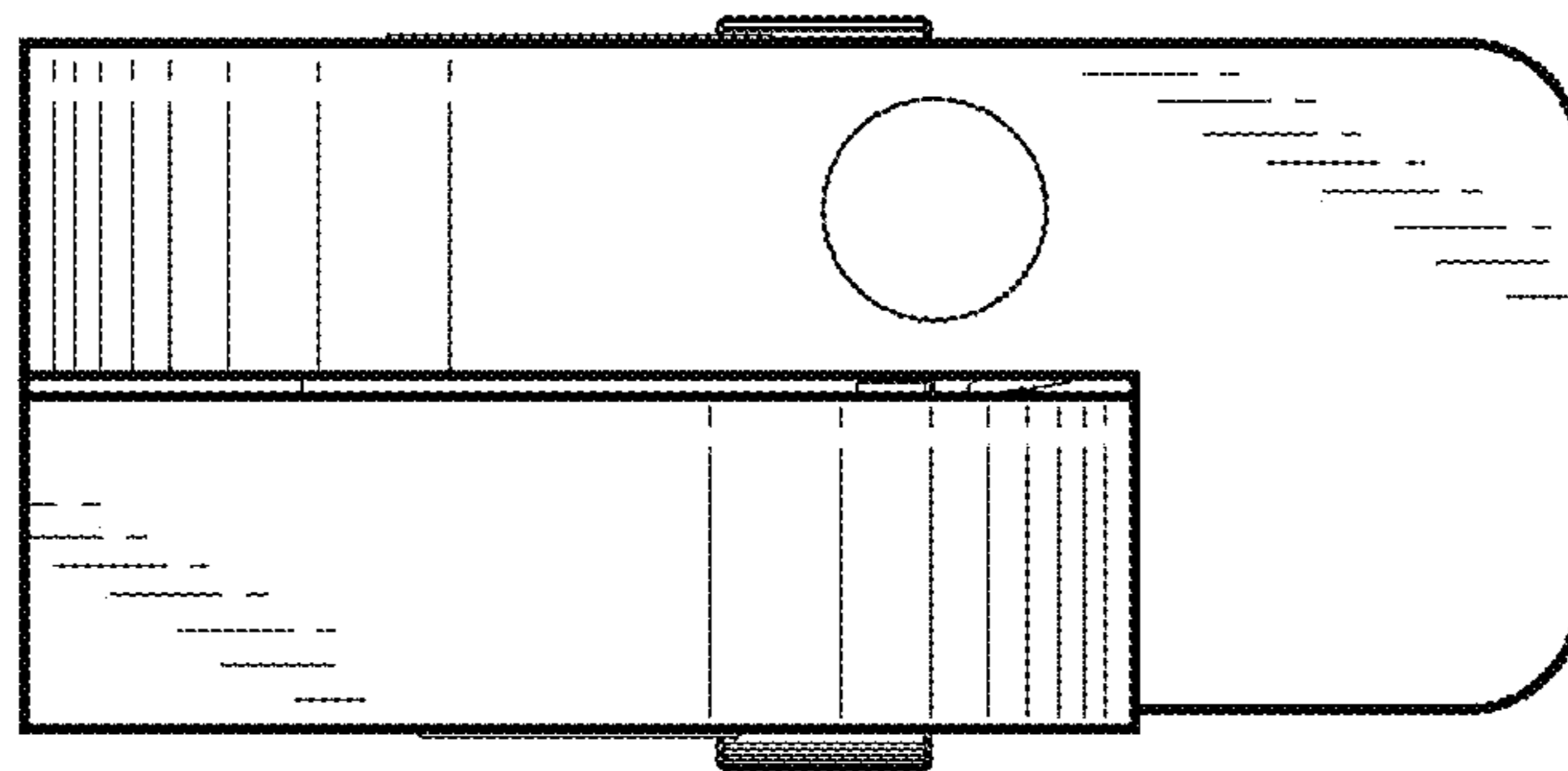


FIG. 14

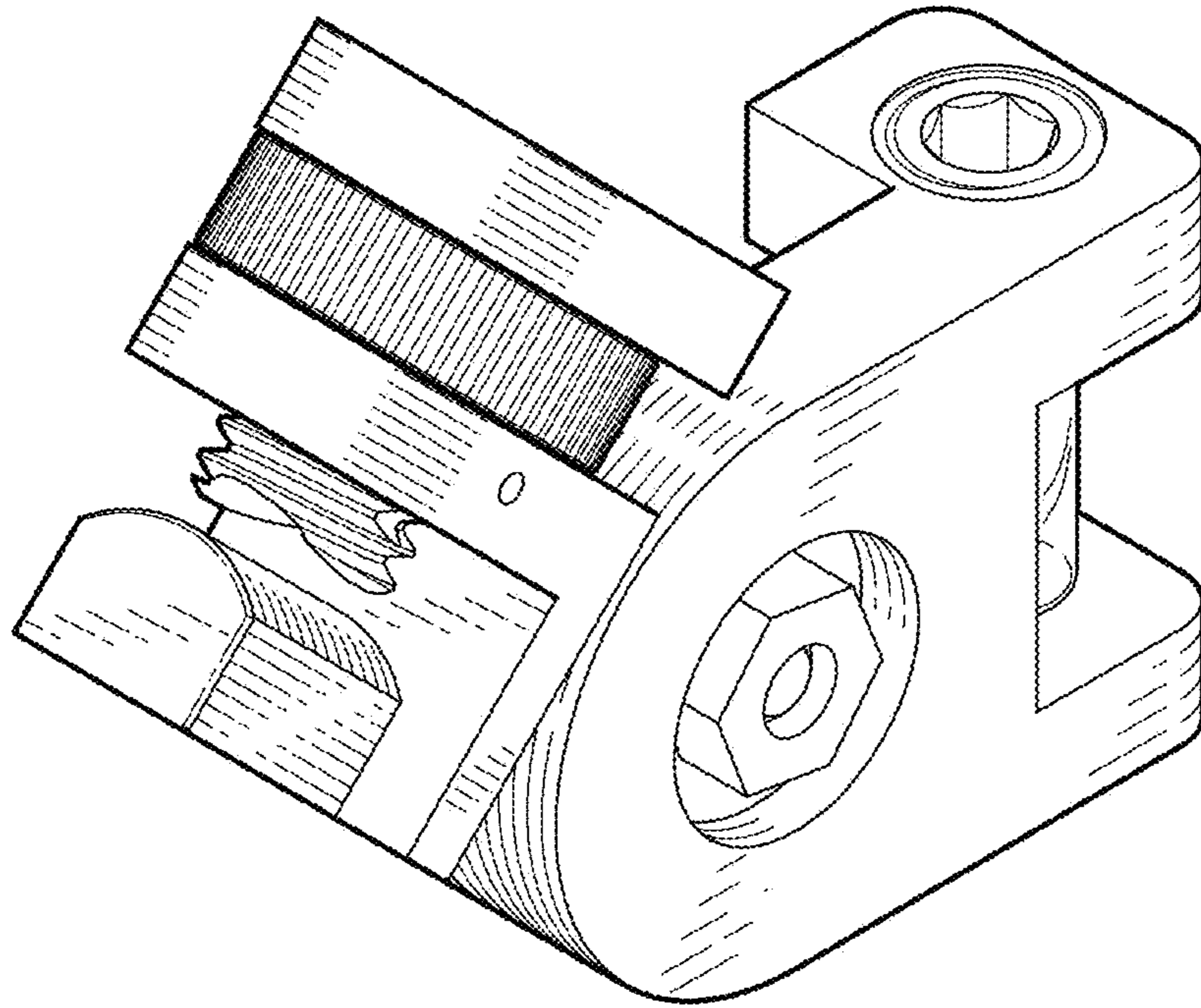


FIG. 15

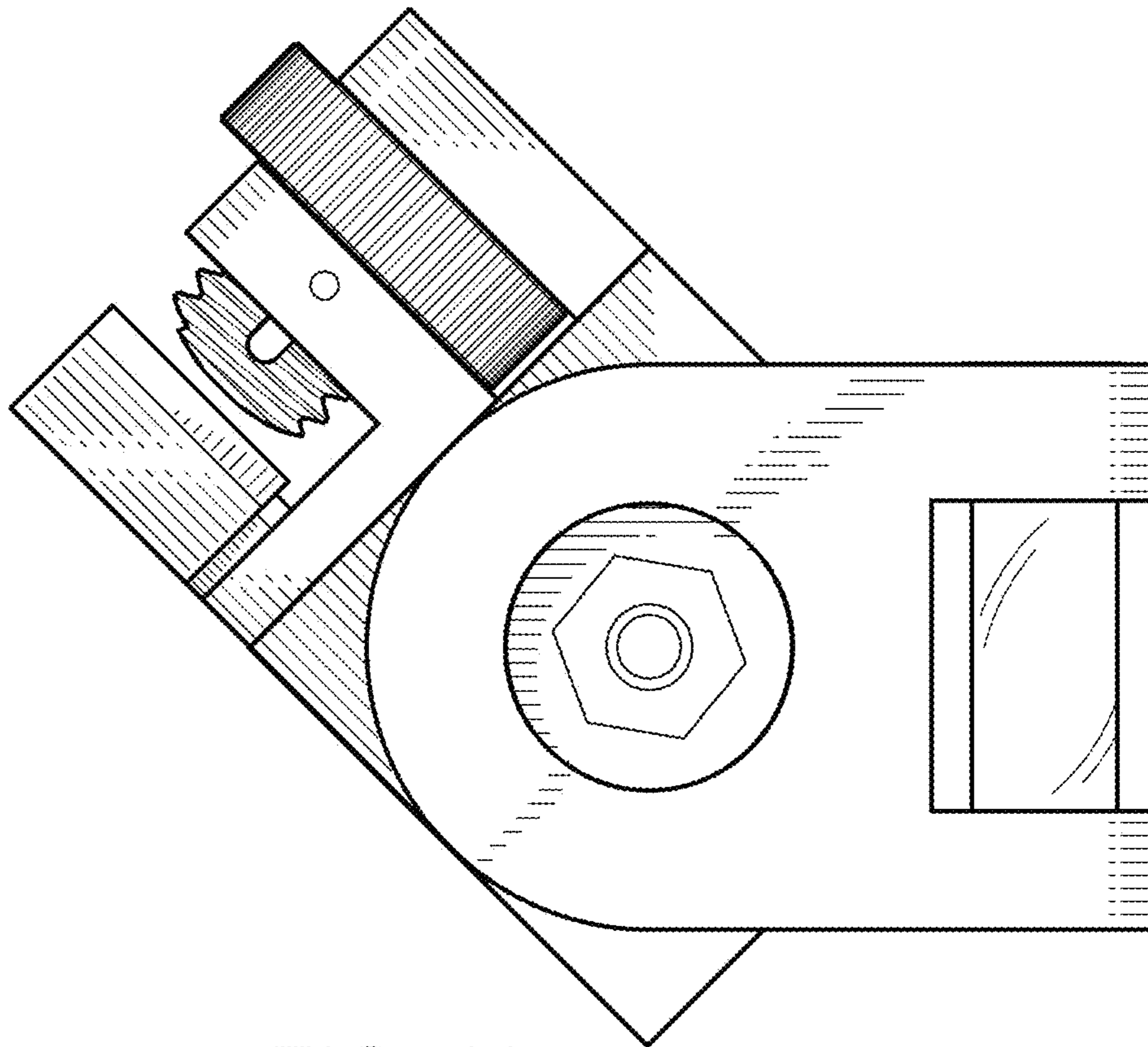
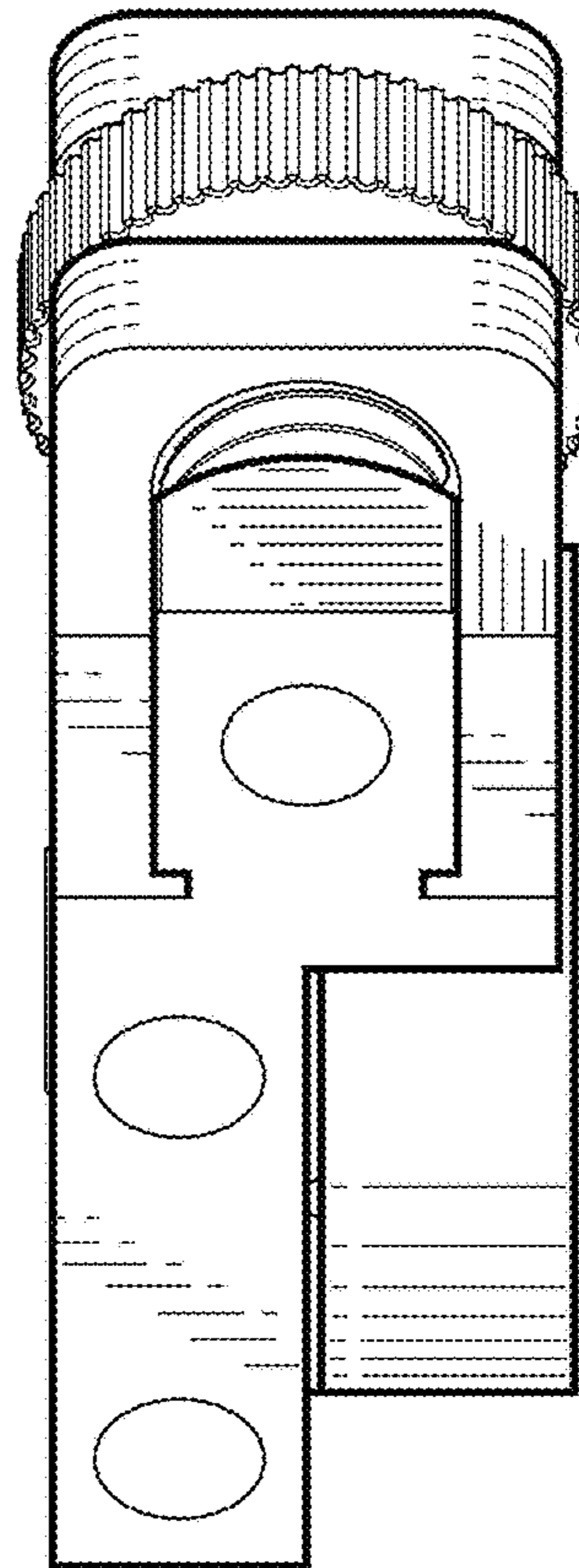
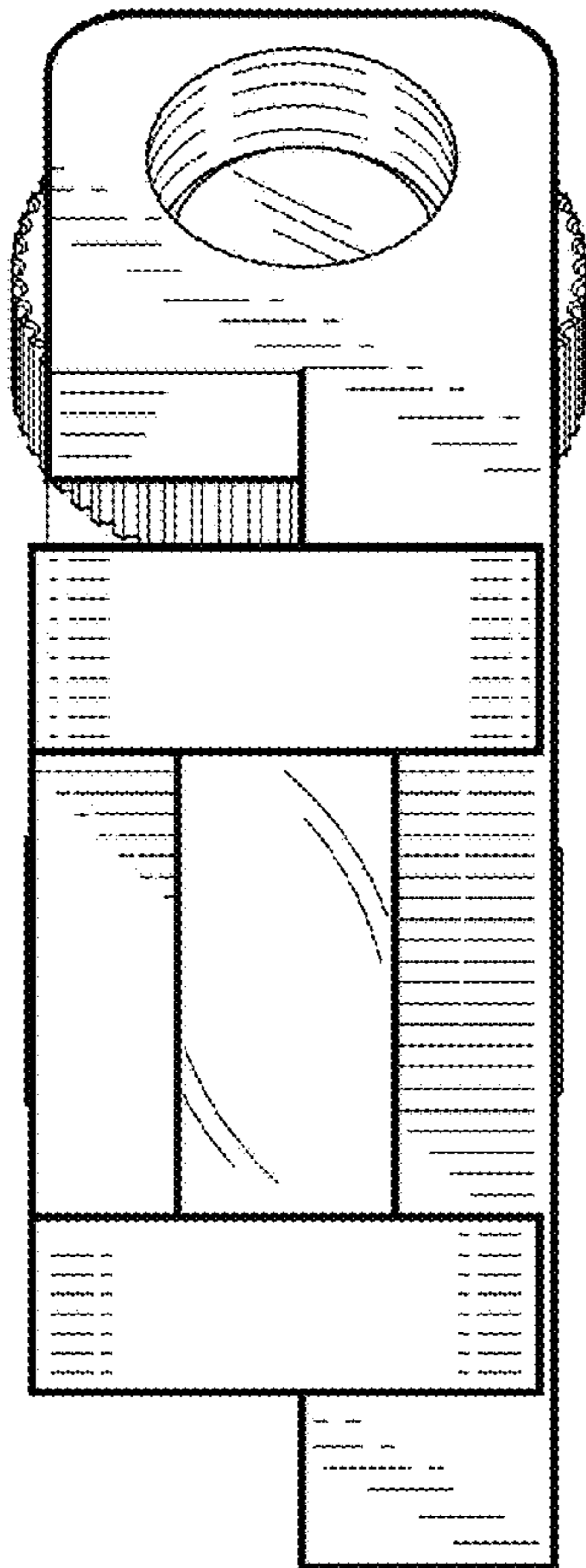
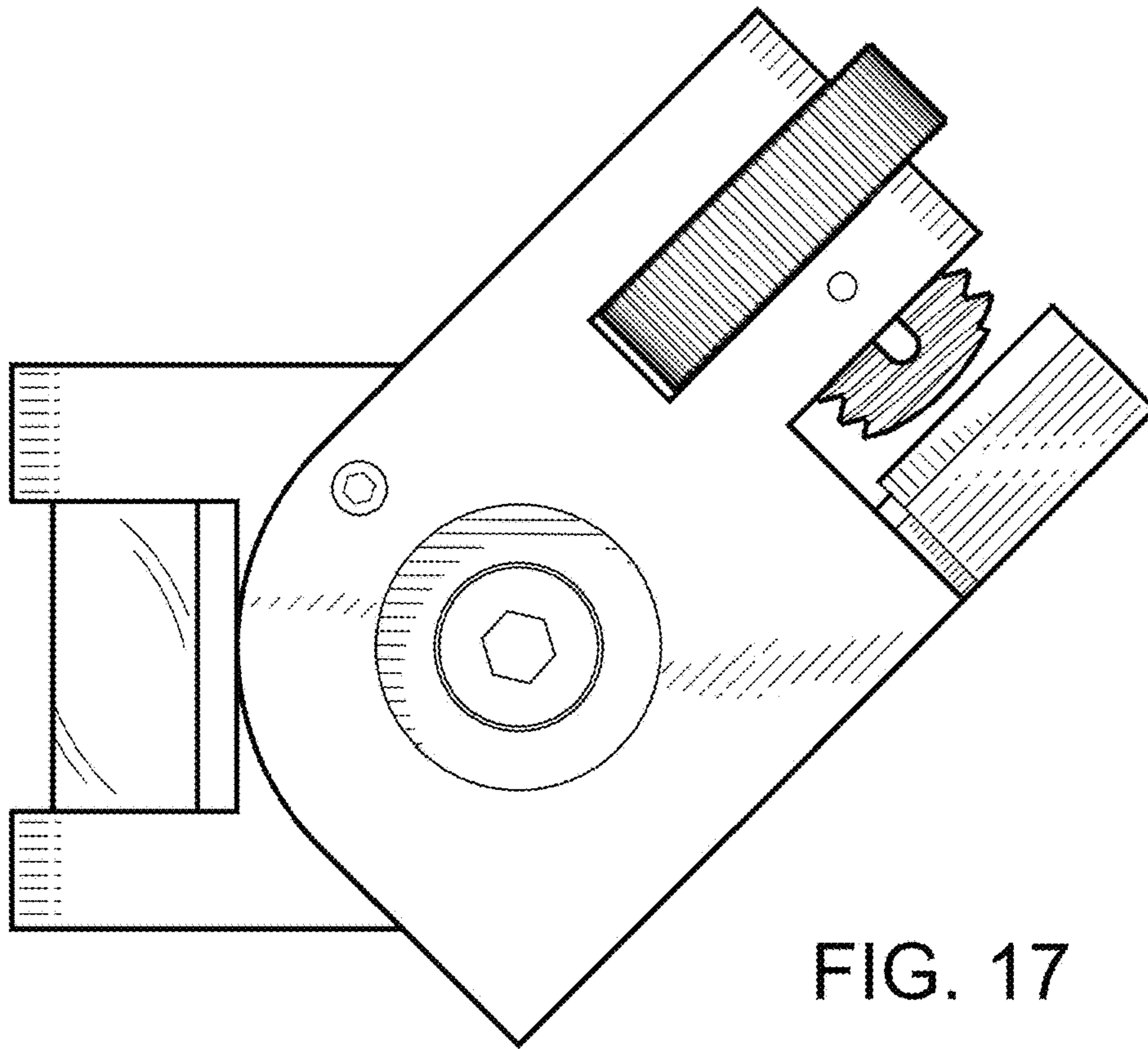


FIG. 16



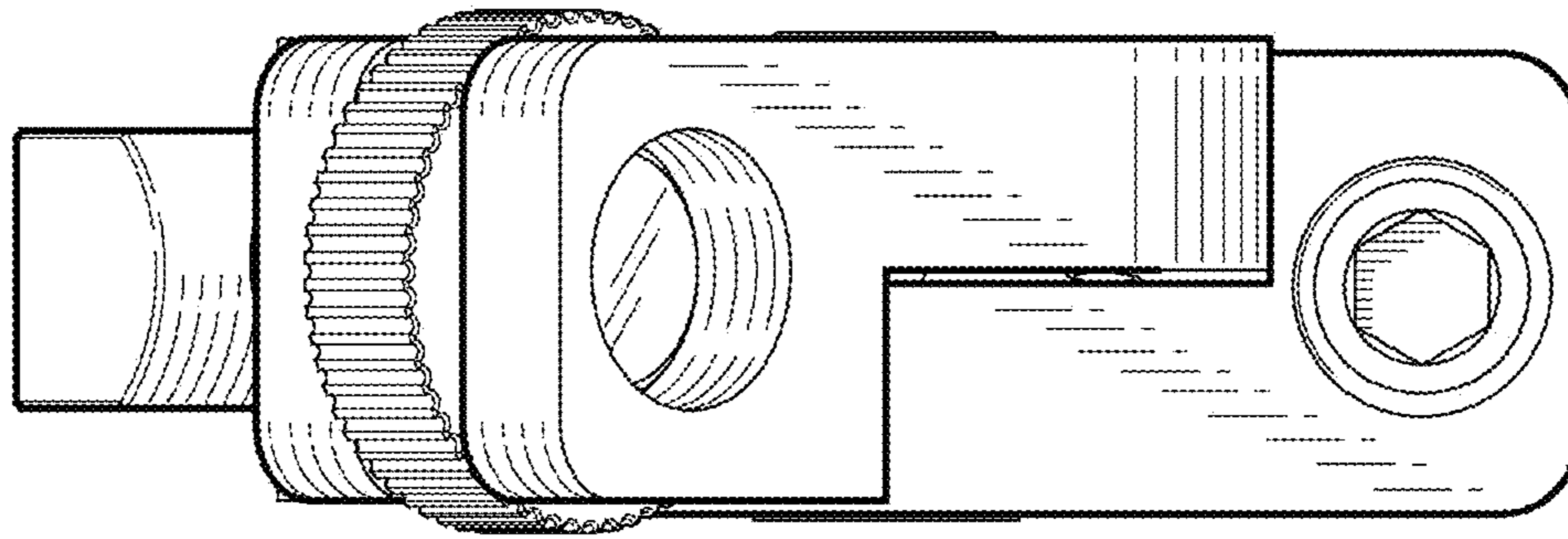


FIG. 20

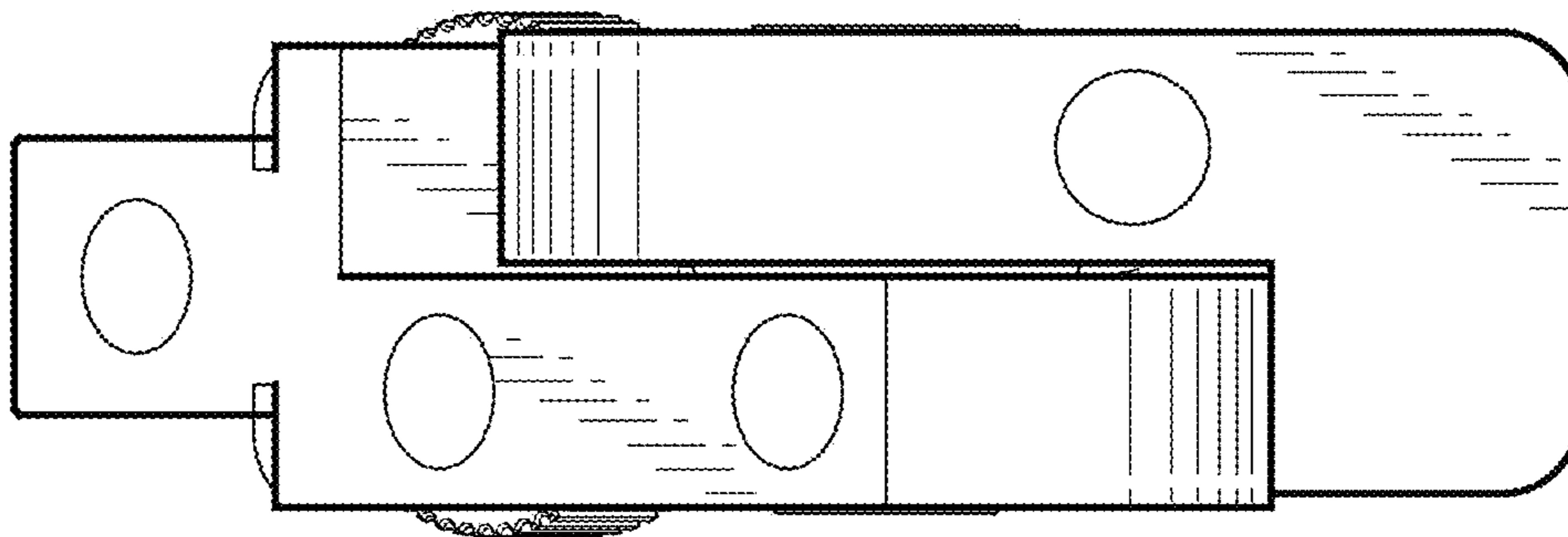


FIG. 21