



US00D902754S

(12) **United States Design Patent**
Mackey et al.

(10) **Patent No.:** **US D902,754 S**

(45) **Date of Patent:** **** Nov. 24, 2020**

(54) **DIGITAL LEVEL**

(71) Applicant: **Milwaukee Electric Tool Corporation**,
Brookfield, WI (US)

(72) Inventors: **Eric Mackey**, Milwaukee, WI (US);
Matthew Leidel, Wind Lake, WI (US)

(73) Assignee: **Milwaukee Electric Tool Corporation**,
Brookfield, WI (US)

(**) Term: **15 Years**

(21) Appl. No.: **29/707,196**

(22) Filed: **Sep. 26, 2019**

Related U.S. Application Data

(62) Division of application No. 29/645,716, filed on Apr. 27, 2018, now Pat. No. Des. 867,910.

(51) **LOC (12) Cl.** **10-04**

(52) **U.S. Cl.**
USPC **D10/69**

(58) **Field of Classification Search**

USPC D10/69
CPC ... G01C 9/24; G01C 9/26; G01C 9/28; G01C 9/30; G01C 9/32; G01C 9/34; G01C 9/36; G01C 15/00; G01C 15/002; G01C 15/004; G01C 15/006; G01C 15/008; G01C 15/02; G01C 15/04; G01C 15/06; G01C 15/08; G01C 15/10; G01C 15/105; G01C 15/12; G01C 15/14

See application file for complete search history.

(56) **References Cited**

U.S. PATENT DOCUMENTS

4,167,818 A 9/1979 Cantarella
4,244,117 A 1/1981 Cantarella
4,503,622 A 3/1985 Swartz et al.

7,610,689 B1 11/2009 Zhang
7,743,520 B1 6/2010 Jiorle
9,052,191 B1 6/2015 Keate
9,528,827 B2 12/2016 Carniato
D840,848 S * 2/2019 Wang D10/70
2014/0101950 A1 4/2014 Zhuang
2016/0054124 A1 2/2016 Schaefer
2016/0084648 A1 3/2016 Zhuang
2019/0226845 A1* 7/2019 Leidel G01C 9/00

FOREIGN PATENT DOCUMENTS

CN 2509562 9/2002
CN 1414342 4/2003
CN 201100842 8/2008

(Continued)

Primary Examiner — Antoine Duval Davis

(74) *Attorney, Agent, or Firm* — Reinhart Boerner Van Deuren s.c.

(57) **CLAIM**

We claim the ornamental design for a digital level, as shown and described.

DESCRIPTION

FIG. 1 is a perspective view from above of an embodiment of the claimed design;

FIG. 2 is a perspective view from below of the claimed design of FIG. 1;

FIG. 3 is a front view of the claimed design of FIG. 1;

FIG. 4 is a back view of the claimed design of FIG. 1;

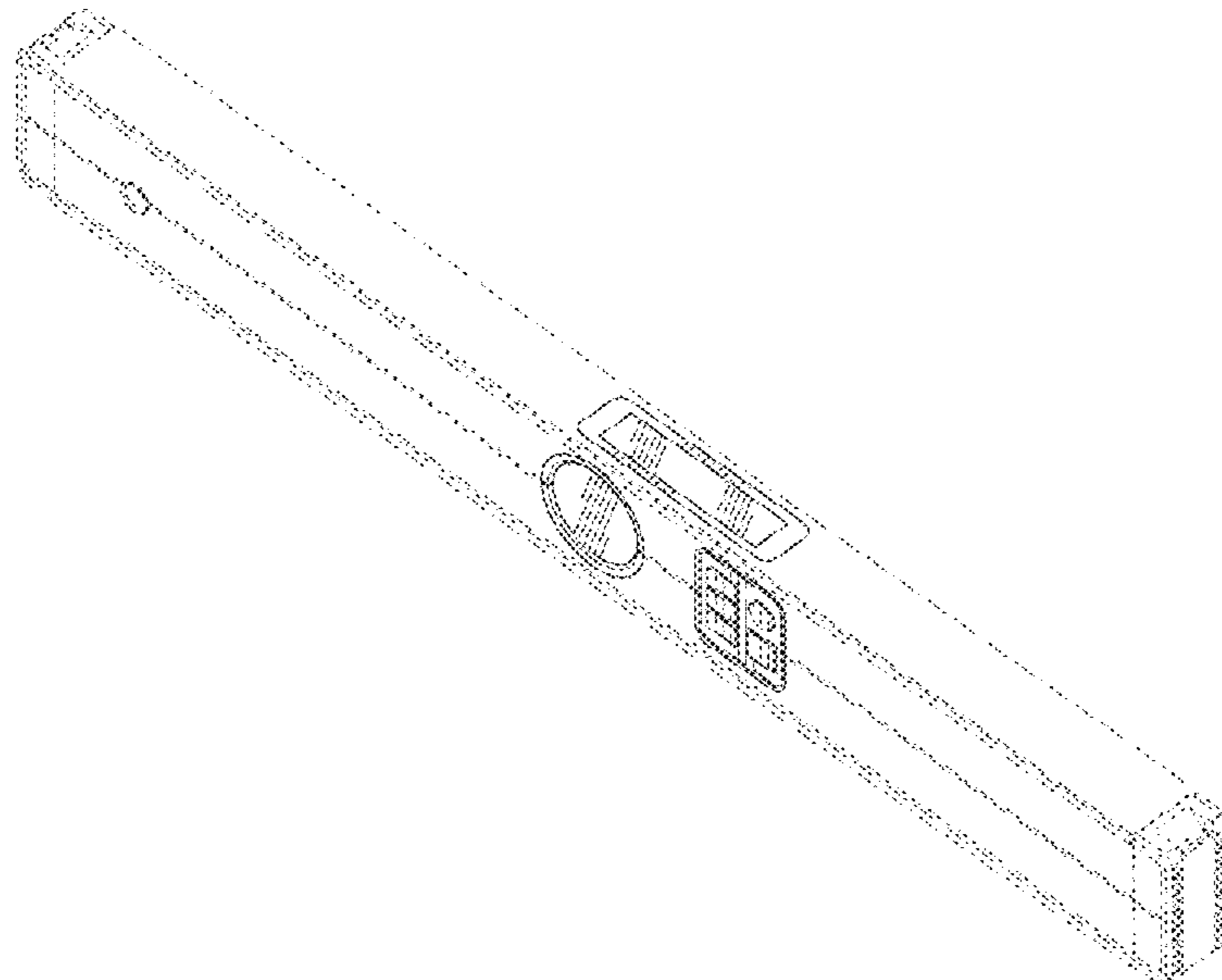
FIG. 5 is a top view of the claimed design of FIG. 1;

FIG. 6 is a bottom view of the claimed design of FIG. 1;

FIG. 7 is a right view of the claimed design of FIG. 1; and, FIG. 8 is a left view of the claimed design of FIG. 1.

The ornamental design which is claimed is shown in solid lines in the drawings. The broken lines in the drawings are for illustrative purposes only and form no part of the claimed design.

1 Claim, 5 Drawing Sheets



(56)

References Cited

FOREIGN PATENT DOCUMENTS

| | | |
|----|-----------|---------|
| CN | 201885708 | 6/2011 |
| CN | 202471057 | 10/2012 |
| CN | 202501845 | 10/2012 |
| CN | 203132538 | 8/2013 |
| CN | 104132648 | 11/2014 |
| CN | 204115720 | 1/2015 |
| CN | 204165551 | 2/2015 |
| CN | 204461420 | 7/2015 |
| CN | 204718594 | 10/2015 |
| CN | 205014978 | 2/2016 |
| CN | 205192481 | 4/2016 |
| CN | 205449051 | 8/2016 |
| CN | 205940343 | 2/2017 |
| CN | 205957966 | 2/2017 |
| CN | 206019641 | 3/2017 |
| CN | 206223068 | 6/2017 |
| DE | 3735172 | 2/1990 |
| WO | WO9415174 | 7/1994 |

* cited by examiner

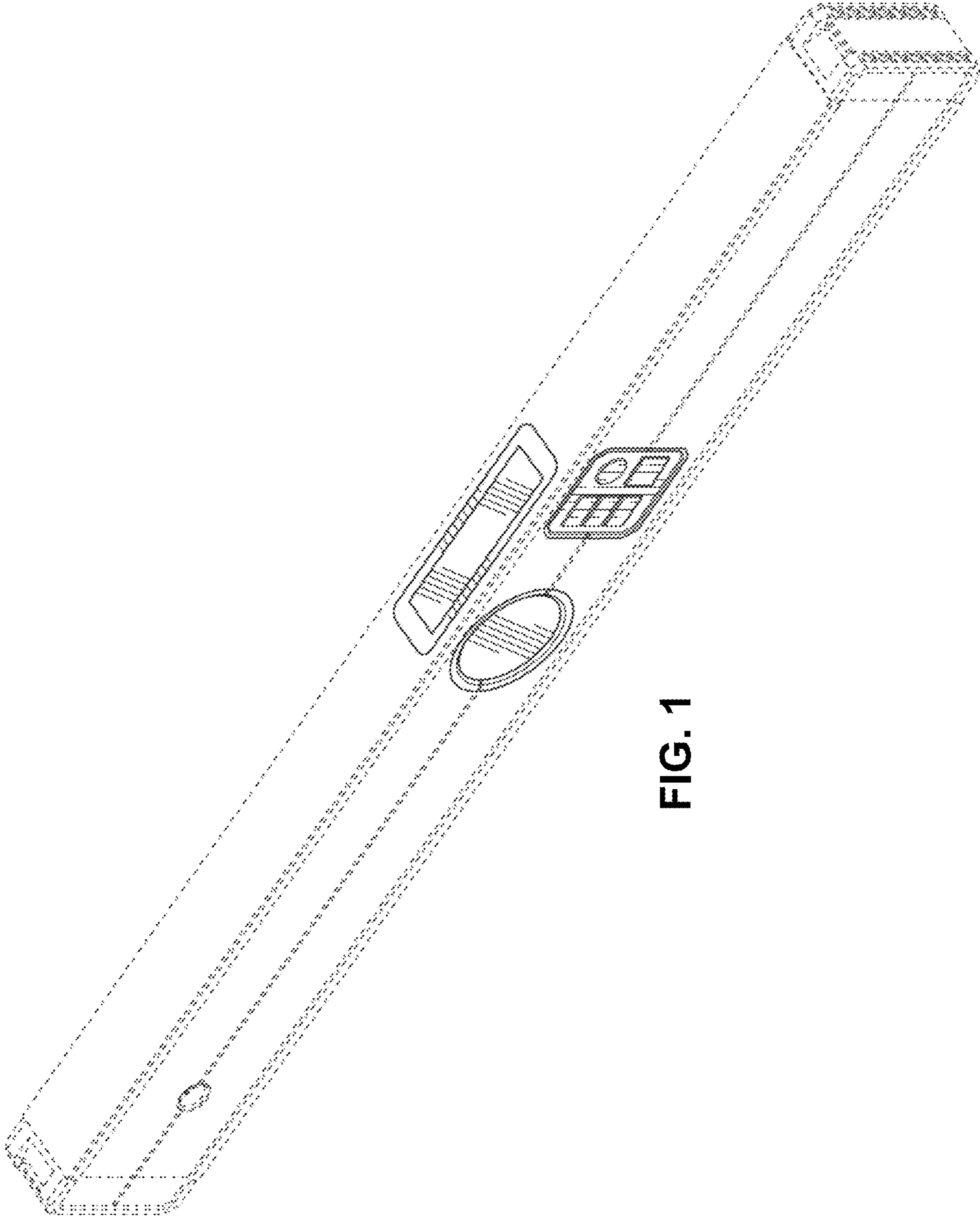


FIG. 1

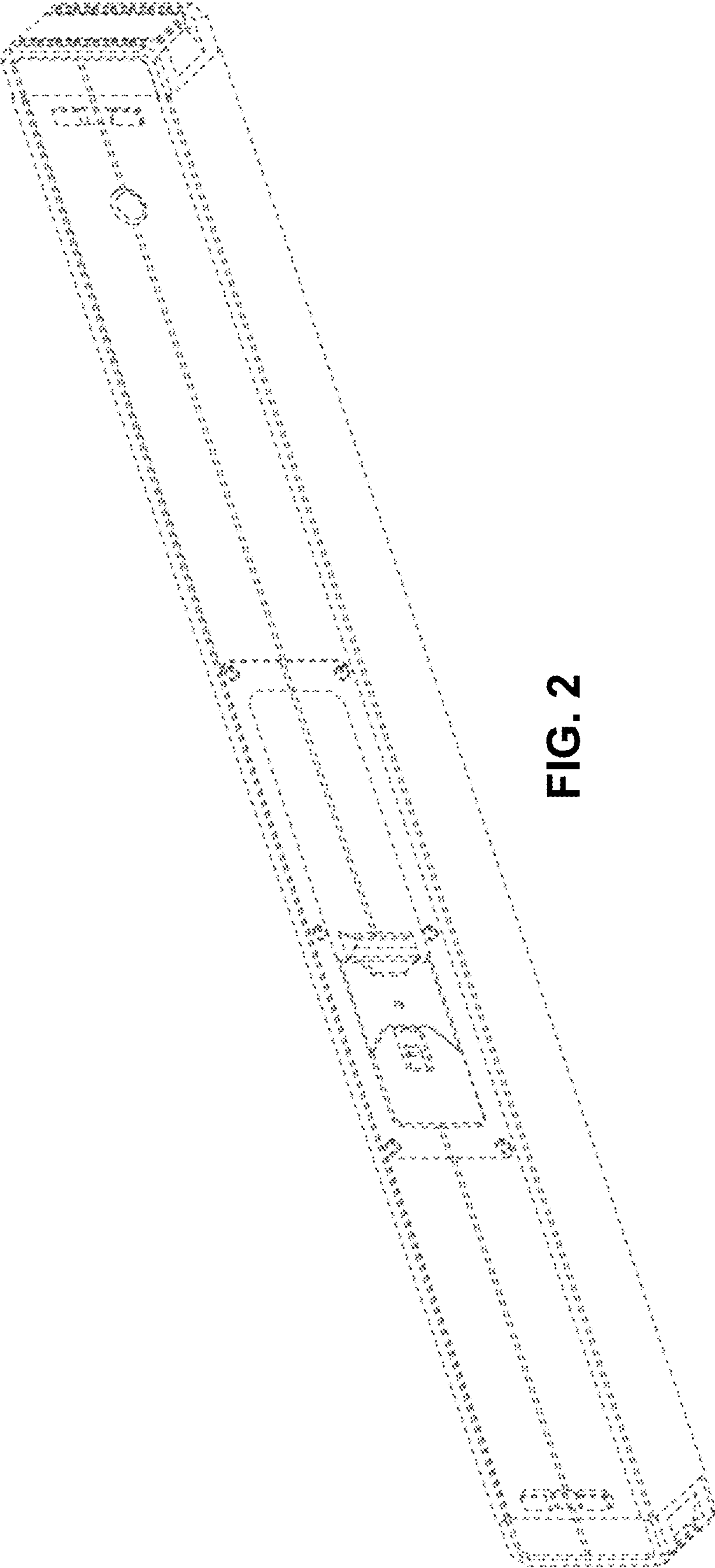


FIG. 2

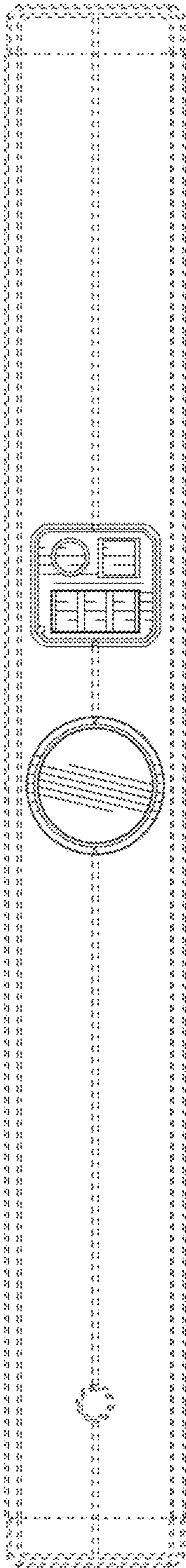


FIG. 3

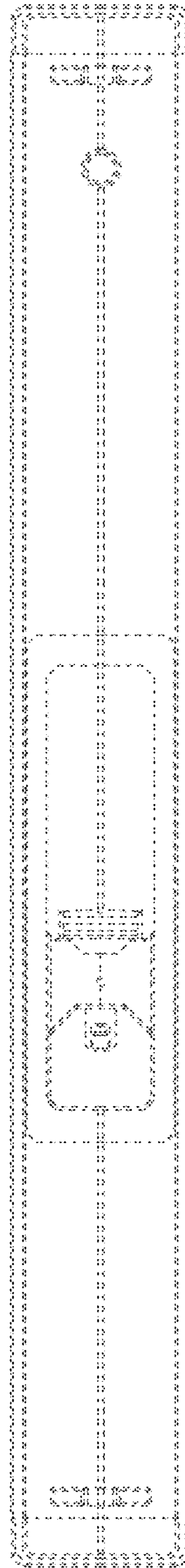


FIG. 4

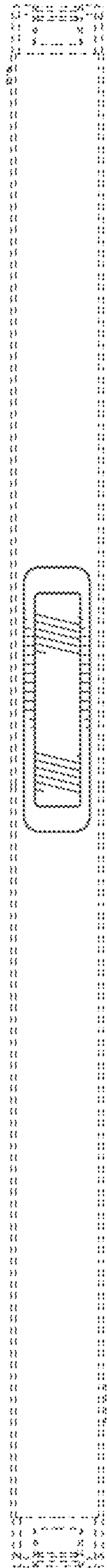


FIG. 5

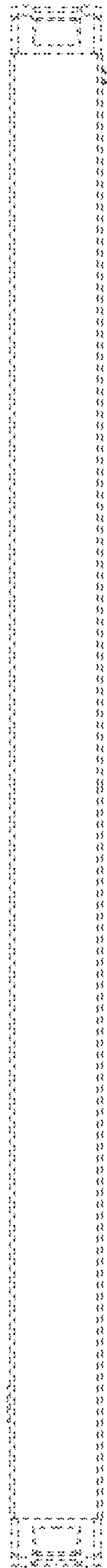


FIG. 6

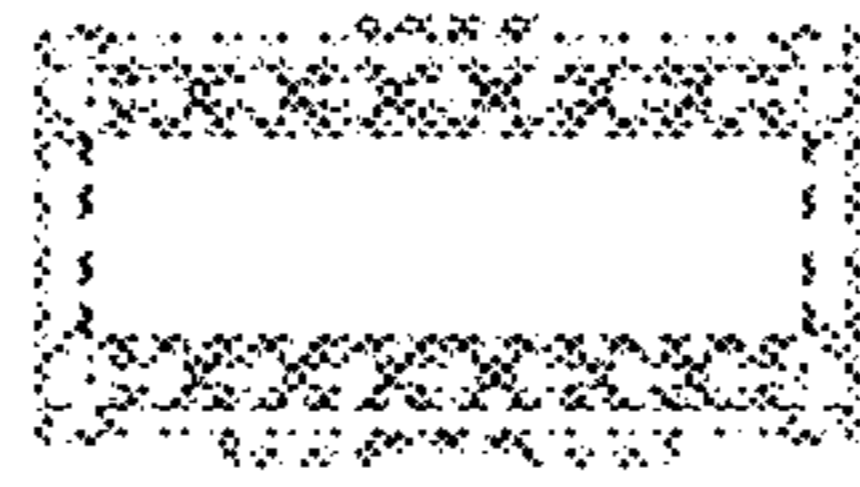


FIG. 8

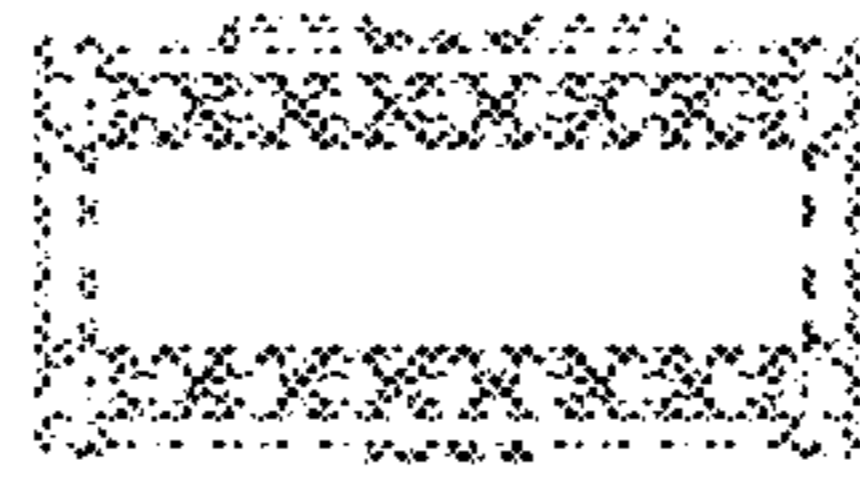


FIG. 7