



US00D902752S

(12) **United States Design Patent** (10) **Patent No.:** **US D902,752 S**
Clyne et al. (45) **Date of Patent:** **** Nov. 24, 2020**

(54) **SENSOR HOUSING FOR USE WITH POST TOP LUMINAIRES**

(56) **References Cited**

U.S. PATENT DOCUMENTS

(71) Applicant: **UBICQUIA IQ LLC**, Fort Lauderdale, FL (US)

D744,355 S	*	12/2015	Liu	D10/66
D749,975 S	*	2/2016	Hoßbach	D10/114.2
D762,504 S	*	8/2016	Senba	D10/81
D769,744 S	*	10/2016	Kelley	D10/66
D773,330 S	*	12/2016	Dietz	D10/106.5
D773,995 S	*	12/2016	Jabaji	D13/112
D781,943 S	*	3/2017	Ries	D15/148
D785,070 S	*	4/2017	Mistry	D16/207
D798,930 S	*	10/2017	Macmillan	D16/202
D803,288 S	*	11/2017	Ham	D16/202
D814,326 S	*	4/2018	Puscasu	D10/104.1
D816,518 S	*	5/2018	Brown	E06B 9/24

(72) Inventors: **Thomas Clyne**, East Cleveland, OH (US); **Thomas Alexander Knapp**, Cleveland, OH (US); **Jonathan Robert Meyer**, Shaker Heights, OH (US); **Koushik Babi Saha**, Strongsville, OH (US); **Anirudha R. Deshpande**, Cleveland Heights, OH (US)

D820,955 S * 6/2018 Ito D23/235

(73) Assignee: **Ubicquia IQ LLC**, Fort Lauderdale, FL (US)

(Continued)

(**) Term: **15 Years**

Primary Examiner — Michael C Stout

Assistant Examiner — Fritzgerald L Butac

(21) Appl. No.: **29/654,238**

(74) *Attorney, Agent, or Firm* — Seed IP Law Group LLP; Jared M. Barrett

(22) Filed: **Jun. 21, 2018**

(57) **CLAIM**

We claim the ornamental design for a sensor housing for use with post top luminaires, as shown and described.

Related U.S. Application Data

DESCRIPTION

(63) Continuation of application No. 29/568,212, filed on Jun. 16, 2016, now abandoned.

(51) **LOC (12) Cl.** **10-07**

FIG. 1 is a top perspective view of a sensor housing for use with post top luminaires in accordance with the present design;

(52) **U.S. Cl.**
USPC **D10/46**

FIG. 2 is a front view thereof;

(58) **Field of Classification Search**

USPC D10/46, 46.3, 53, 60, 65, 70, 104.1, D10/106.1, 106.5, 106.6; D13/184; D15/7-9, 9.1, 9.2, 144, 199; D23/200, D23/213, 225, 231, 232, 235, 242, 246, D23/318, 319; D24/232; D99/99
CPC . H05B 37/0227; H05B 37/0281; F21S 8/035; F21V 23/0442; Y02B 20/44; Y02B 20/46
See application file for complete search history.

FIG. 3 is a left side view thereof;

FIG. 4 is a rear view thereof;

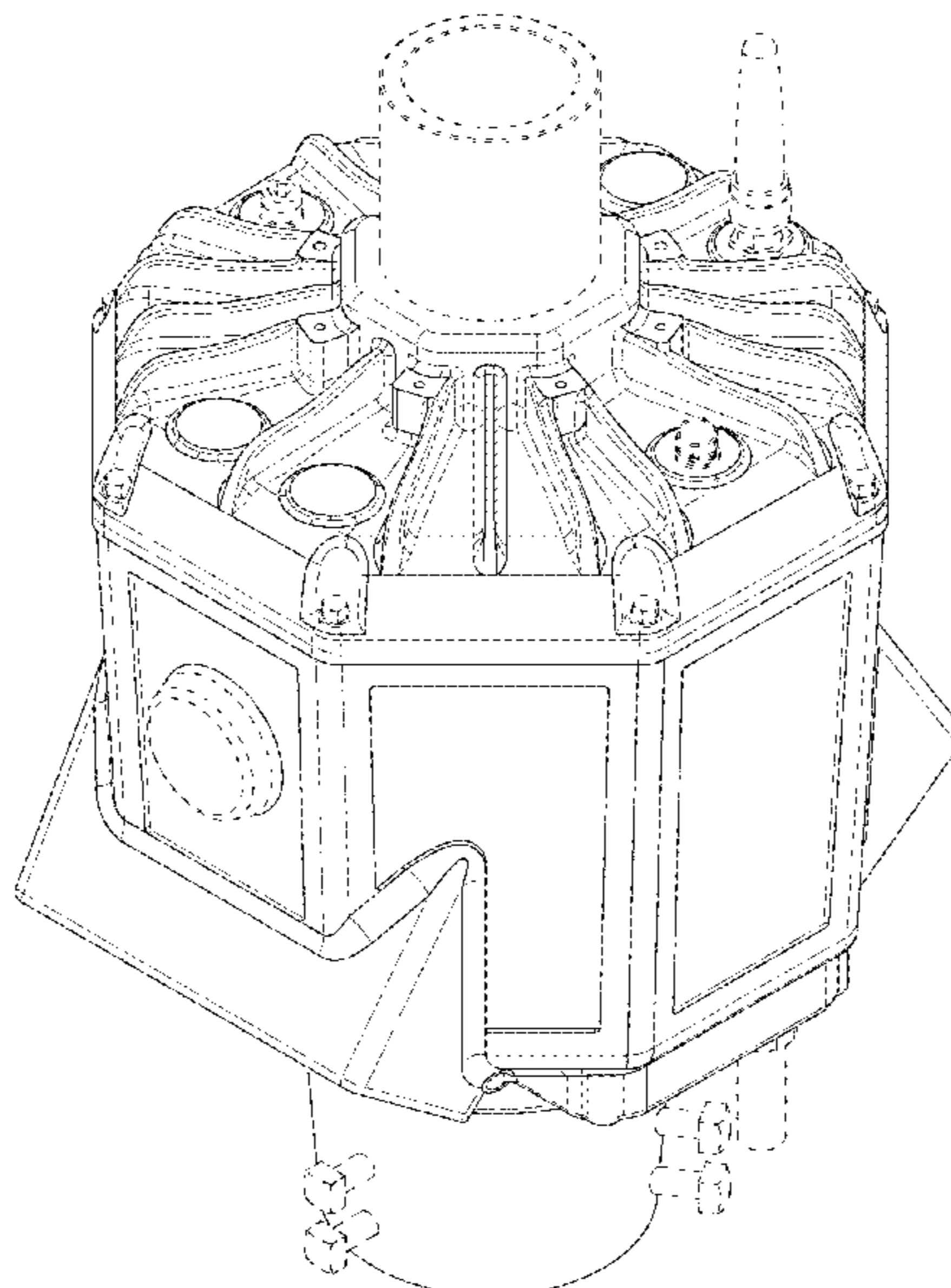
FIG. 5 is a right side view thereof;

FIG. 6 is a top view thereof; and,

FIG. 7 is a bottom view thereof.

The broken lines show portions of the sensor housing for use with post top luminaires that form no part of the claimed design.

1 Claim, 7 Drawing Sheets



(56)

References Cited

U.S. PATENT DOCUMENTS

D820,956 S *	6/2018	Ito	D23/235
D830,213 S *	10/2018	Taylor	D10/106.5
D841,717 S *	2/2019	Wei	D16/210
D843,862 S *	3/2019	Bellows	D10/70
D851,221 S *	6/2019	Chandler	D23/259
D859,197 S *	9/2019	Pierik	D10/107
D861,226 S *	9/2019	Liu	D26/85

* cited by examiner

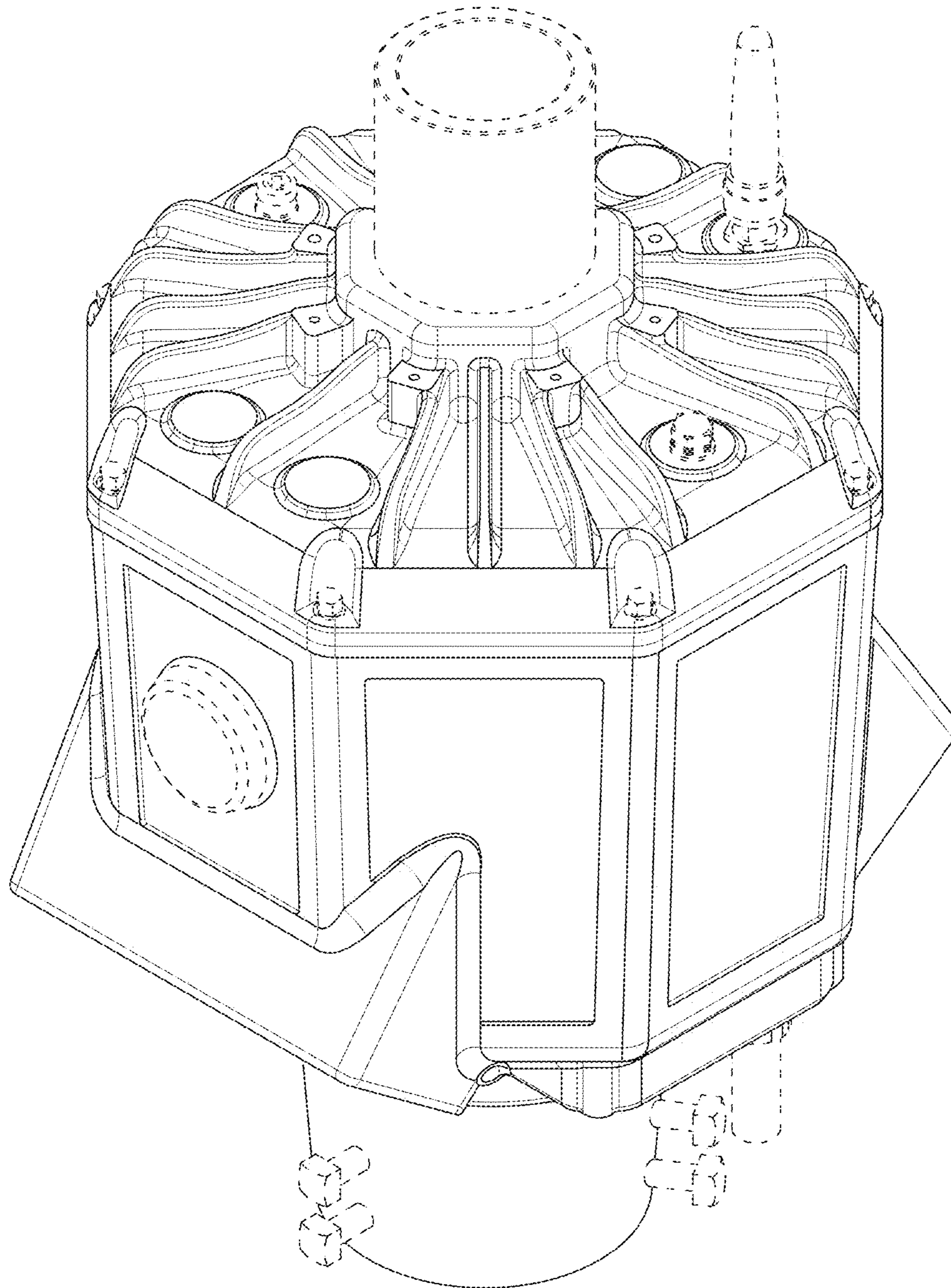


FIG. 1

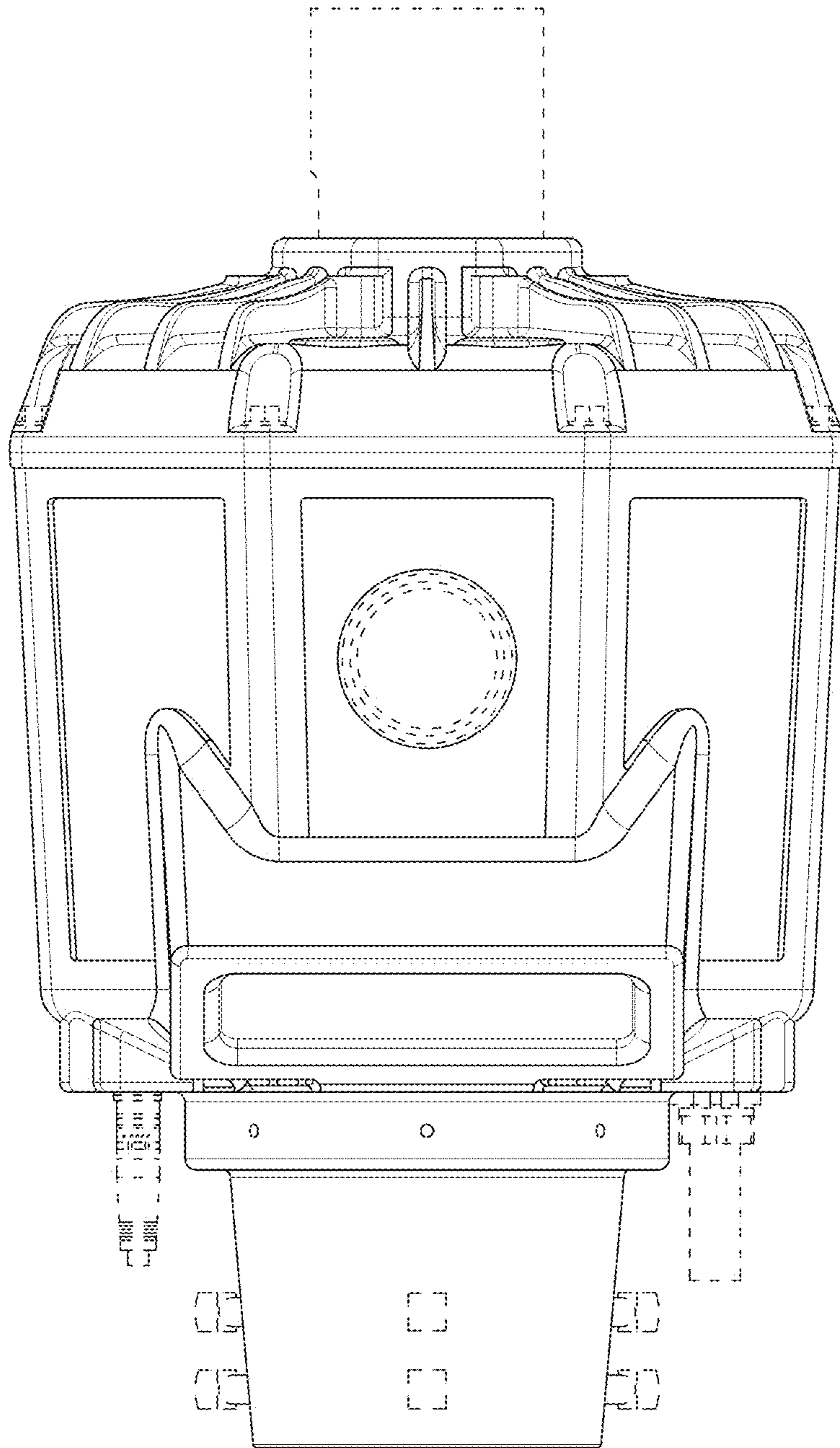


FIG. 2

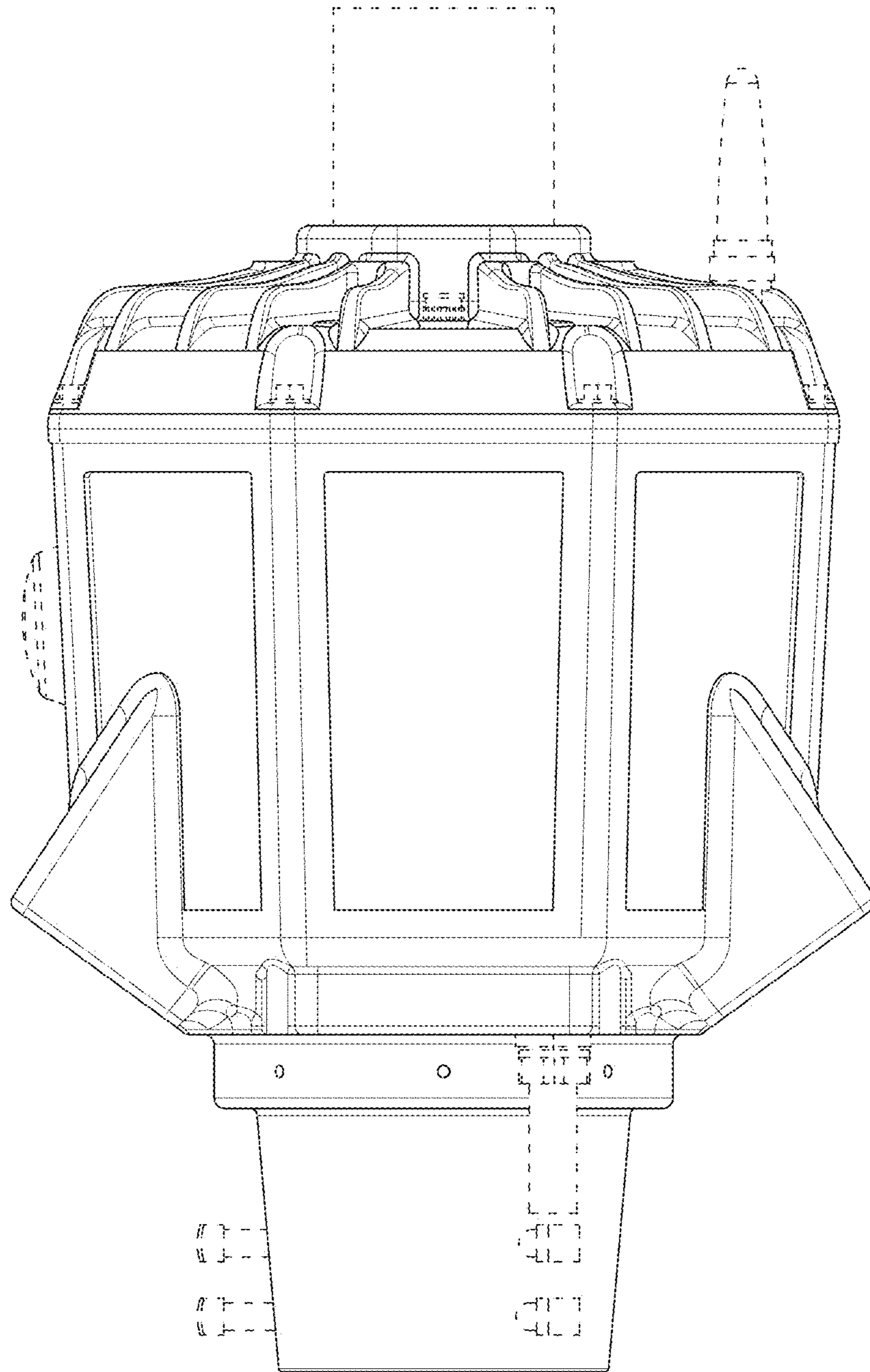


FIG. 3

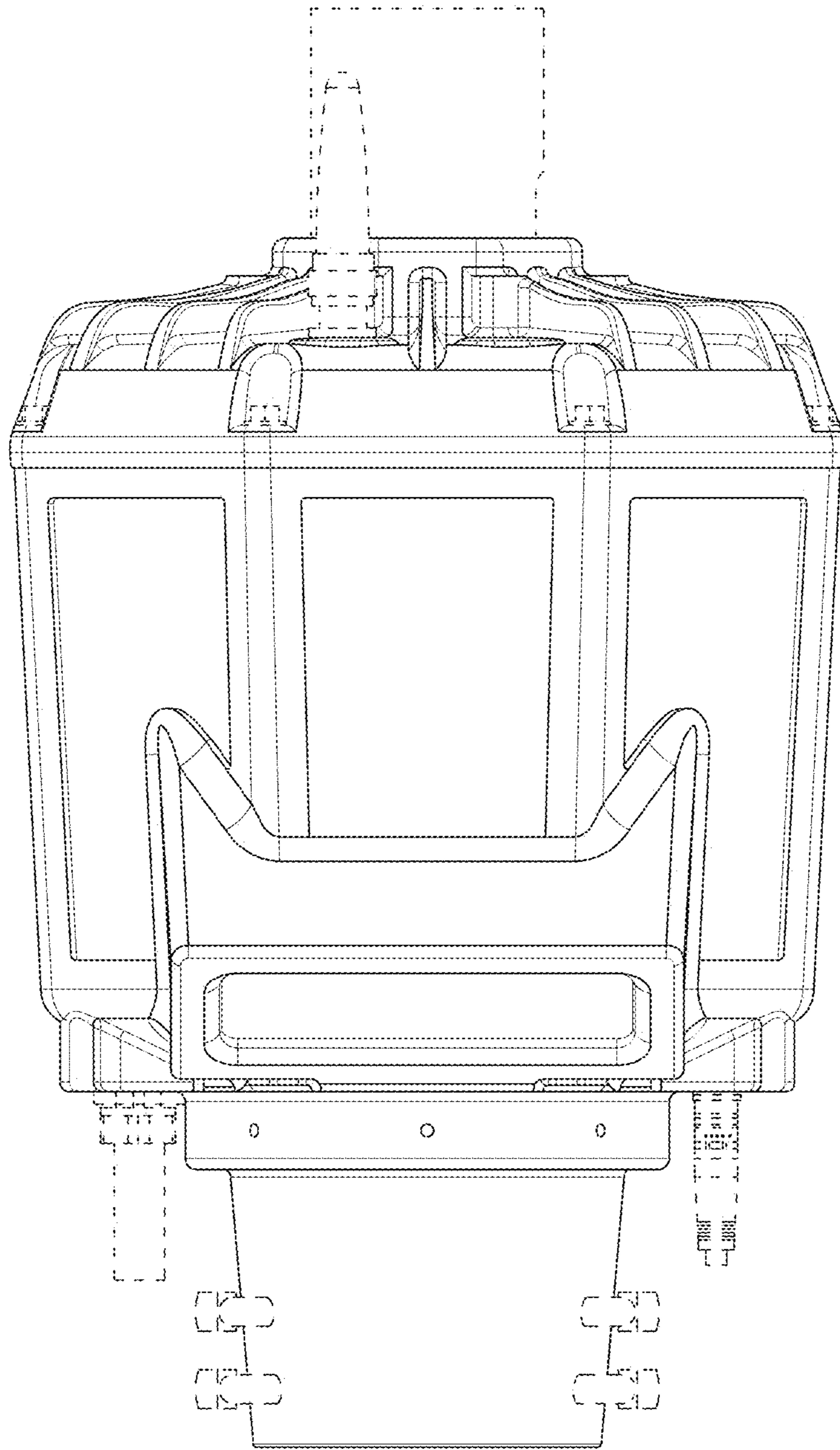


FIG. 4

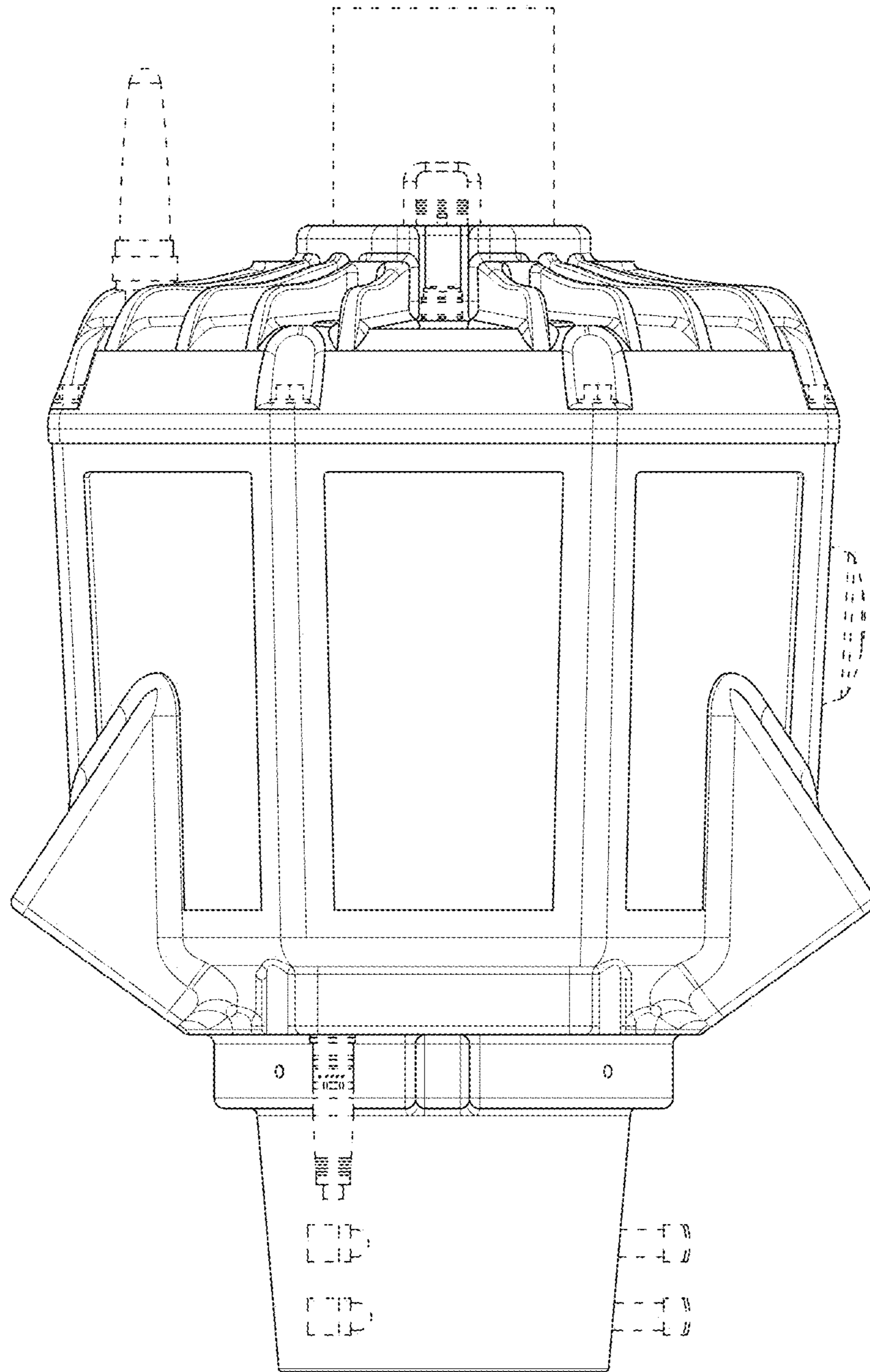


FIG. 5

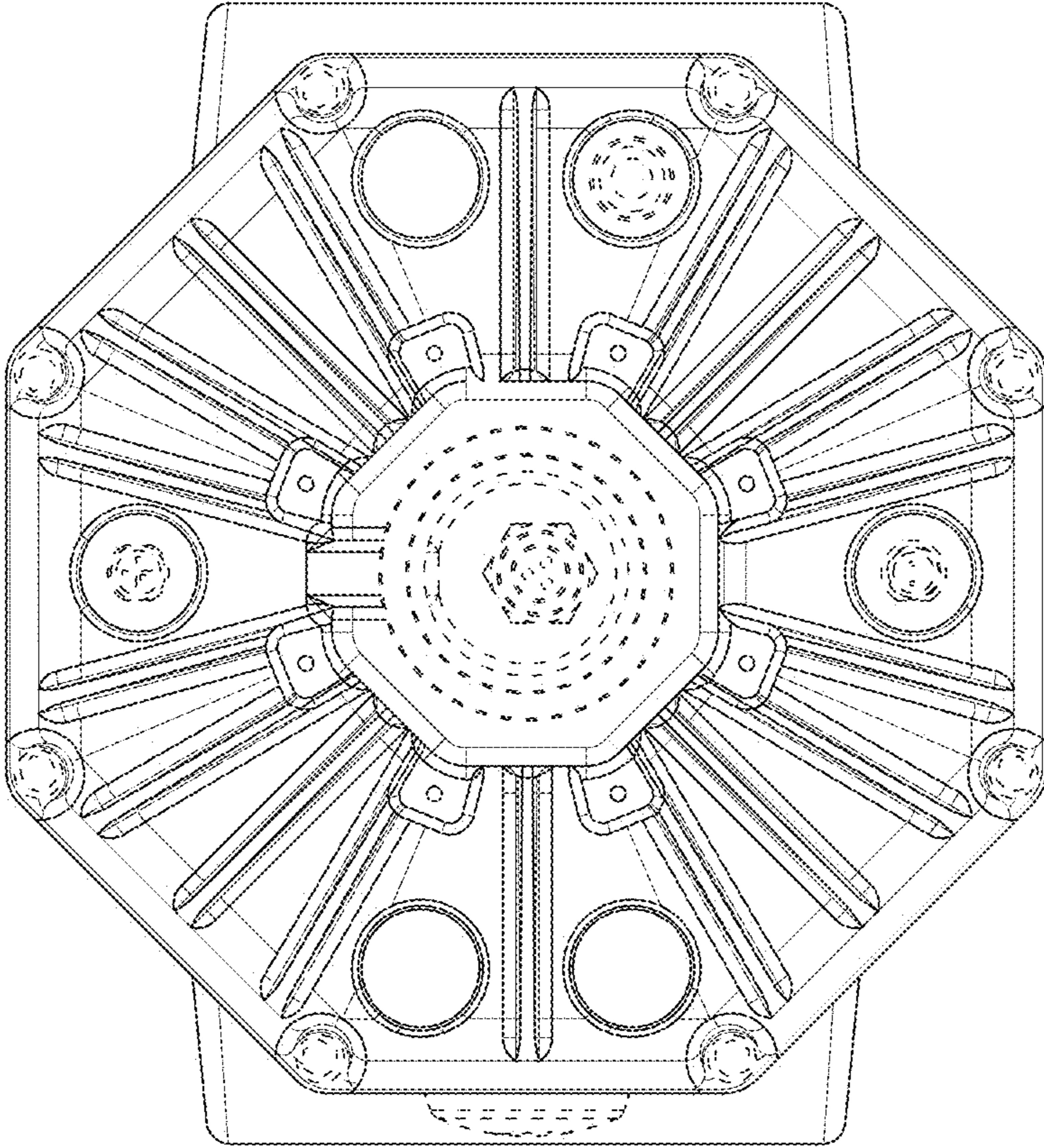


FIG. 6

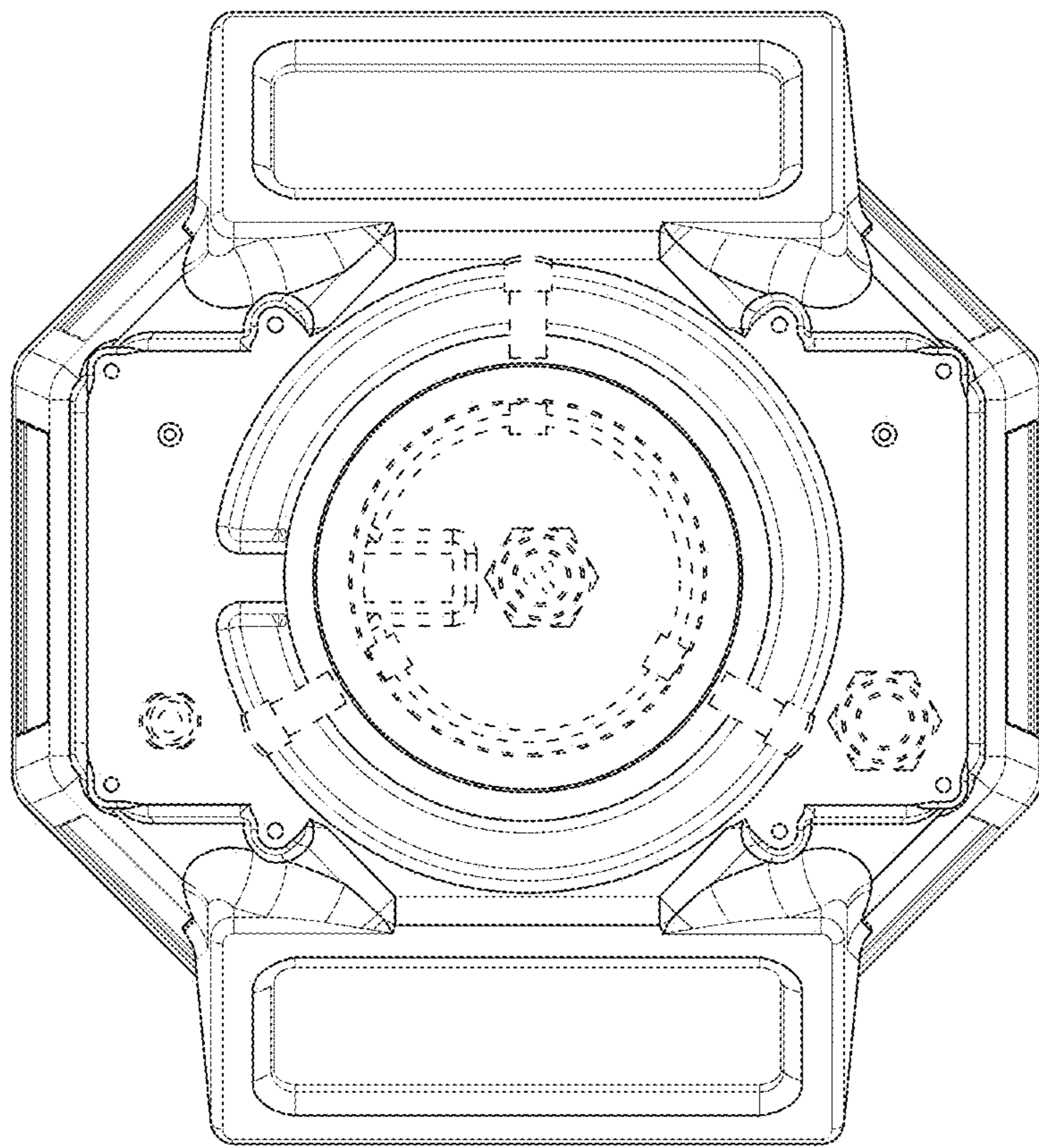


FIG. 7