



US00D902746S

(12) **United States Design Patent**
Torres

(10) **Patent No.:** **US D902,746 S**

(45) **Date of Patent:** **** Nov. 24, 2020**

(54) **WATCH CASE**

(71) Applicant: **Breitling SA**, Grenchen (CH)

(72) Inventor: **Francesco Torres**, Zürich (CH)

(**) Term: **15 Years**

(21) Appl. No.: **35/507,717**

(22) Filed: **Mar. 19, 2019**

(80) **Hague Agreement Data**

Int. Filing Date: **Mar. 19, 2019**

Int. Reg. No.: **DM/203750**

Int. Reg. Date: **Mar. 19, 2019**

Int. Reg. Pub. Date: **Nov. 8, 2019**

(51) **LOC (12) Cl.** **10-03**

(52) **U.S. Cl.**

USPC **D10/38**

(58) **Field of Classification Search**
USPC D10/128, 30, 32, 38, 39, 122-123
See application file for complete search history.

(56) **References Cited**

U.S. PATENT DOCUMENTS

3,475,902 A *	11/1969	Wessel	B63C 11/32
			368/10
D295,837 S *	5/1988	Takeichi	D10/39
D702,136 S *	4/2014	Monachon	D10/39
D836,008 S *	12/2018	Schoepfer	D10/39

* cited by examiner

Primary Examiner — George D. Kirschbaum

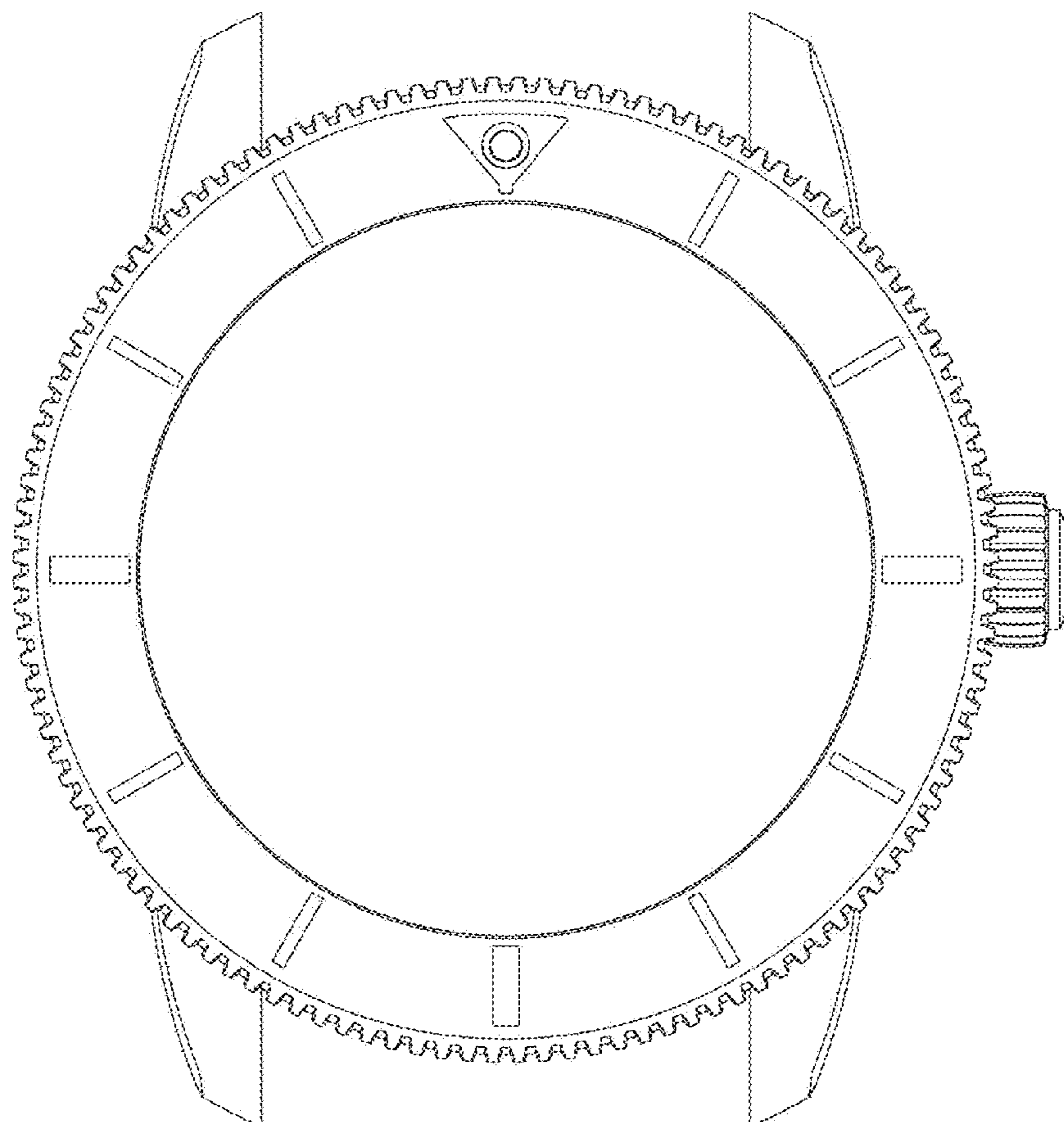
(57) **CLAIM**

The ornamental design for a watch case, as shown and described.

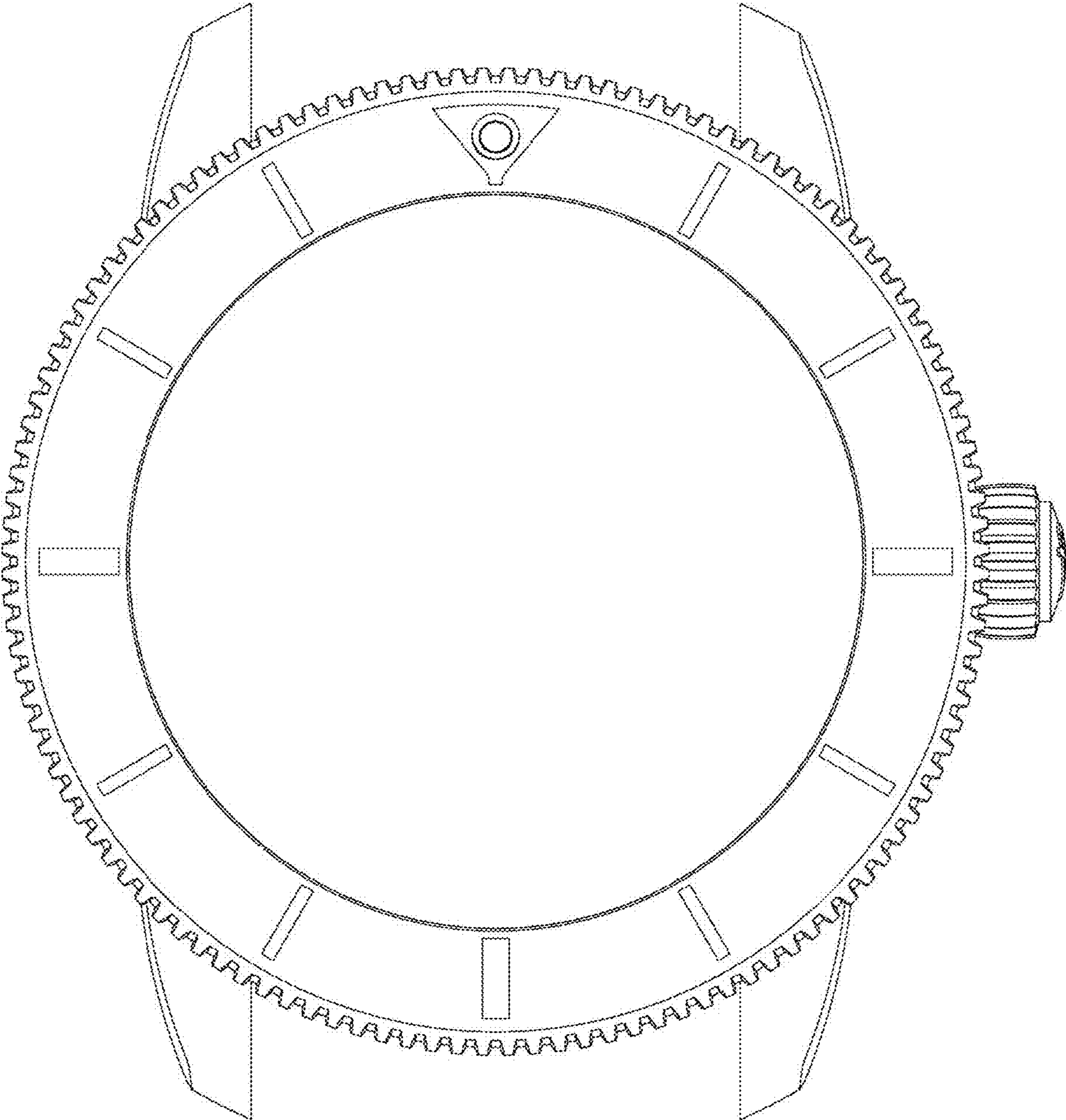
DESCRIPTION

- 1. Watch case
- 1.1 is a front view.
- 1.2 is a bottom view.
- 1.3 is a top view.
- 1.4 is a right side view.
- 1.5 is a left side view.
- 1.6 is a back view.
- 1.7 is a perspective view.

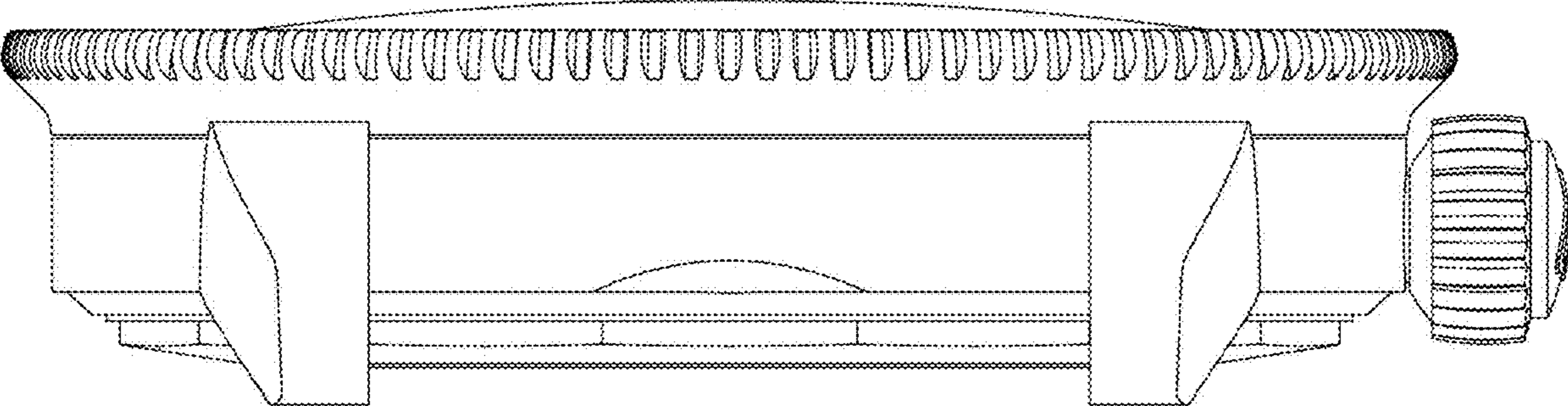
1 Claim, 7 Drawing Sheets



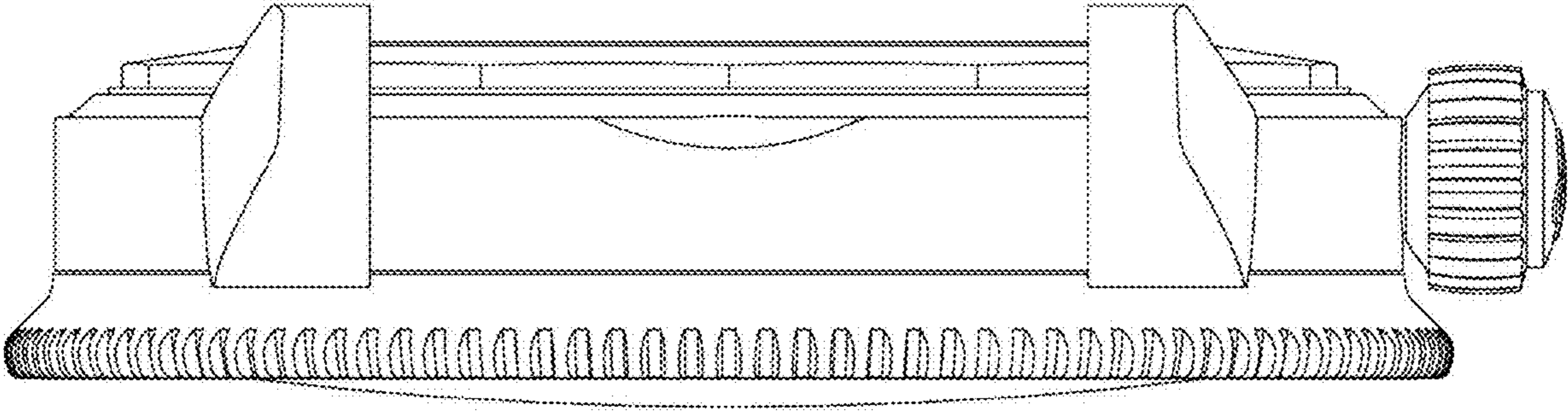
1.1



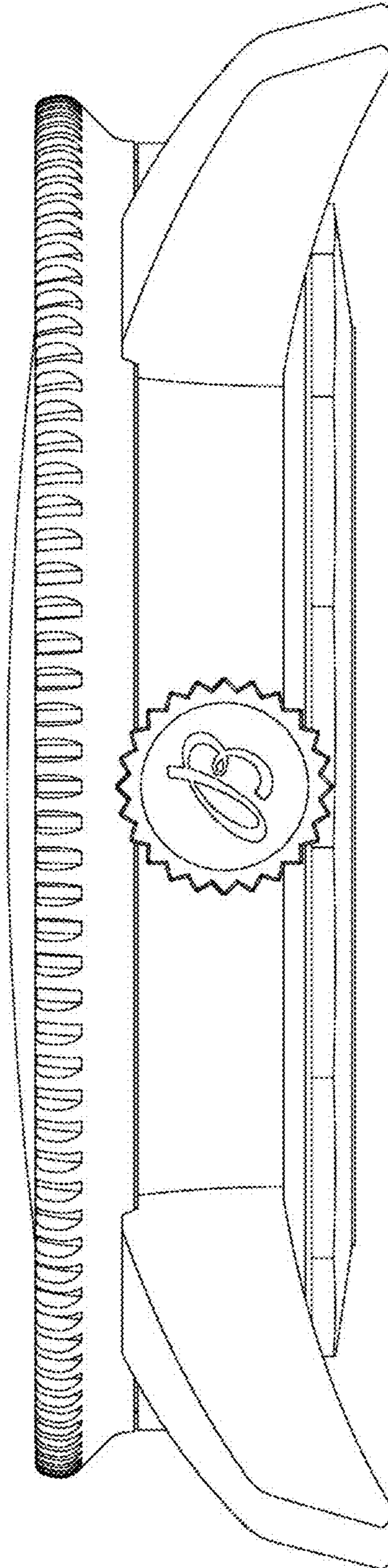
1.2

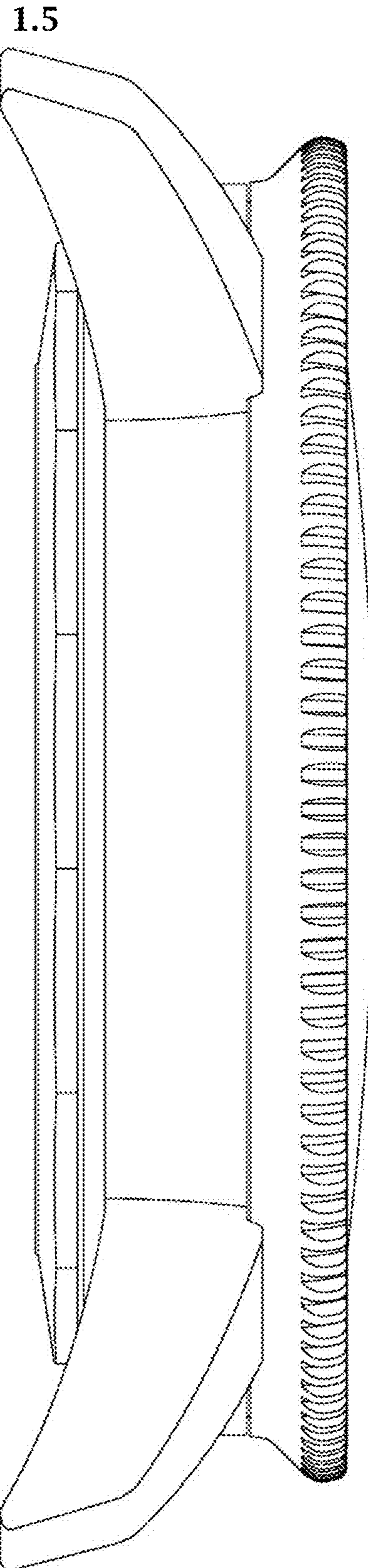


1.3

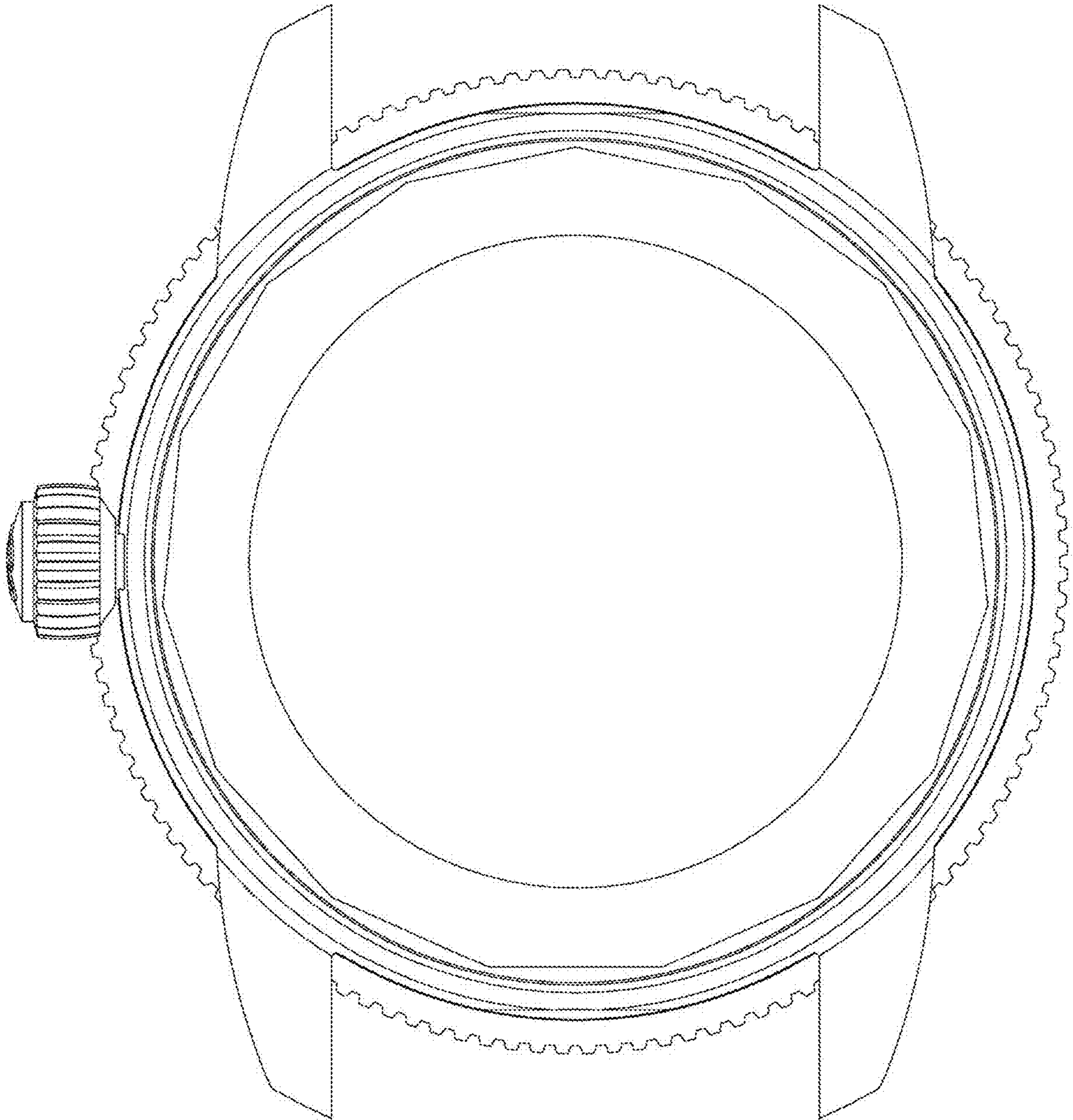


1.4





1.6



1.7

