



US00D902745S

(12) **United States Design Patent**
Gonet et al.

(10) **Patent No.:** **US D902,745 S**

(45) **Date of Patent:** **** Nov. 24, 2020**

- (54) **WATCH WITH BRACELET**
- (71) Applicant: **CHARLES ZUBER SA**, Satigny (CH)
- (72) Inventors: **Fabrice Gonet**, Ecublens (CH); **Eric Giroud**, Confignon (CH); **Oliver Leu**, Aubonne (CH)
- (73) Assignee: **CHARLES ZUBER SA**, Satigny (CH)
- (**) Term: **15 Years**
- (21) Appl. No.: **29/729,734**
- (22) Filed: **Mar. 30, 2020**

D747,978 S	1/2016	Babcock	
D747,979 S	1/2016	Babcock	
D751,550 S	3/2016	Solomon	
D761,668 S	7/2016	Duval	
D765,072 S *	8/2016	Kwon	D14/344
D767,416 S	9/2016	Yurman	
D775,126 S	12/2016	Odasso et al.	
D785,469 S	5/2017	Grcic	
D789,219 S *	6/2017	Ferraris	D10/32
D812,498 S	3/2018	Lacroix-Gachet	
D854,427 S	7/2019	Lee	
D864,762 S	10/2019	Gonet	

* cited by examiner

Primary Examiner — George D. Kirschbaum
(74) *Attorney, Agent, or Firm* — Ohlandt, Greeley, Ruggiero & Perle, L.L.P.

Related U.S. Application Data

- (62) Division of application No. 29/705,833, filed on Sep. 16, 2019, now Pat. No. Des. 887,885, which is a division of application No. 35/504,957, filed on Apr. 20, 2018 (U.S. filing date under 35 U.S.C. 384), and having an international filing date of Apr. 20, 2018, now Pat. No. Des. 864,762.
- (51) **LOC (12) Cl.** **10-02**
- (52) **U.S. Cl.**
USPC **D10/32**
- (58) **Field of Classification Search**
USPC D10/32; D24/186; D14/344
See application file for complete search history.

(56) **References Cited**

U.S. PATENT DOCUMENTS

D456,281 S *	4/2002	Glauser	D10/32
D631,761 S *	2/2011	Barbier	D10/32
D667,126 S *	9/2012	Cho	D24/186
D675,941 S *	2/2013	Sasaki	D10/32
D725,494 S	3/2015	Buonamassa	
D745,421 S	12/2015	Akana	

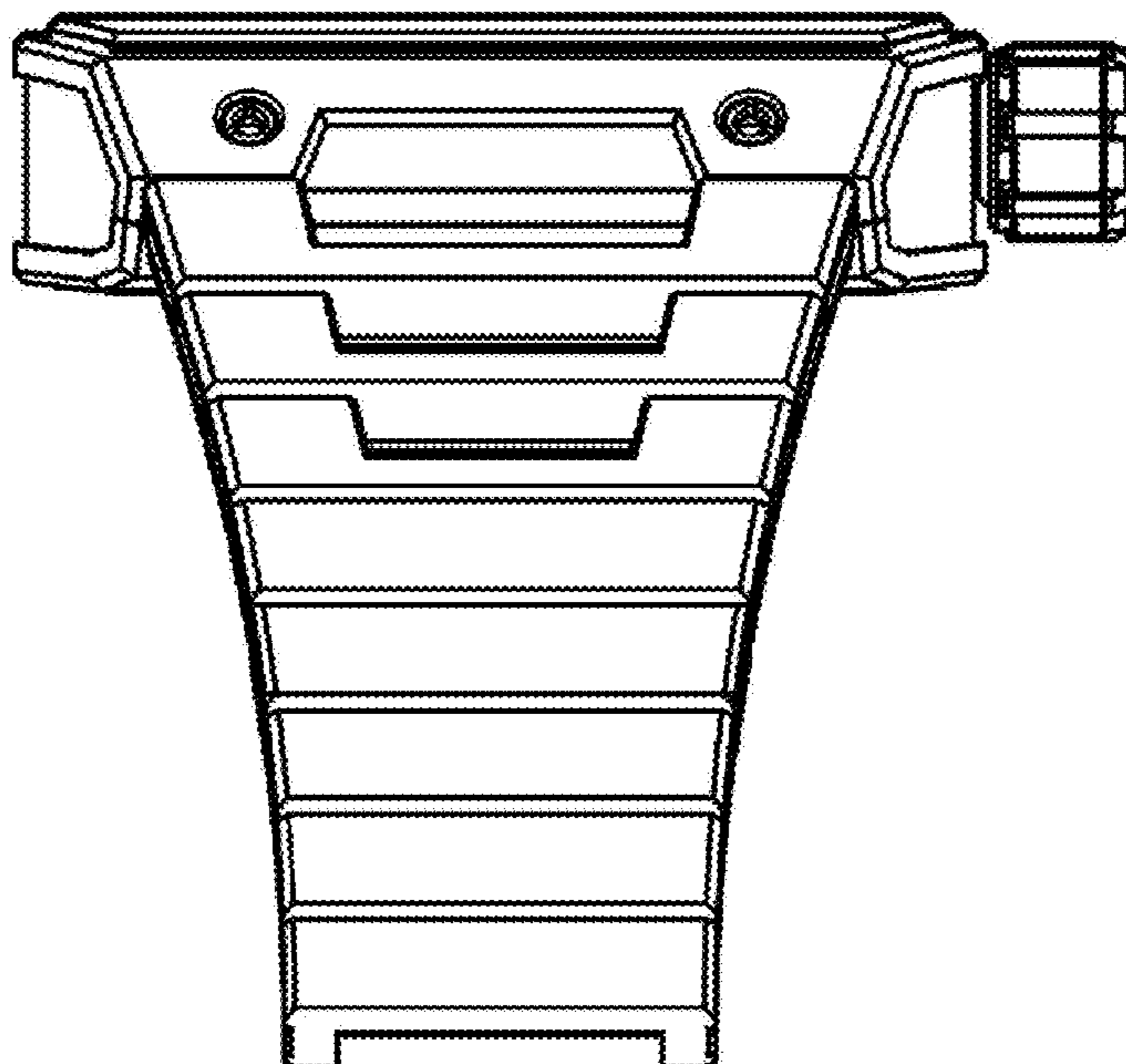
(57) **CLAIM**

The ornamental design for a watch with bracelet, as shown and described.

DESCRIPTION

FIG. 1 is a bottom plan view of an ornamental design for a watch with bracelet according to the present invention;
 FIG. 2 is a perspective view of the watch with bracelet of FIG. 1;
 FIG. 3 is left side elevational view of the watch with bracelet of FIG. 1;
 FIG. 4 is right side elevational view of the watch with bracelet of FIG. 1;
 FIG. 5 is a front elevational view of the watch with bracelet of FIG. 1;
 FIG. 6 is a rear elevational view of the watch with bracelet of FIG. 1; and,
 FIG. 7 is a top plan view of the watch with bracelet of FIG. 1.

1 Claim, 7 Drawing Sheets



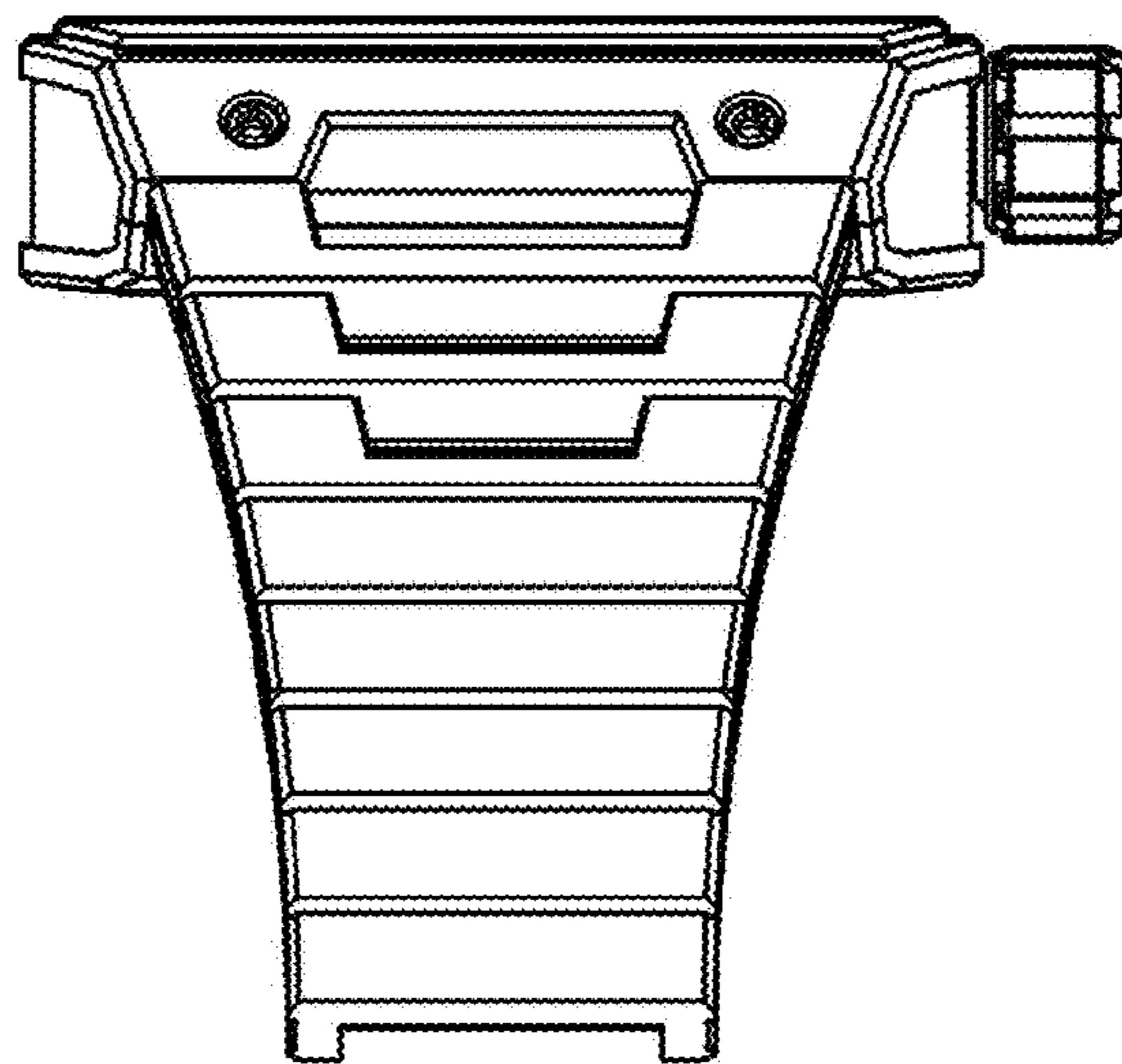


FIG. 1

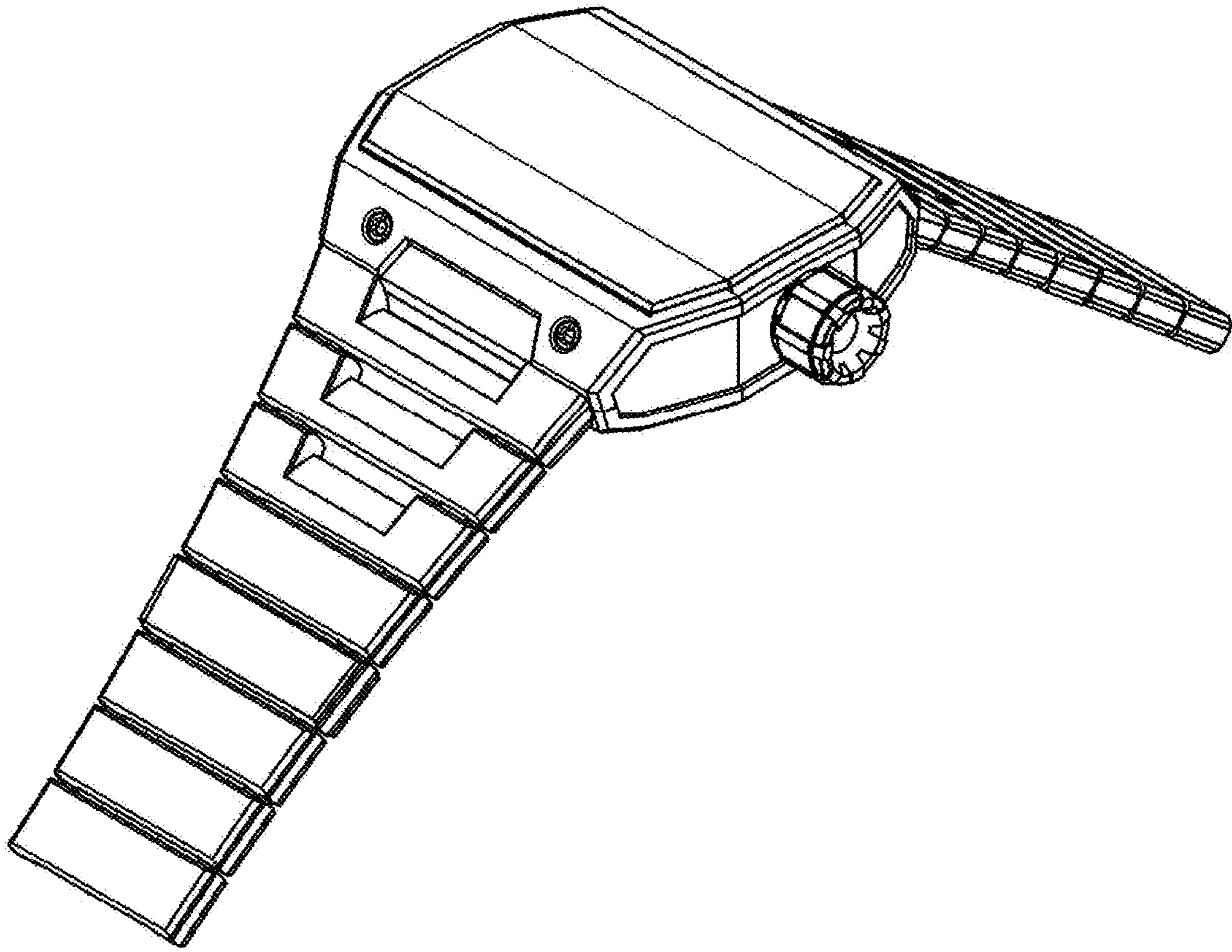


FIG. 2

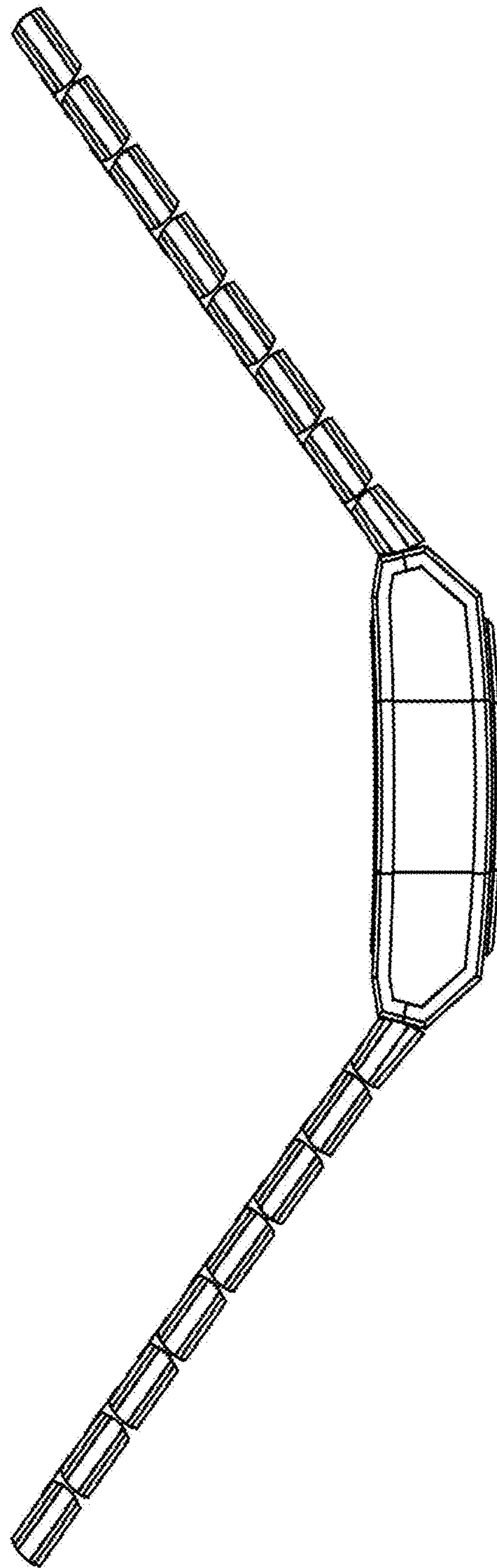


FIG. 3

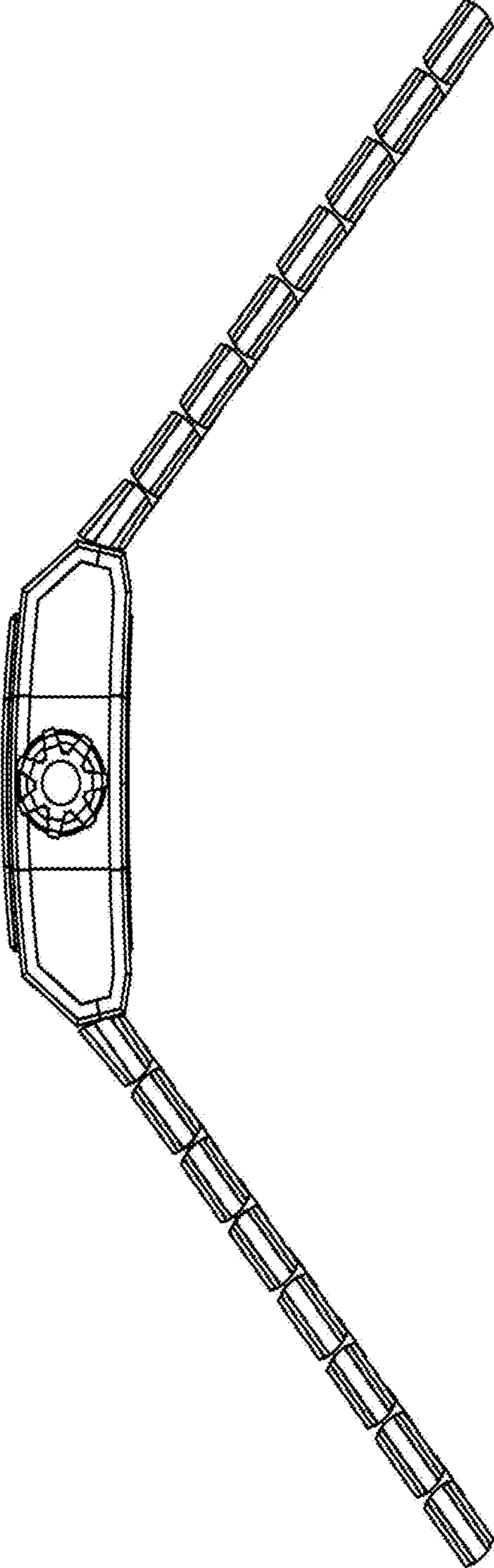


FIG. 4

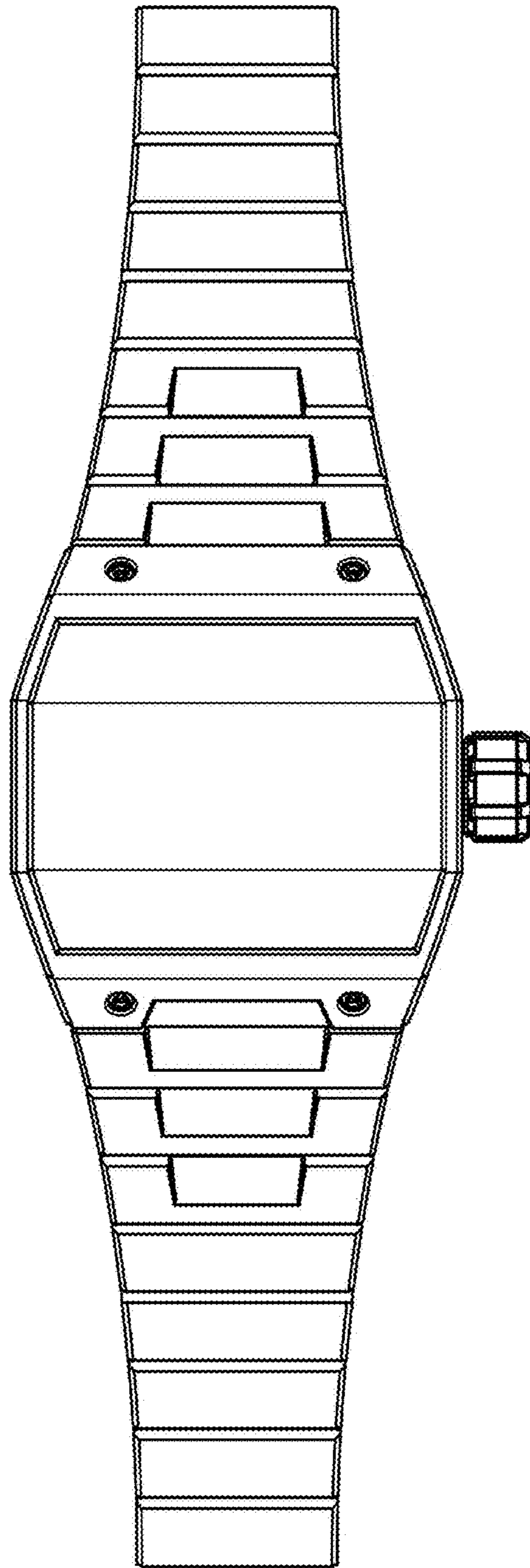


FIG. 5

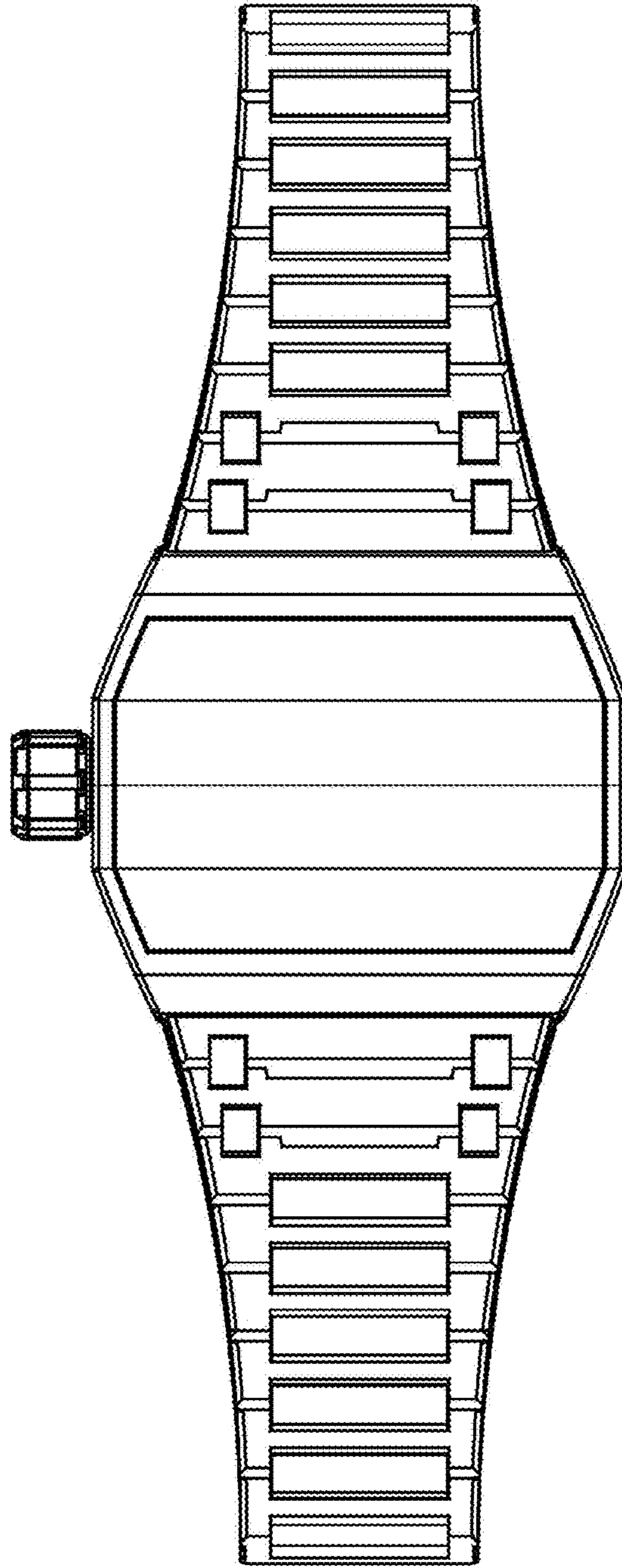


FIG. 6

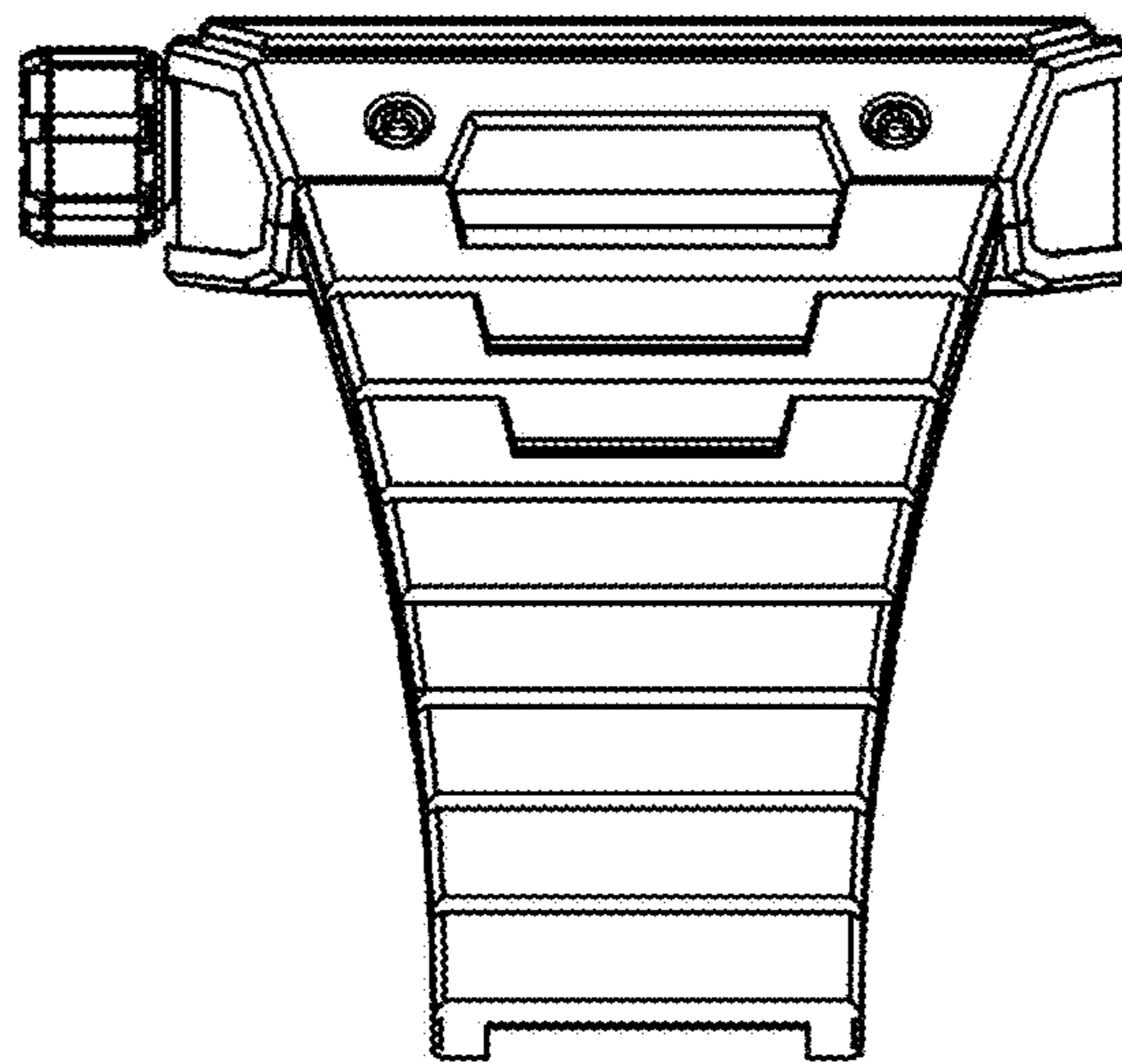


FIG. 7