



US00D902742S

(12) **United States Design Patent** (10) **Patent No.:** **US D902,742 S**  
**Takemoto** (45) **Date of Patent:** **\*\* Nov. 24, 2020**

(54) **PACKAGING**

(71) Applicant: **mitsubishi pencil company, limited**, Tokyo (JP)

(72) Inventor: **Tsutomu Takemoto**, Tokyo (JP)

(73) Assignee: **mitsubishi pencil company, limited**, Tokyo (JP)

(\*\*) Term: **15 Years**

(21) Appl. No.: **29/685,390**

(22) Filed: **Mar. 28, 2019**

(30) **Foreign Application Priority Data**

Sep. 28, 2018 (JP) ..... 2018-021298

(51) **LOC (12) Cl.** ..... **09-05**

(52) **U.S. Cl.**  
USPC ..... **D9/711**

(58) **Field of Classification Search**

USPC ..... D9/702-714, 695-699, 435, 440, 521, D9/454, 544, 723-724, 499, 449, D9/727-728, 442, 447, 504; 222/92, 96, 222/107, 527-529, 215, 491, 206, 222/212-213, 251, 95, 536; 206/438, 206/822, 527; 220/DIG. 7, 669; 215/321, 382, 316, 380; 141/114-115; D28/91.1, 76-78, 82, 88; D24/114; D3/202, 205, 203.2, 270, 271.1-271.4; D7/510, 514-520, 599, 601-602, D7/612-615, 619.2, 628-629  
CPC ..... B65D 35/00; B65D 35/28; B65D 35/02; B65D 35/04; B65D 35/08; B65D 35/36; B65D 35/38; B65D 5/00; B65D 5/001; B65D 5/4258; B65D 1/0223; B65D 1/02;

B65D 1/10; B65D 1/46; B65D 23/00; B65D 2585/00; B65D 81/60; B65D 81/365; B65D 81/366; B65D 81/368; B65D 2203/00; B65D 2203/02

See application file for complete search history.

(56) **References Cited**

U.S. PATENT DOCUMENTS

|              |        |                 |        |
|--------------|--------|-----------------|--------|
| D682,118 S * | 5/2013 | Egger .....     | D9/711 |
| D730,746 S * | 6/2015 | Cywinski .....  | D9/711 |
| D761,120 S * | 7/2016 | Westbrook ..... | D9/711 |
| D827,449 S * | 9/2018 | Roesler .....   | D9/711 |
| D878,928 S * | 3/2020 | Rawls .....     | D9/711 |

\* cited by examiner

*Primary Examiner* — Abraham Bahta

(74) *Attorney, Agent, or Firm* — Andrew F. Young, Esq.; Nolte Lackenbach Siegel

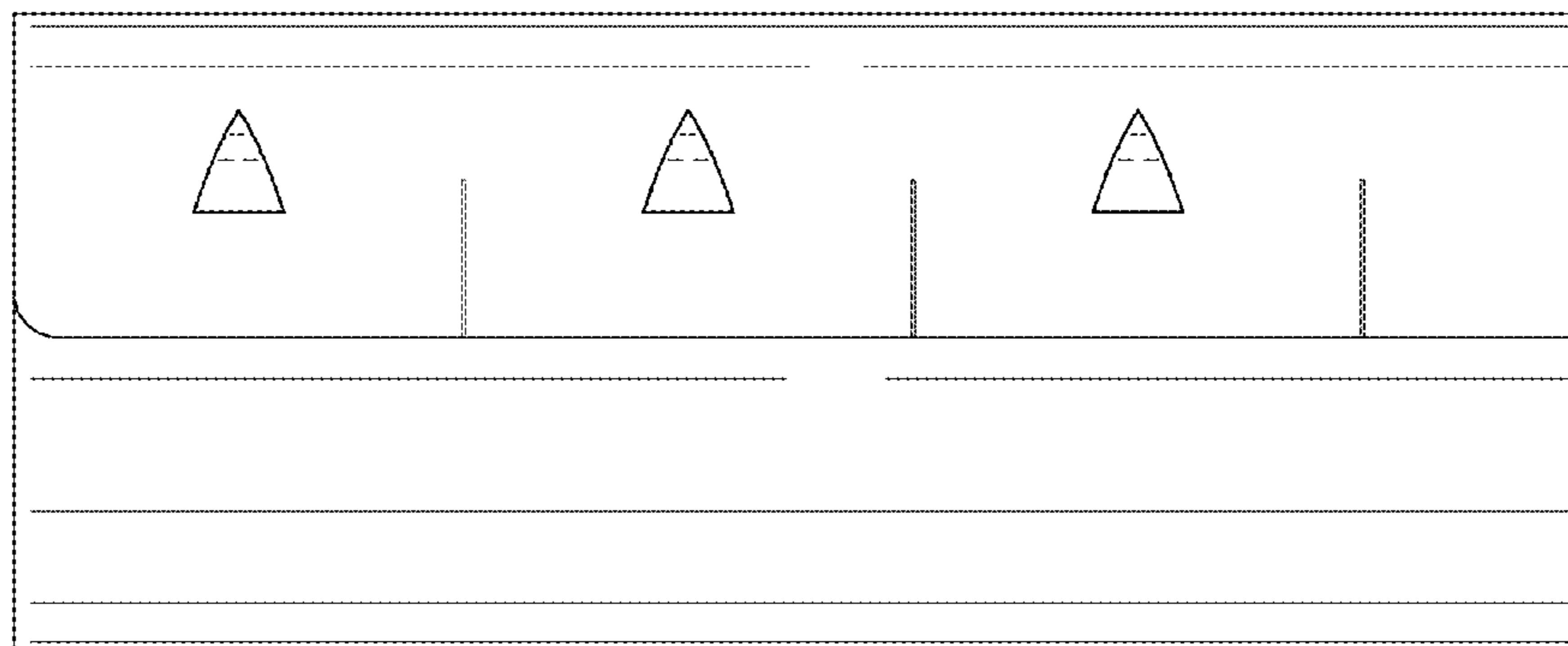
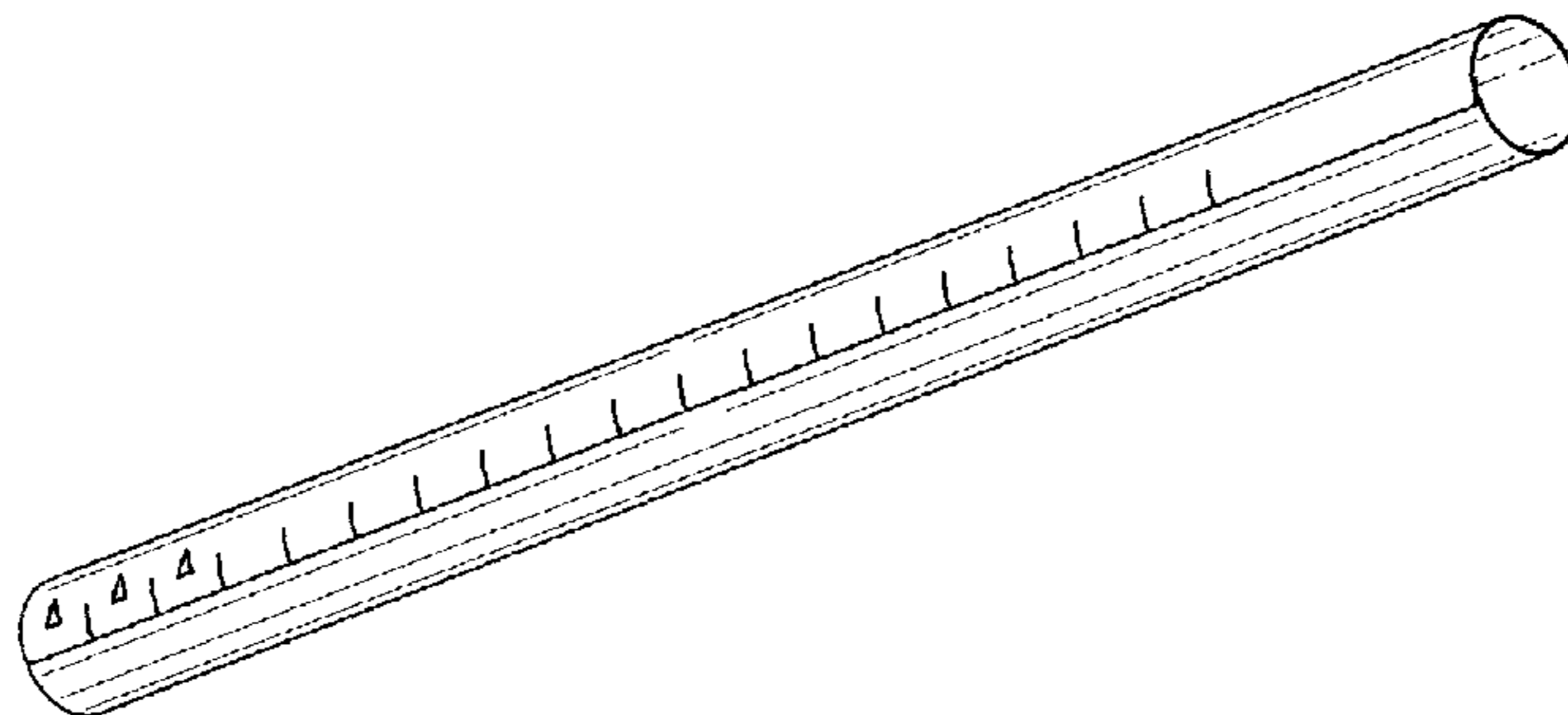
(57) **CLAIM**

The ornamental design for packaging, as shown and described.

**DESCRIPTION**

FIG. 1 is a perspective view of a packaging showing my new design;  
FIG. 2 is a front elevational view thereof;  
FIG. 3 is a rear elevational view thereof;  
FIG. 4 is a top plan view thereof;  
FIG. 5 is a bottom plan view thereof;  
FIG. 6 is an enlarged right side elevational view thereof; the enlarged left side elevational view being a mirror image thereof; and,  
FIG. 7 is an enlarged front elevational view taken in the direction 7-7 in FIG. 2.

**1 Claim, 4 Drawing Sheets**



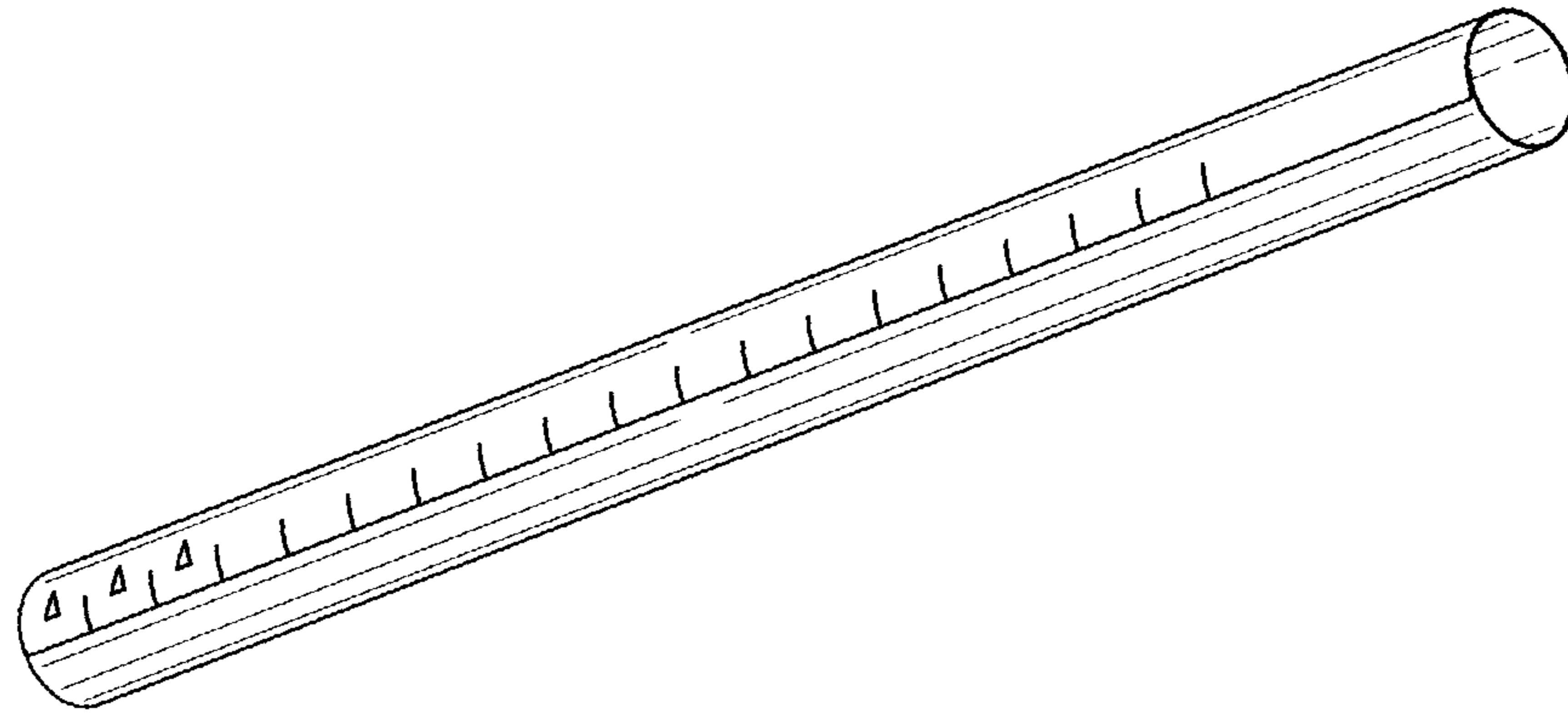


FIG. 1

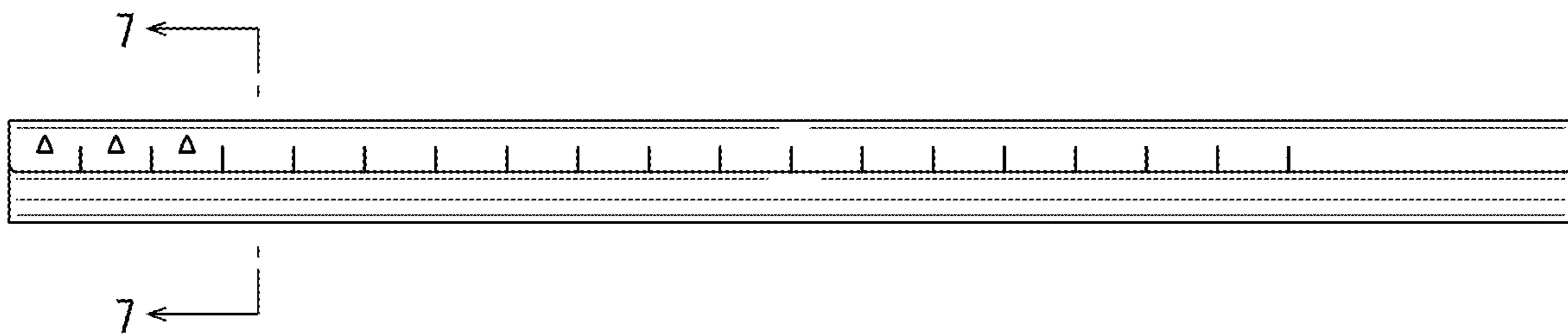


FIG. 2

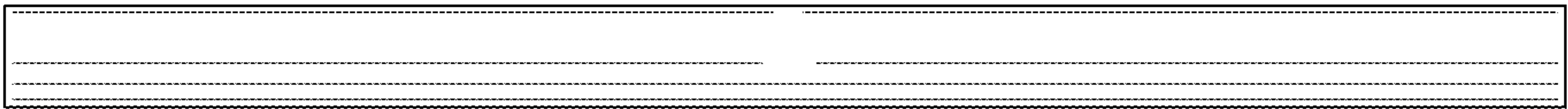


FIG. 3

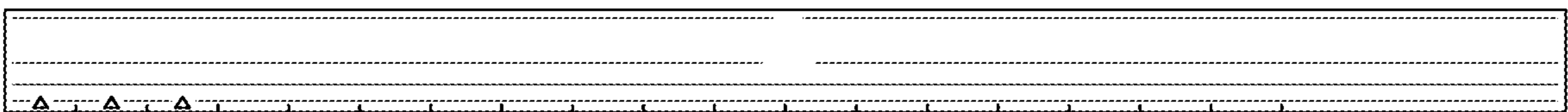


FIG. 4



FIG. 5

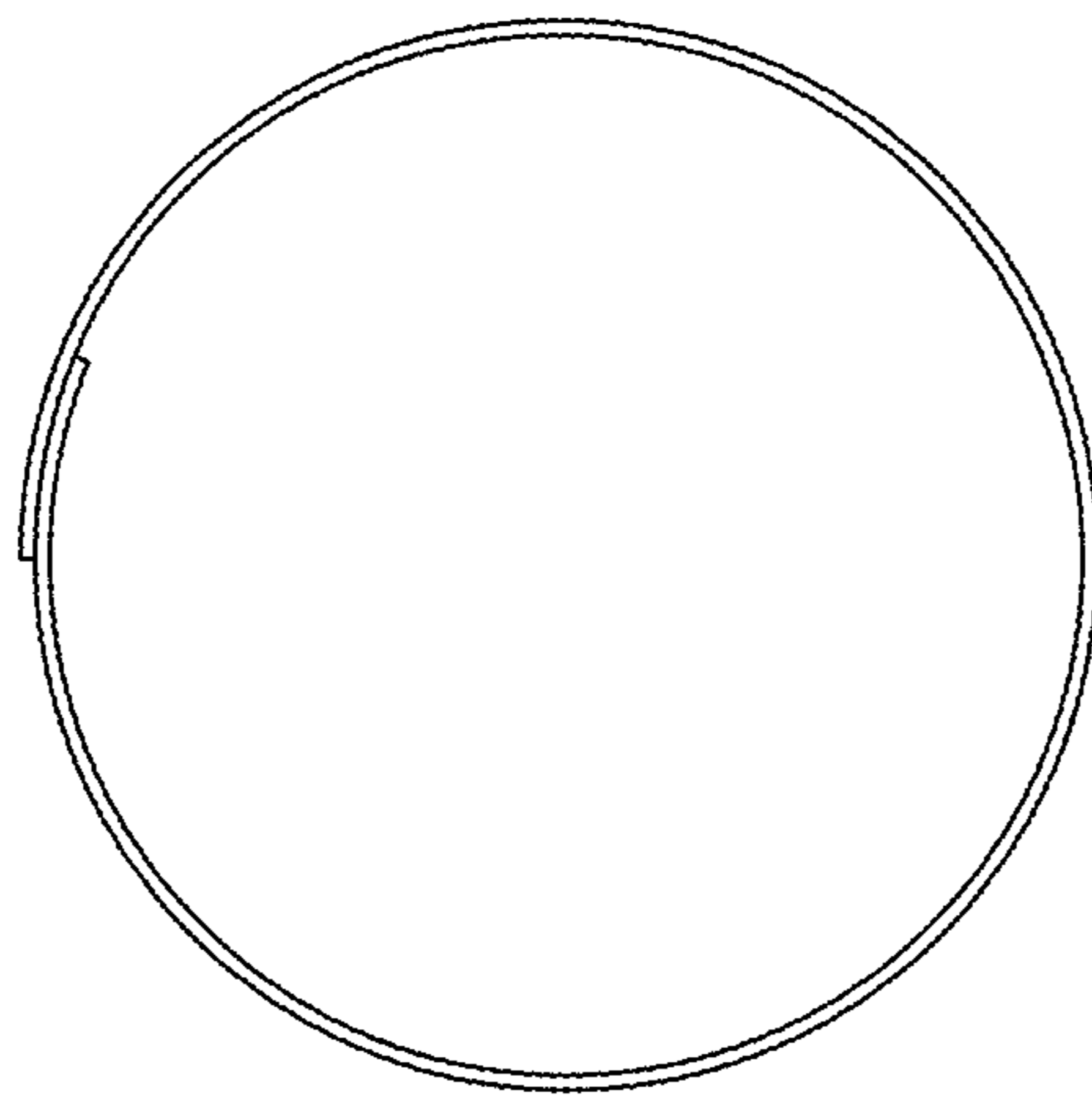


FIG. 6

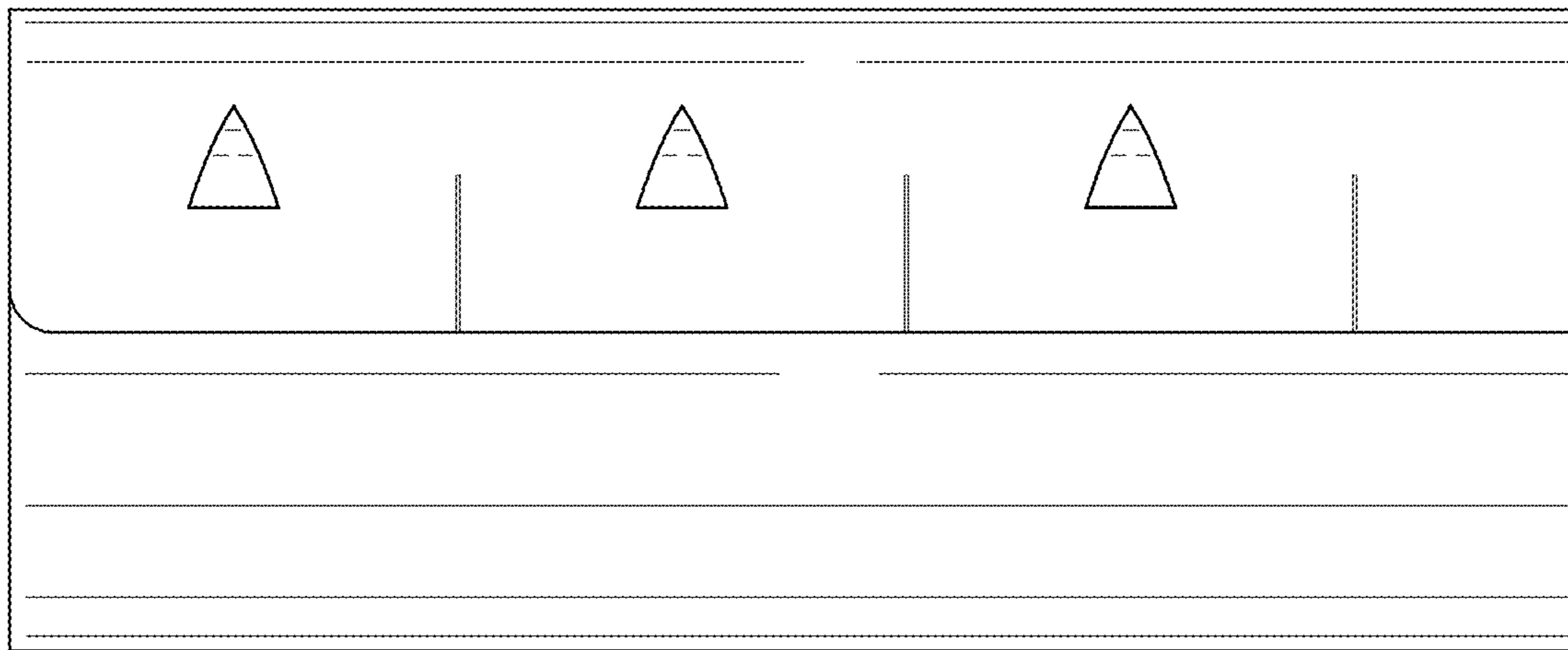


FIG. 7