



US00D902737S

(12) **United States Design Patent** (10) **Patent No.:** **US D902,737 S**
Mark (45) **Date of Patent:** **** Nov. 24, 2020**

(54) **BALL SHAPED SPORTS BOX**
(71) Applicant: **Justin Andrew Mark**, Ofallon, MO
(US)
(72) Inventor: **Justin Andrew Mark**, Ofallon, MO
(US)
(**) Term: **15 Years**
(21) Appl. No.: **29/651,733**

D380,153 S * 6/1997 Riddell D9/600
D390,112 S * 2/1998 Tucker D9/451
D400,437 S 11/1998 Troutman
D431,965 S * 10/2000 Malusek D9/451
D477,961 S * 8/2003 Tung D3/270
D481,945 S * 11/2003 Jarvinen D9/433
D484,353 S * 12/2003 Tung D3/270
D484,406 S * 12/2003 Jacquet D9/430
D764,278 S * 8/2016 Tulin B65D 5/0254
D9/430
D764,909 S * 8/2016 Tulin D9/430
(Continued)

(22) Filed: **Feb. 14, 2019**
(51) **LOC (12) Cl.** **09-01**
(52) **U.S. Cl.**
USPC **D9/668; D9/430**
(58) **Field of Classification Search**
USPC D9/600, 668, 414-433, 451; 206/457,
206/494, 459.5, 527, 540; 229/116.1,
229/109; 215/381-384, 400;
D7/514-521, 539, 544, 571, 594, 599,
D7/604, 606, 613, 619.2, 623, 625,
D7/628-630, 391-392.1, 396.4;
D3/270-271.8
CPC B65D 67/00; B65D 81/36; B65D 81/60;
B65D 81/368; B65D 37/00; B65D 5/42;
B65D 5/4208; B65D 77/00; B65D 5/20;
B65D 5/2033; A63H 33/10; A63H 33/16
See application file for complete search history.

OTHER PUBLICATIONS

Basketball shaped gift box, dated on-line Feb. 27, 2016, Box & Wrap Packaging. <https://www.boxandwrap.com/sports-gift-bags-boxes.html>.*

Primary Examiner — Sandra L Morris
(74) *Attorney, Agent, or Firm* — Justin Mark

(57) **CLAIM**

The ornamental design for a ball shaped sports box, as shown and described.

DESCRIPTION

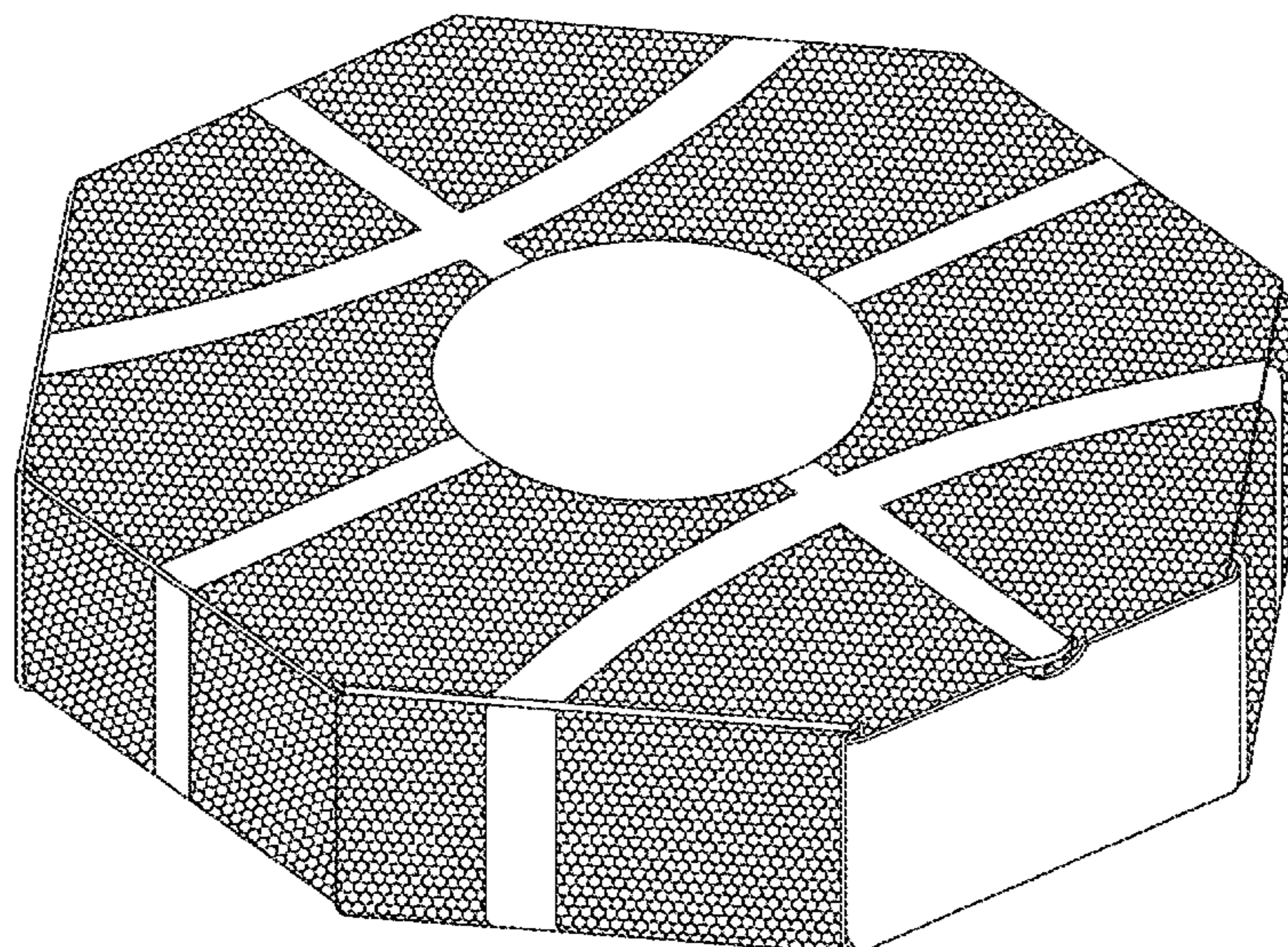
FIG. 1 is a perspective view of a ball shaped sports box;
FIG. 2 is a top view thereof;
FIG. 3 is a bottom view thereof;
FIG. 4 is a front view thereof;
FIG. 5 is a back view thereof;
FIG. 6 is a right view thereof;
FIG. 7 is a left view thereof;
FIG. 8 is the alternative perspective view thereof;
FIG. 9 is a top view thereof;
FIG. 10 is a bottom view thereof;
FIG. 11 is a front view thereof;
FIG. 12 is a back view thereof;
FIG. 13 is a right view thereof; and,
FIG. 14 is a left view thereof.

(56) **References Cited**

U.S. PATENT DOCUMENTS

2,706,592 A * 4/1955 Schaller B65D 5/2033
229/109
2,819,833 A * 1/1958 Sauer B65D 5/2033
229/109
4,260,100 A * 4/1981 Hoffman B65D 5/0254
229/109
D346,185 S * 4/1994 Francis D3/270
D348,609 S * 7/1994 Eisman D9/423
D351,345 S * 10/1994 Geho D9/430
D358,023 S * 5/1995 Poire D3/270

1 Claim, 10 Drawing Sheets



(56)

References Cited

U.S. PATENT DOCUMENTS

D775,943 S * 1/2017 Quiroga De La Garza
B65D 5/2033
D9/414
D828,179 S * 9/2018 Mark B65D 5/2033
D9/668

* cited by examiner

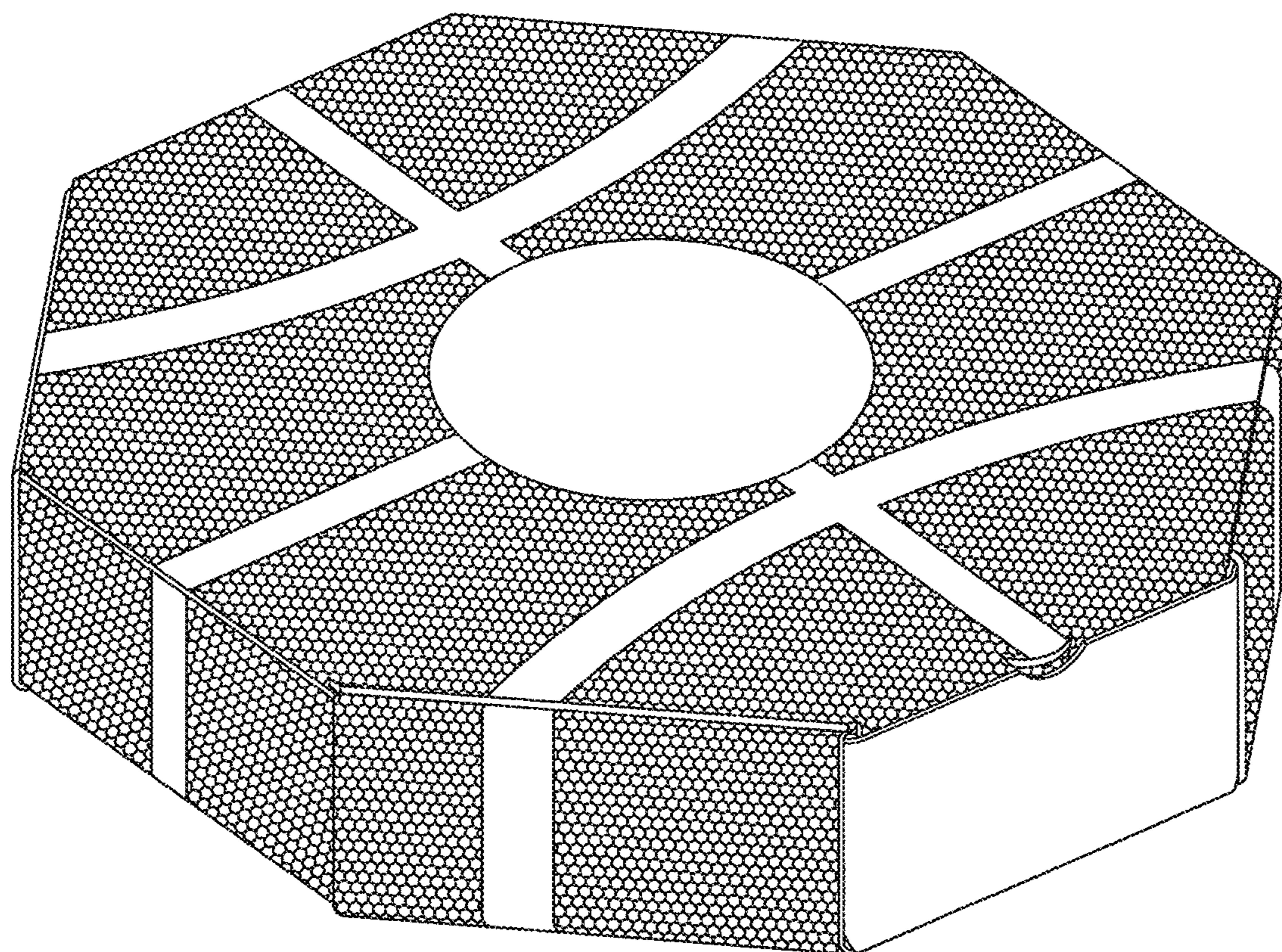


FIG. 1

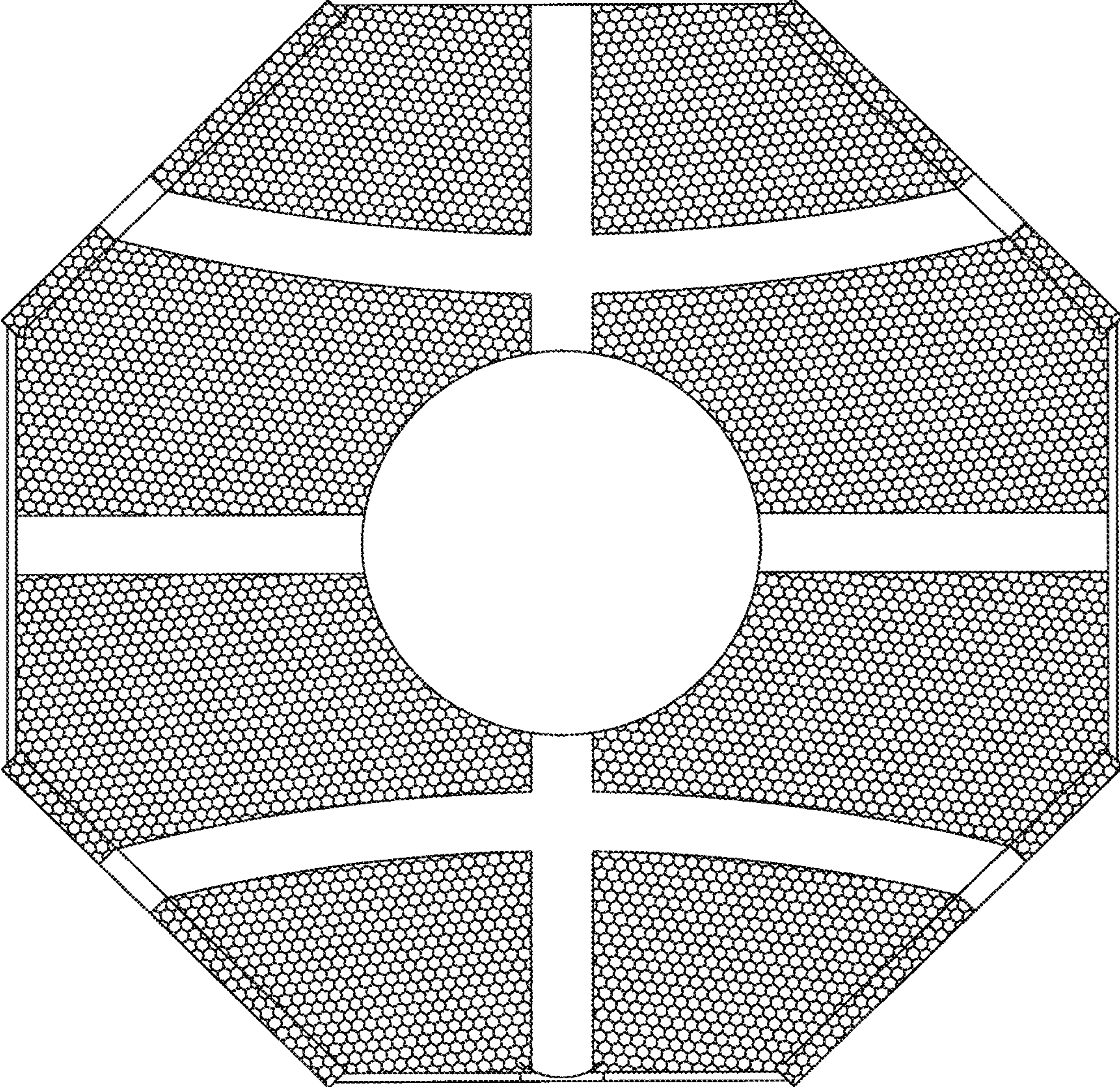


FIG. 2

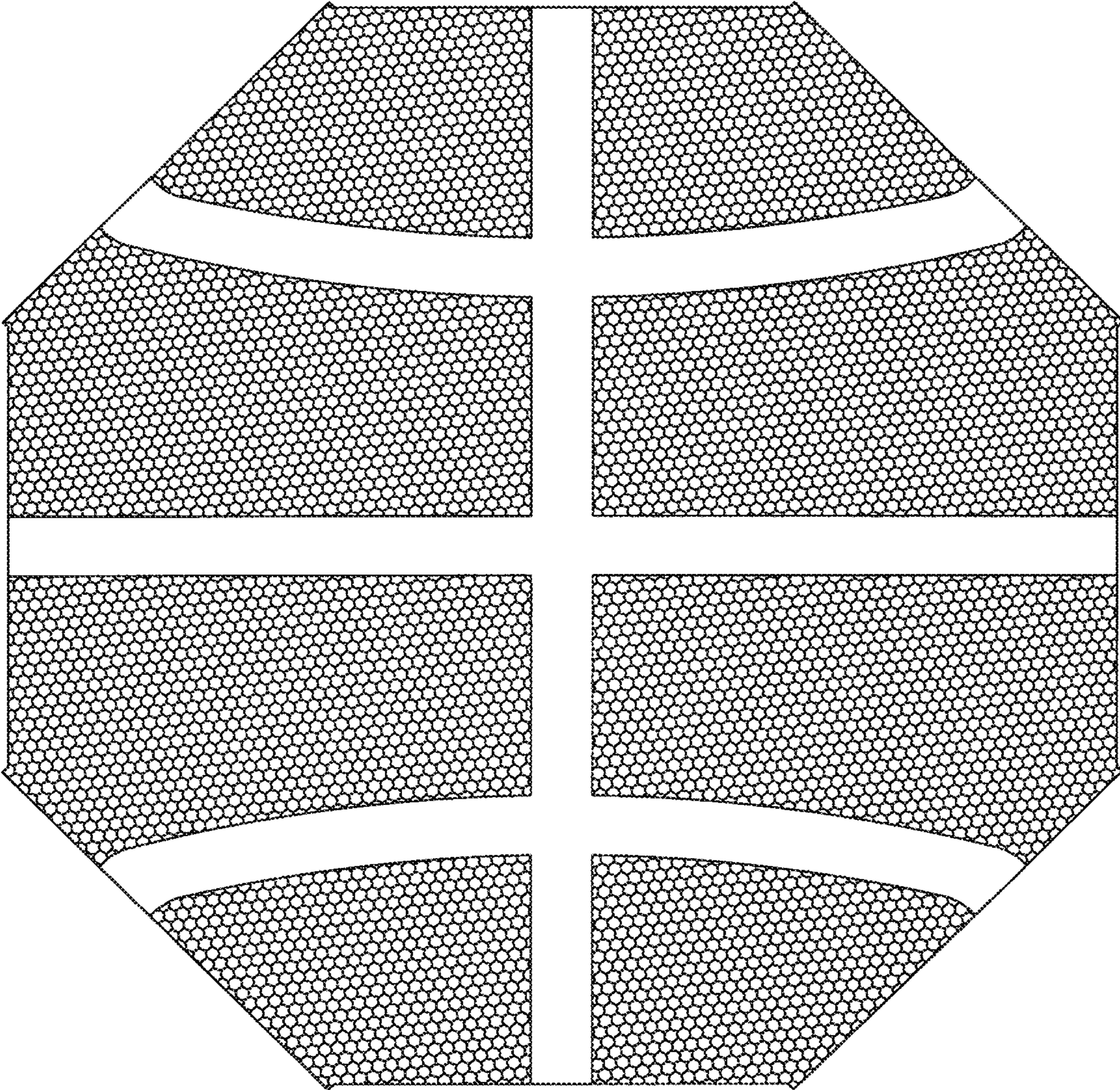


FIG. 3

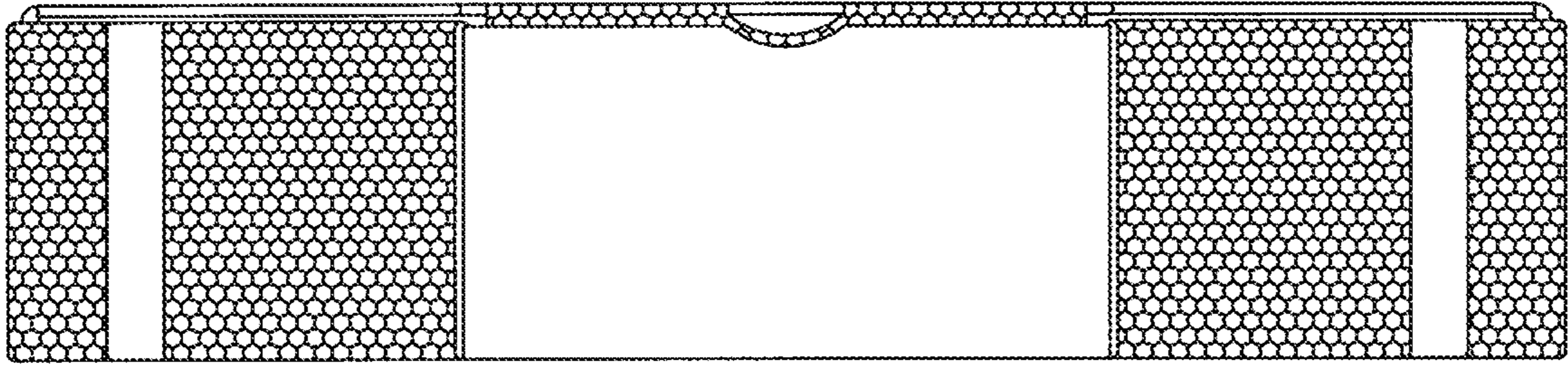


FIG. 4

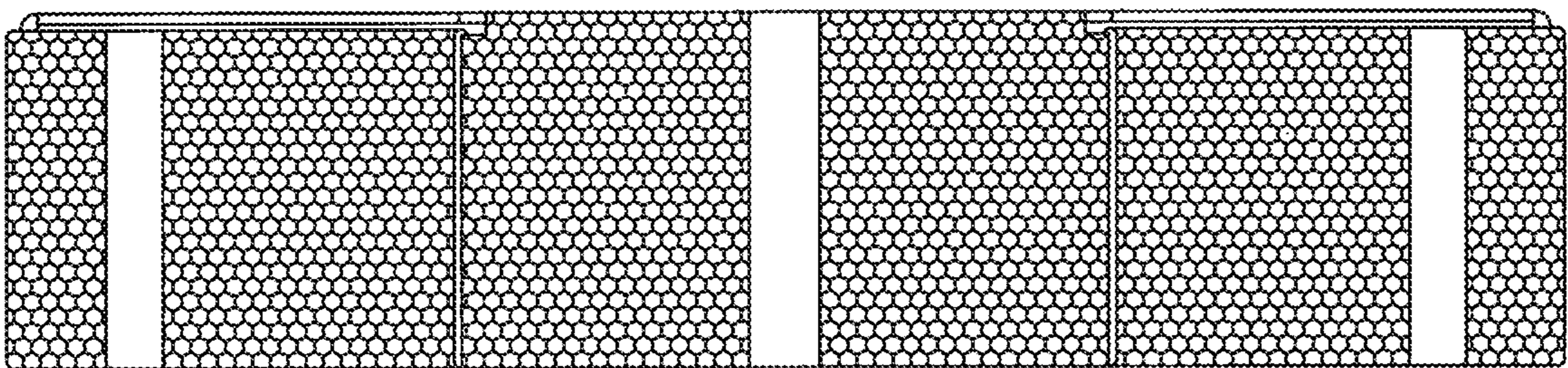


FIG. 5

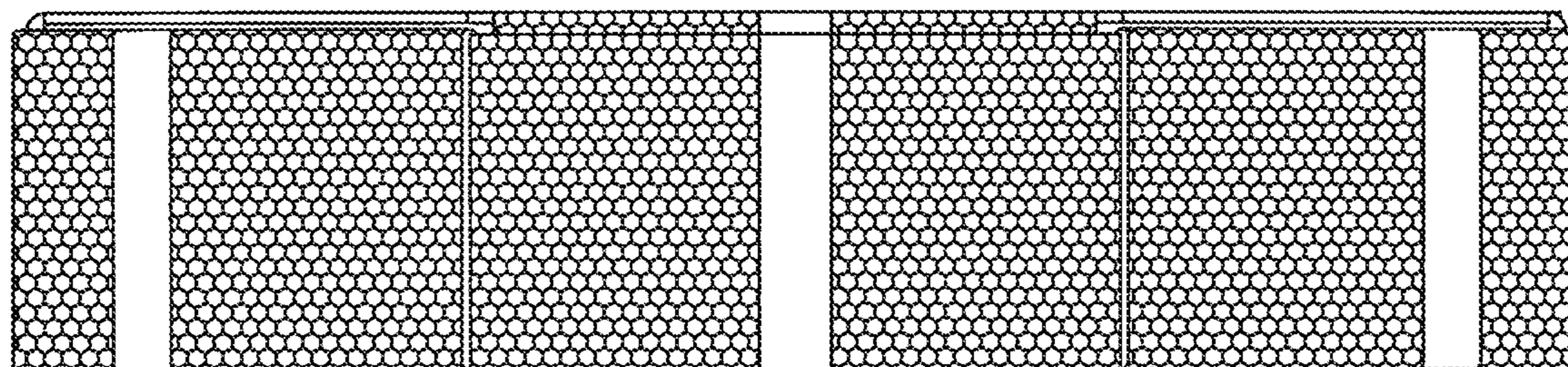


FIG. 6

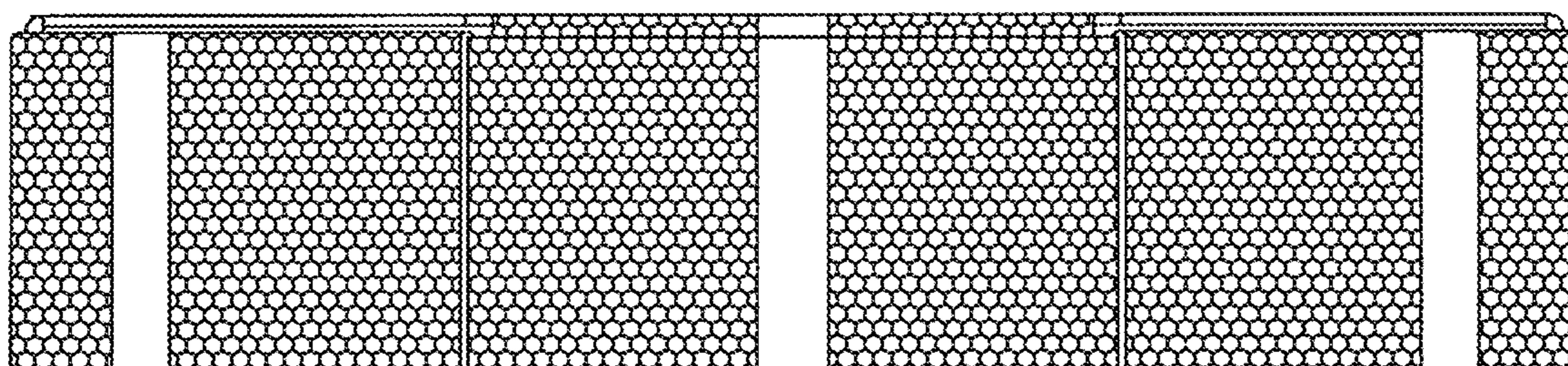


FIG. 7

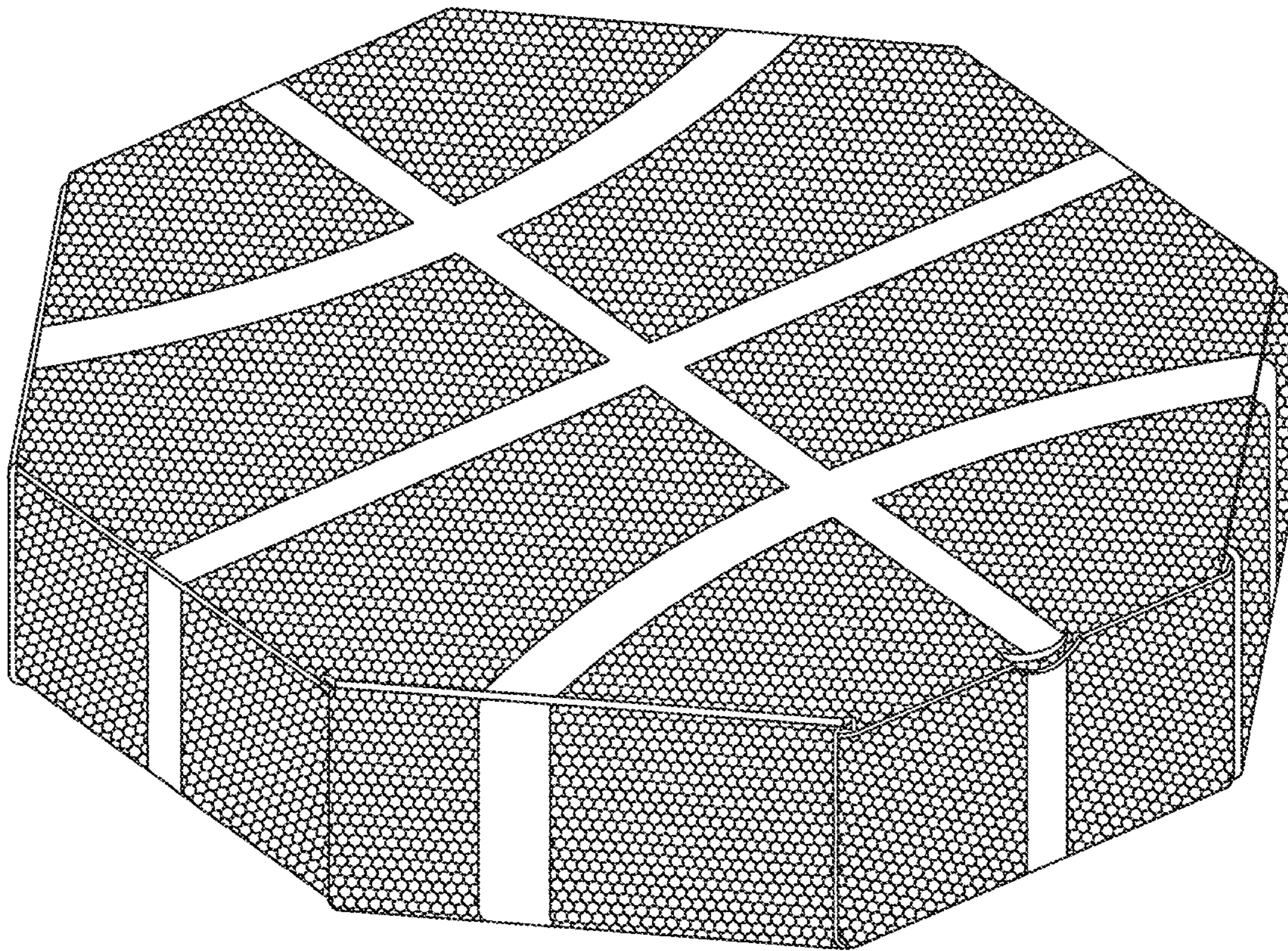


FIG. 8

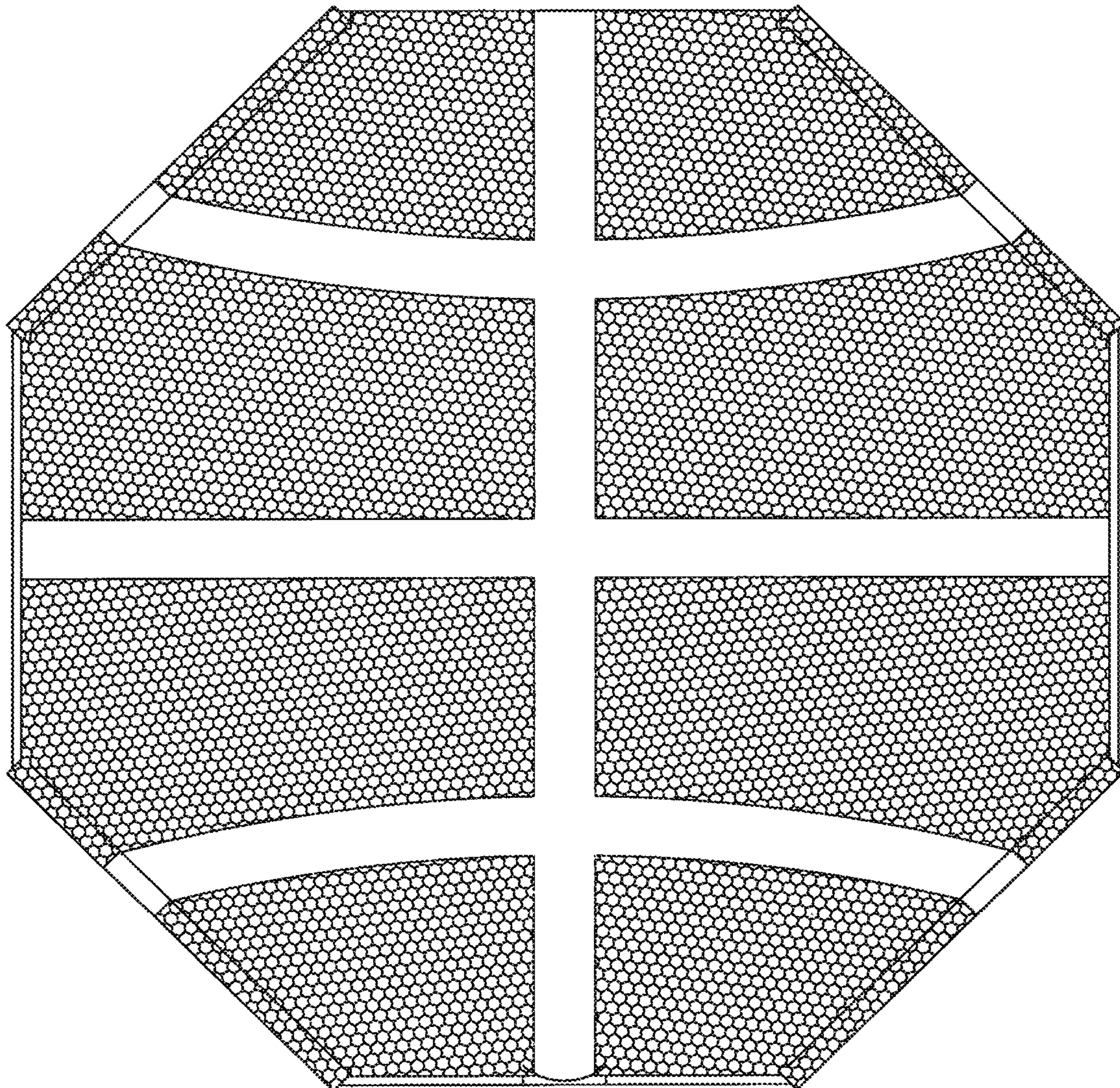


FIG. 9

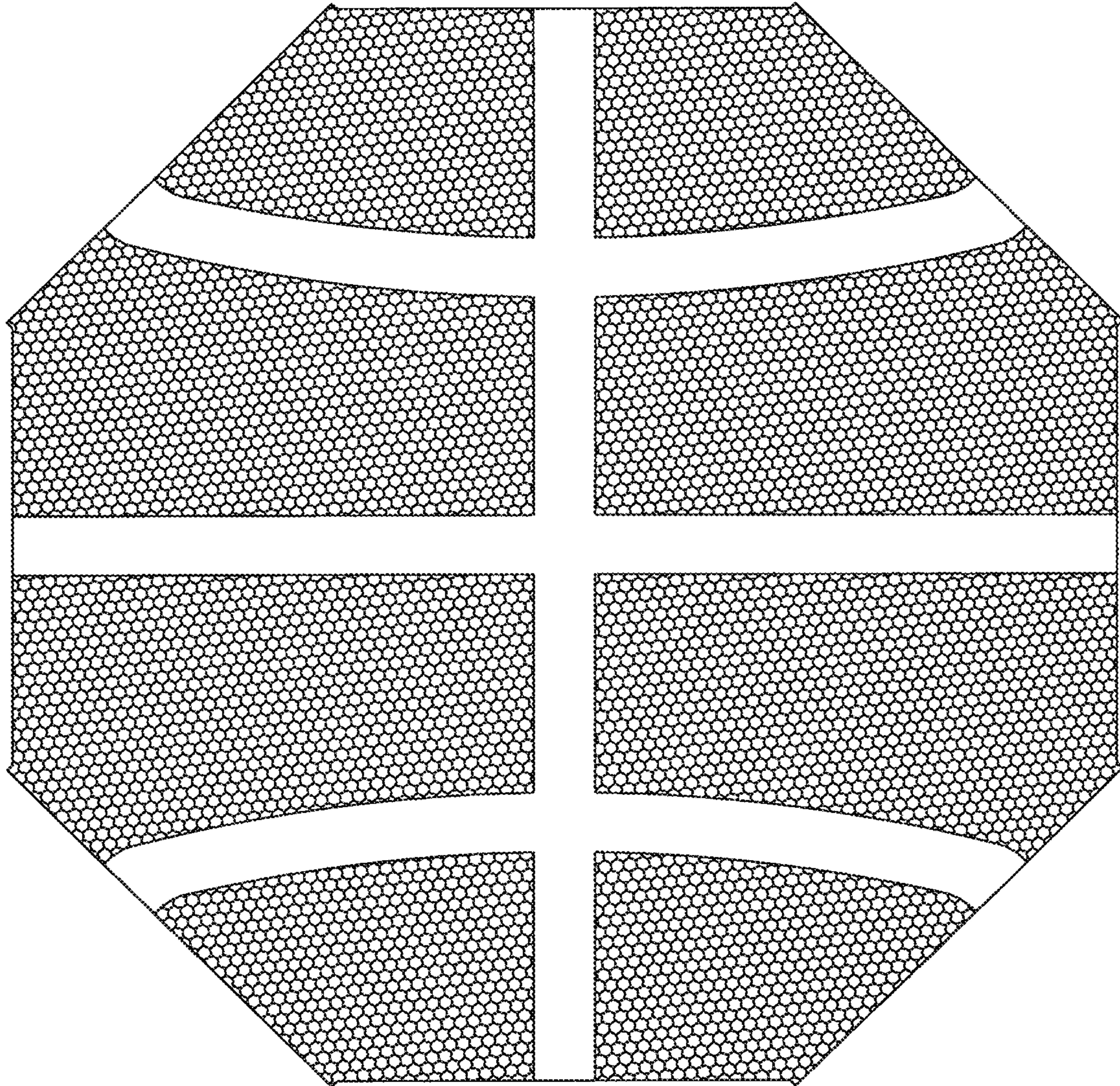


FIG. 10

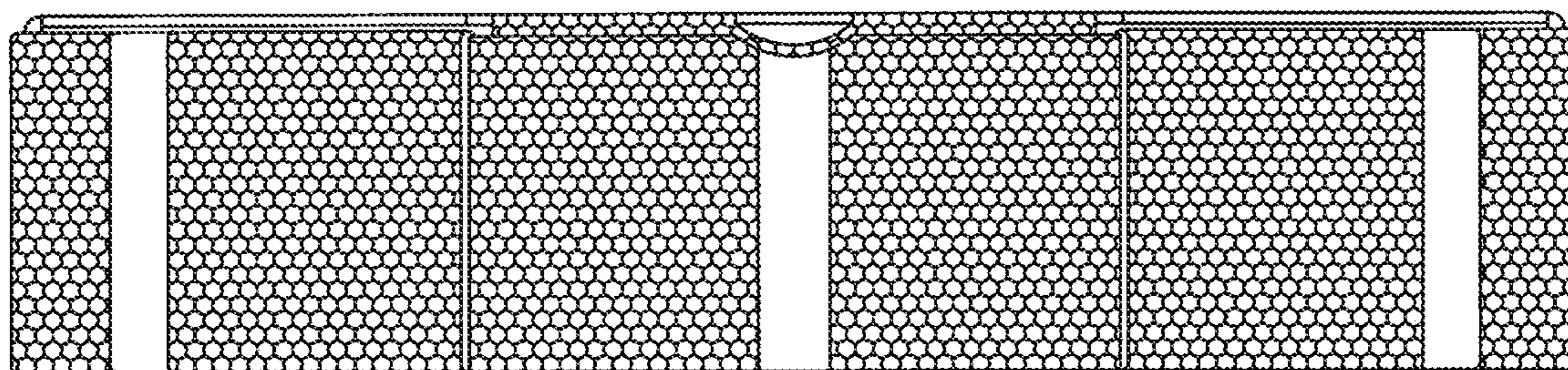


FIG. 11

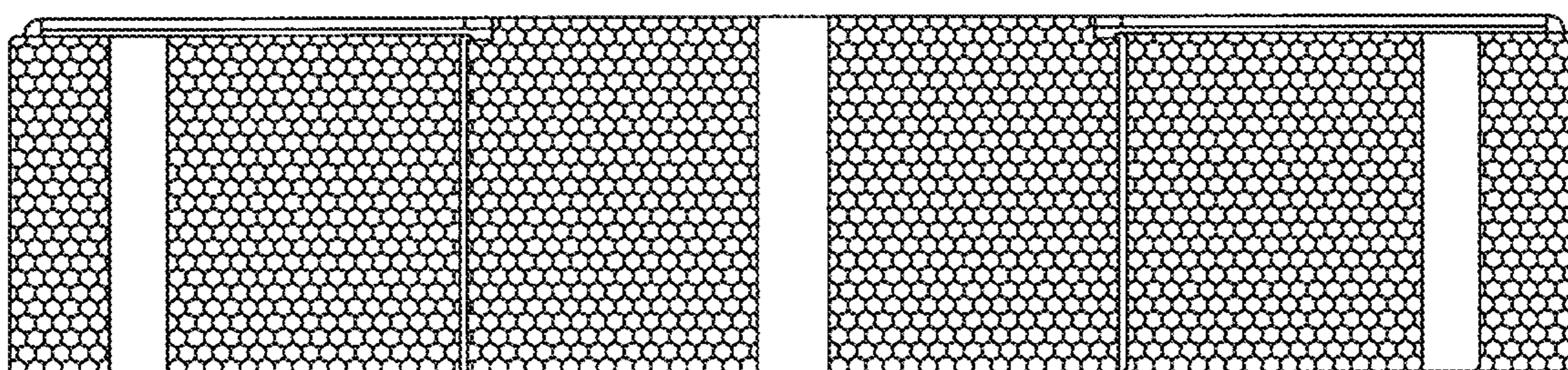


FIG. 12

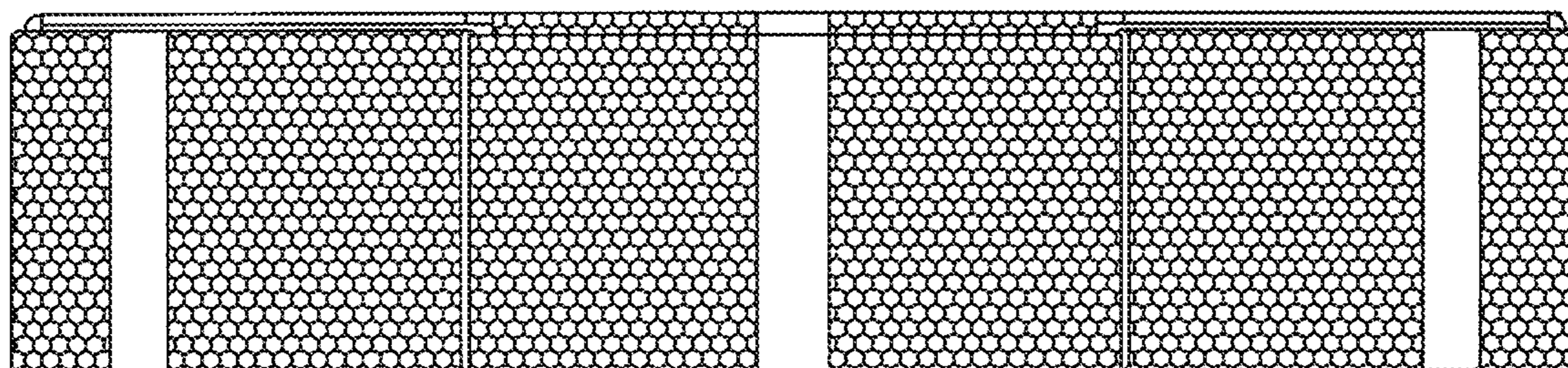


FIG. 13

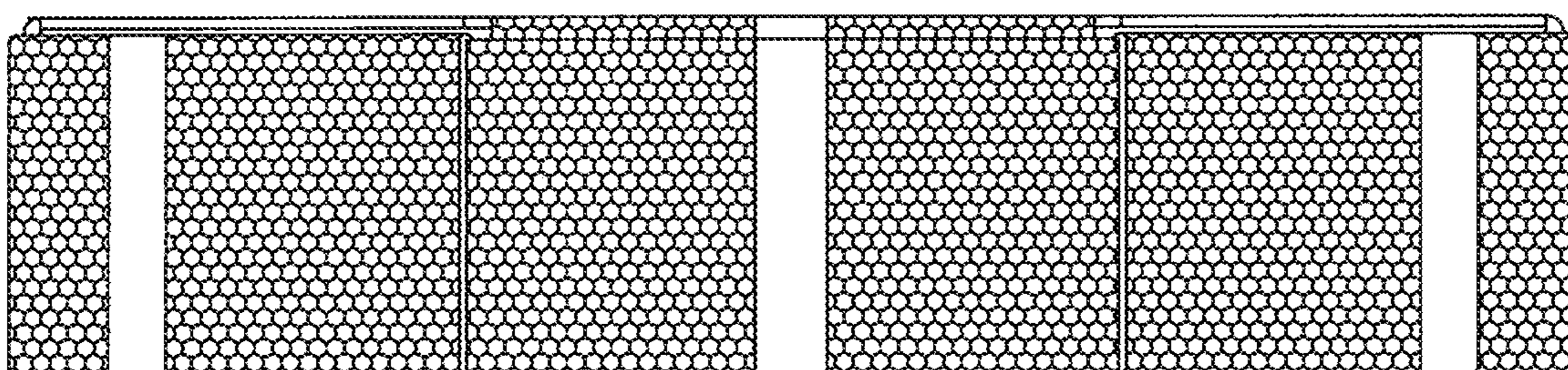


FIG. 14