

US00D902728S

(12) **United States Design Patent**  
**Clark et al.**

(10) **Patent No.:** **US D902,728 S**

(45) **Date of Patent:** **\*\* Nov. 24, 2020**

(54) **BOTTLE**

(71) Applicant: **TTi (Macao Commercial Offshore) Limited**, Macau (MO)

(72) Inventors: **Gregory Clark**, Charlotte, NC (US);  
**Mohammed Irfan**, Huntersville, NC (US)

(73) Assignee: **Techtronic Floor Care Technology Limited**, Tortola (VG)

(\*\*) Term: **15 Years**

(21) Appl. No.: **29/676,366**

(22) Filed: **Jan. 10, 2019**

(51) **LOC (12) Cl.** ..... **09-01**

(52) **U.S. Cl.**  
USPC ..... **D9/523; D9/528**

(58) **Field of Classification Search**  
USPC ..... D9/521, 523, 528, 529, 544, 550, 574,  
D9/500, 531, 543, 560, 563, 575, 905,  
D9/907, 526, 685; D7/300, 300.1, 510,  
D7/598; D23/211.1, 211.2; 215/398;  
D34/39; 220/6; 206/0.6

CPC ..... B65D 1/0223; B65D 23/10; B65D  
2501/0081; B65D 21/0231; B65D 1/0284;  
A47J 43/27; A47J 41/0077; A47J 19/023

See application file for complete search history.

(56) **References Cited**

**U.S. PATENT DOCUMENTS**

D321,315 S	*	11/1991	Halm	.....	D9/685
D321,322 S	*	11/1991	Fuchs	.....	D9/523
D331,195 S	*	11/1992	Weckman	.....	D9/523
D332,392 S	*	1/1993	Foster	.....	D9/685
D334,343 S	*	3/1993	Leslie et al.	.....	D9/523
D342,678 S	*	12/1993	Warner	.....	D9/523
D372,428 S	*	8/1996	Malmquist	.....	D9/523
D385,794 S	*	11/1997	Goettner	.....	D9/523

D392,568 S	*	3/1998	Goettner	.....	D9/526
D402,561 S	*	12/1998	Utrup	.....	D9/526
D403,588 S	*	1/1999	Jungmann	.....	D9/523
D406,052 S	*	2/1999	Dumont	.....	D9/685
D420,290 S	*	2/2000	Dean	.....	D9/523
D434,665 S	*	12/2000	Wetherell, Jr.	.....	D9/523
D444,708 S	*	7/2001	Cummings	.....	D9/523
D466,402 S	*	12/2002	Cummings	.....	D9/685
D484,056 S		12/2003	Wiper		
D485,186 S		1/2004	Wiper		
D486,396 S		2/2004	Stinedurf		
D486,397 S	*	2/2004	Crawford	.....	D9/523
D486,738 S		2/2004	Wiper		
D488,066 S	*	4/2004	Nelson	.....	D9/523
D490,319 S		5/2004	Wiper		

(Continued)

**FOREIGN PATENT DOCUMENTS**

CN	303295587	*	7/2015
CN	303698460	*	6/2016

*Primary Examiner* — Brett Miller

*Assistant Examiner* — Rani J Abdallah

(74) *Attorney, Agent, or Firm* — Michael Best & Friedrich LLP

(57) **CLAIM**

We claim the ornamental design for a bottle, as shown and described.

**DESCRIPTION**

FIG. 1 is a perspective view of a bottle.

FIG. 2 is a first side view of the bottle of FIG. 1.

FIG. 3 is a second side view of the bottle of FIG. 1.

FIG. 4 is a third side view of the bottle of FIG. 1.

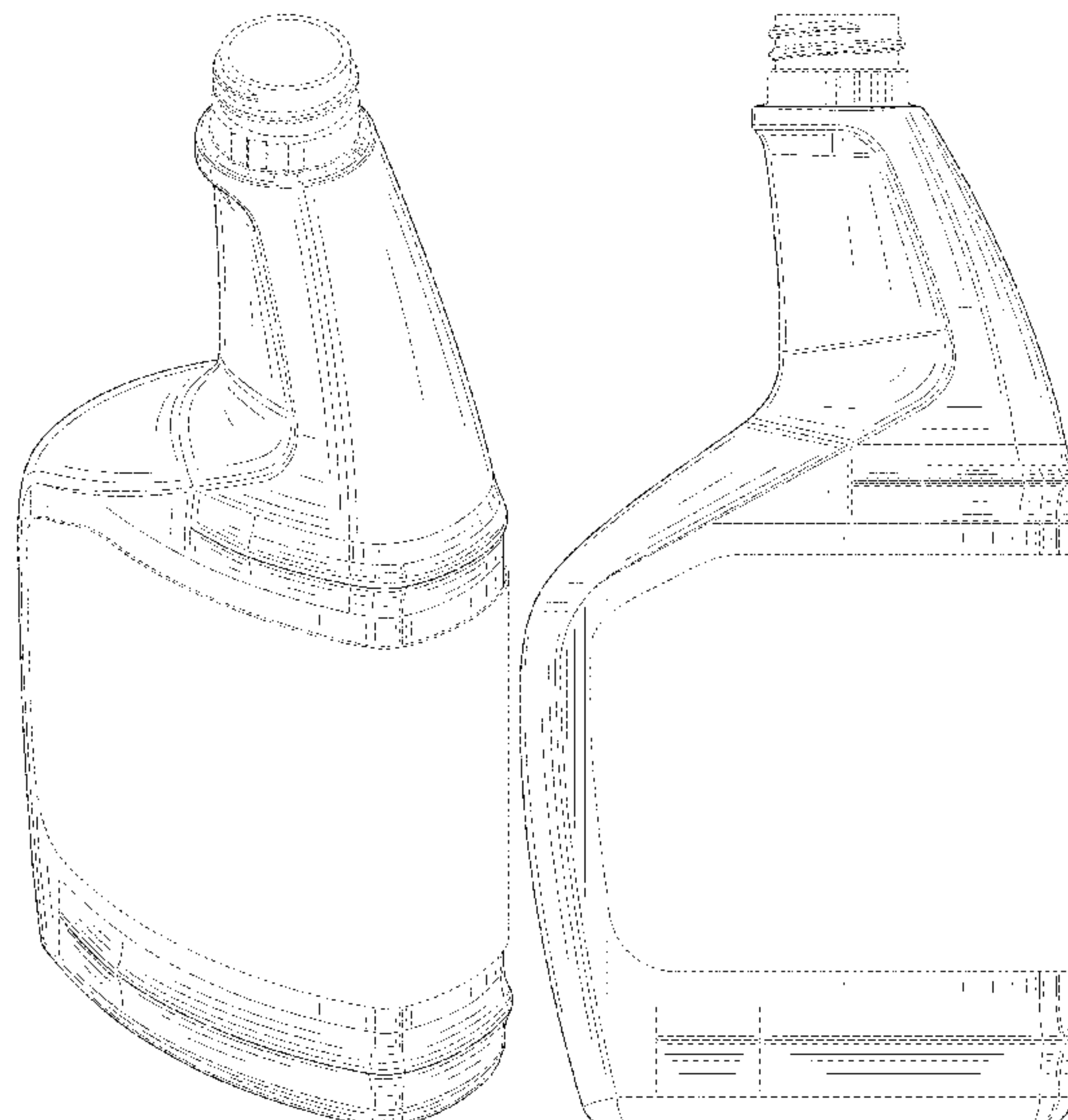
FIG. 5 is a fourth side view of the bottle of FIG. 1.

FIG. 6 is a top side view of the bottle of FIG. 1; and,

FIG. 7 is a bottom side view of the bottle of FIG. 1.

The elements shown in broken lines form no part of the claimed design and are included for the purpose of showing the environment of the claimed design.

**1 Claim, 6 Drawing Sheets**



(56)

References Cited

U.S. PATENT DOCUMENTS

D490,712 S *	6/2004	Feen .....	D9/523	D655,175 S	3/2012	Young et al.	
D501,405 S *	2/2005	Feen .....	D9/523	D670,168 S *	11/2012	Borger .....	D9/523
D501,796 S *	2/2005	Crawford .....	D9/523	D673,861 S *	1/2013	Williams .....	D9/685
D507,183 S	7/2005	Spellissy		D681,470 S *	5/2013	Martel .....	D9/523
D510,869 S *	10/2005	Gross .....	D9/523	D693,691 S *	11/2013	Nachtsheim .....	D9/523
D543,852 S	6/2007	Warren		D703,539 S *	4/2014	Williams .....	D9/523
D556,583 S	12/2007	Gurst et al.		D705,662 S	5/2014	Martin	
D557,608 S *	12/2007	Feen .....	D9/523	D719,451 S *	12/2014	Hyder .....	D9/523
D563,227 S *	3/2008	Feen .....	D9/523	D732,962 S	6/2015	Hawry	
D578,004 S	10/2008	Houck et al.		D734,156 S	7/2015	Hawry	
D581,273 S	11/2008	Adamson et al.		D736,637 S *	8/2015	Castillo Higareda .....	D9/528
D581,805 S *	12/2008	Suxdorf .....	D9/685	D739,247 S	9/2015	McDonnell	
D589,349 S *	3/2009	Prater .....	D9/523	D747,968 S	1/2016	Martin	
D589,806 S *	4/2009	Snyder .....	D9/523	D749,953 S	2/2016	Handy	
D592,514 S	5/2009	Schwartz et al.		D766,723 S	9/2016	Hawry et al.	
D593,416 S *	6/2009	Medema .....	D9/523	D768,496 S	10/2016	Beckermann et al.	
D628,493 S *	12/2010	Fontaine .....	D9/685	D773,308 S	12/2016	Beckermann et al.	
D632,586 S *	2/2011	Bowers .....	D9/685	D780,585 S *	3/2017	Nho .....	D9/575
D633,801 S	3/2011	Adamson et al.		D797,561 S	9/2017	Eziquiel-Shriro	
D643,738 S	8/2011	Cummings et al.		D800,569 S	10/2017	Eziquiel-Shriro	
D652,729 S	1/2012	Young et al.		D811,885 S	3/2018	Sanguinet et al.	
				D818,827 S	5/2018	Berger et al.	
				D891,258 S *	7/2020	Clark .....	D9/528
				D891,259 S *	7/2020	Clark .....	D9/528

\* cited by examiner

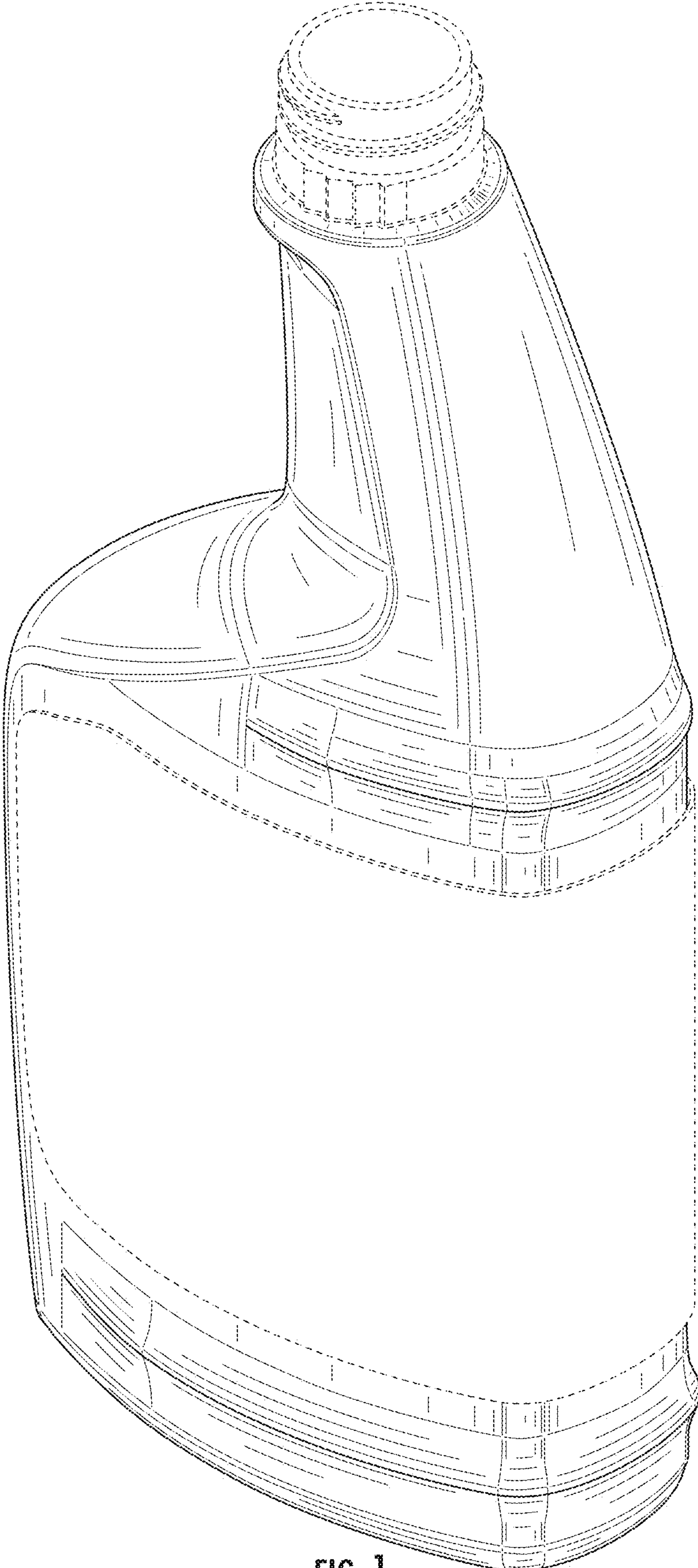


FIG. 1



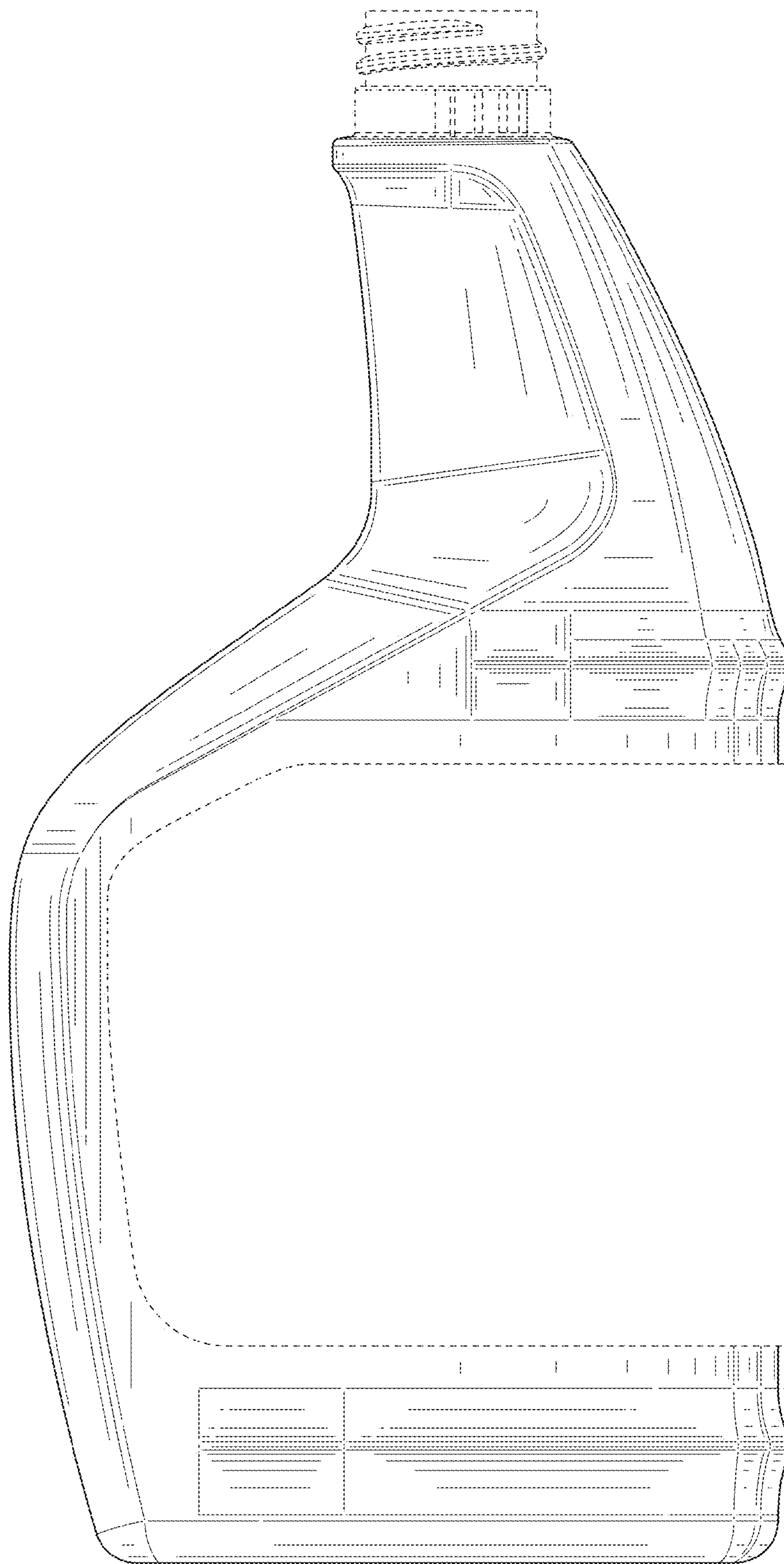


FIG. 2

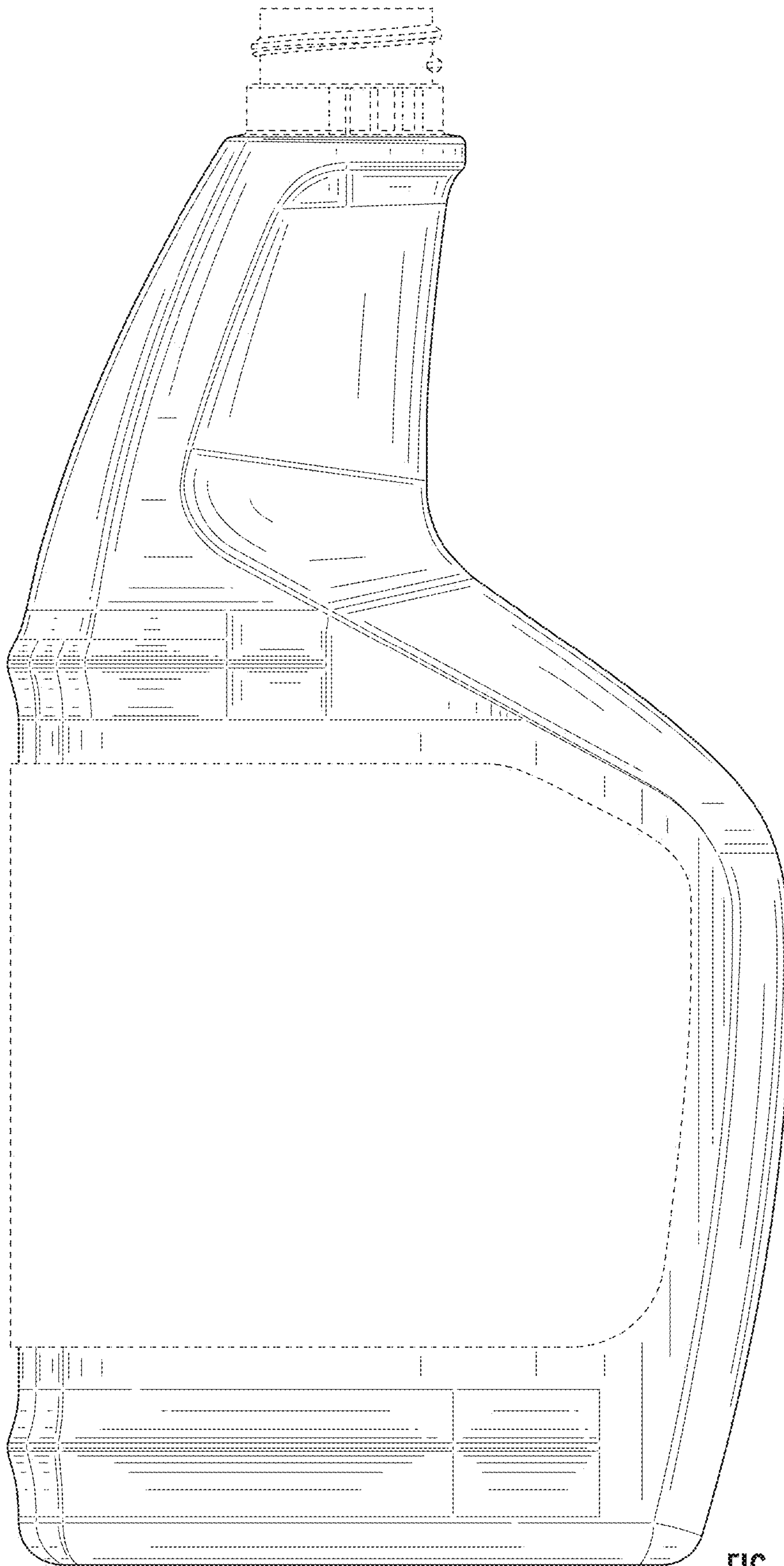


FIG. 3

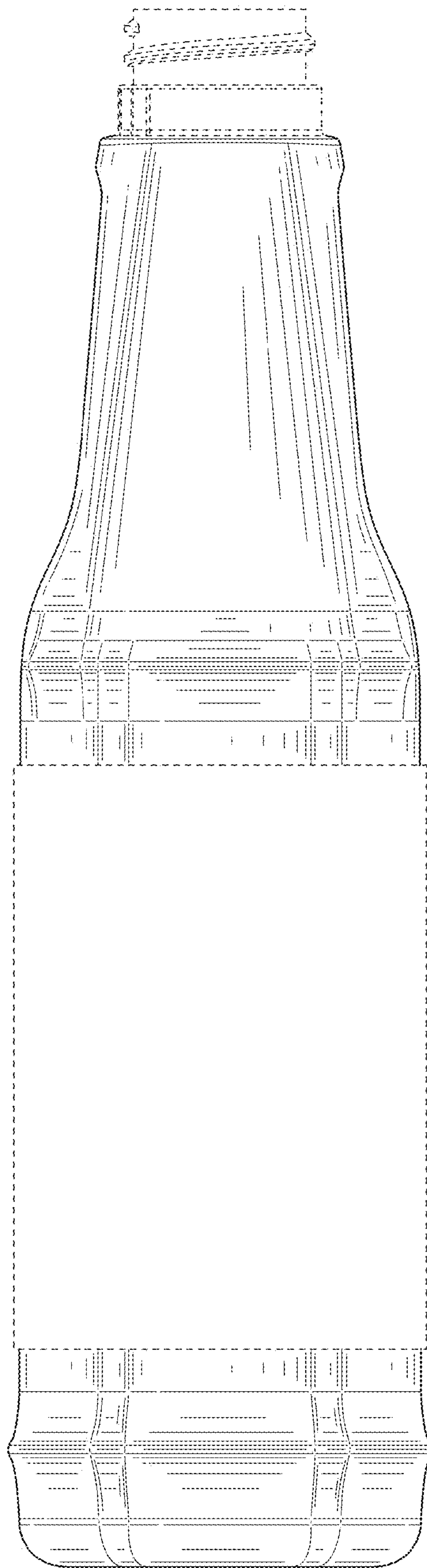


FIG. 4

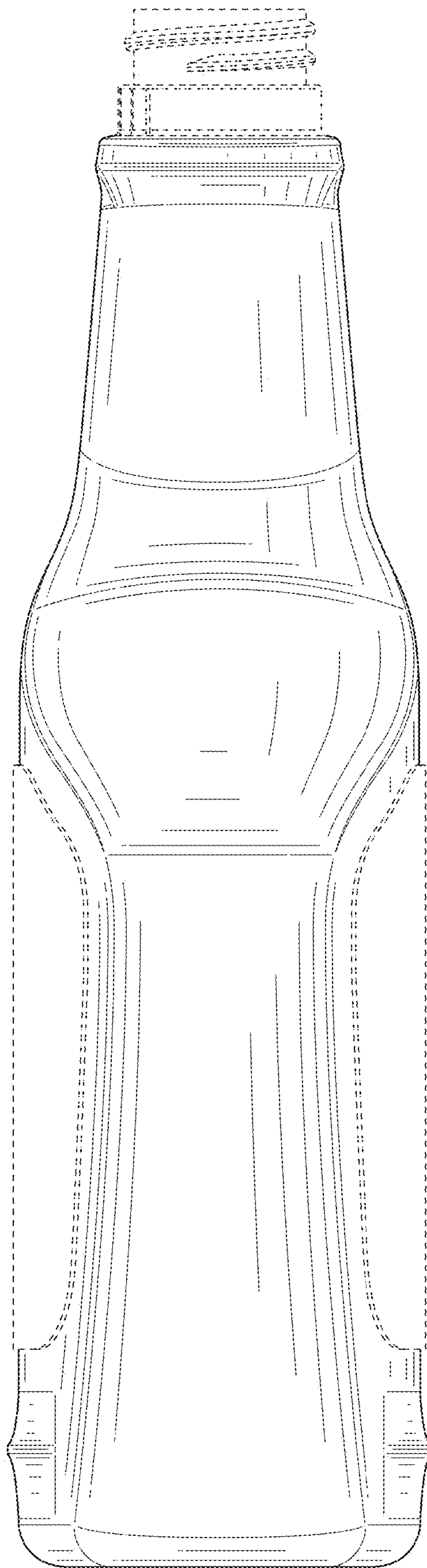


FIG. 5

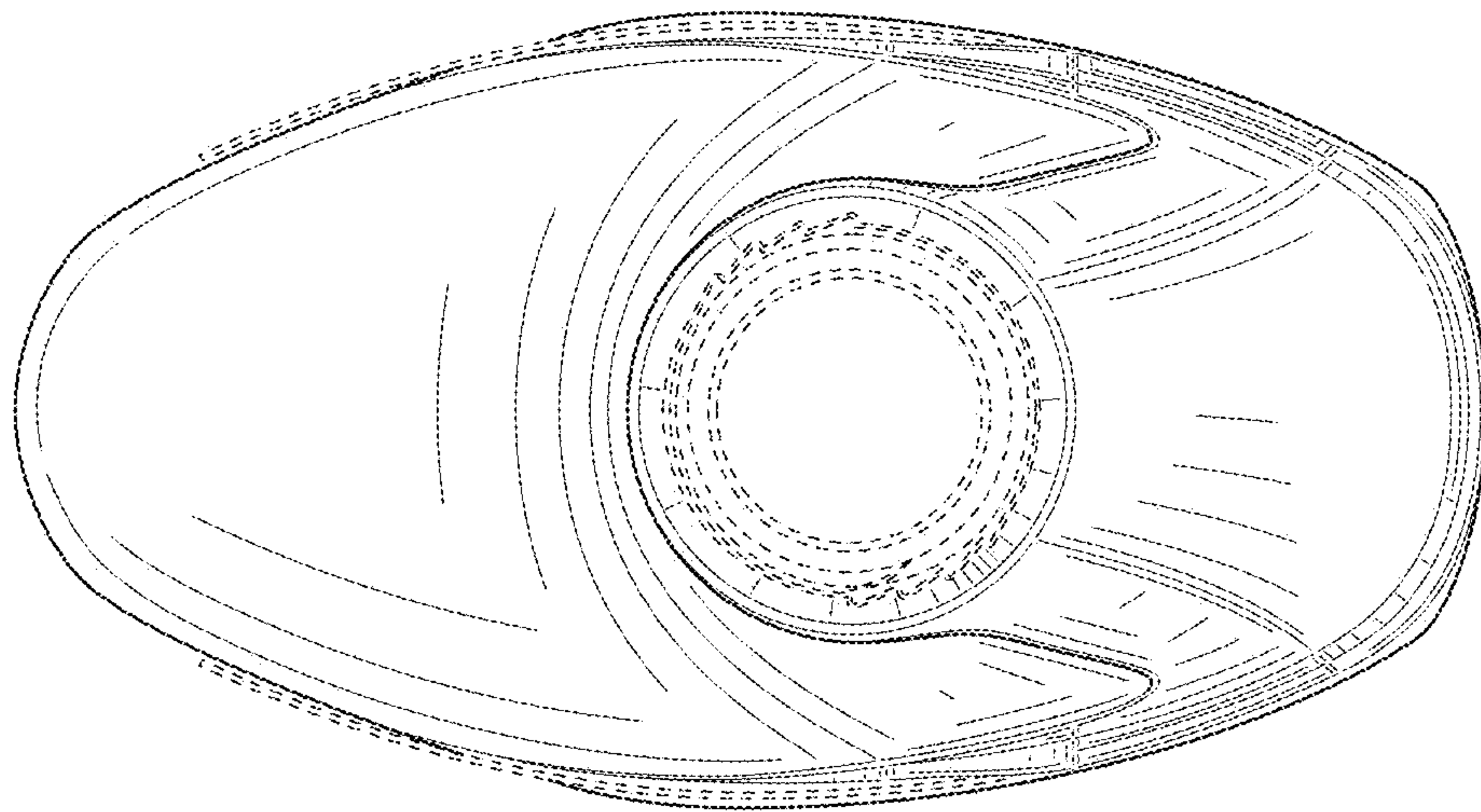


FIG. 6

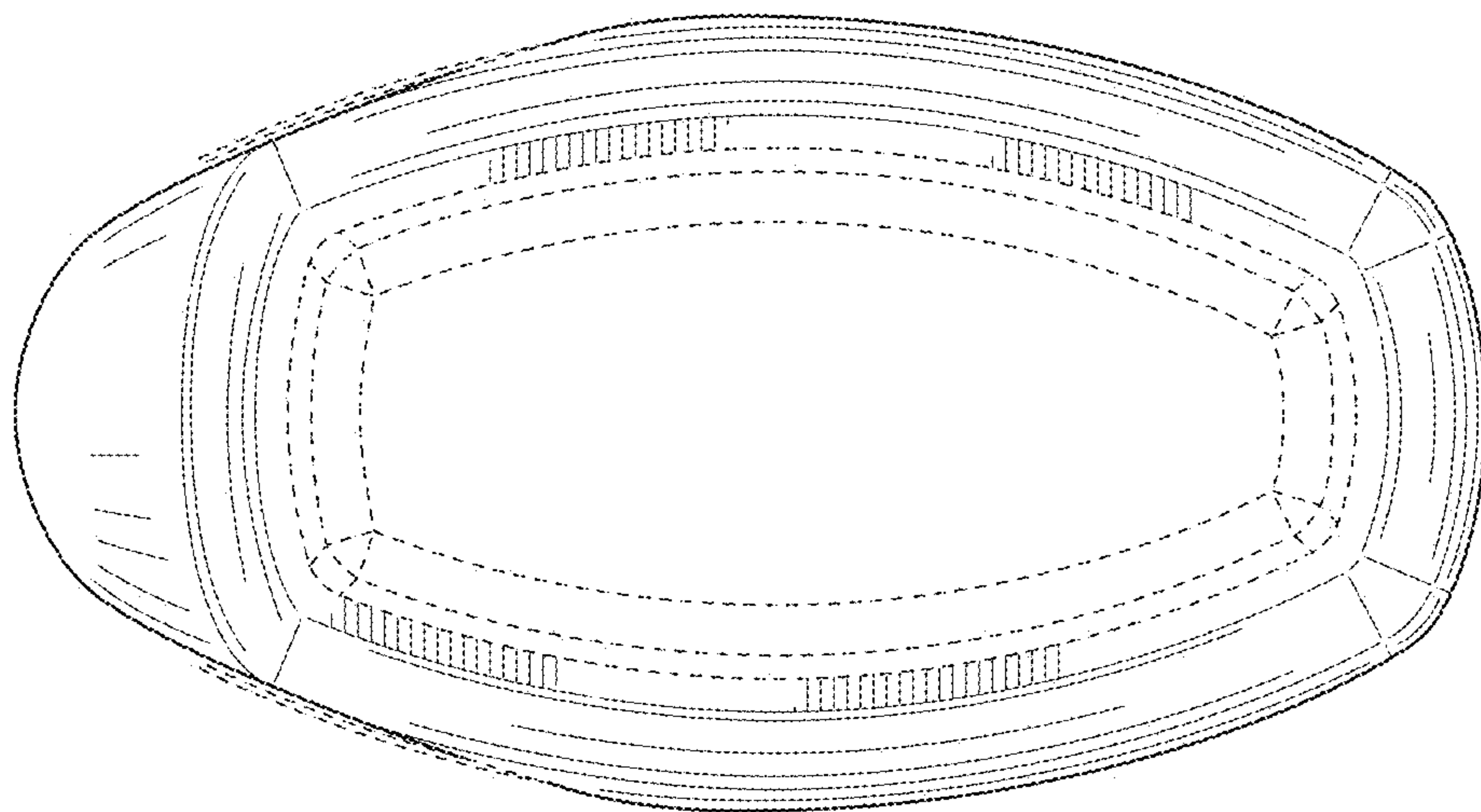


FIG. 7