



US00D902726S

(12) **United States Design Patent** (10) **Patent No.:** **US D902,726 S**
Meza et al. (45) **Date of Patent:** **** Nov. 24, 2020**

(54) **PORTION OF A LIQUID CONTAINER**

(71) Applicant: **Walmart Apollo, LLC**, Bentonville, AR (US)

(72) Inventors: **Luis Meza**, Bella Vista, AR (US);
Taylor Young, Bentonville, AR (US);
Todd Wetmore, Bentonville, AR (US)

(73) Assignee: **WALMART APOLLO, LLC**, Bentonville, AR (US)

(**) Term: **15 Years**

(21) Appl. No.: **29/674,656**

(22) Filed: **Dec. 21, 2018**

(51) **LOC (12) Cl.** **09-01**

(52) **U.S. Cl.**
USPC **D9/516; D9/575**

(58) **Field of Classification Search**
USPC D9/522, 531, 540, 516, 565, 542, 520,
D9/552, 538, 557, 560, 543, 528, 556,
D9/574, 541, 575, 545, 454, 559, 502,
D9/532; 215/382, 384, 396
CPC B65D 1/0223; B65D 2501/0036; B65D
2501/0081; B65D 79/005; B65D 23/102;
B65D 2501/0027; B65D 2501/0018;
B65D 1/44; B65D 23/10; B65D
2501/0045

See application file for complete search history.

(56) **References Cited**

U.S. PATENT DOCUMENTS

D407,650 S * 4/1999 Takahashi D9/531
D425,418 S * 5/2000 Takahashi D9/531
D439,844 S * 4/2001 Takahashi D9/531
D478,288 S * 8/2003 Frazer D9/531
D481,318 S * 10/2003 Iizuka D9/531
D527,649 S * 9/2006 Sasaki D9/531
D528,421 S * 9/2006 Sasaki D9/516
D529,385 S * 10/2006 Gamber D9/516
D577,594 S 9/2008 Sasaki et al.

D612,253 S * 3/2010 Shimamoto D9/543
D623,952 S * 9/2010 Yourist D9/516
D629,696 S * 12/2010 Pedmo D9/565
D665,672 S * 8/2012 Randquist D9/531
D666,496 S * 9/2012 Coley, Jr. D9/516
8,567,624 B2 10/2013 Coley, Jr. et al.
D709,769 S * 7/2014 Yourist D9/516
D727,736 S * 4/2015 Napoli D9/516
D762,119 S 7/2016 Thibodeau
D801,819 S * 11/2017 Dunster D9/531
D805,906 S * 12/2017 Napoli D9/516

(Continued)

FOREIGN PATENT DOCUMENTS

CN 301852191 * 3/2012
CN 303975821 * 12/2016

OTHER PUBLICATIONS

Aditya Varma, "Beware! If you Re-Use Old Plastic Bottles, You Need to Read This", May 20, 2016, <https://www.scoopwhoop.com/Ever-Noticed-Numbers-Printed-Inside-The-Recycle-Triangle-On-Plastics-Heres-What-They-Mean/#.ouxr8a5pd>, captured Sep. 25, 2018, 10 pages.

Primary Examiner — W. A. Teddy Falloway
Assistant Examiner — Rani J Abdallah

(57) **CLAIM**

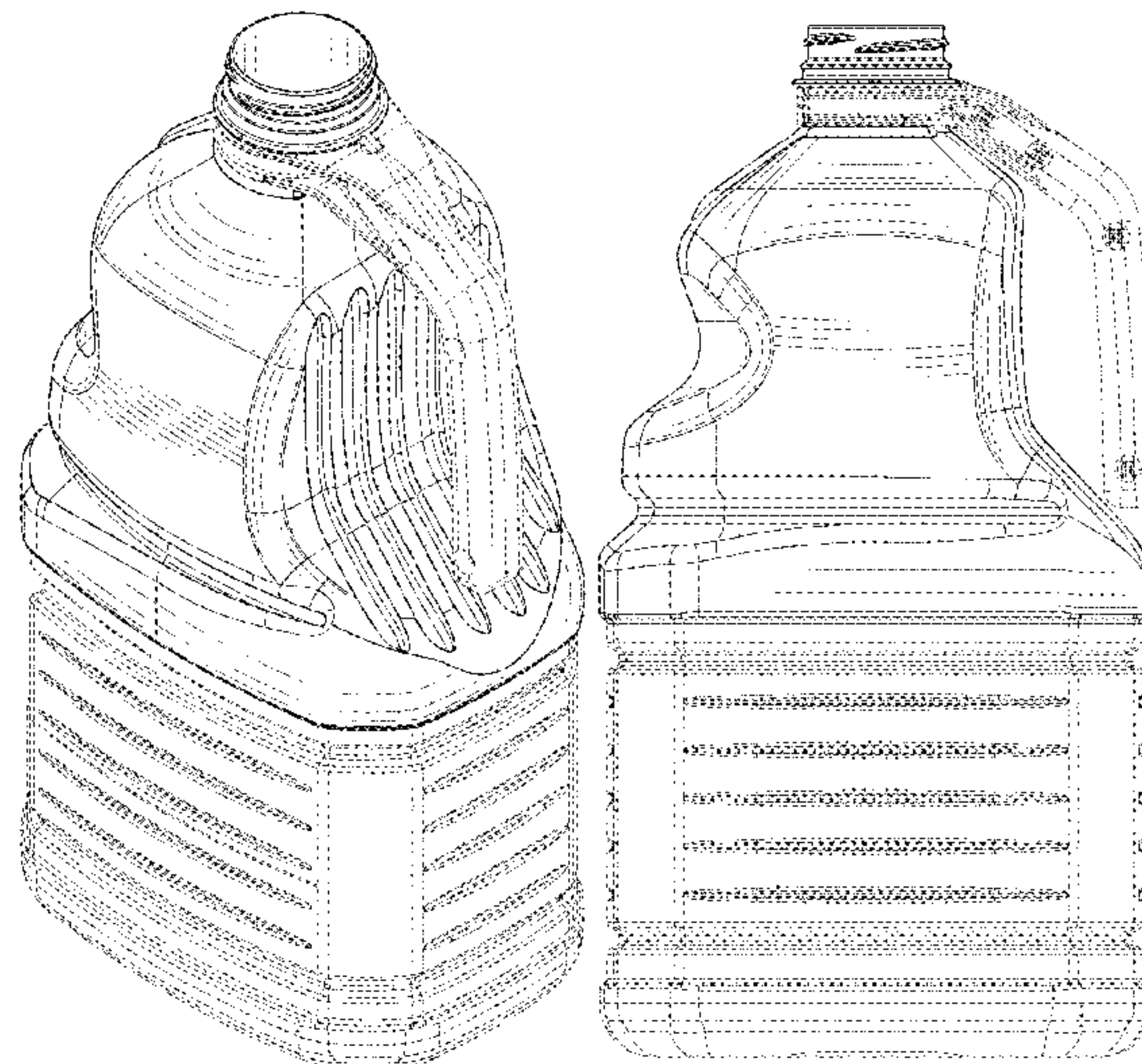
The ornamental design for a portion of a liquid container, as shown and described.

DESCRIPTION

FIG. 1 is a perspective view of a portion of a liquid container of the present invention;
FIG. 2 is a left side view thereof;
FIG. 3 is a right side view thereof;
FIG. 4 is a front view thereof;
FIG. 5 is a back view thereof; and,
FIG. 6 is a top view thereof.

The broken lines shown illustrate environmental structure and form no part of the claimed design.

1 Claim, 6 Drawing Sheets



(56)

References Cited

U.S. PATENT DOCUMENTS

D853,243 S * 7/2019 Arianpour D9/557
2009/0014454 A1 1/2009 Nelson
2011/0049086 A1 3/2011 Boiros et al.
2014/0263162 A1 9/2014 Napoli et al.

* cited by examiner

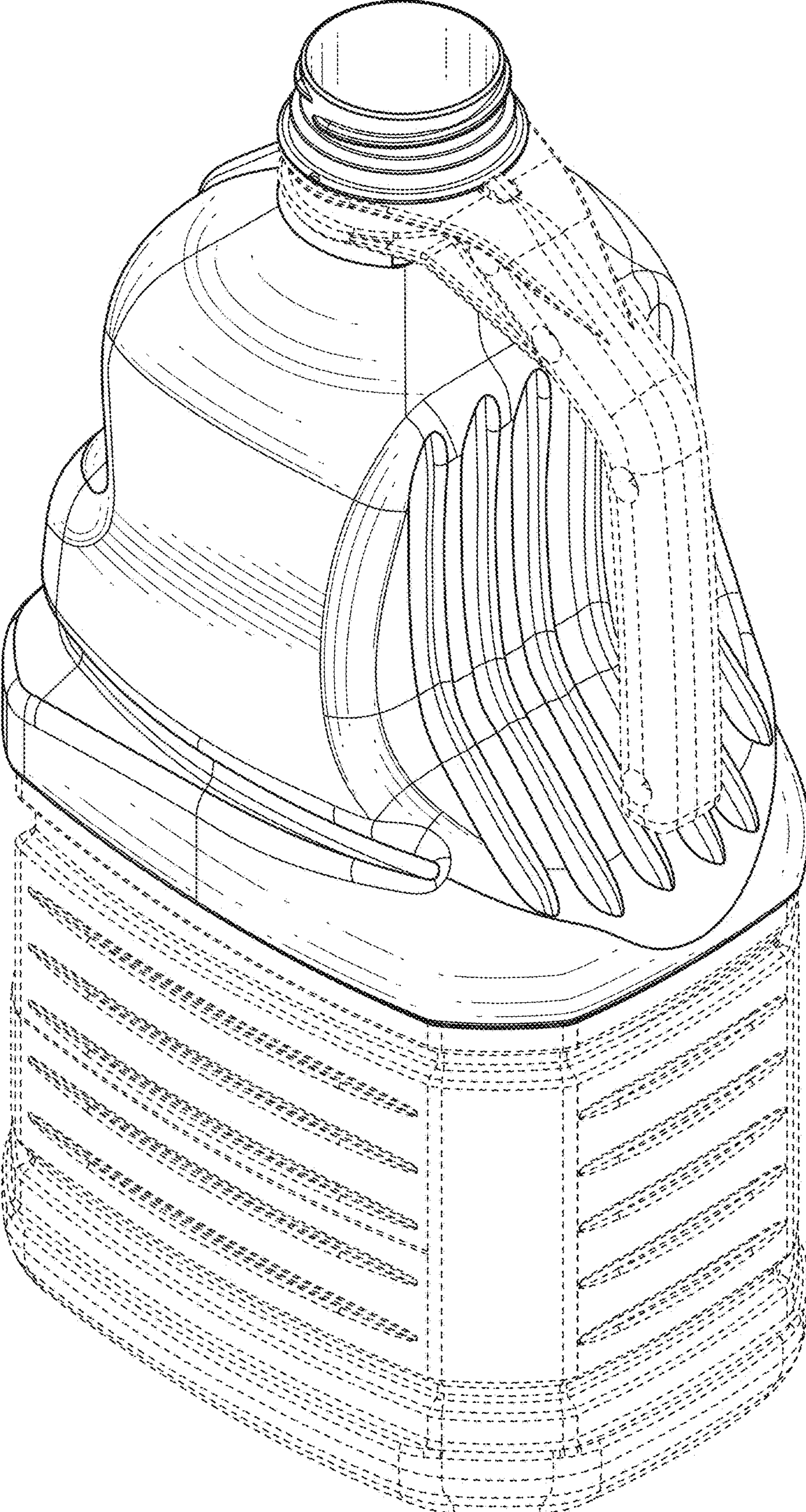


FIG. 1

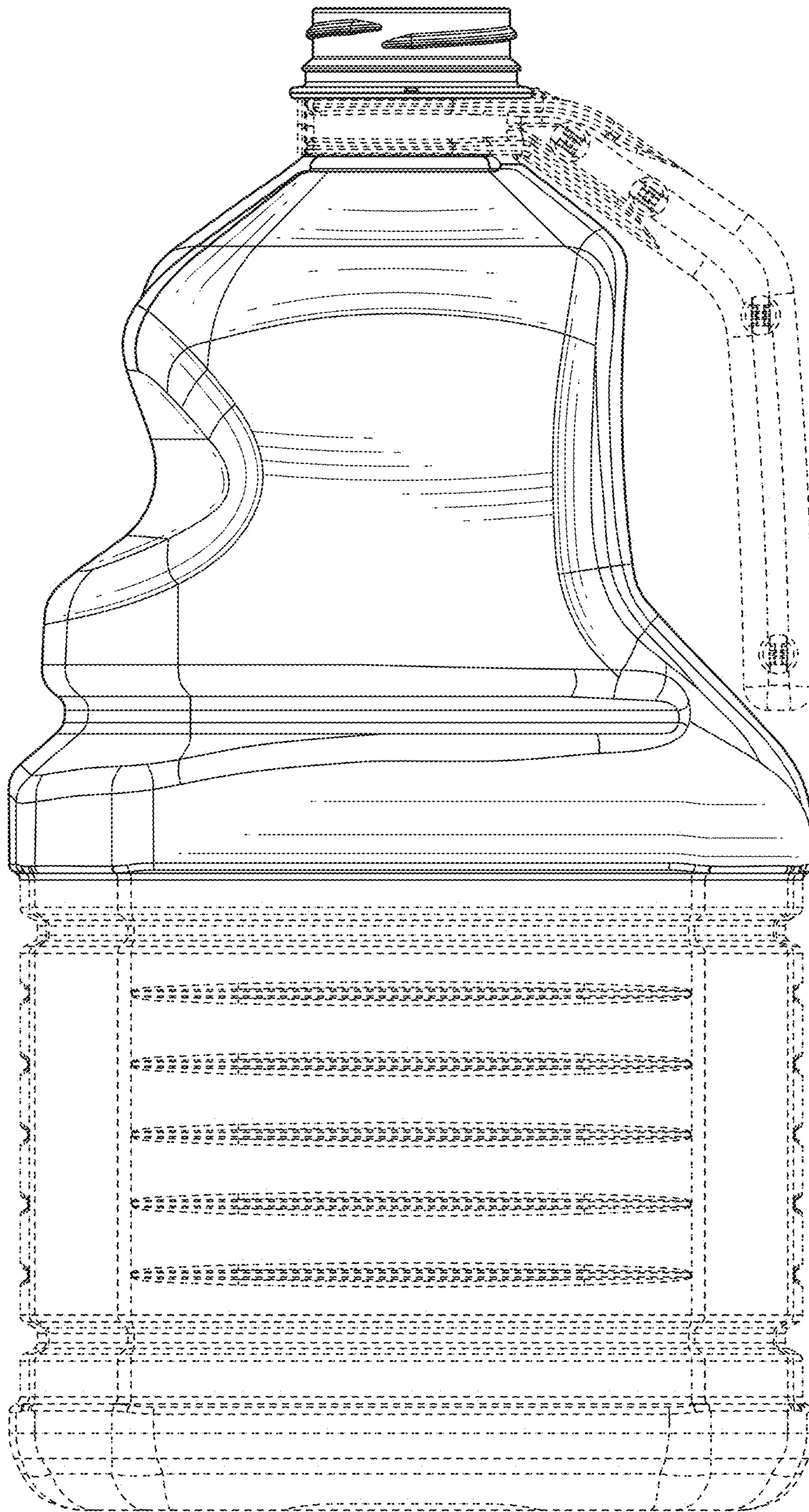


FIG. 2

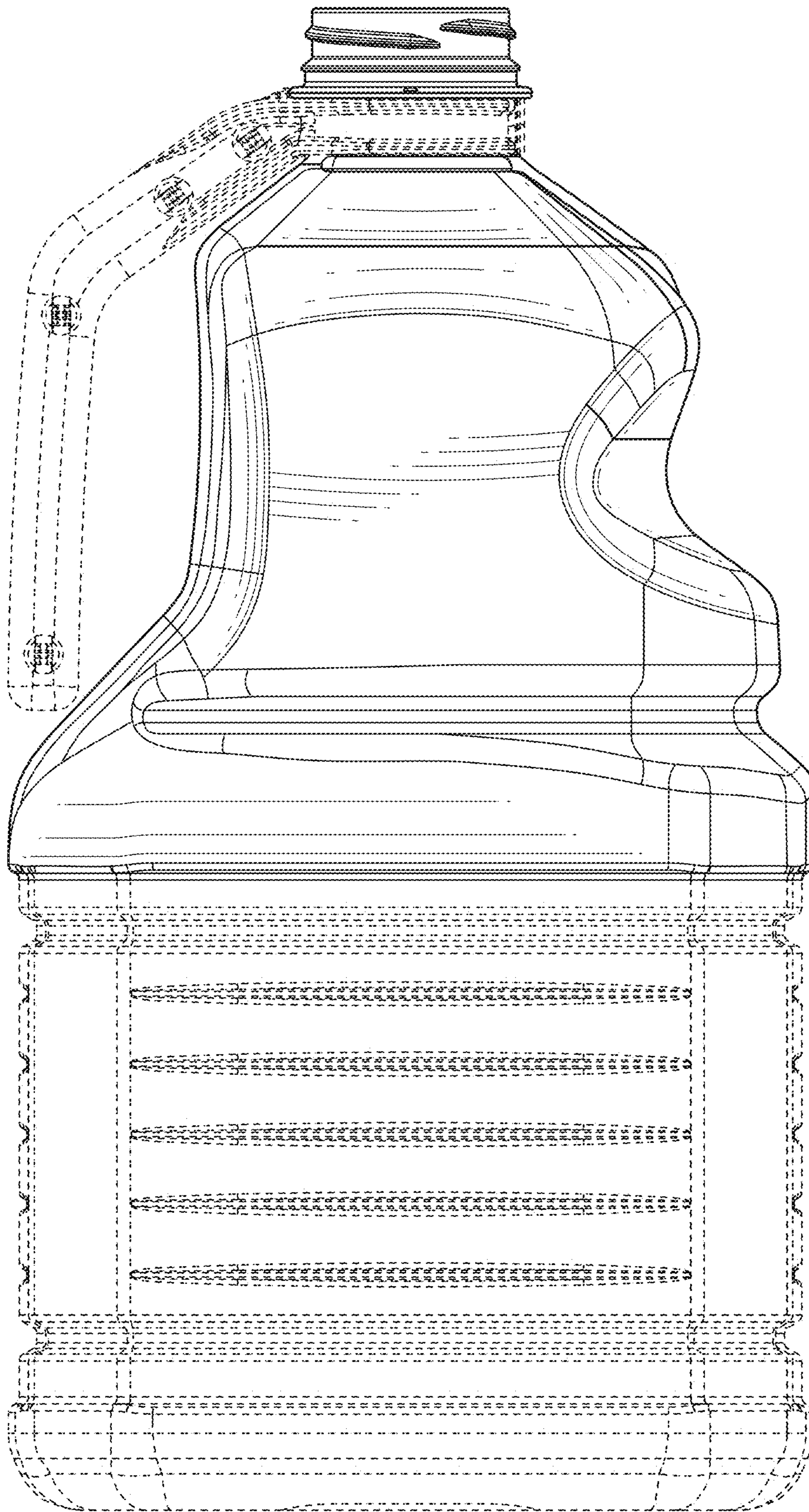


FIG. 3

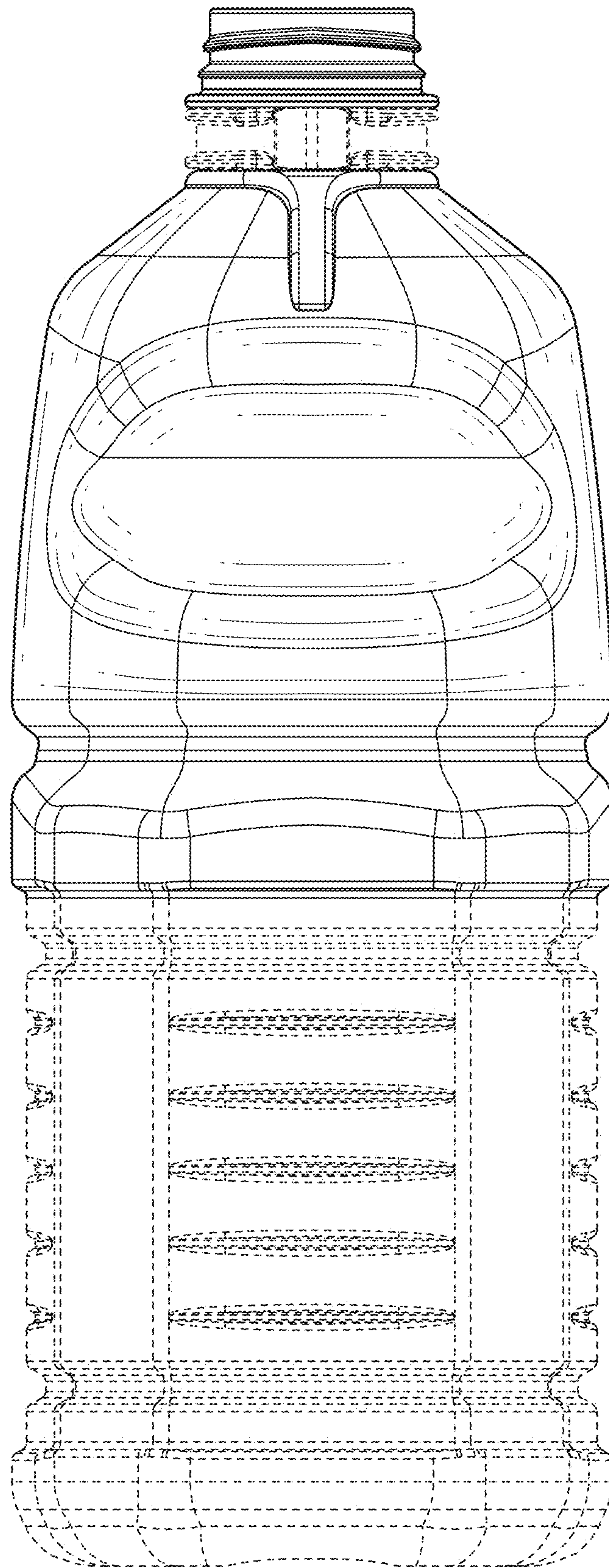


FIG. 4

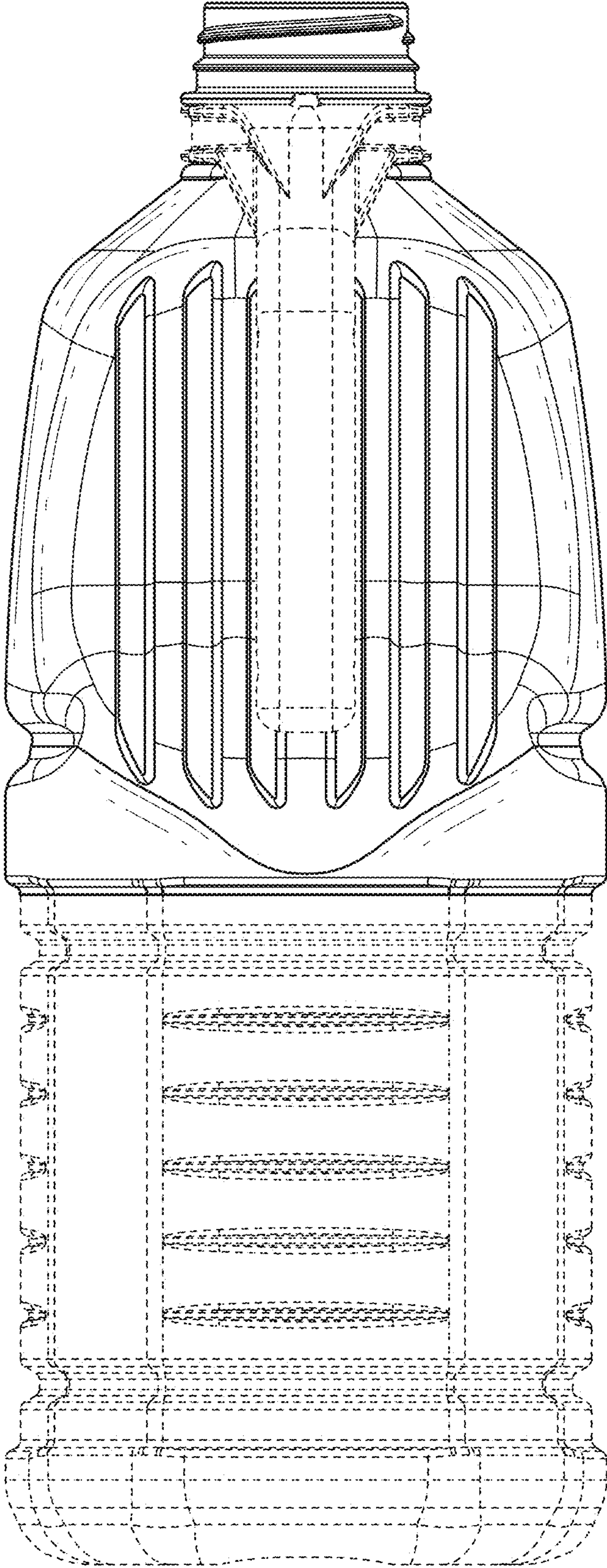


FIG. 5

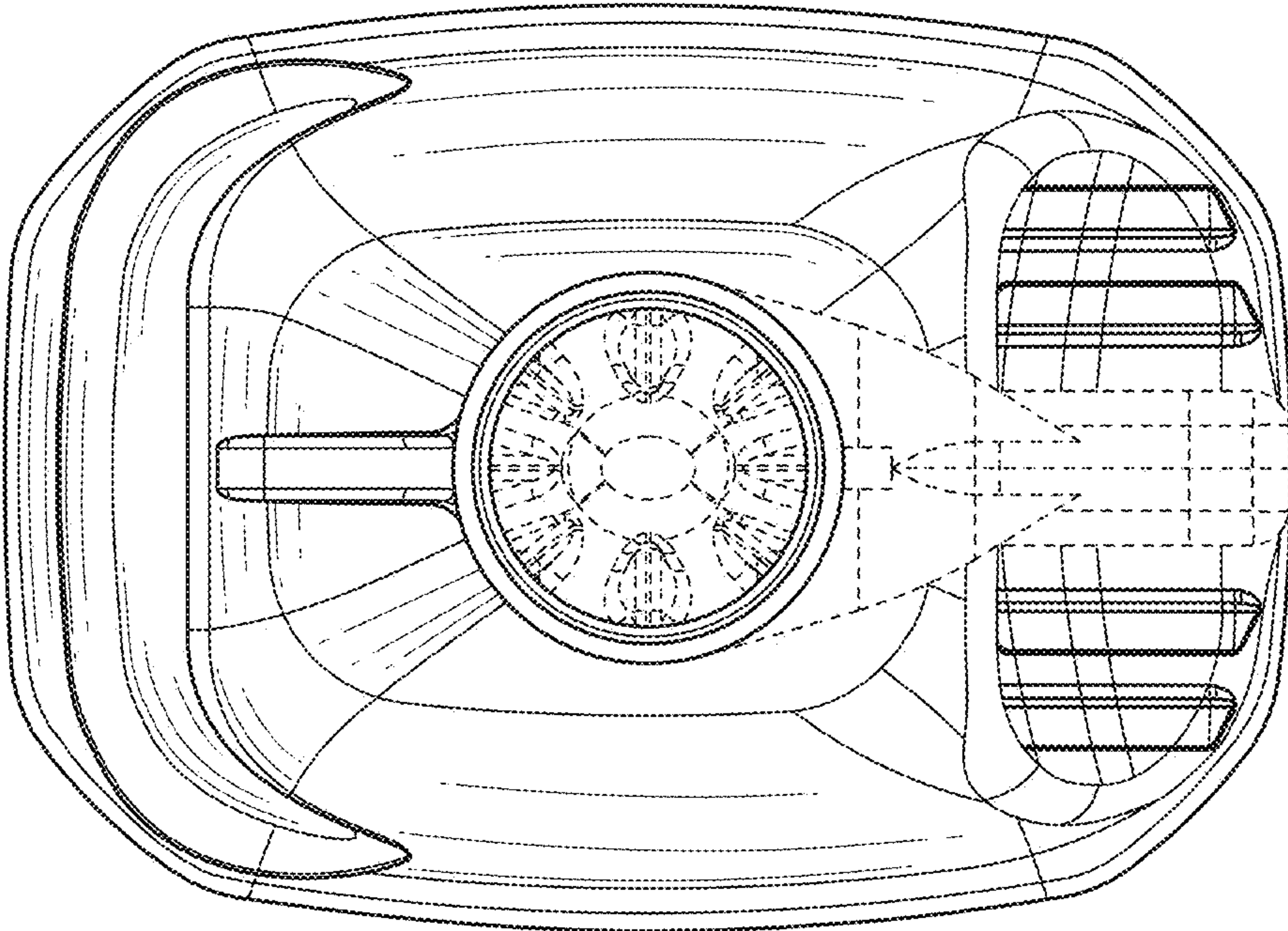


FIG. 6