



US00D902721S

(12) **United States Design Patent**
Randazzo et al.

(10) **Patent No.:** **US D902,721 S**

(45) **Date of Patent:** **** Nov. 24, 2020**

- (54) **BOTTLE**
- (71) Applicant: **DESIGN 24 Societa Benefit S.r.l.**,
Villanova di Castenaso (IT)
- (72) Inventors: **Giovanni Randazzo**, Villanova di
Castenaso (IT); **Matteo Melotti**,
Villanova di Castenaso (IT)
- (73) Assignee: **Design 24 Societa Benefit S.r.l.**,
Villanova di Castenaso (IT)
- (**) Term: **15 Years**
- (21) Appl. No.: **29/702,311**
- (22) Filed: **Aug. 19, 2019**
- (30) **Foreign Application Priority Data**

Feb. 19, 2019 (EM) 006260238-0001

- (51) **LOC (12) Cl.** **09-01**
- (52) **U.S. Cl.**
USPC **D9/503; D9/454**
- (58) **Field of Classification Search**
USPC D9/434-435, 454, 500, 502-505, 516,
D9/549, 558, 715, 719; D7/509-511, 608
CPC B65D 1/00; B65D 1/02; B65D 1/0223;
B65D 23/00; B65D 81/00; B65D
2501/00; B65D 2501/0009
See application file for complete search history.

(56) **References Cited**

U.S. PATENT DOCUMENTS

- D149,911 S * 6/1948 Sellon D9/502
- D277,360 S * 1/1985 Kaneko D9/502

- D327,005 S * 6/1992 Beeman D9/500
- 6,516,963 B2 * 2/2003 Mihashi A61J 9/00
215/373
- D551,557 S * 9/2007 Osgerby D9/551
- D555,496 S * 11/2007 Osgerby D9/551
- D654,794 S * 2/2012 Morais D9/500
- D685,637 S * 7/2013 Colon D9/500
- D809,392 S * 2/2018 Schmidt D9/503
- D817,659 S * 5/2018 Stelmarski D6/542
- D845,074 S * 4/2019 Gluck D7/510
- D871,840 S * 1/2020 Meyers D7/510
- D871,855 S * 1/2020 Fleischhut D7/608
- D871,909 S * 1/2020 Lauret D9/500
- D871,910 S * 1/2020 Lauret D9/500
- D871,914 S * 1/2020 Harte D9/607
- D887,845 S * 6/2020 LaPierre D9/503

* cited by examiner

Primary Examiner — Dana Meyrow

(74) *Attorney, Agent, or Firm* — FisherBroyles, LLP

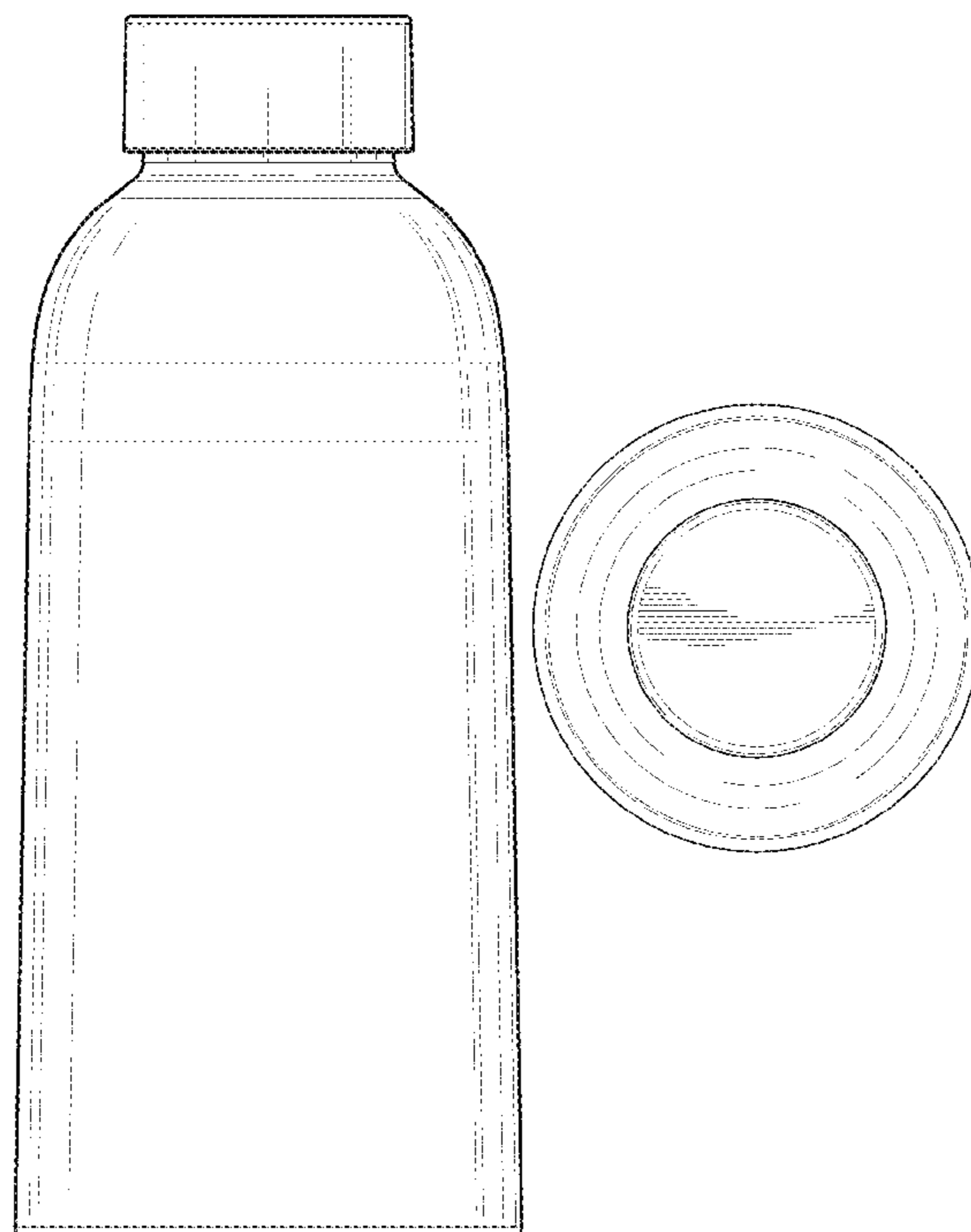
(57) **CLAIM**

The ornamental design for a bottle, as shown and described.

DESCRIPTION

FIG. 1 is a side view of a bottle embodying the design, all sides being identical;
 FIG. 2 is a top view thereof;
 FIG. 3 is a bottom view thereof;
 FIG. 4 is a bottom and side perspective view thereof; and,
 FIG. 5 is a top and side perspective view thereof.

1 Claim, 4 Drawing Sheets



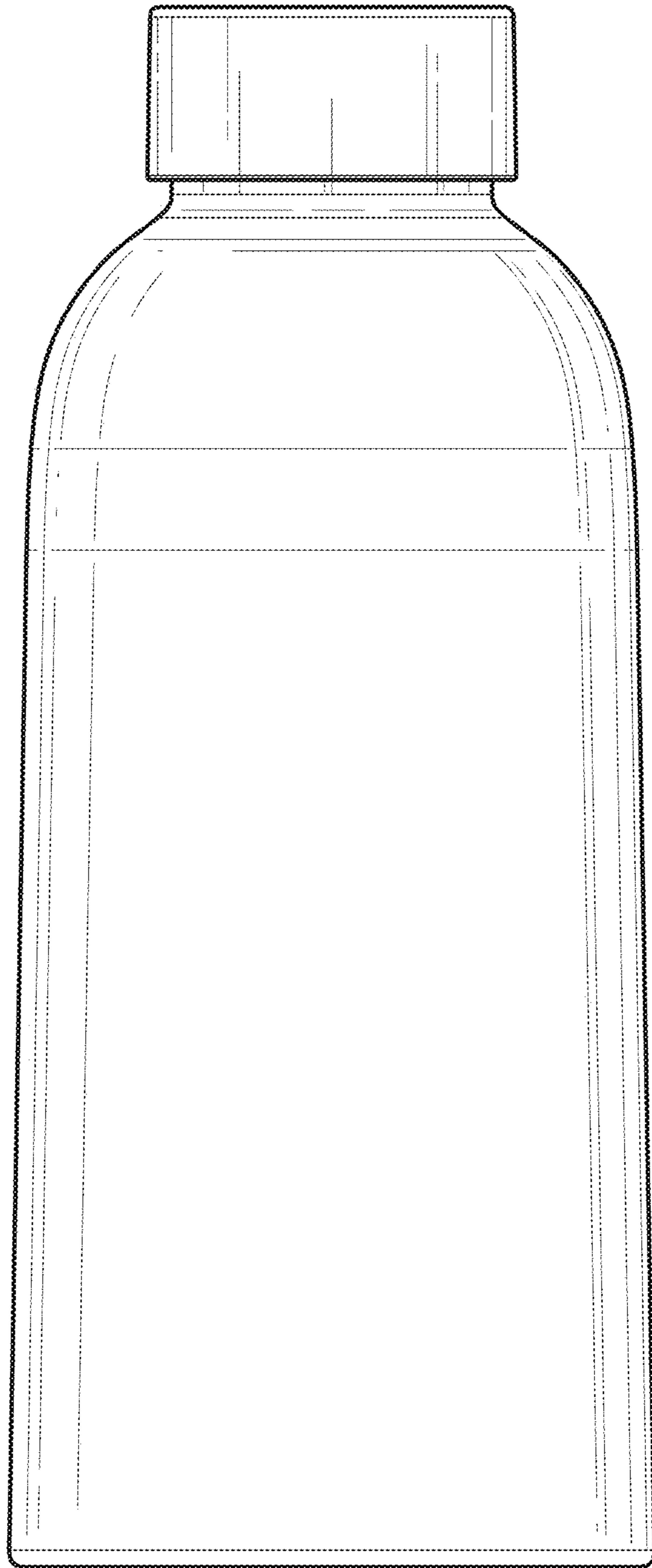


FIG. 1

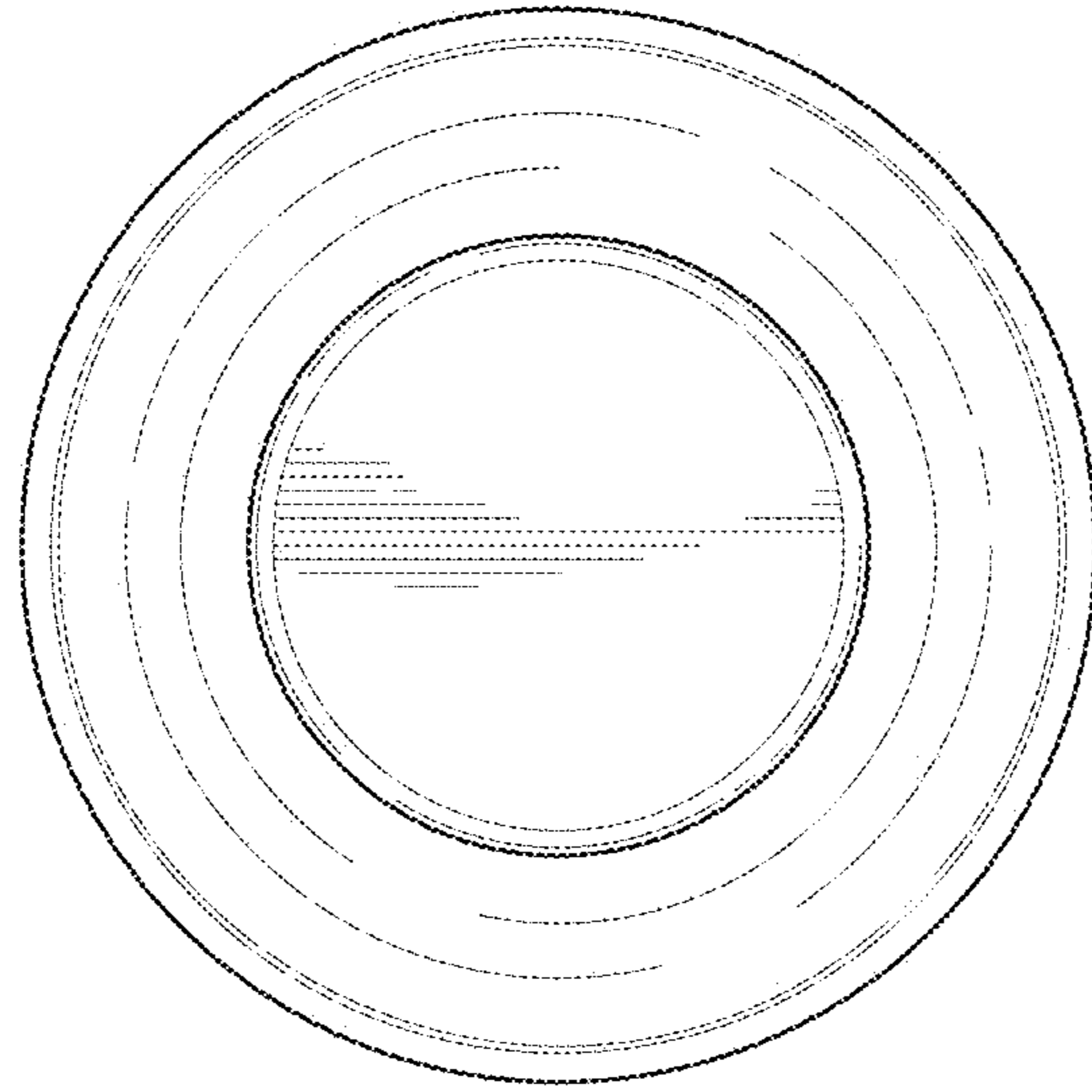


FIG. 2

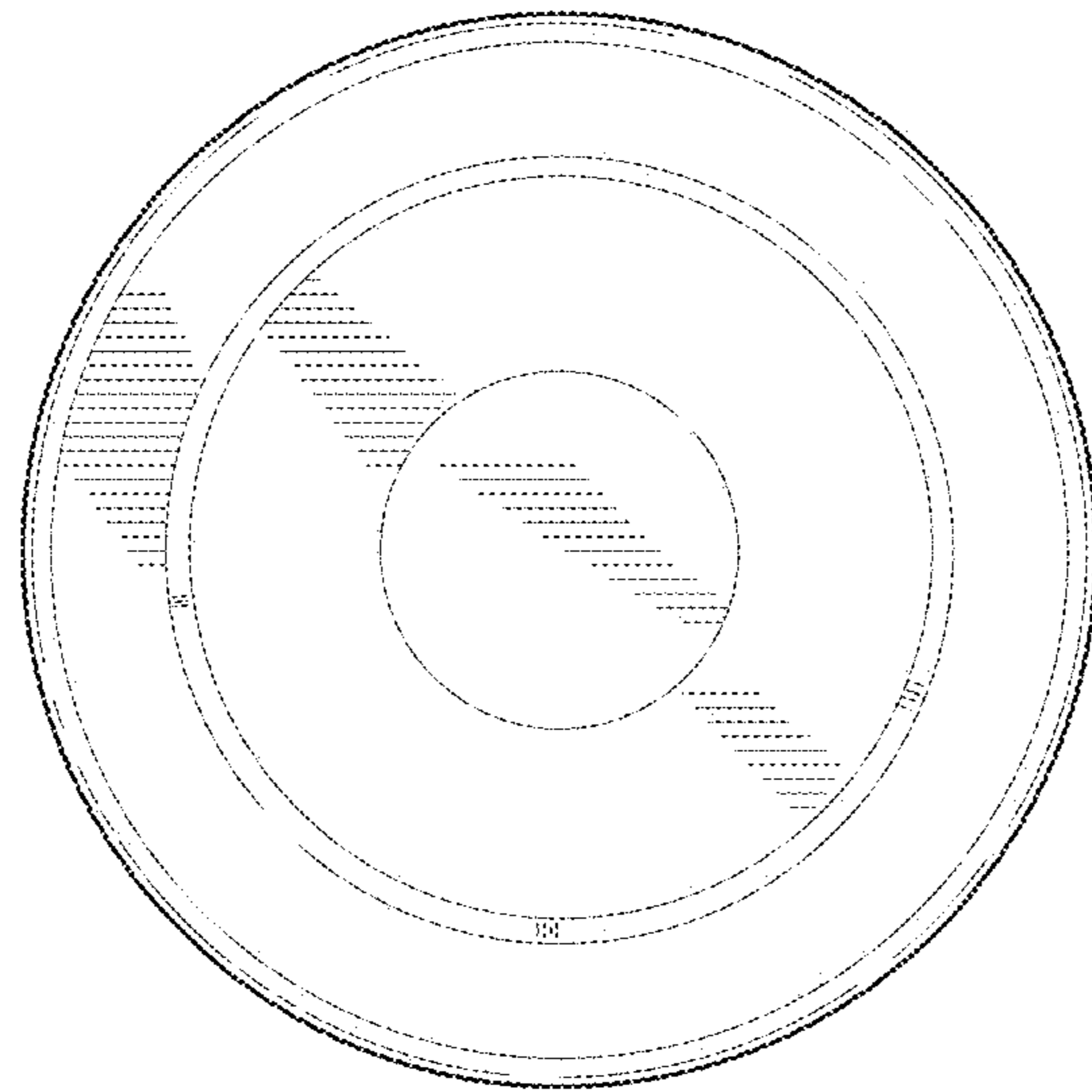


FIG. 3

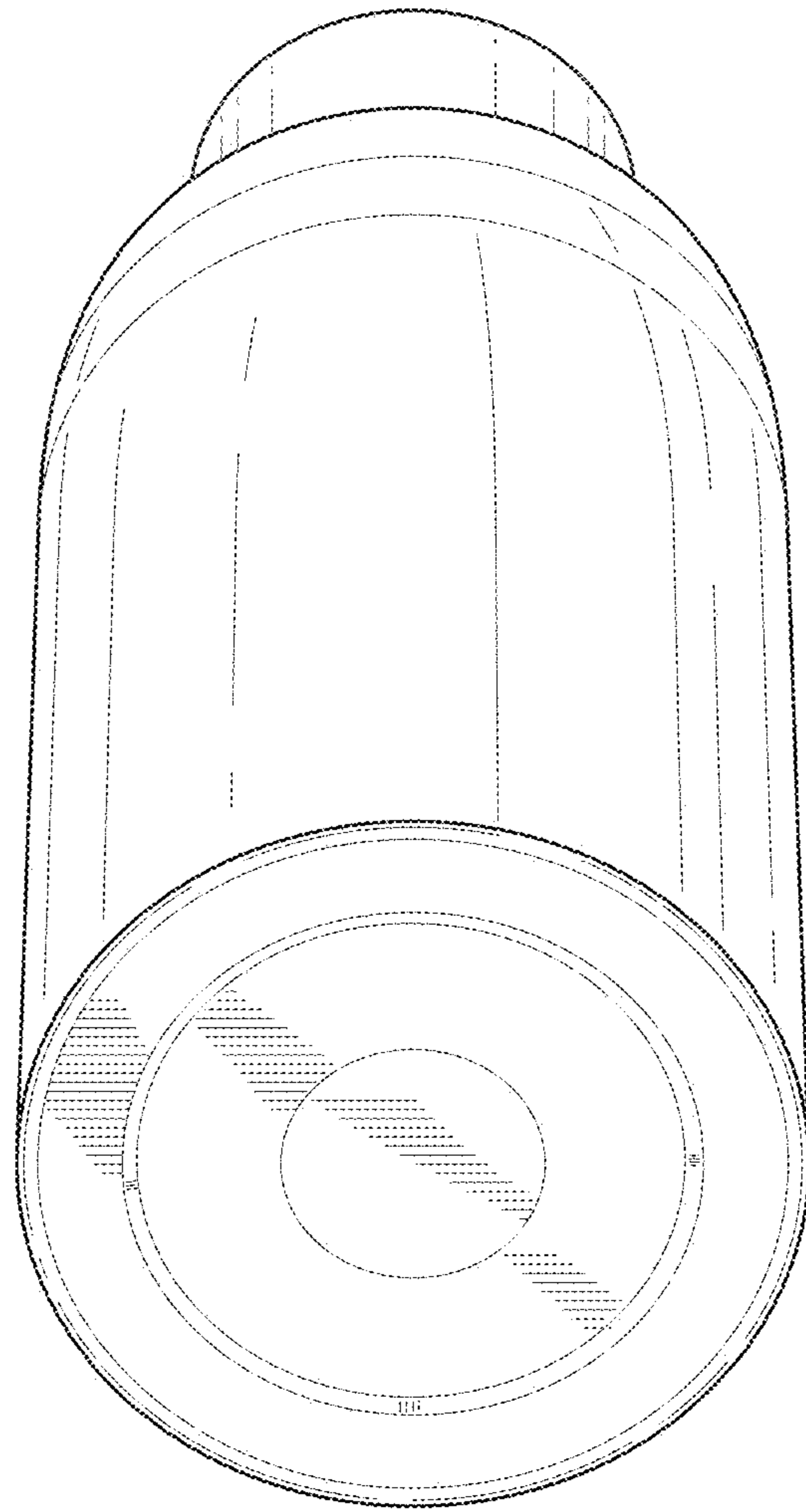


FIG. 4

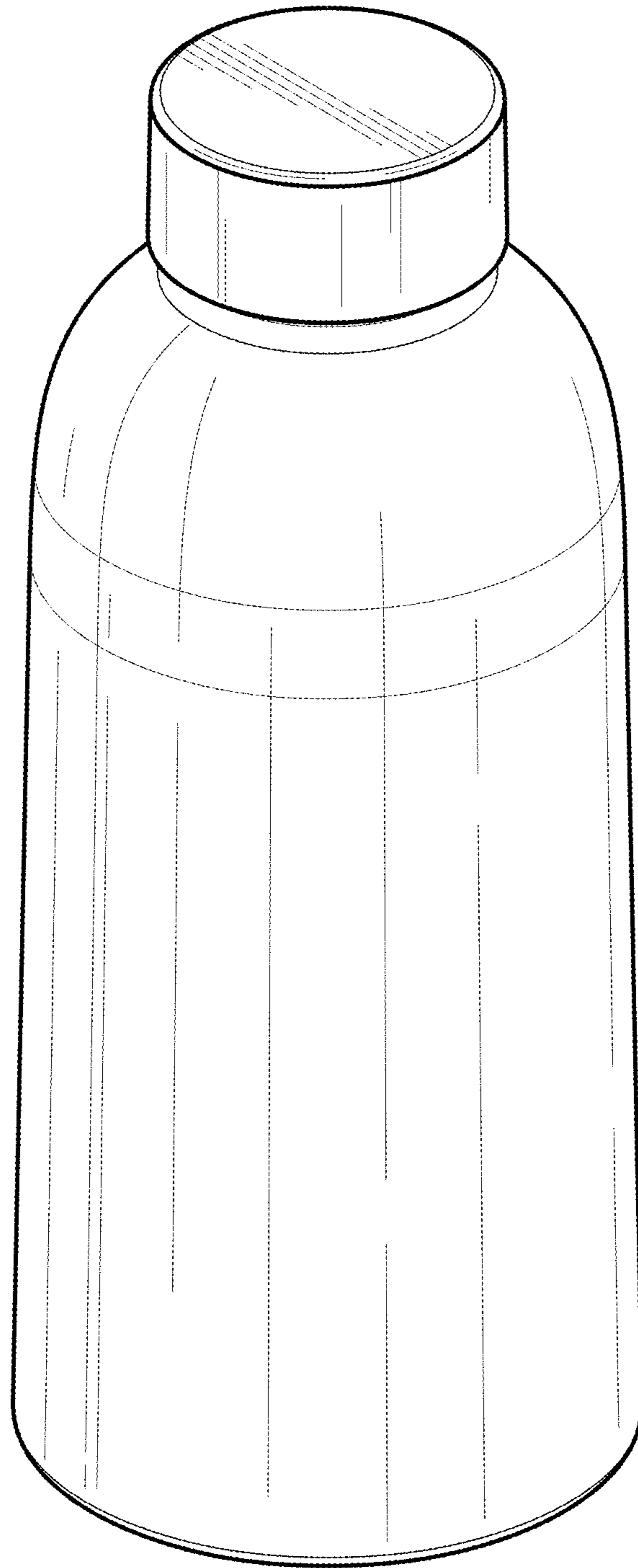


FIG. 5