



US00D902717S

(12) **United States Design Patent** (10) **Patent No.:** **US D902,717 S**  
**Jiménez Gálvez** (45) **Date of Patent:** **\*\* Nov. 24, 2020**

- (54) **CAP FOR A BOTTLE**
- (71) Applicant: **COMPAÑÍA DE TAPONES IRRELLENABLES, S.A.**, Jerez de la Frontera-Cádiz (ES)
- (72) Inventor: **Eduardo Jiménez Gálvez**, Jerez de la Frontera-Cádiz (ES)
- (73) Assignee: **COMPAÑÍA DE TAPONES IRRELLENABLES, S.A.**, Jerez de la Frontera-Cadiz (ES)
- (\*\*) Term: **15 Years**
- (21) Appl. No.: **29/667,869**
- (22) Filed: **Oct. 25, 2018**
- (51) **LOC (12) Cl.** ..... **09-07**
- (52) **U.S. Cl.**  
USPC ..... **D9/453; D9/454**
- (58) **Field of Classification Search**  
USPC ..... D7/387, 392.1, 396.2; D9/434-436, 440, D9/443-445, 447, 449, 450, 499, D9/452-454  
CPC .... B65D 47/36; B65D 47/043; B65D 47/106; B65D 41/3438  
See application file for complete search history.

D831,425 S *	10/2018	Best	.....	D7/510
D836,442 S *	12/2018	Wood	.....	D9/453
D838,171 S *	1/2019	Wood	.....	D9/453
D842,030 S *	3/2019	Meyers	.....	D7/396.2
D845,766 S *	4/2019	Tartock	.....	D9/454
D867,062 S *	11/2019	Meyers	.....	D7/396.2

**FOREIGN PATENT DOCUMENTS**

EM	001661273-0008	1/2010
EP	2088091	5/2013
ES	2220191	4/2005

**OTHER PUBLICATIONS**

Facebook. Tapoplastic cover photo. Nov. 20, 2019. <https://www.facebook.com/TapoplasticContacto/> (Year: 2019).\*

Oh Gizmo! OhGizmo! Review—S’well Insulated Stainless Steel Bottles by Andrew Liszewski. Apr. 28, 2011. <https://www.ohgizmo.com/ohgizmo-review-s%E2%80%99well-insulated-stainless-steel-bottles/> (Year: 2011).\*

\* cited by examiner

*Primary Examiner* — Darcey E Gottschalk  
(74) *Attorney, Agent, or Firm* — Thomas I Horstemeyer, LLP

(57) **CLAIM**

The ornamental design for a cap for a bottle, as shown and described.

**DESCRIPTION**

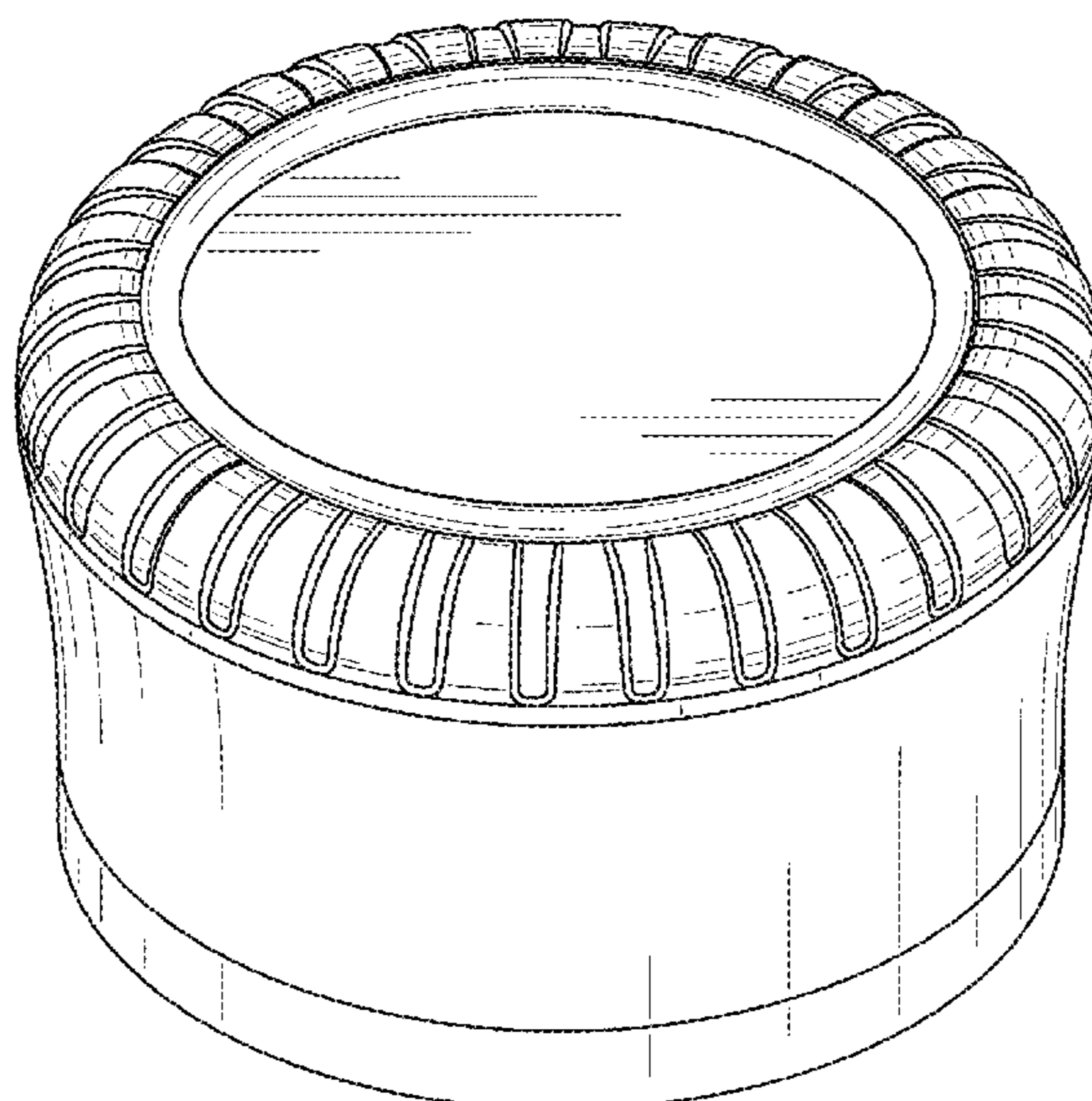
FIG. 1 is a perspective view of a cap for a bottle, showing my new design;  
FIG. 2 is a top view thereof;  
FIG. 3 is a front view thereof;  
FIG. 4 is a back view thereof, opposite that of FIG. 3;  
FIG. 5 is a side view thereof; and,  
FIG. 6 is a side view thereof, from a side opposite that of FIG. 5.

**1 Claim, 6 Drawing Sheets**

(56) **References Cited**

**U.S. PATENT DOCUMENTS**

D573,022 S *	7/2008	Berman	.....	D9/453
D592,954 S *	5/2009	Capretta	.....	D9/453
D673,852 S *	1/2013	Wood	.....	D9/453
D693,221 S *	11/2013	Ramsey	.....	D9/453
D693,685 S *	11/2013	Ramsey	.....	D9/453
D695,613 S *	12/2013	Miranda De Araujo	.....	D9/449
D790,966 S *	7/2017	Roberts	.....	D9/453
D799,963 S *	10/2017	Akiyama	.....	D9/454
D813,681 S *	3/2018	Burns	.....	D9/549
D817,085 S *	5/2018	Davis	.....	D7/392.1
D824,257 S *	7/2018	Wood	.....	D9/453



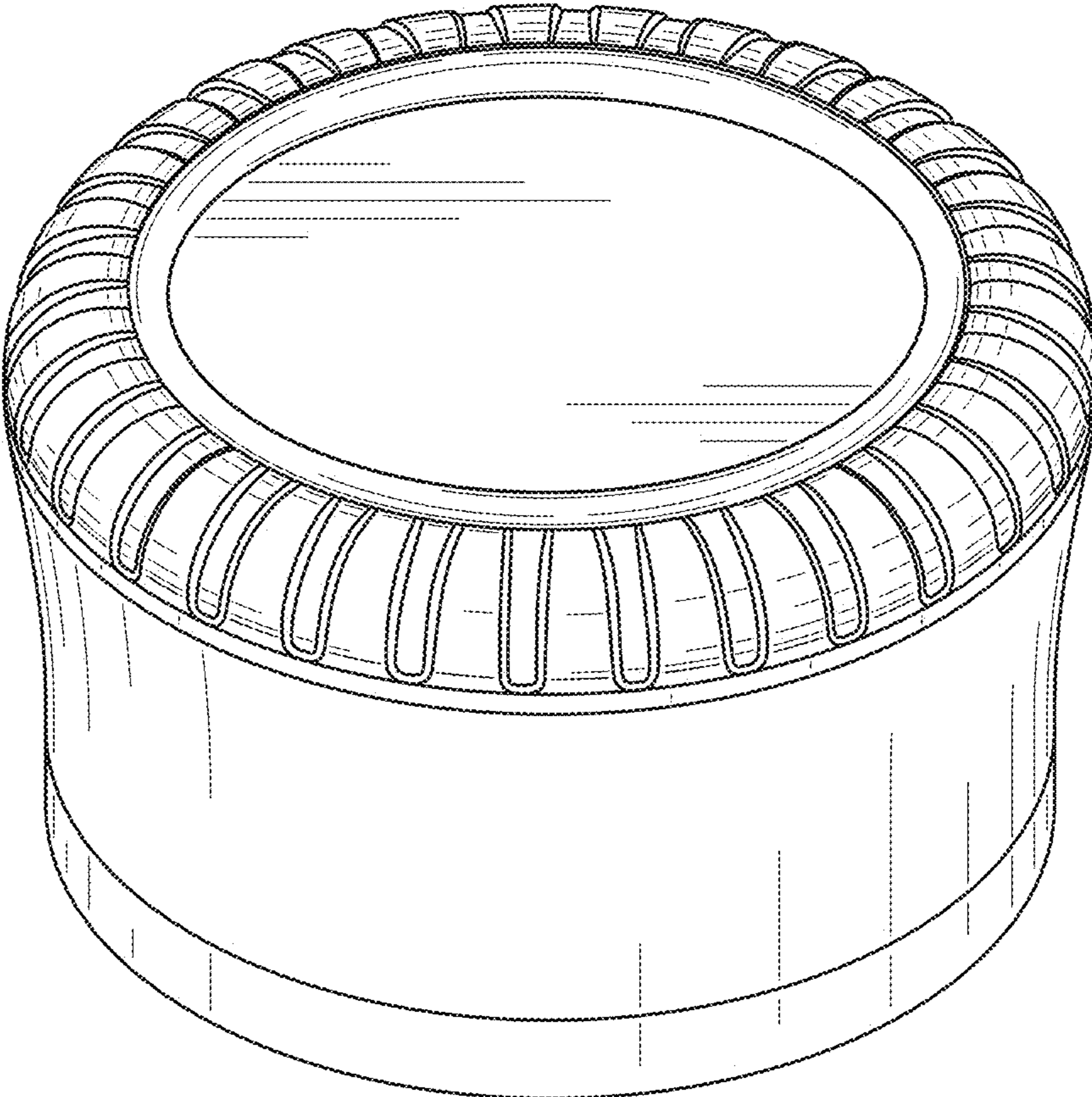


FIG. 1

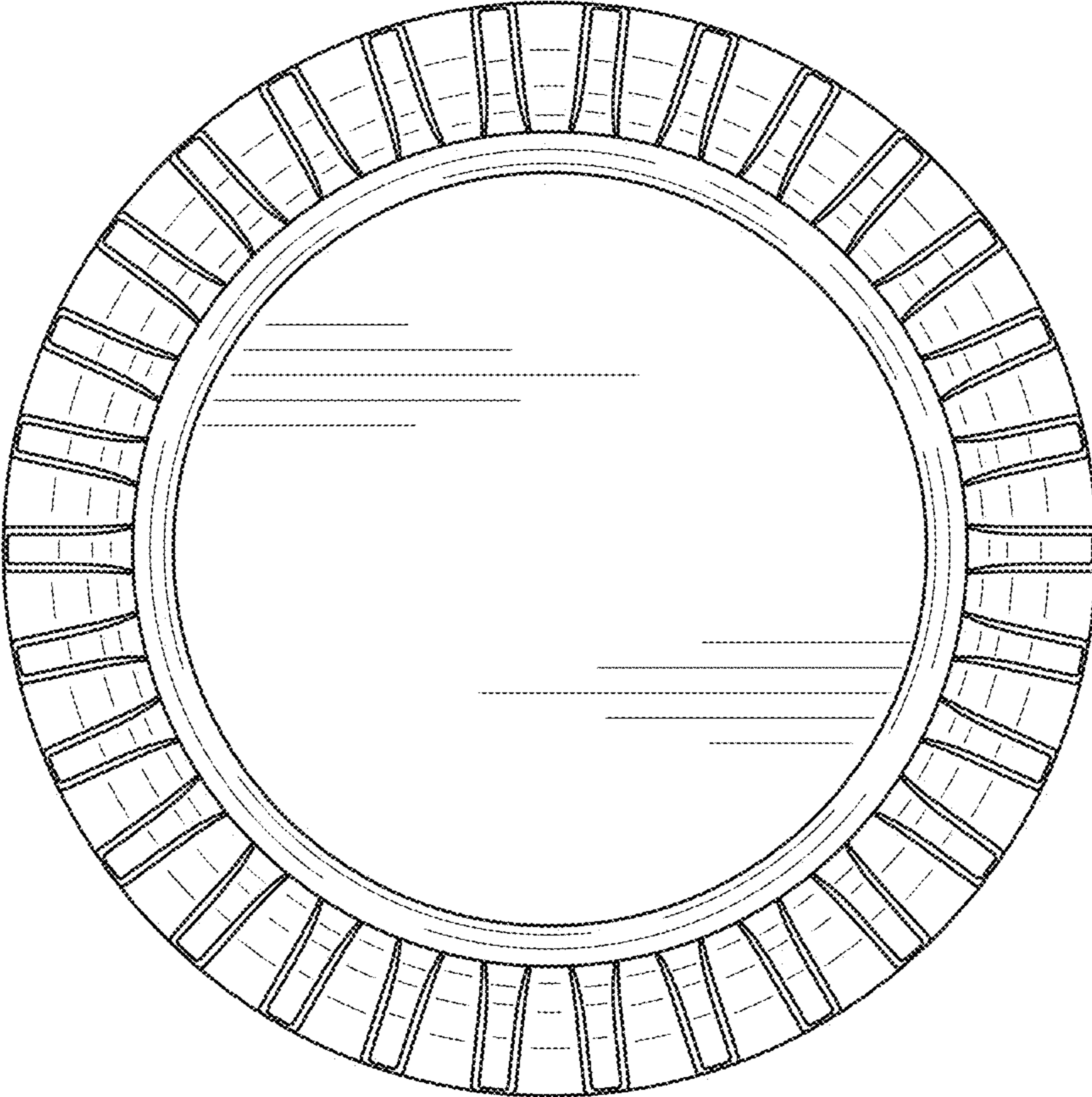


FIG. 2

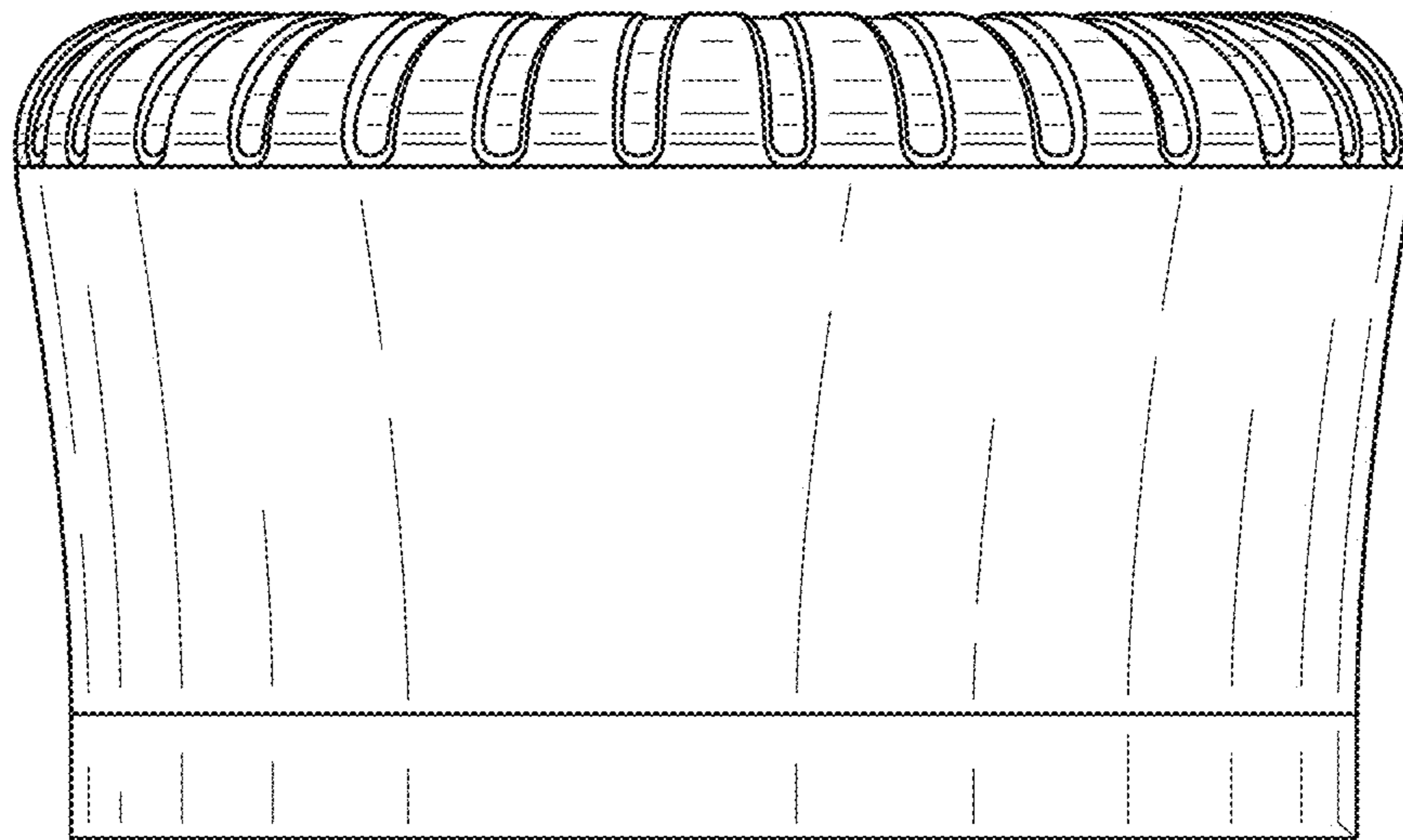


FIG. 3

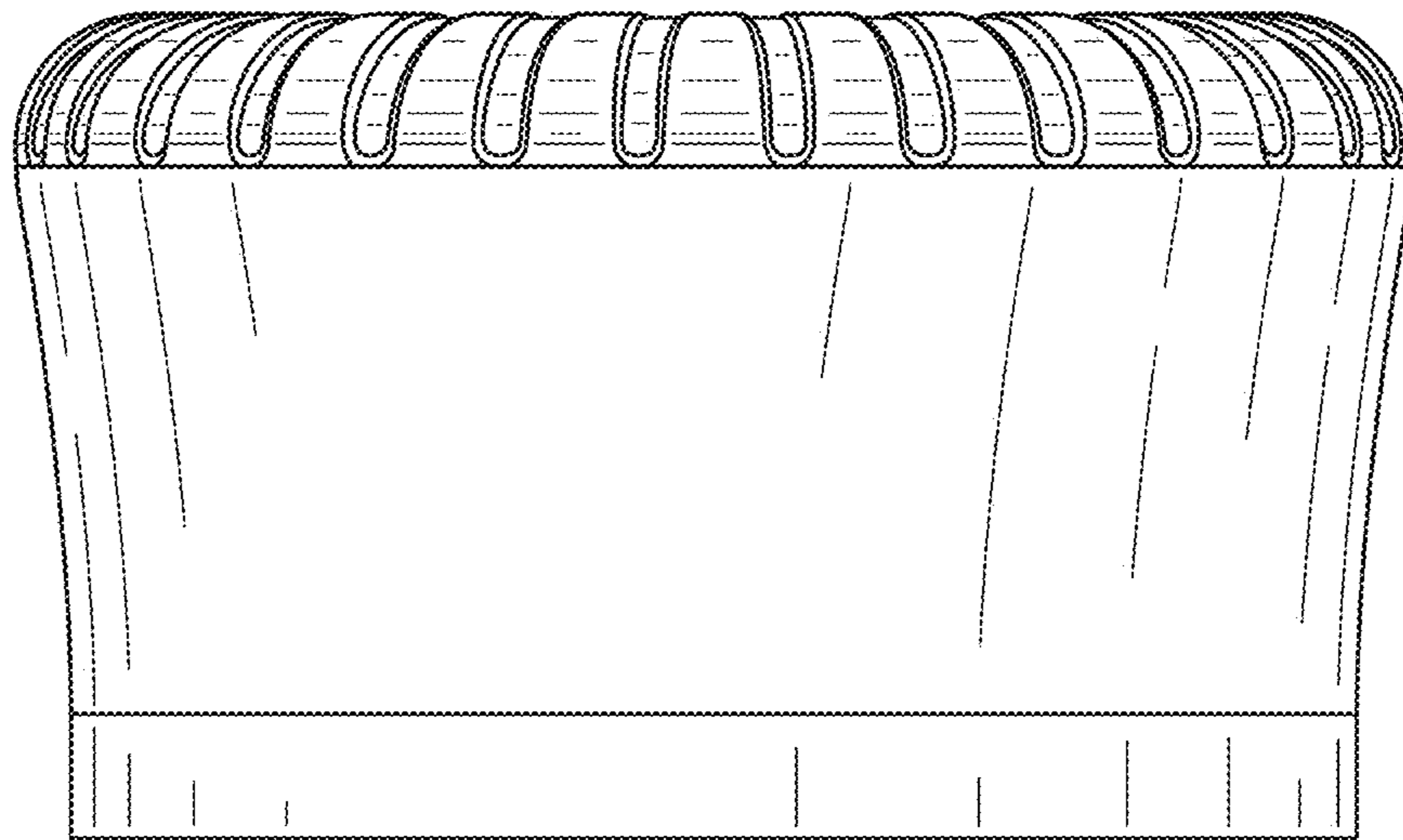


FIG. 4

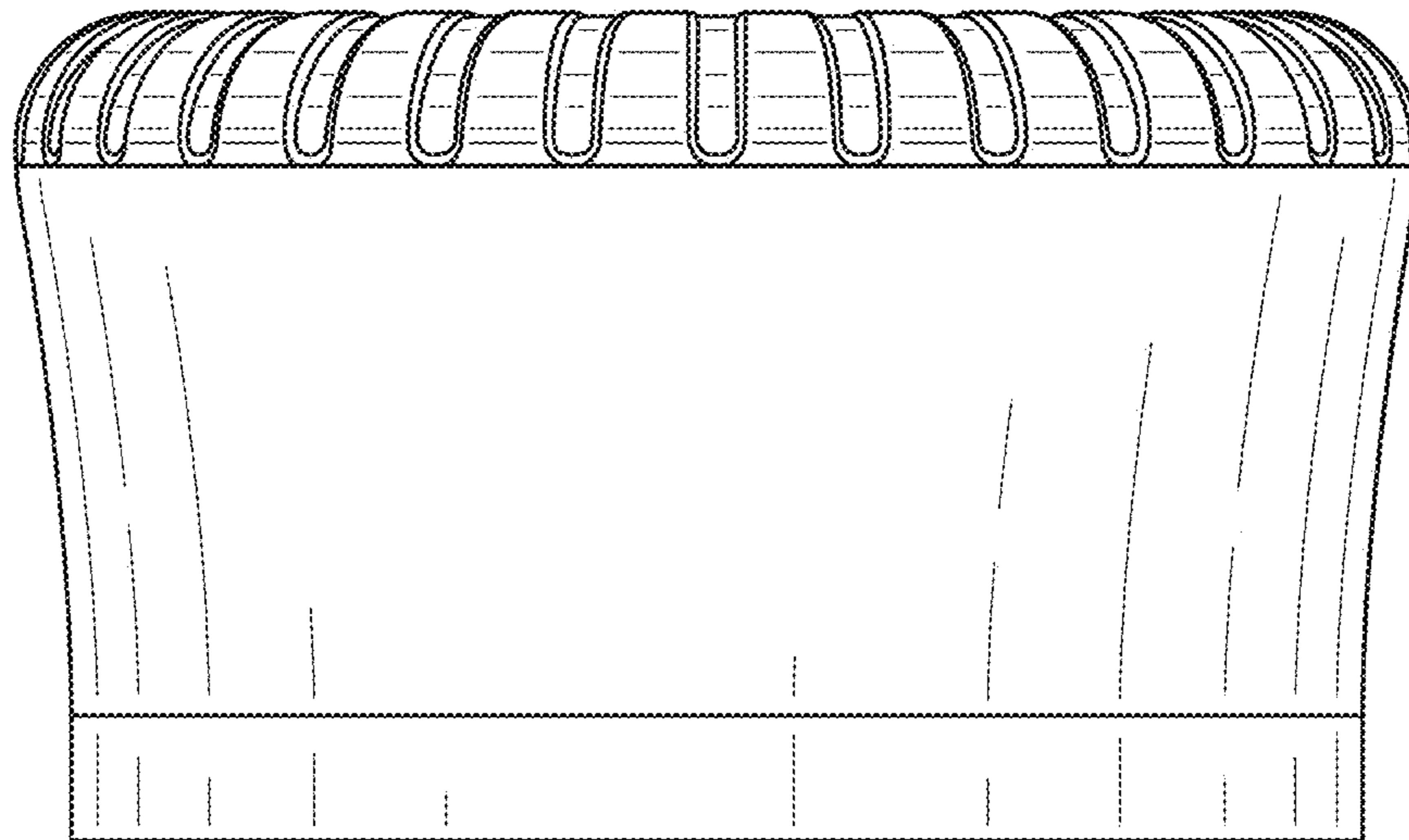


FIG. 5

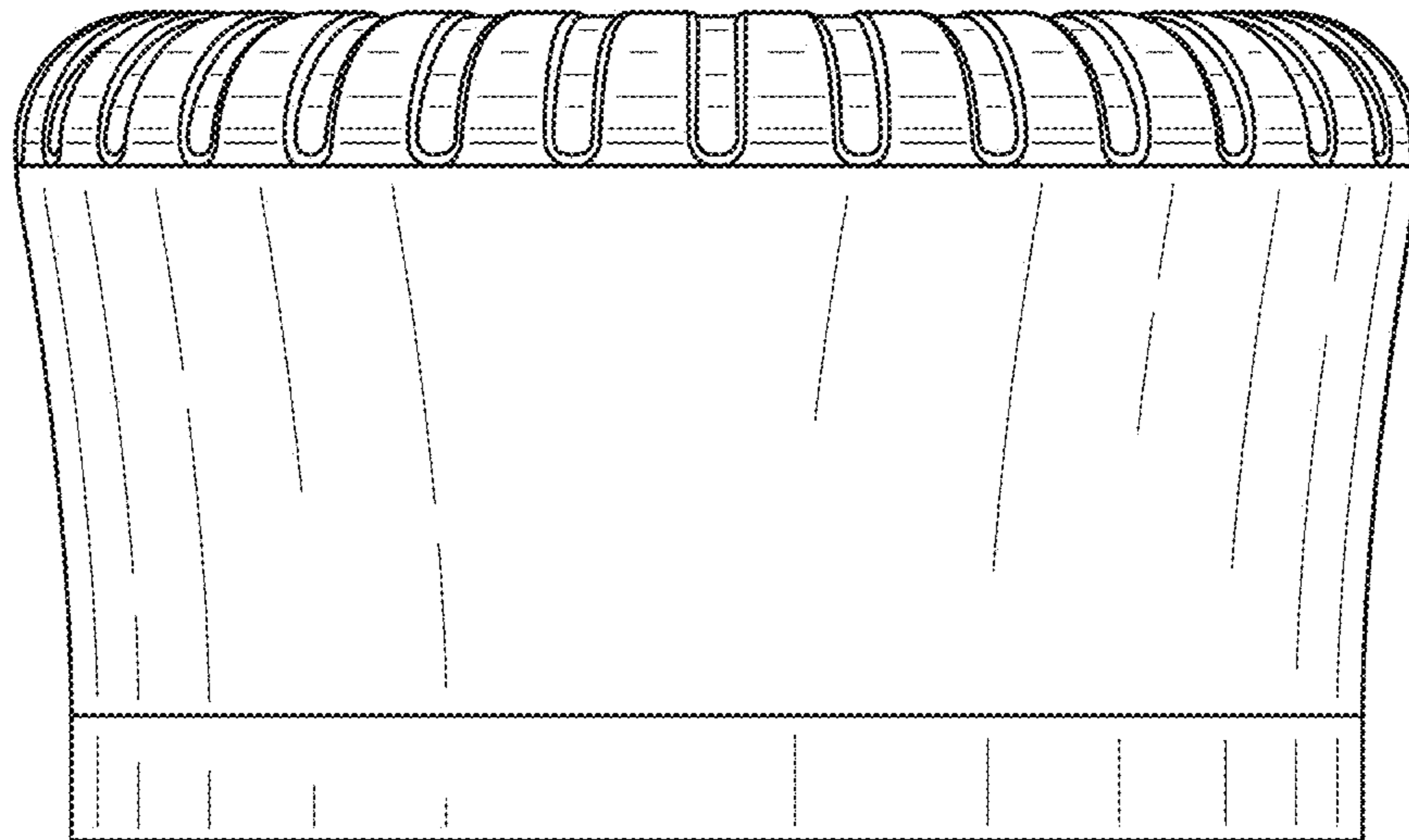


FIG. 6