



US00D902716S

(12) **United States Design Patent**  
**Levy et al.**

(10) **Patent No.:** **US D902,716 S**

(45) **Date of Patent:** **\*\* Nov. 24, 2020**

(54) **TRAVEL BOTTLE CAP HAVING A  
TWISTING LOCKING RING BODY**

(71) Applicant: **Navajo Manufacturing Company,  
Inc., Denver, CO (US)**

(72) Inventors: **Gordon Levy, Golden, CO (US);  
Shawn A. Shelton, Highlands Ranch,  
CO (US)**

(73) Assignee: **Navajo Manufacturing Company,  
Inc., Denver, CO (US)**

(\*\*) Term: **15 Years**

(21) Appl. No.: **29/691,491**

(22) Filed: **May 16, 2019**

(51) **LOC (12) Cl.** ..... **09-07**

(52) **U.S. Cl.**  
USPC ..... **D9/449**

(58) **Field of Classification Search**  
USPC ..... D9/434, 435, 438-441, 443-454, 499,  
D9/503-505, 682, 685, 686; D7/300.1,  
D7/387, 391, 392, 392.1, 393, 394, 396.1,  
D7/396.2, 506, 507, 510, 511, 533, 534,  
D7/900; D3/202, 203.2, 294, 318;  
D28/91, 91.1  
CPC .. A61J 1/00; A61J 1/1412; B65D 1/00; B65D  
1/02; B65D 1/10; B65D 1/46; B65D  
5/46; B65D 41/00; B65D 41/38; B65D  
41/56; B65D 41/62; B65D 47/00; B65D  
47/06; B65D 47/08; B65D 2251/00;  
B65D 2543/00046; B65D 2543/00092;  
B65D 2543/00296

See application file for complete search history.

(56) **References Cited**

**U.S. PATENT DOCUMENTS**

3,094,255 A 6/1963 Hunter  
3,358,890 A 12/1967 Dalfo

3,460,719 A 8/1969 O'Donnell et al.  
3,484,023 A 12/1969 Meshberg  
3,655,099 A 4/1972 Hazard  
3,702,165 A 11/1972 Carrow et al.  
3,784,060 A 1/1974 Hazard  
3,847,313 A 11/1974 Micallef  
3,848,778 A 11/1974 Meshberg

(Continued)

*Primary Examiner* — Wendy L Arminio

(74) *Attorney, Agent, or Firm* — Studebaker & Brackett  
PC

(57) **CLAIM**

The ornamental design for a travel bottle cap having a  
twisting locking ring body, as shown and described.

**DESCRIPTION**

FIG. 1 is a top perspective view of a travel bottle cap having  
a twisting locking ring body showing our new design in a  
position of use attached to an unclaimed bottle drawn in  
broken lines,

FIG. 2 is a bottom perspective view of the travel bottle cap  
having a twisting locking ring body of FIG. 1 shown  
removed from the unclaimed bottle,

FIG. 3 is a top view thereof,

FIG. 4 is a bottom view thereof,

FIG. 5 is a front view thereof,

FIG. 6 is a rear view thereof,

FIG. 7 is a left side view thereof,

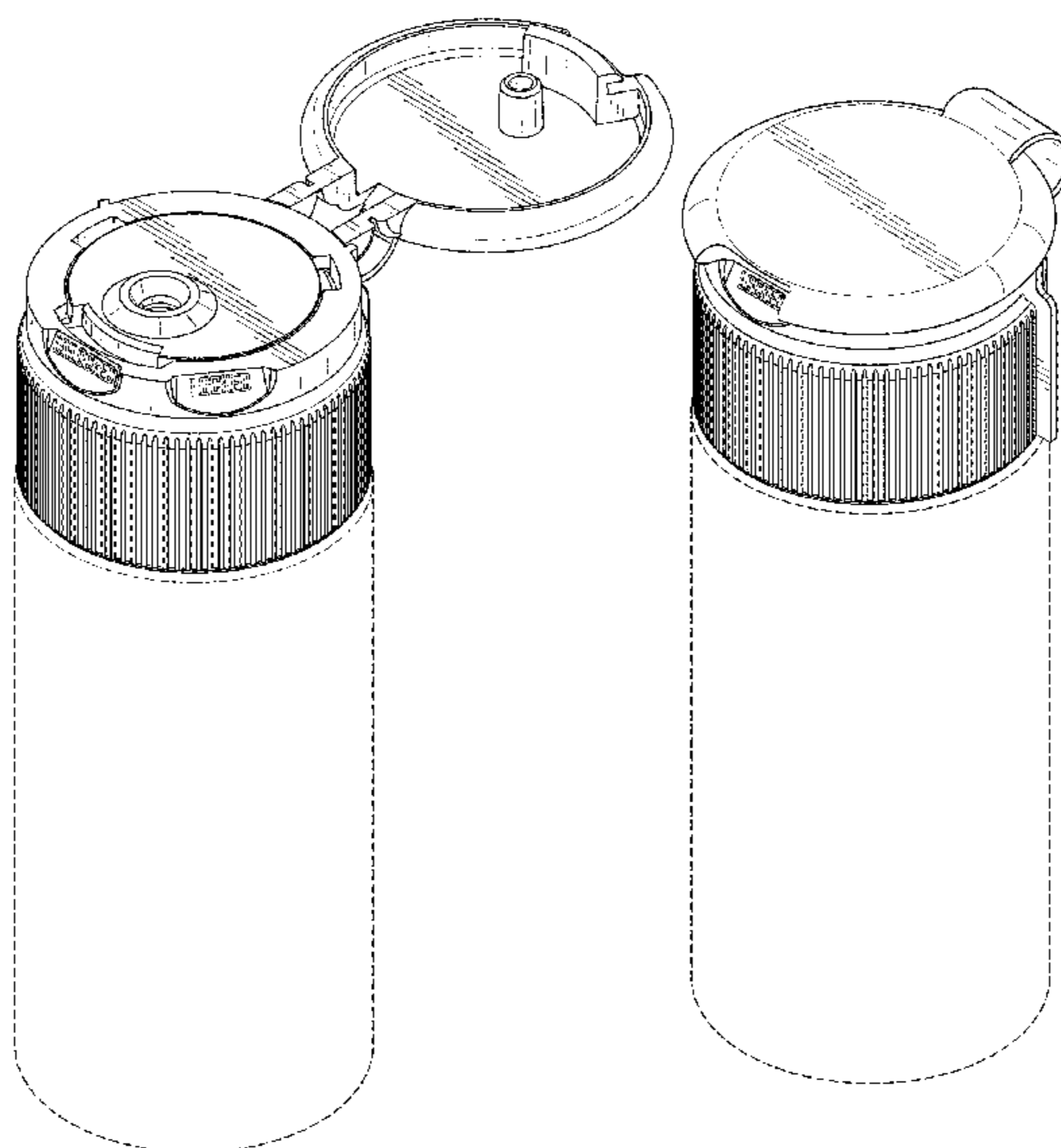
FIG. 8 is a right side view thereof,

FIG. 9 is a top perspective view of the travel bottle cap  
having a twisting locking ring body of FIG. 1 shown in a  
closed position and locked configuration; and,

FIG. 10 is a top perspective view thereof in an alternate  
unlocked configuration.

The broken lines illustrating a bottle depict environment and  
form no part of the claimed design. All other broken lines  
depict portions of the travel bottle cap having a twisting  
locking ring body that form no part of the claimed design.

**1 Claim, 6 Drawing Sheets**



(56)

References Cited

U.S. PATENT DOCUMENTS

3,873,005 A 3/1975 Hazard  
 3,874,568 A 4/1975 La Vange et al.  
 4,047,643 A 9/1977 Hazard  
 4,081,113 A 3/1978 Hazard  
 4,299,339 A 11/1981 Giroux et al.  
 D265,060 S \* 6/1982 Blank ..... D9/446  
 4,487,342 A \* 12/1984 Shy ..... B65D 47/2006  
 222/481.5  
 4,500,016 A 2/1985 Funfstuck  
 4,542,837 A 9/1985 Rayner  
 4,545,495 A \* 10/1985 Kinsley ..... B65D 47/0814  
 215/235  
 4,591,079 A 5/1986 Bigotte  
 4,625,898 A \* 12/1986 Hazard ..... B65D 47/0819  
 215/235  
 4,645,086 A 2/1987 Rosenthal  
 D292,882 S \* 11/1987 Gross ..... D9/435  
 4,776,501 A 10/1988 Ostrowsky  
 4,779,773 A 10/1988 Bennett  
 4,962,869 A 10/1990 Gross et al.  
 D320,746 S \* 10/1991 Bolen, Jr. .... D9/434  
 5,141,129 A 8/1992 Jennings  
 D334,538 S \* 4/1993 Bolen, Jr. .... D9/447  
 5,284,264 A 2/1994 Gross  
 5,314,093 A 5/1994 Gross et al.  
 5,395,015 A \* 3/1995 Bolen, Jr. .... B65D 47/0885  
 215/235  
 D362,186 S \* 9/1995 Thanisch ..... D9/446

D363,025 S \* 10/1995 Deflander ..... D9/449  
 5,622,284 A 4/1997 Sawicki  
 5,649,645 A 7/1997 Demarest et al.  
 5,967,384 A \* 10/1999 Mengeu ..... B65D 47/089  
 222/517  
 6,116,477 A \* 9/2000 Kreiseder ..... B65D 47/0857  
 222/546  
 6,896,160 B2 5/2005 Kaufman et al.  
 D508,402 S \* 8/2005 Hierzer ..... D9/449  
 D508,853 S \* 8/2005 Ziegenhorn ..... D9/449  
 6,971,547 B2 12/2005 Englert et al.  
 D519,029 S \* 4/2006 Hicks ..... D9/449  
 D585,740 S \* 2/2009 Wilson ..... D9/449  
 D585,742 S \* 2/2009 Wilson ..... D9/449  
 D598,752 S \* 8/2009 Wilson ..... D9/449  
 D661,984 S \* 6/2012 Jackel ..... D9/449  
 D672,650 S \* 12/2012 Wisniewski ..... D9/443  
 D688,554 S \* 8/2013 Fracasso ..... D9/447  
 D709,764 S \* 7/2014 Gibb ..... D9/449  
 D738,737 S \* 9/2015 McCay ..... D9/449  
 D759,484 S \* 6/2016 Pastre ..... D9/449  
 9,382,059 B2 7/2016 Selinger et al.  
 10,167,120 B1 1/2019 Levy et al.  
 D854,414 S \* 7/2019 Michailides ..... D9/449  
 D856,804 S \* 8/2019 Levy ..... D9/449  
 D867,138 S \* 11/2019 Levy ..... D9/449  
 D867,139 S \* 11/2019 Levy ..... D9/449  
 2003/0038146 A1 2/2003 Meshberg  
 2004/0112927 A1 6/2004 Kaufman et al.  
 2019/0256258 A1 \* 8/2019 Levy ..... B65D 47/286  
 2019/0256259 A1 \* 8/2019 Levy ..... B65D 47/265

\* cited by examiner

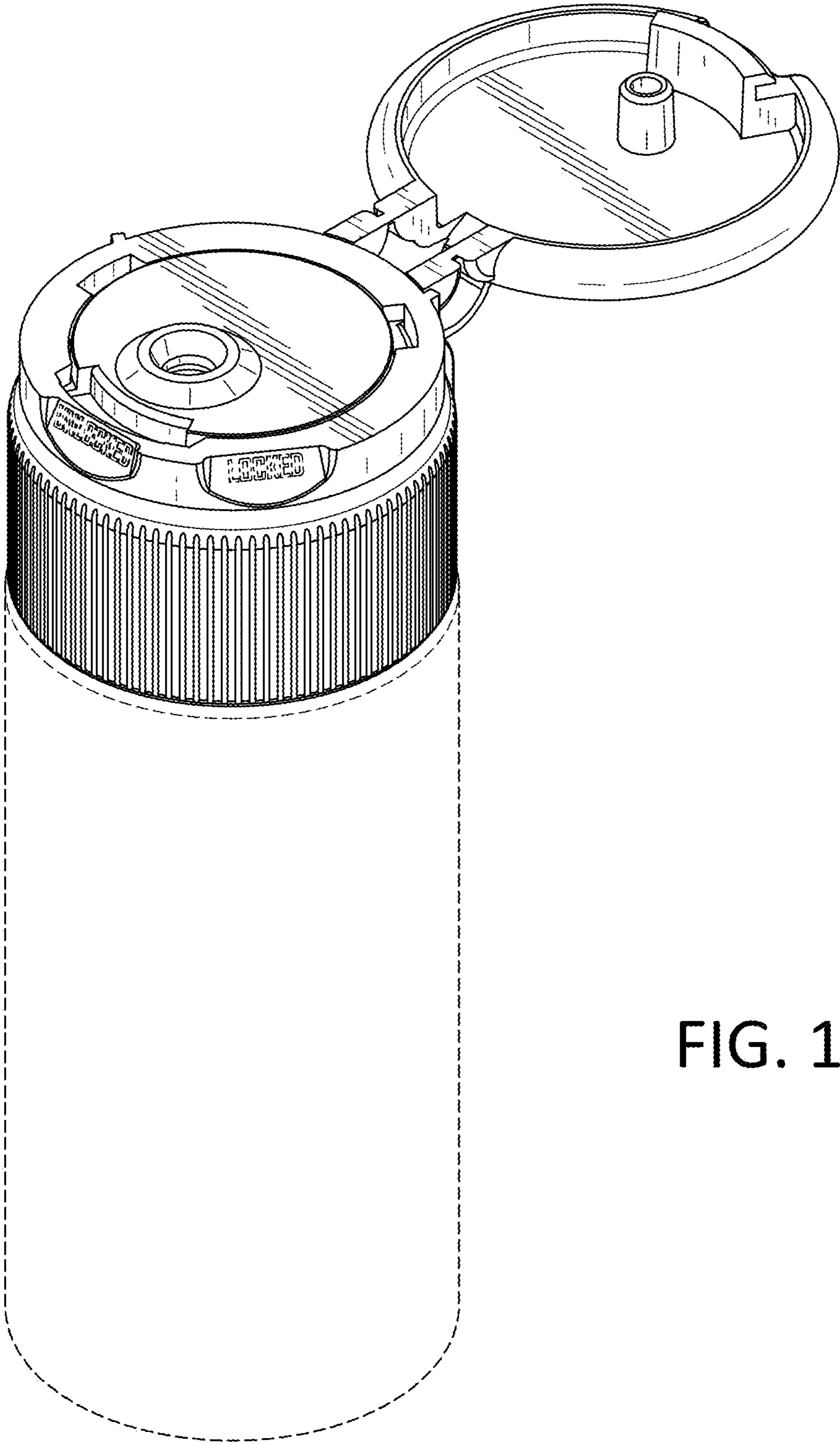


FIG. 1

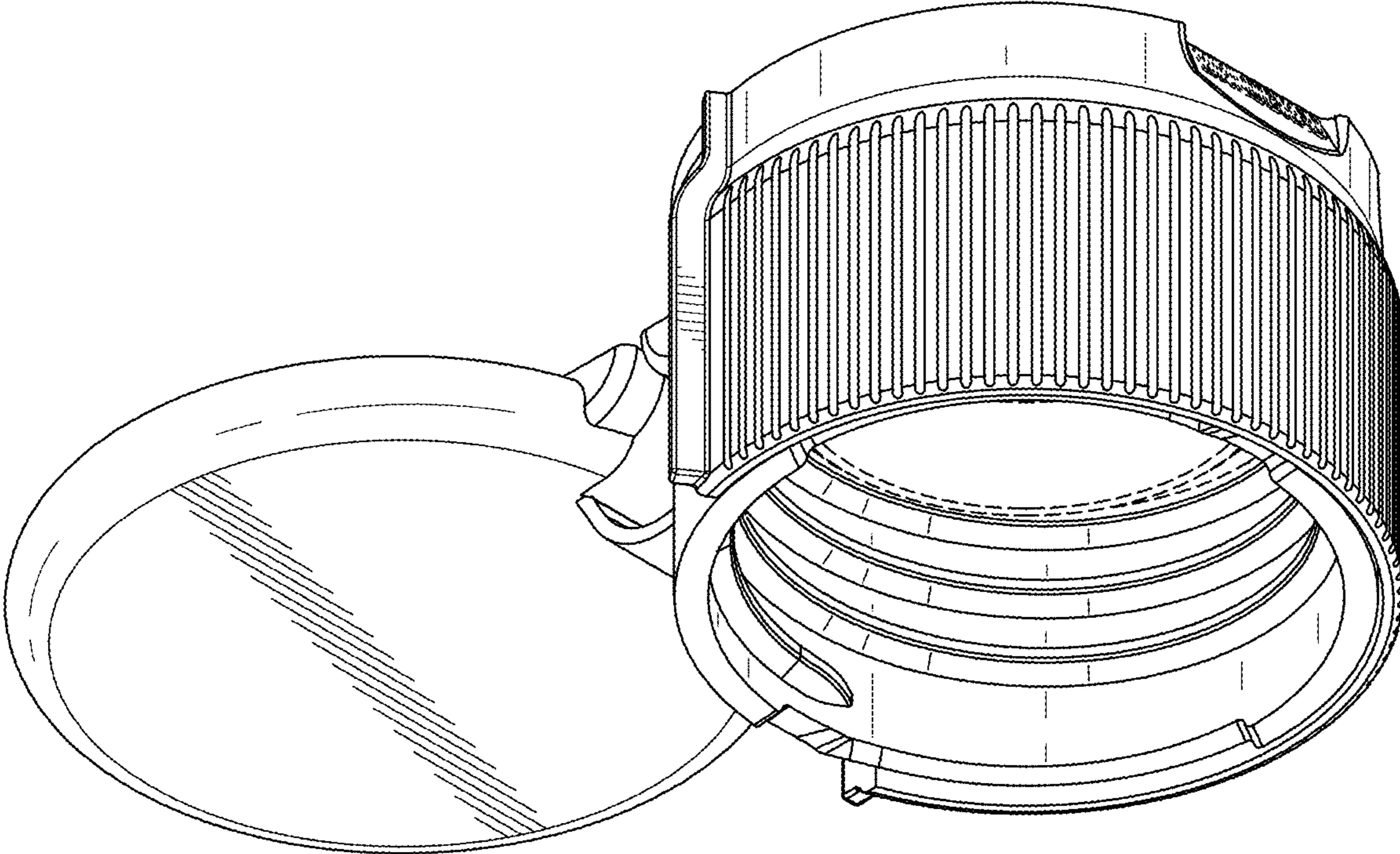


FIG. 2

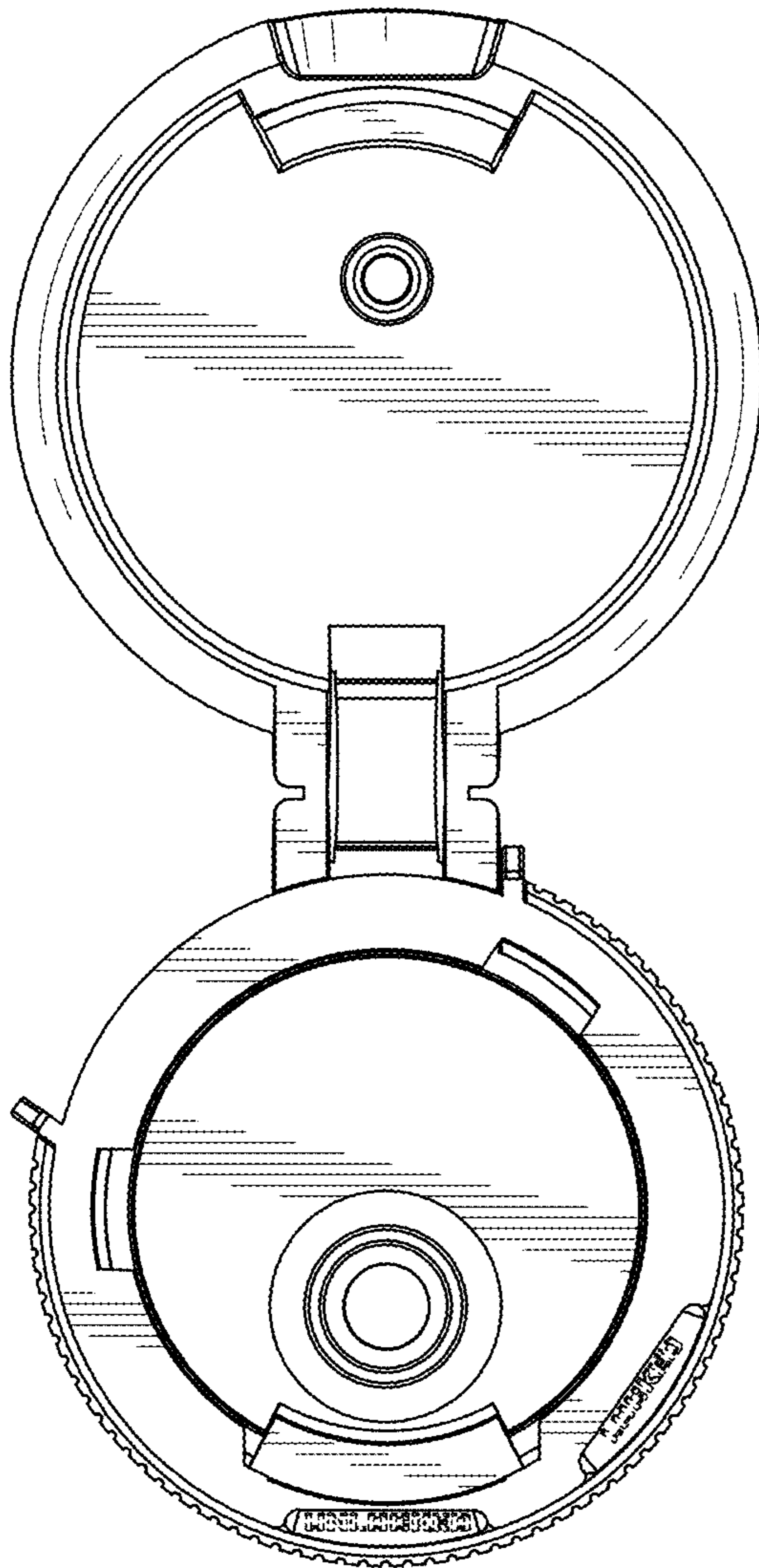


FIG. 3

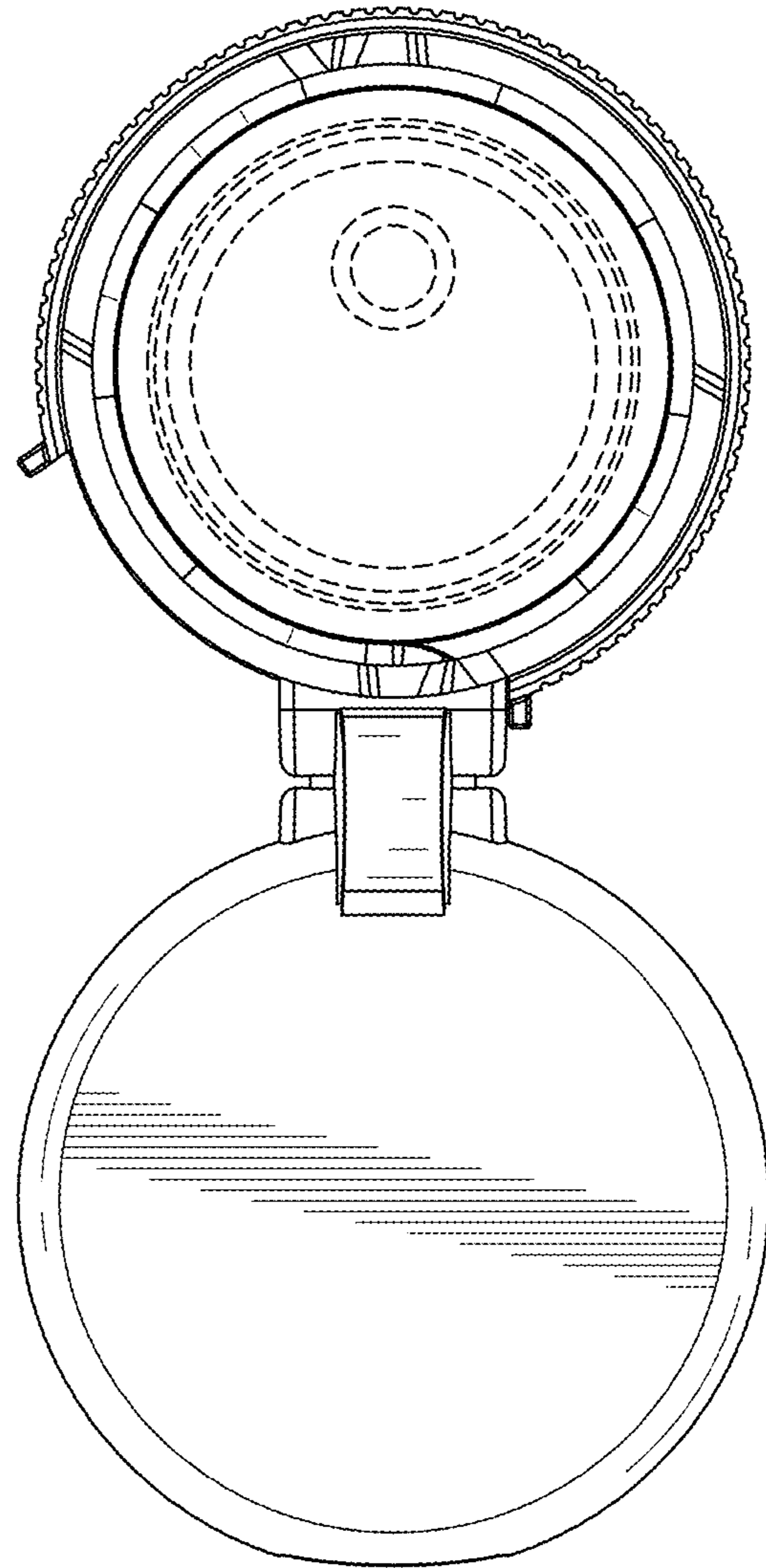


FIG. 4

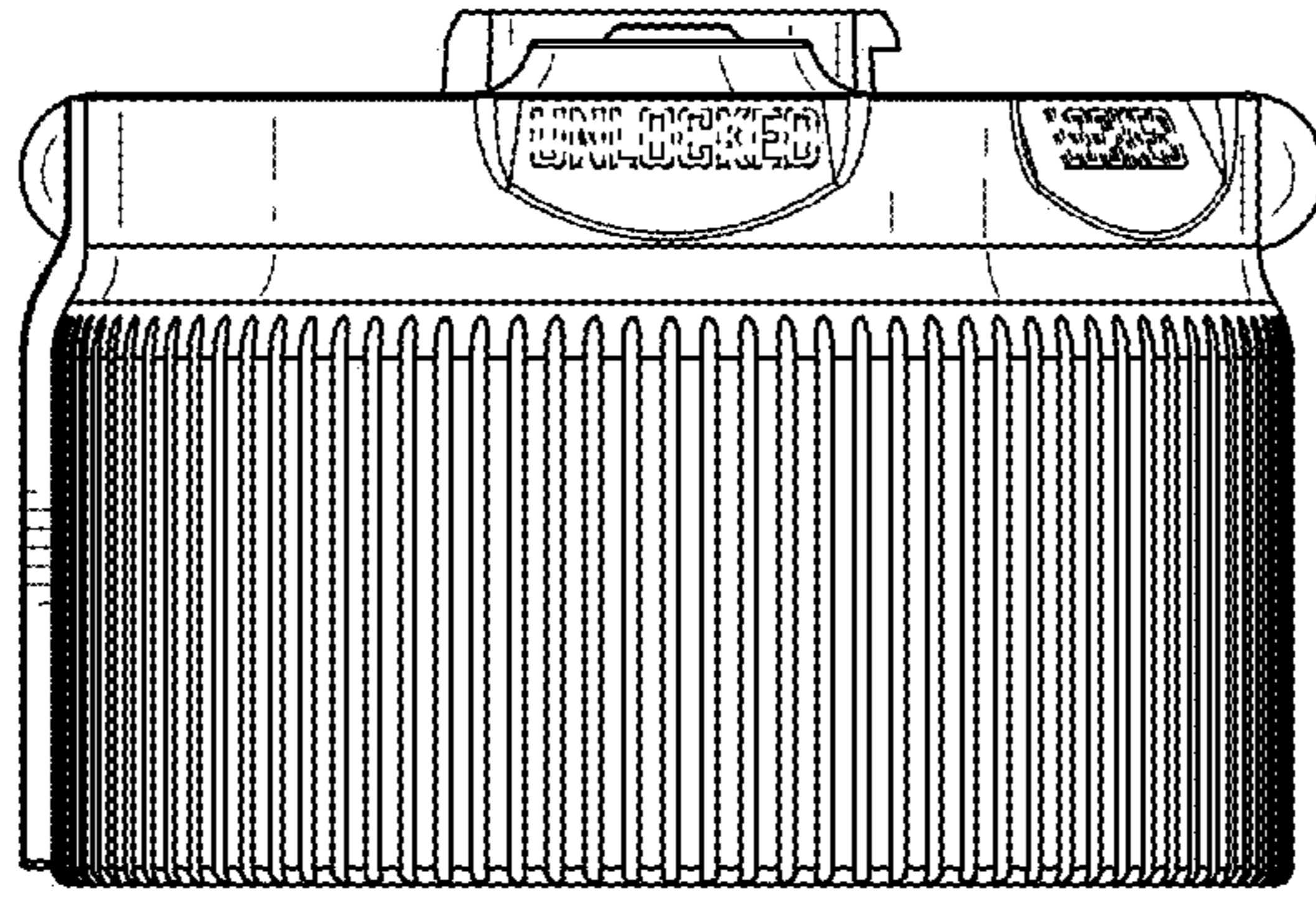


FIG. 5

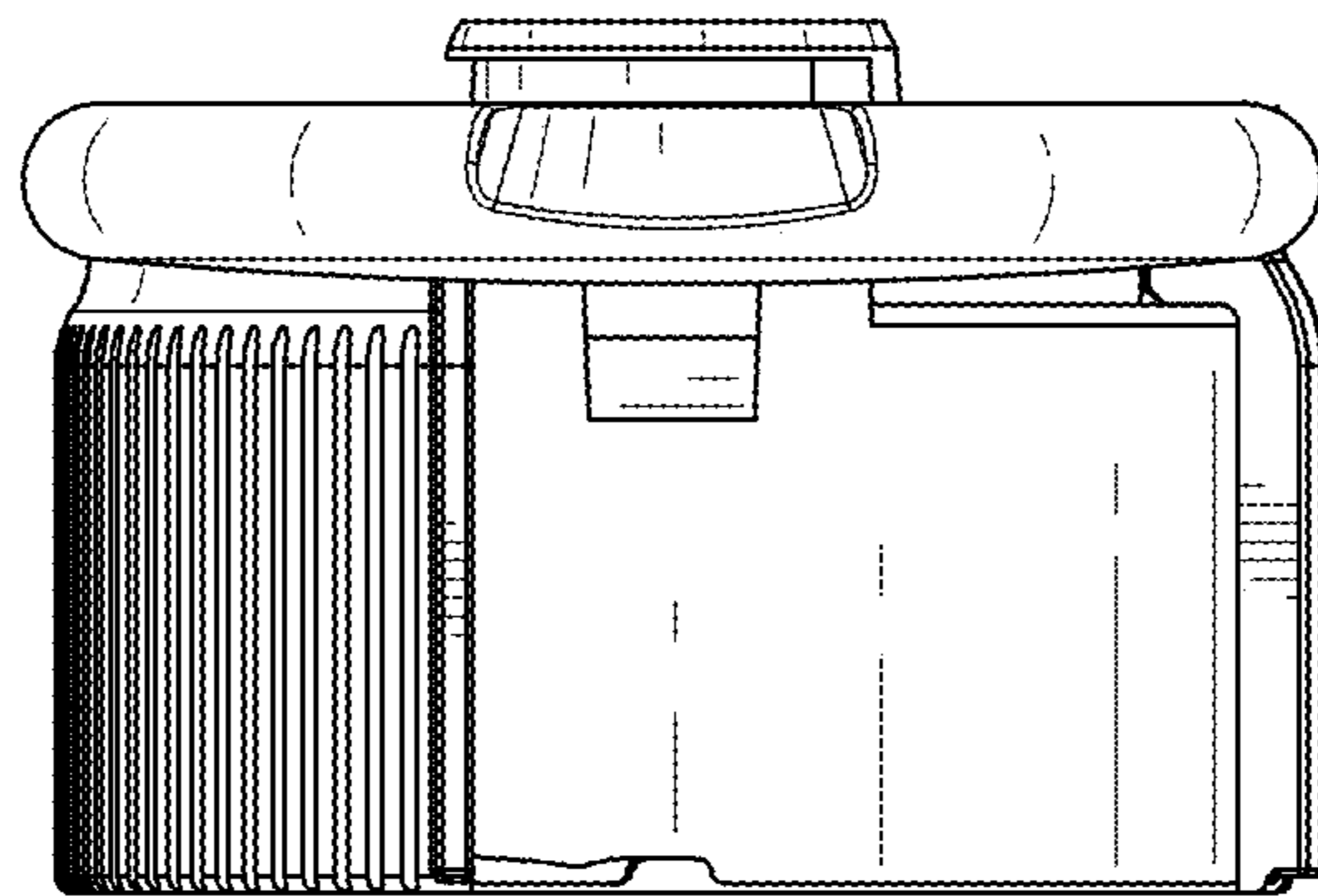


FIG. 6

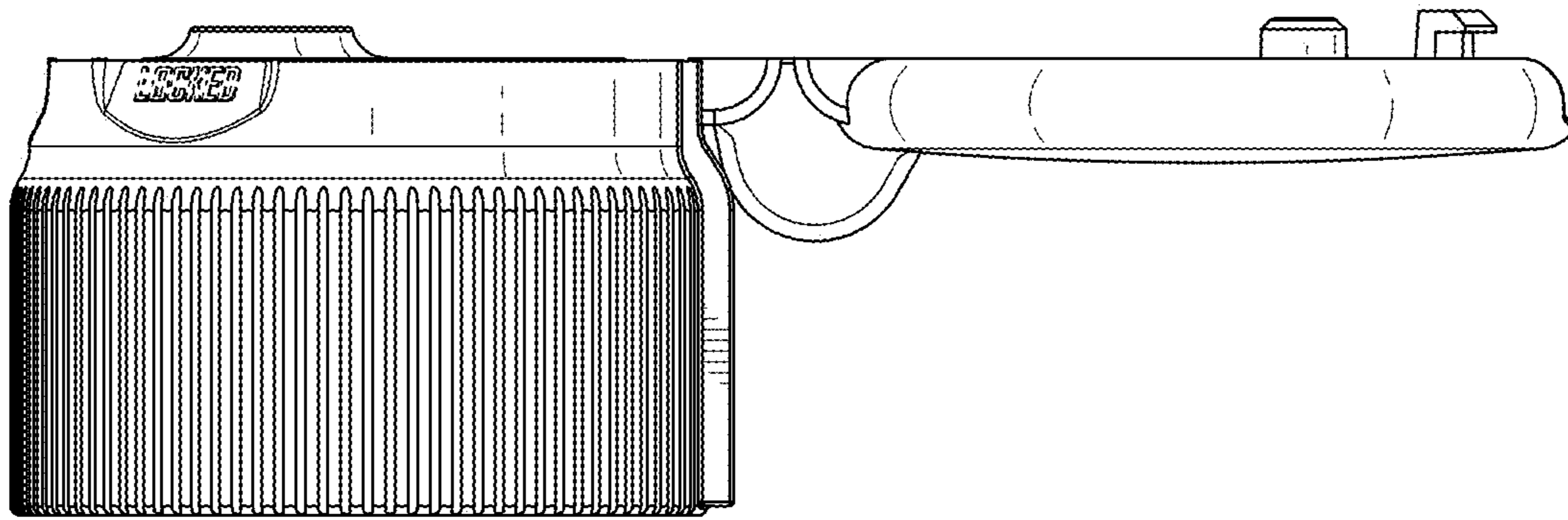


FIG. 7

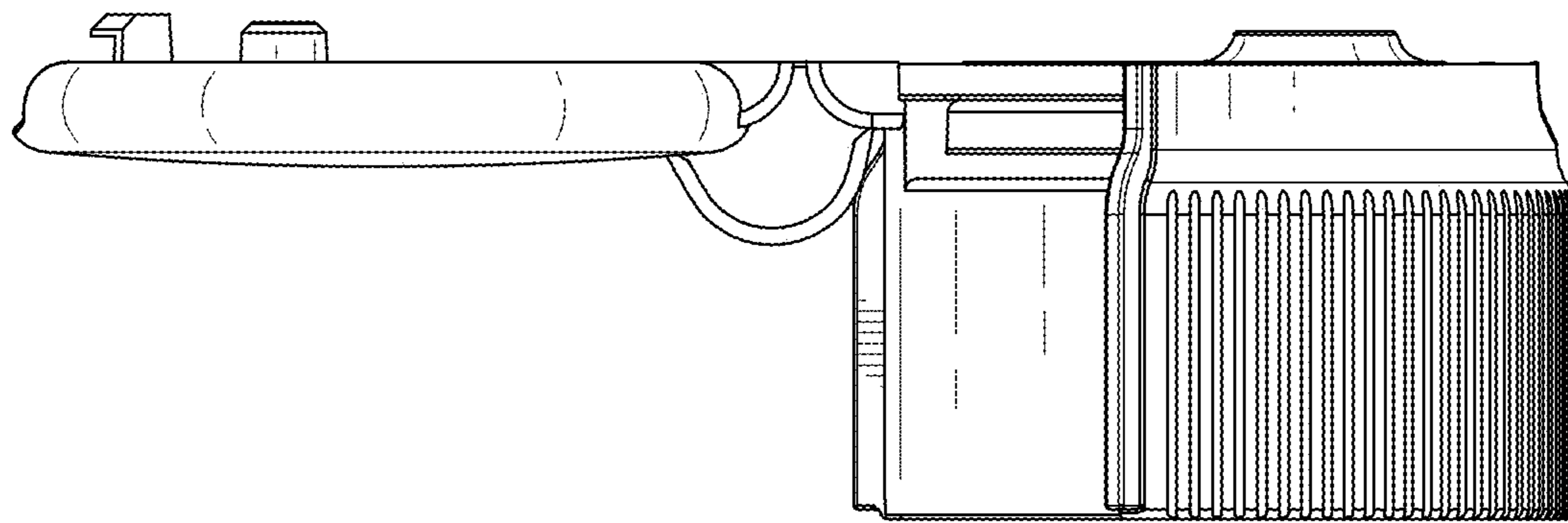


FIG. 8

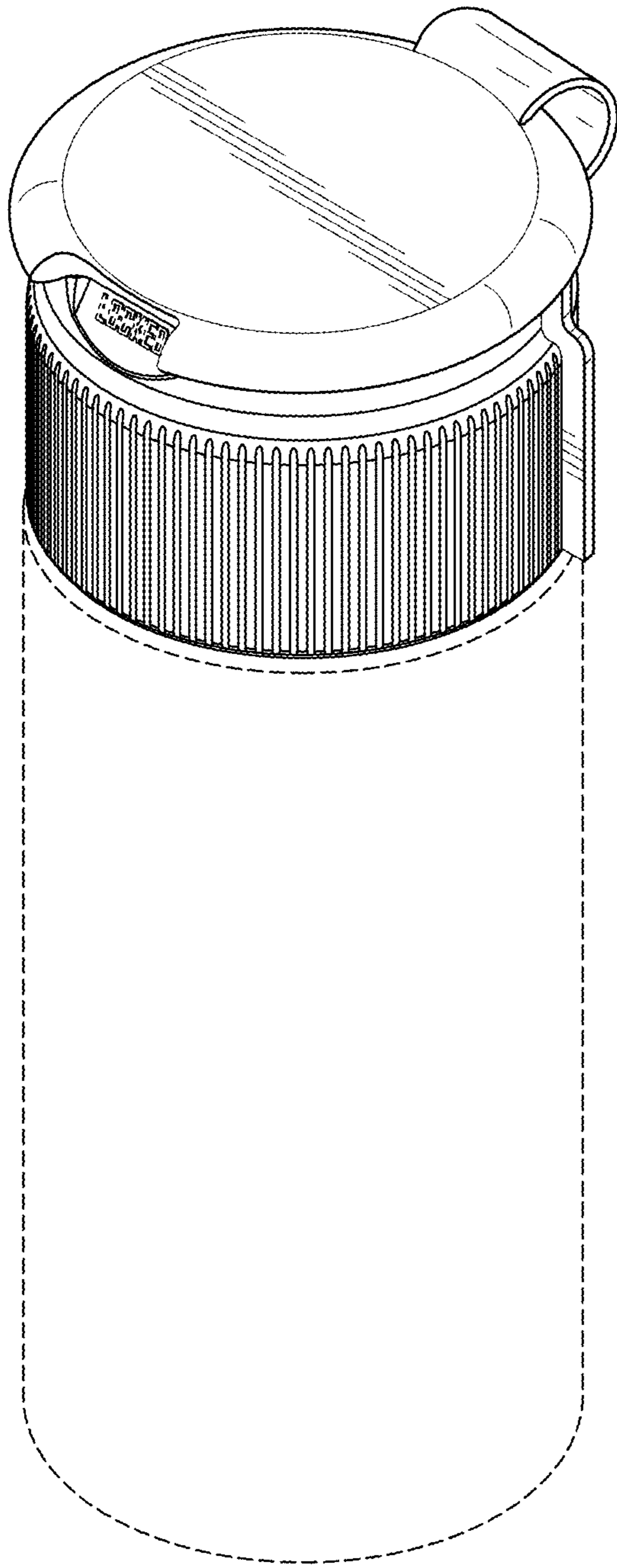


FIG. 9

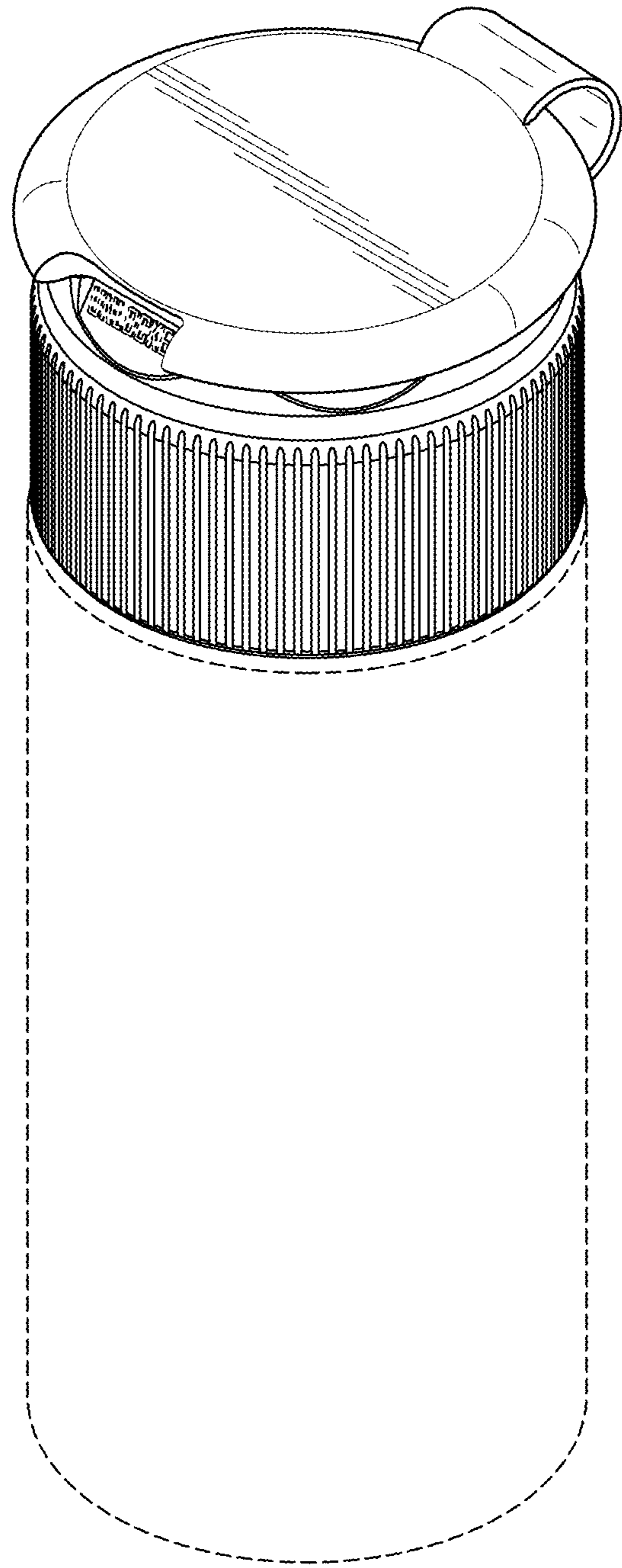


FIG. 10