



US00D902709S

(12) **United States Design Patent** (10) **Patent No.:** **US D902,709 S**
De Pietri Tonelli et al. (45) **Date of Patent:** **** Nov. 24, 2020**

(54) **PACKAGE FOR FOODSTUFF**

2543/00074; B65D 2543/00083; B65D 2543/00092; B65D 2543/00101; B65D 2543/00111; B21D 51/26; B21D 51/383; B29C 66/71; Y10T 29/49826

(71) Applicant: **TETRA LAVAL HOLDINGS & FINANCE S.A.**, Pully (CH)

See application file for complete search history.

(72) Inventors: **Roberto De Pietri Tonelli**, Colombaro di Formigine (IT); **Luisa D'Amato**, Modena (IT); **Marcello Barbieri**, Modena (IT); **Marco Marchetti**, Carpi (IT); **Alberto Mameli**, Modena (IT); **Daide Morciano**, Modena (IT)

(56) **References Cited**

U.S. PATENT DOCUMENTS

D668,539 S	*	10/2012	Barbieri	D9/431
D677,565 S	*	3/2013	Barbieri	D9/431
D691,882 S	*	10/2013	Barbieri	D9/430
D702,117 S	*	4/2014	Dagnino	D9/417

(Continued)

Primary Examiner — Keli L Hill

(73) Assignee: **TETRA LAVAL HOLDINGS & FINANCE S.A.** (CH)

(74) *Attorney, Agent, or Firm* — McAndrews, Held & Malloy, Ltd.

(**) Term: **15 Years**

(21) Appl. No.: **35/506,763**

(22) Filed: **Oct. 19, 2018**

(80) **Hague Agreement Data**

Int. Filing Date: **Oct. 19, 2018**

Int. Reg. No.: **DM/200852**

Int. Reg. Date: **Oct. 19, 2018**

Int. Reg. Pub. Date: **May 17, 2019**

(57) **CLAIM**

The ornamental design for a package for foodstuff, as shown and described.

DESCRIPTION

(30) **Foreign Application Priority Data**

Apr. 20, 2018 (EM) 005241767

(51) **LOC (12) Cl.** **09-01**

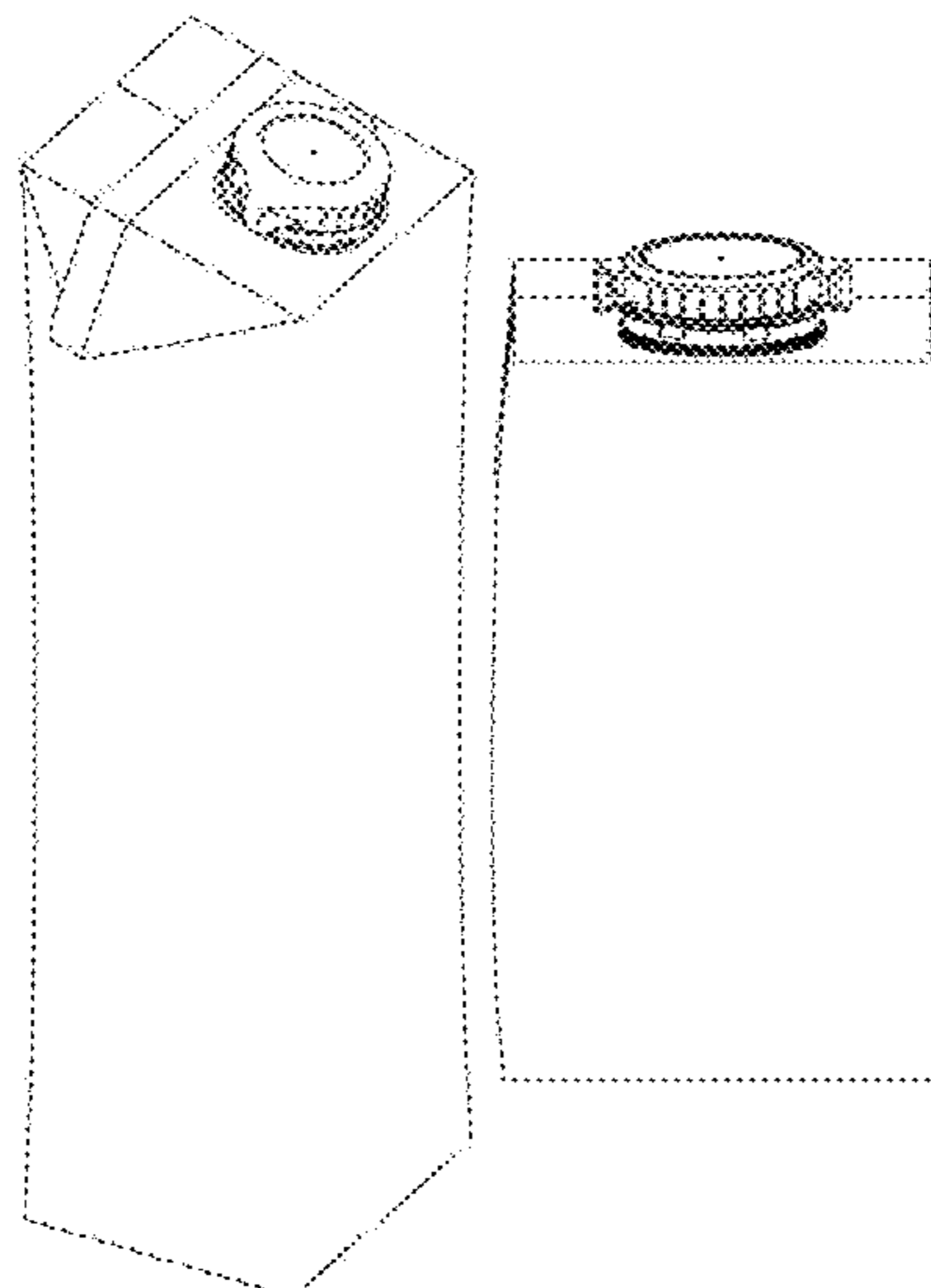
(52) **U.S. Cl.**
USPC **D9/431**

(58) **Field of Classification Search**
USPC D9/414, 424, 430-432, 433, 541, 543, D9/560, 572, 575

CPC ... B65D 1/00; B65D 1/02; B65D 1/12; B65D 1/14; B65D 1/40; B65D 1/44; B65D 1/023; B65D 1/0223; B65D 1/165; B65D 1/238; B65D 1/246; B65D 1/253; B65D 7/04; B65D 21/0209; B65D 21/0233; B65D 25/00; B65D 25/28; B65D 41/0457; B65D 41/17; B65D 53/06; B65D 75/56; B65D 79/005; B65D 2501/0036; B65D 2543/00064; B65D

1. Package for foodstuff
5. Package for foodstuff
- 1.1 : Front perspective view
- 1.2 : First side view
- 1.3 : Front view
- 1.4 : Second side view
- 1.5 : Rear view
- 1.6 : Top plan view
- 1.7 : Bottom plan view
- 5.1 : Front perspective view
- 5.2 : First side view
- 5.3 : Front view
- 5.4 : Second side view
- 5.5 : Rear view
- 5.6 : Top plan view
- 5.7 : Bottom plan view

1 Claim, 14 Drawing Sheets



(56)

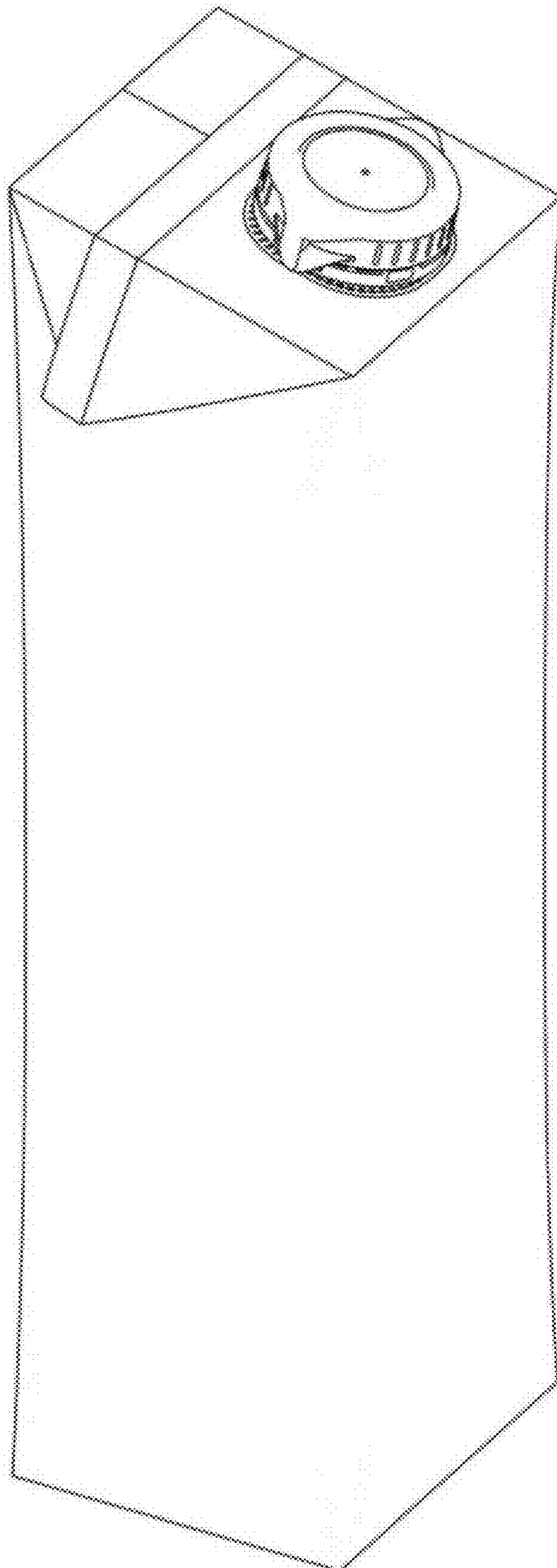
References Cited

U.S. PATENT DOCUMENTS

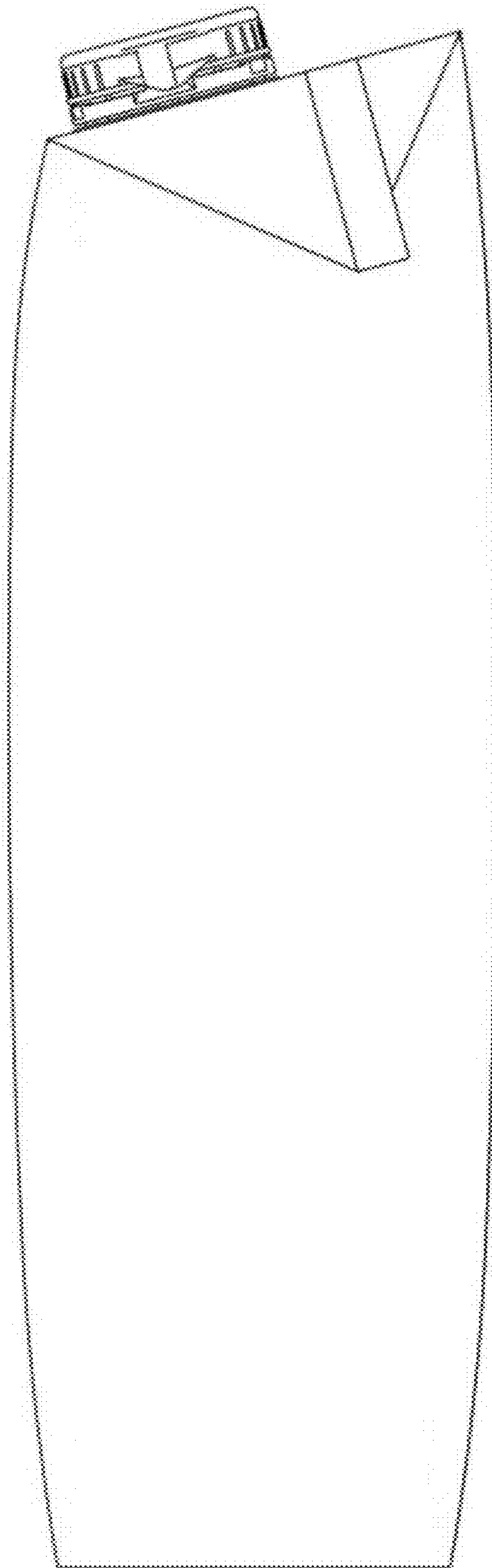
D714,638 S * 10/2014 Mohn D9/432
D721,576 S * 1/2015 De Pietri Tonelli D9/431
D795,686 S * 8/2017 Mohn D9/417
D803,044 S * 11/2017 Franic D9/431
D835,997 S * 12/2018 Vandenbos D9/600
D835,998 S * 12/2018 Vandenbos D9/600
D844,430 S * 4/2019 Dammers D9/431
10,414,535 B2 * 9/2019 Barbieri B65D 5/067

* cited by examiner

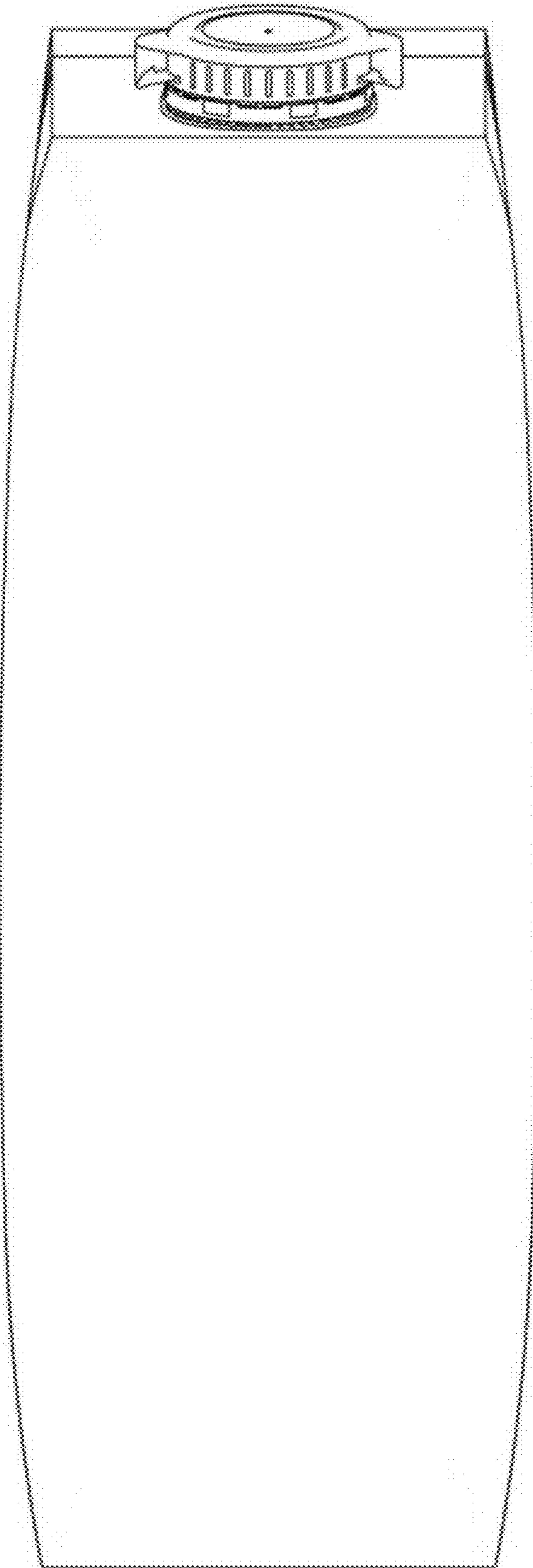
1.1



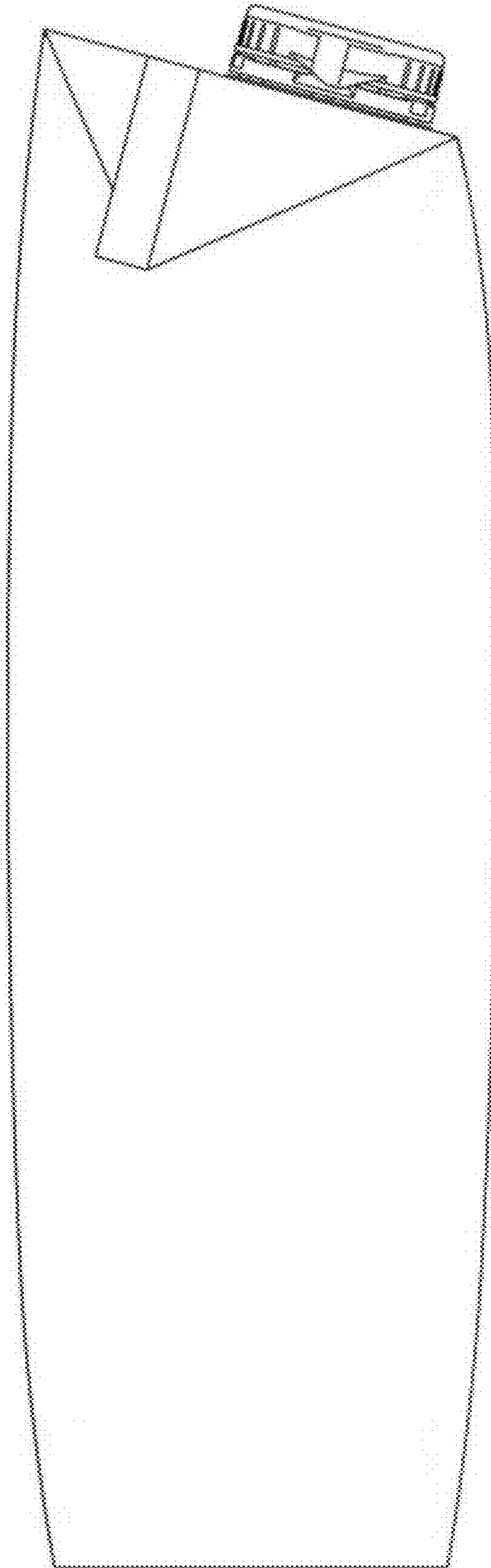
1.2



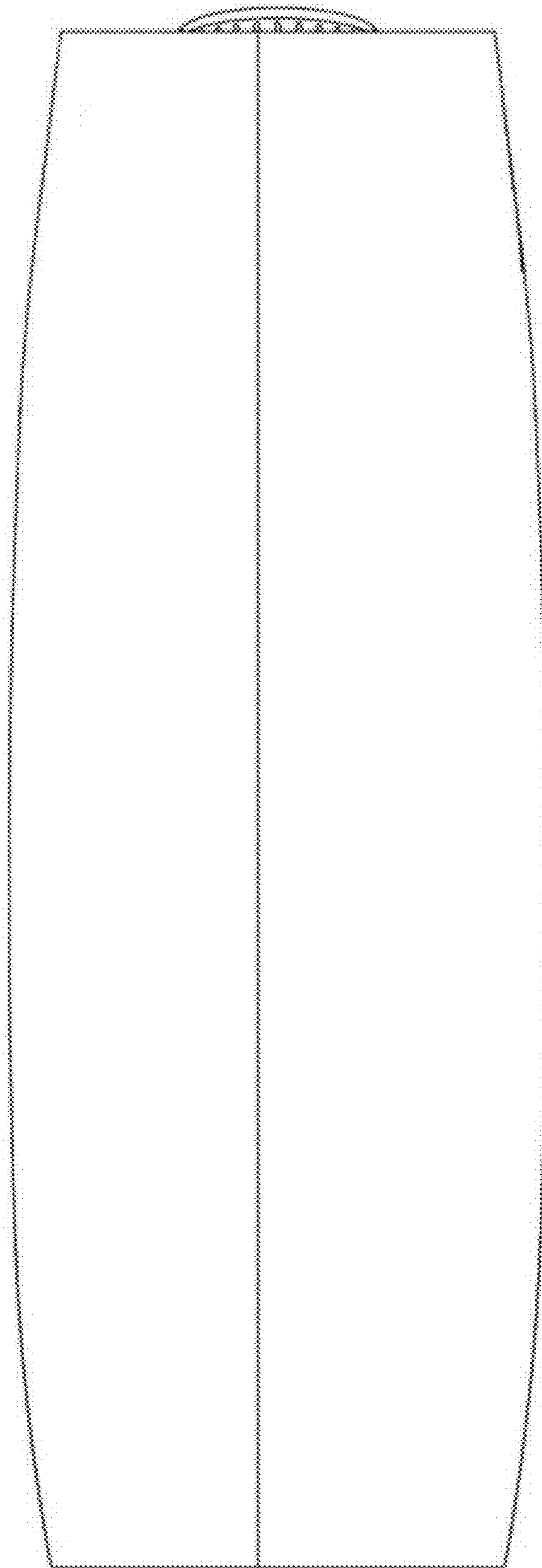
1.3



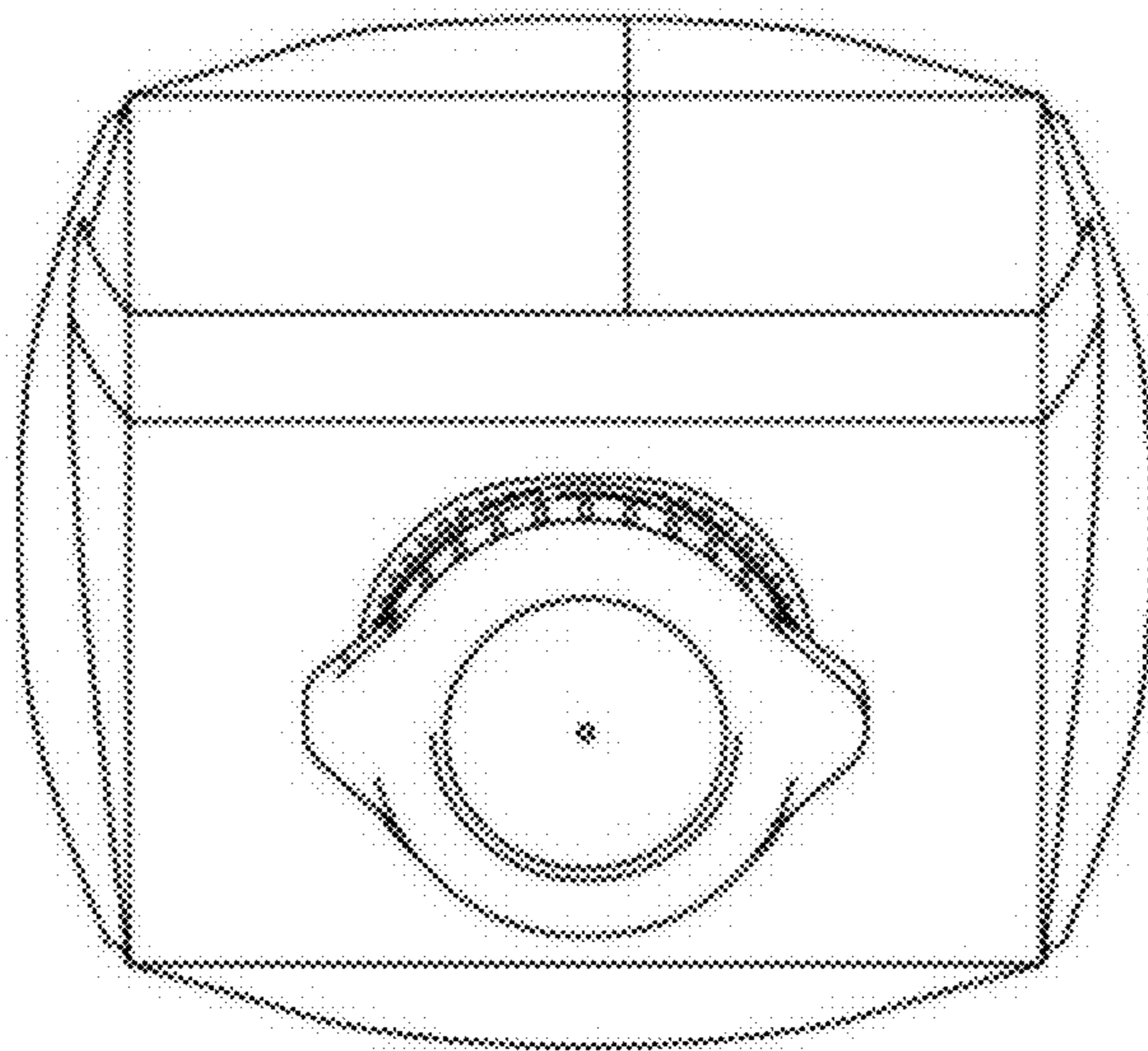
1.4



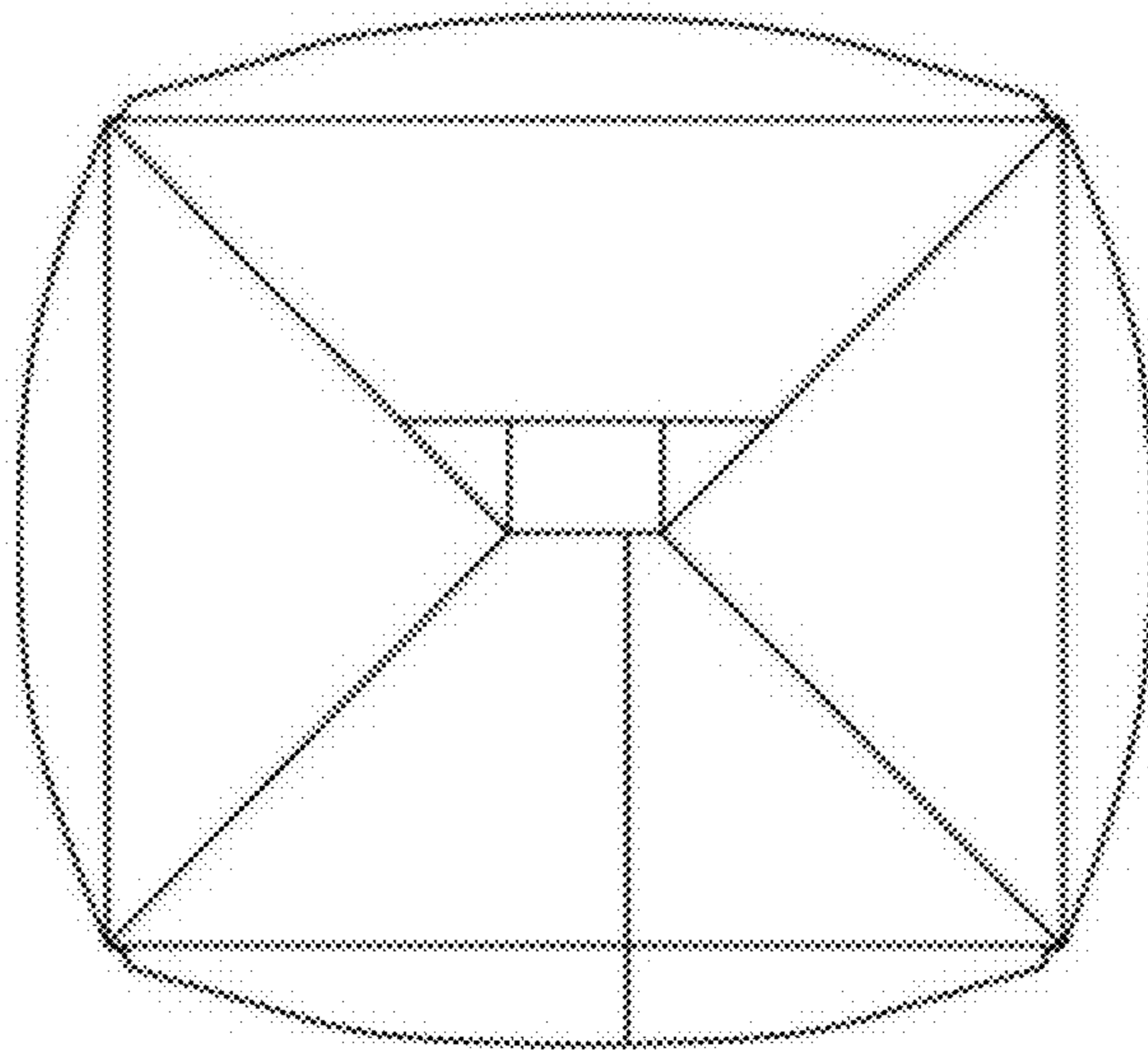
1.5



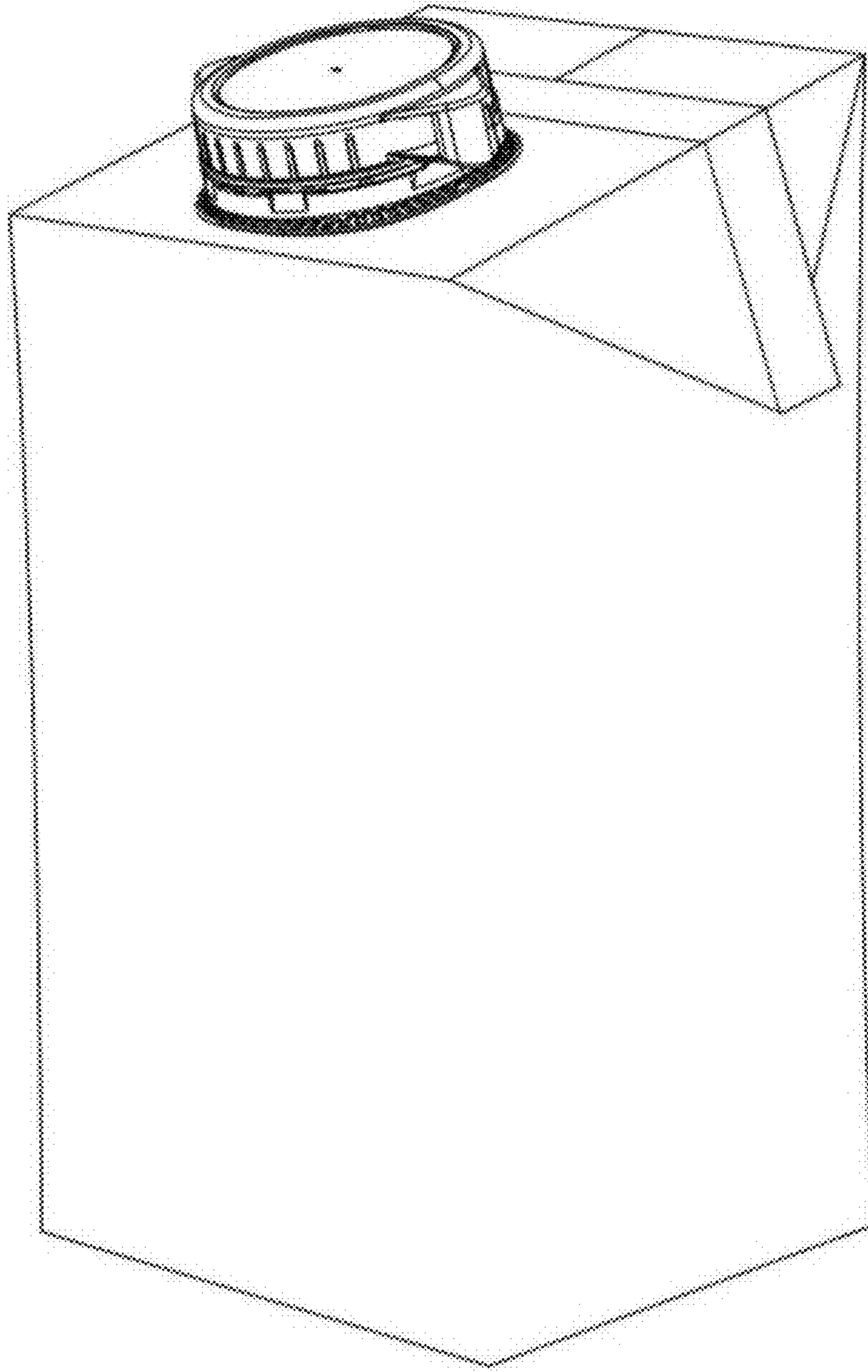
1.6



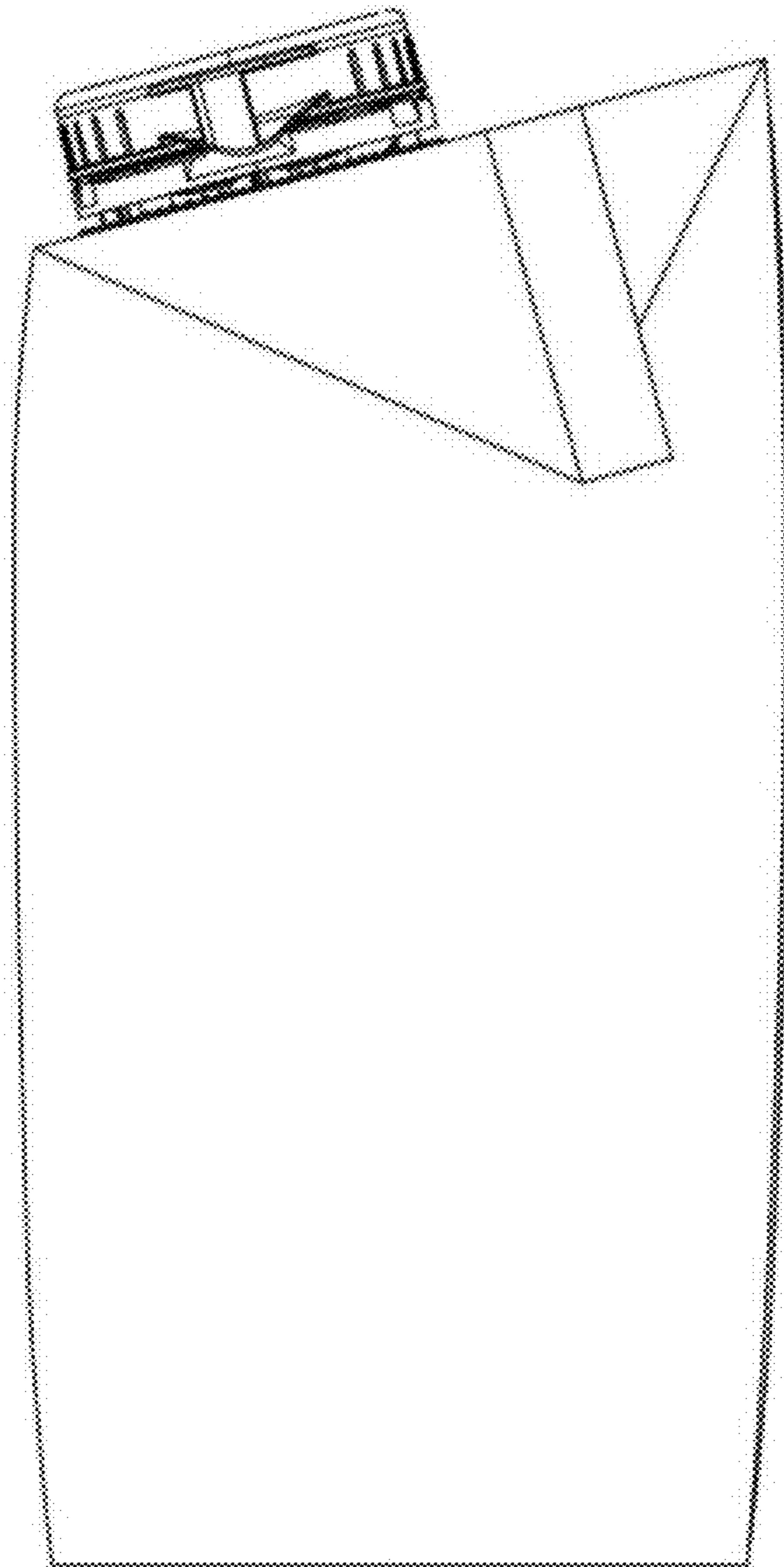
1.7



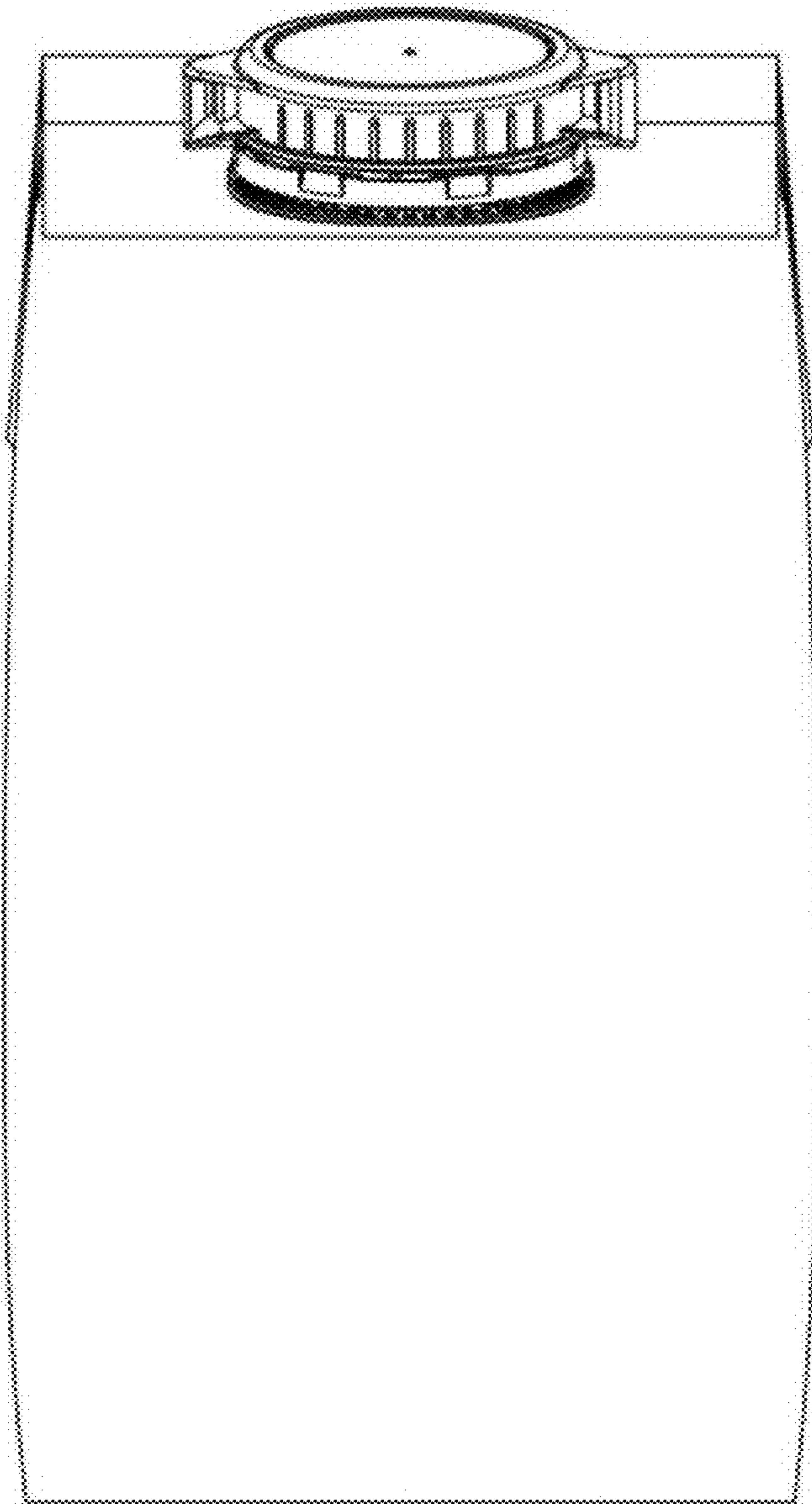
5.1



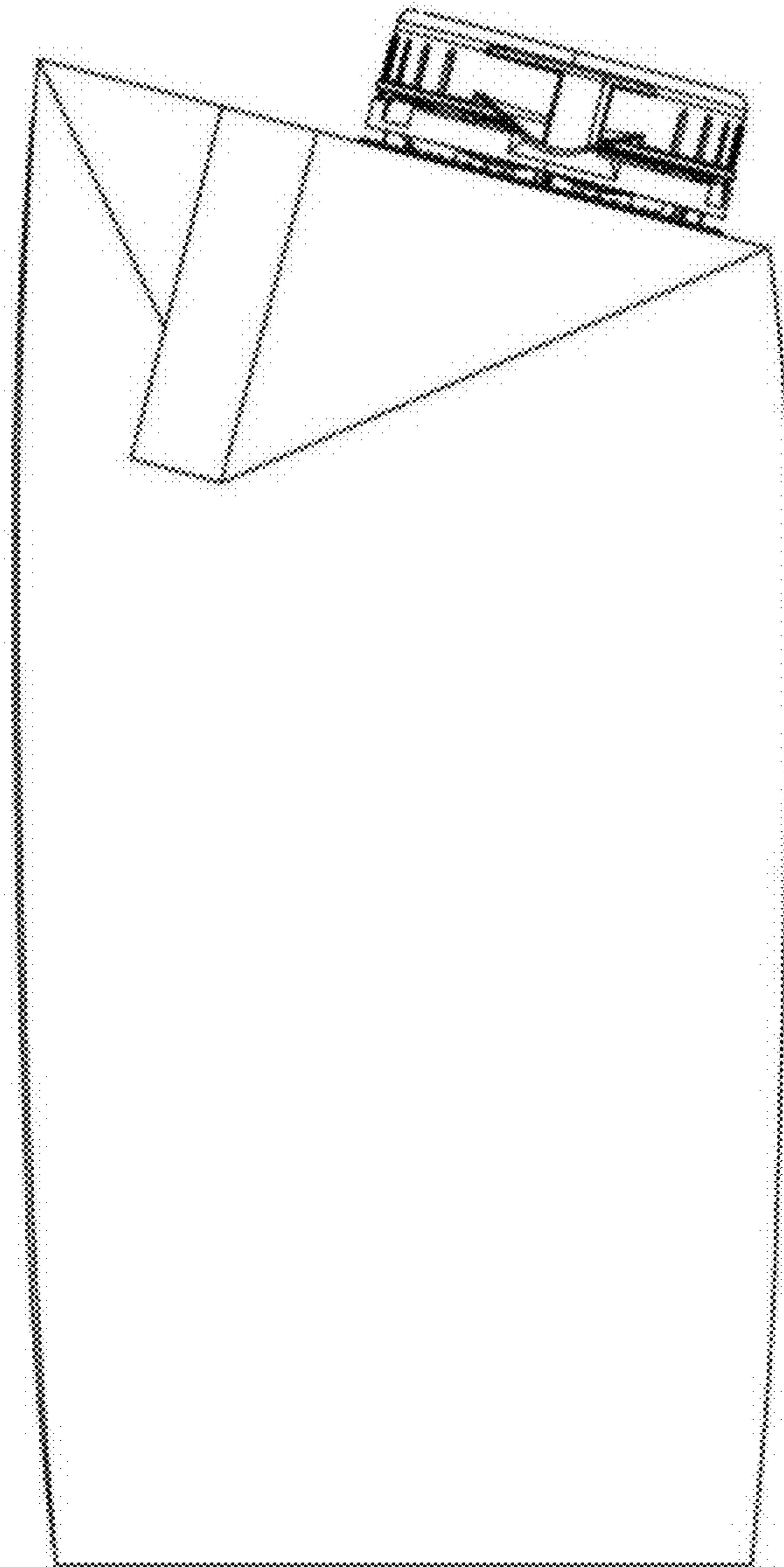
5.2



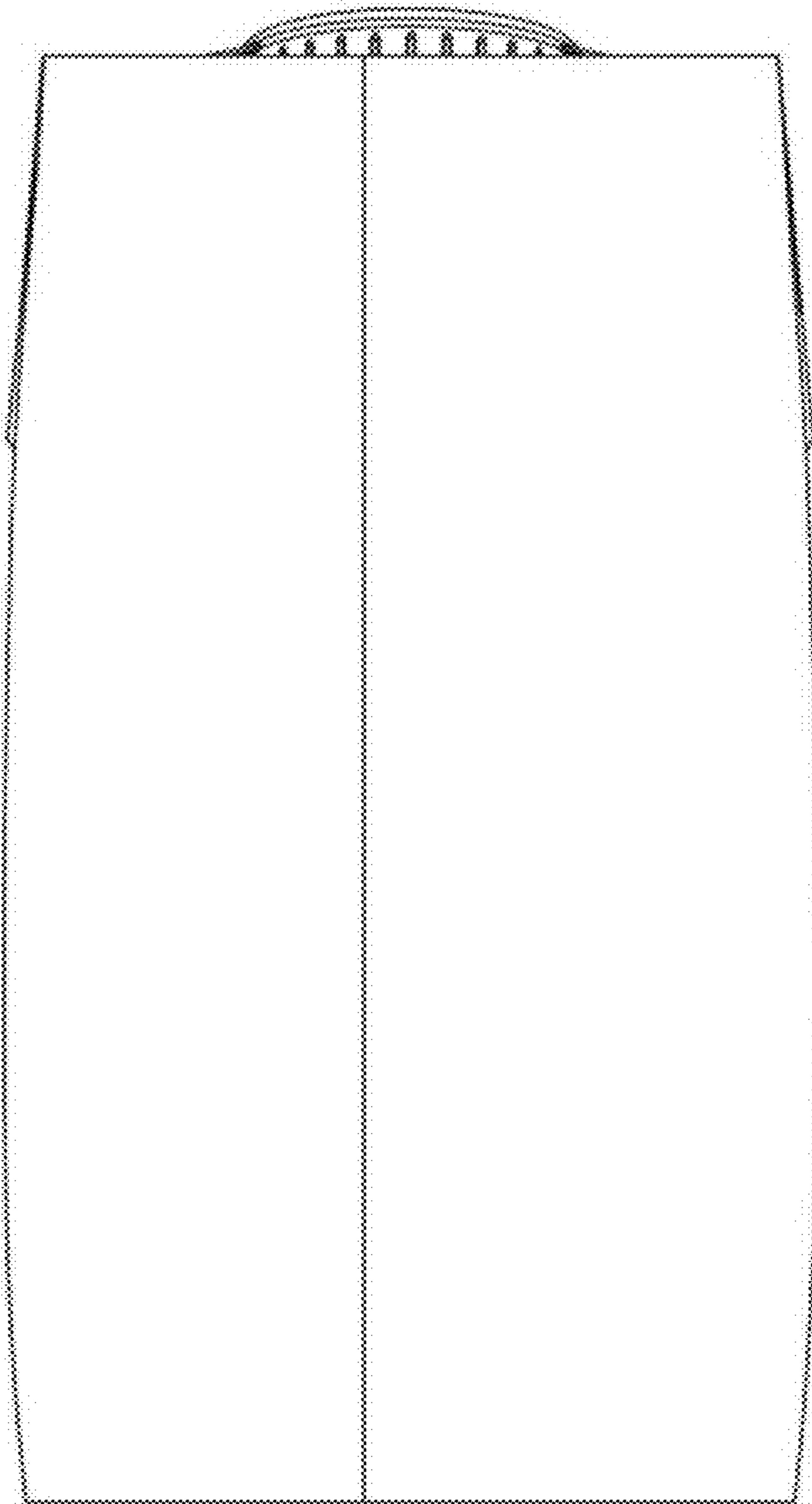
5.3



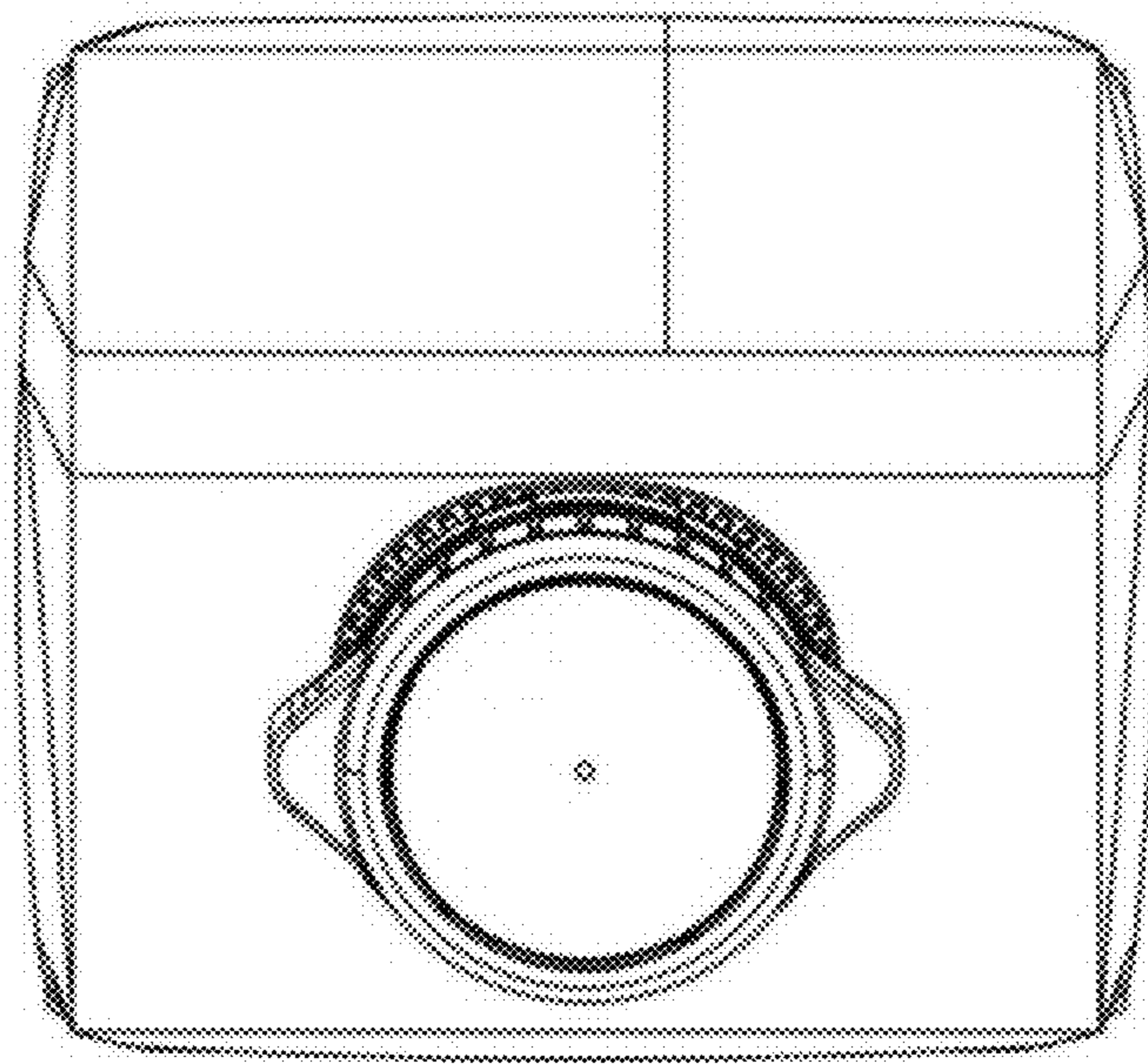
5.4



5.5



5.6



5.7

