



US00D902708S

(12) **United States Design Patent**
Ruppel et al.

(10) **Patent No.:** **US D902,708 S**

(45) **Date of Patent:** **** Nov. 24, 2020**

(54) **CONTAINER**

(71) Applicant: **Société des Produits Nestlé S.A.**,
Vevey (CH)

(72) Inventors: **Nicolas Ruppel**, Grostenquin (FR);
Yukihiro Urushidani, Webster Groves,
MO (US)

(73) Assignee: **Société des Produits Nestlé S.A.**,
Vevey (CH)

(**) Term: **15 Years**

(21) Appl. No.: **29/690,337**

(22) Filed: **May 7, 2019**

(51) **LOC (12) Cl.** **09-03**

(52) **U.S. Cl.**
USPC **D9/425**

(58) **Field of Classification Search**
USPC D7/400, 601, 608; D9/416, 417, 420,
D9/425-429, 430, 432, 761; 206/499,
206/501, 502, 821; 220/625, 656, 669,
220/670, 674; 229/123.1, 123.2, 125.33,
229/125.35, 400-407, 915, 939
CPC . B65D 1/26; B65D 1/40; B65D 5/243; B65D
81/3453; B65D 2581/34; B65D
2581/3404; B65D 2581/3456
See application file for complete search history.

(56) **References Cited**

U.S. PATENT DOCUMENTS

D351,765 S * 10/1994 Beeler D7/538
D354,435 S * 1/1995 Krupa D9/423

D547,177 S * 7/2007 Sherman D9/425
D630,091 S * 1/2011 Schick D9/430
D672,615 S * 12/2012 Stamper D7/602
D696,907 S * 1/2014 Everingham D7/587
D702,509 S * 4/2014 Segal D7/629
D781,700 S * 3/2017 Middleton D9/424
2011/0272318 A1 * 11/2011 Gallop B65D 21/0233
206/518

* cited by examiner

Primary Examiner — Janice Patyk

(74) *Attorney, Agent, or Firm* — Finnegan, Henderson,
Farabow, Garrett & Dunner, LLP

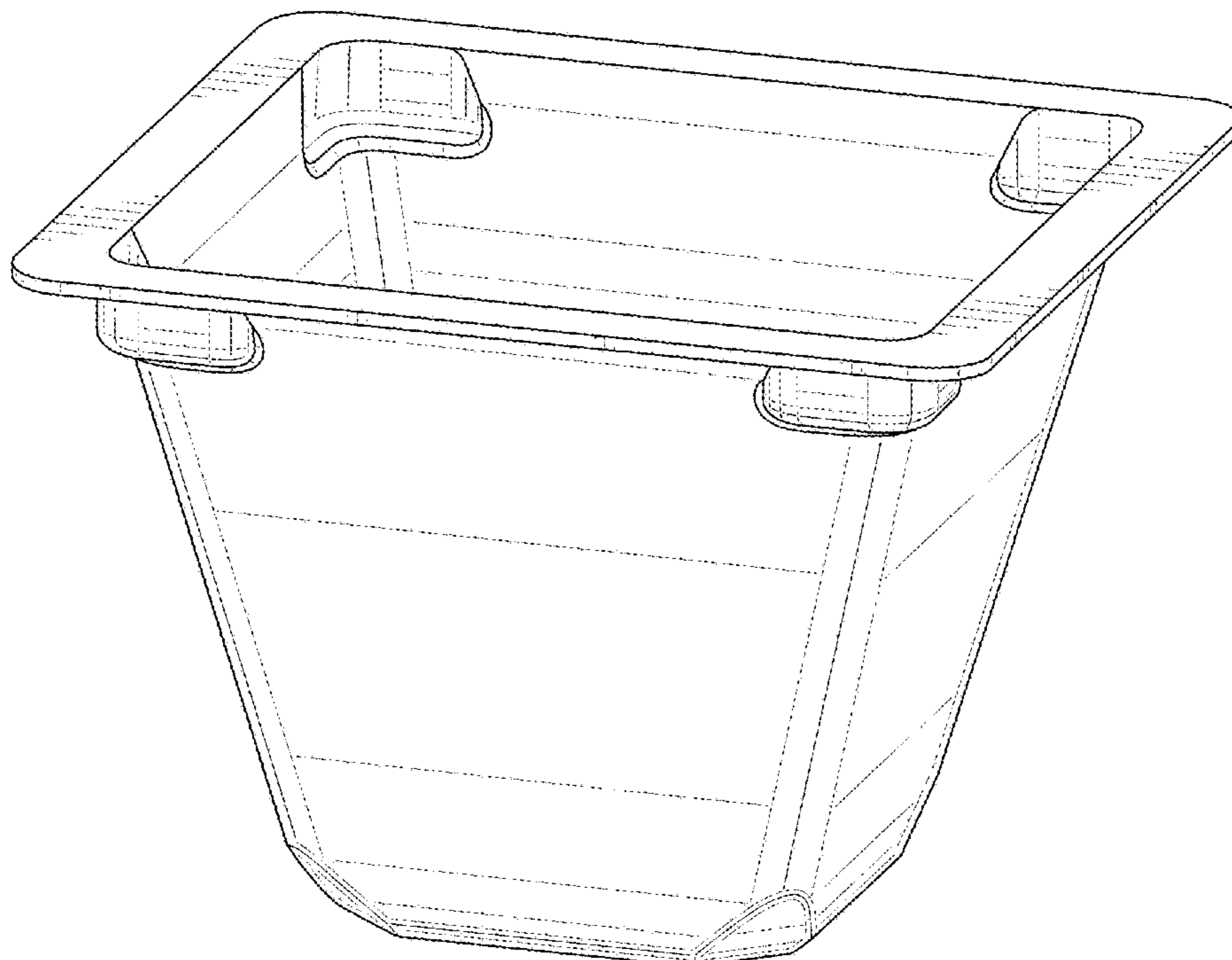
(57) **CLAIM**

The ornamental design for a container, as shown and described.

DESCRIPTION

FIG. 1 is a top, front, right side perspective view of a container, showing our new design;
FIG. 2 is a front elevation view thereof;
FIG. 3 is a rear elevation view thereof;
FIG. 4 is a left side view thereof;
FIG. 5 is a right side view thereof;
FIG. 6 is a top plan view thereof; and,
FIG. 7 is a bottom plan view thereof.
The broken lines illustrate portions of the design that form no part of the claimed design.

1 Claim, 7 Drawing Sheets



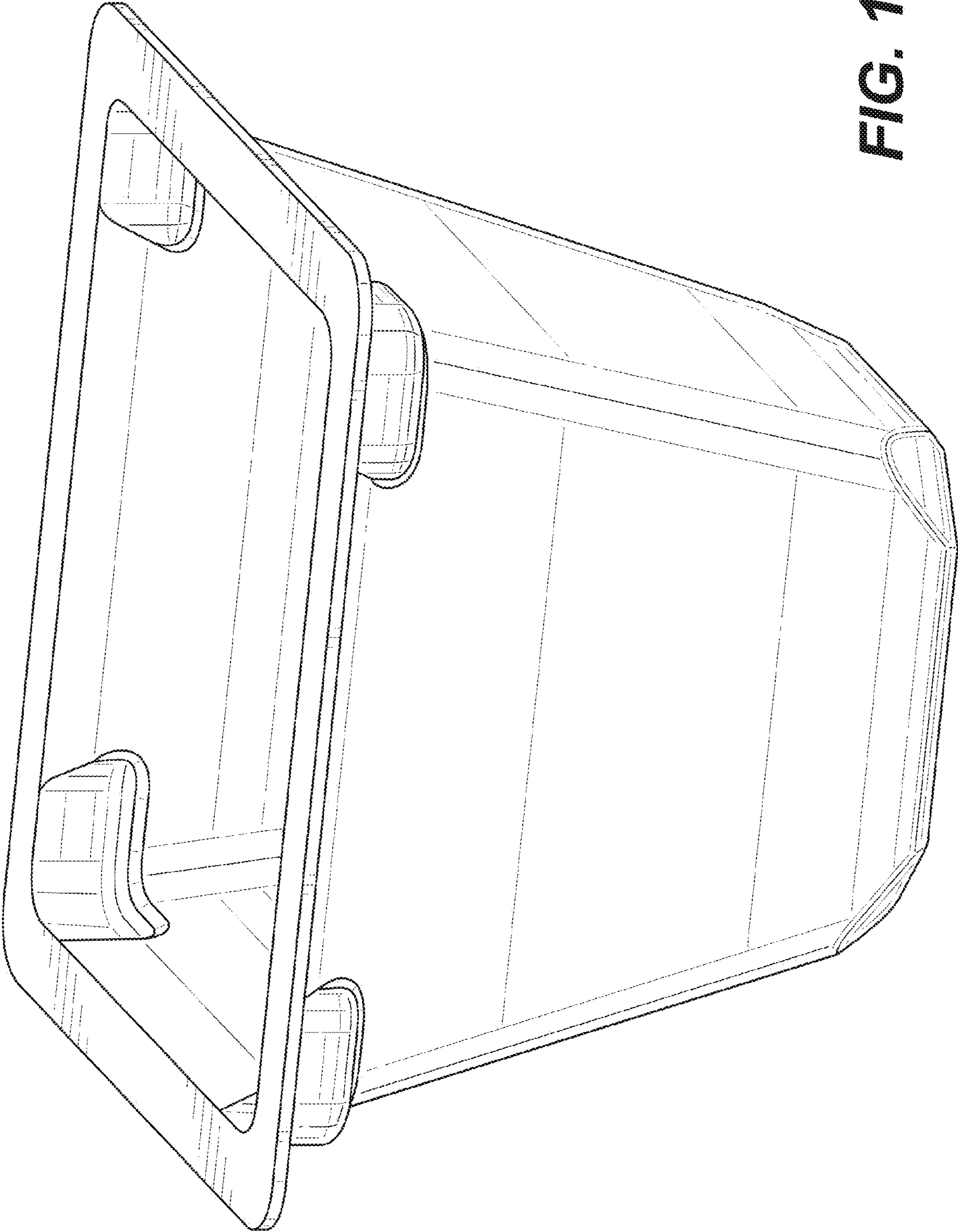


FIG. 1

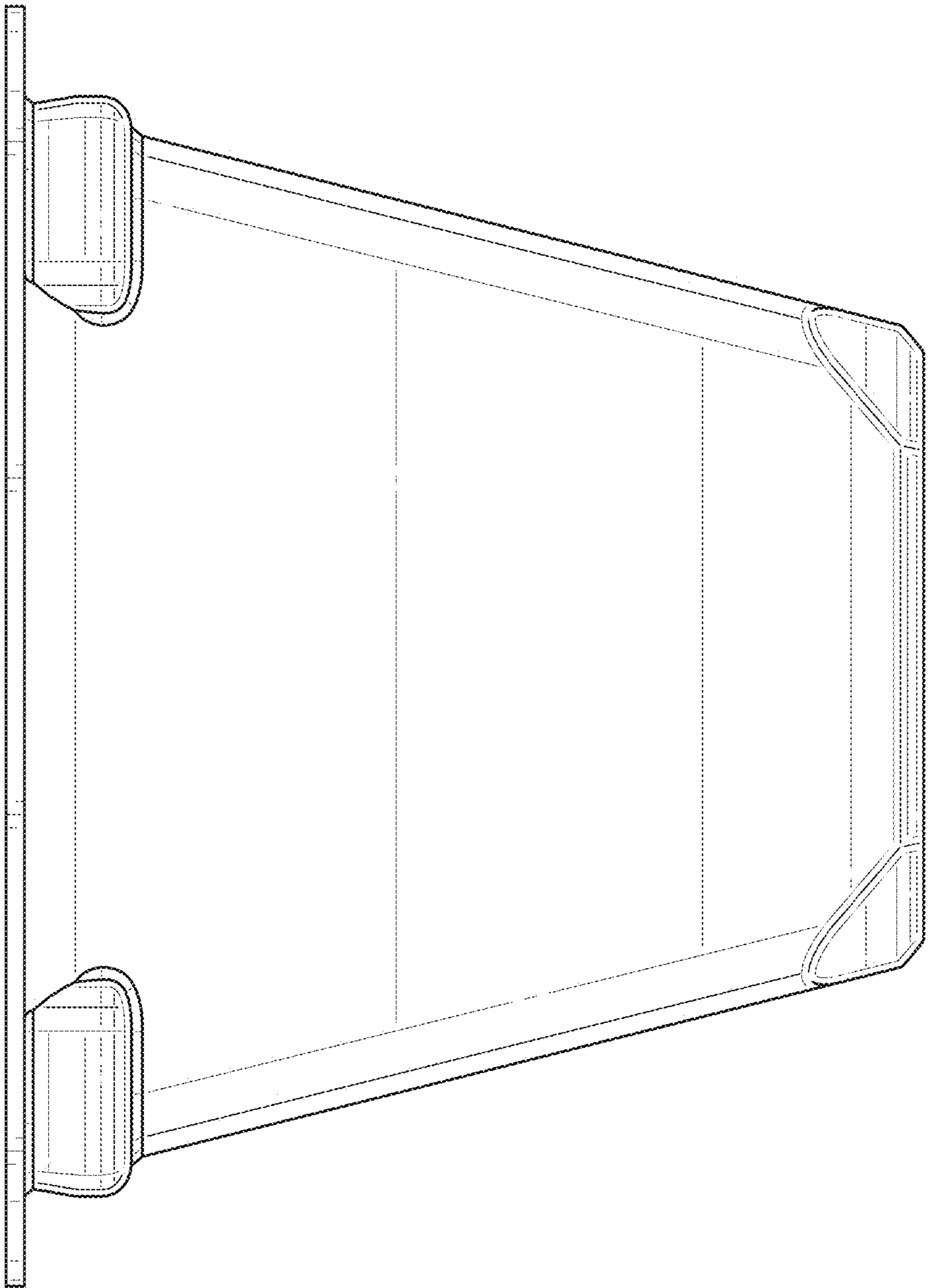


FIG. 2

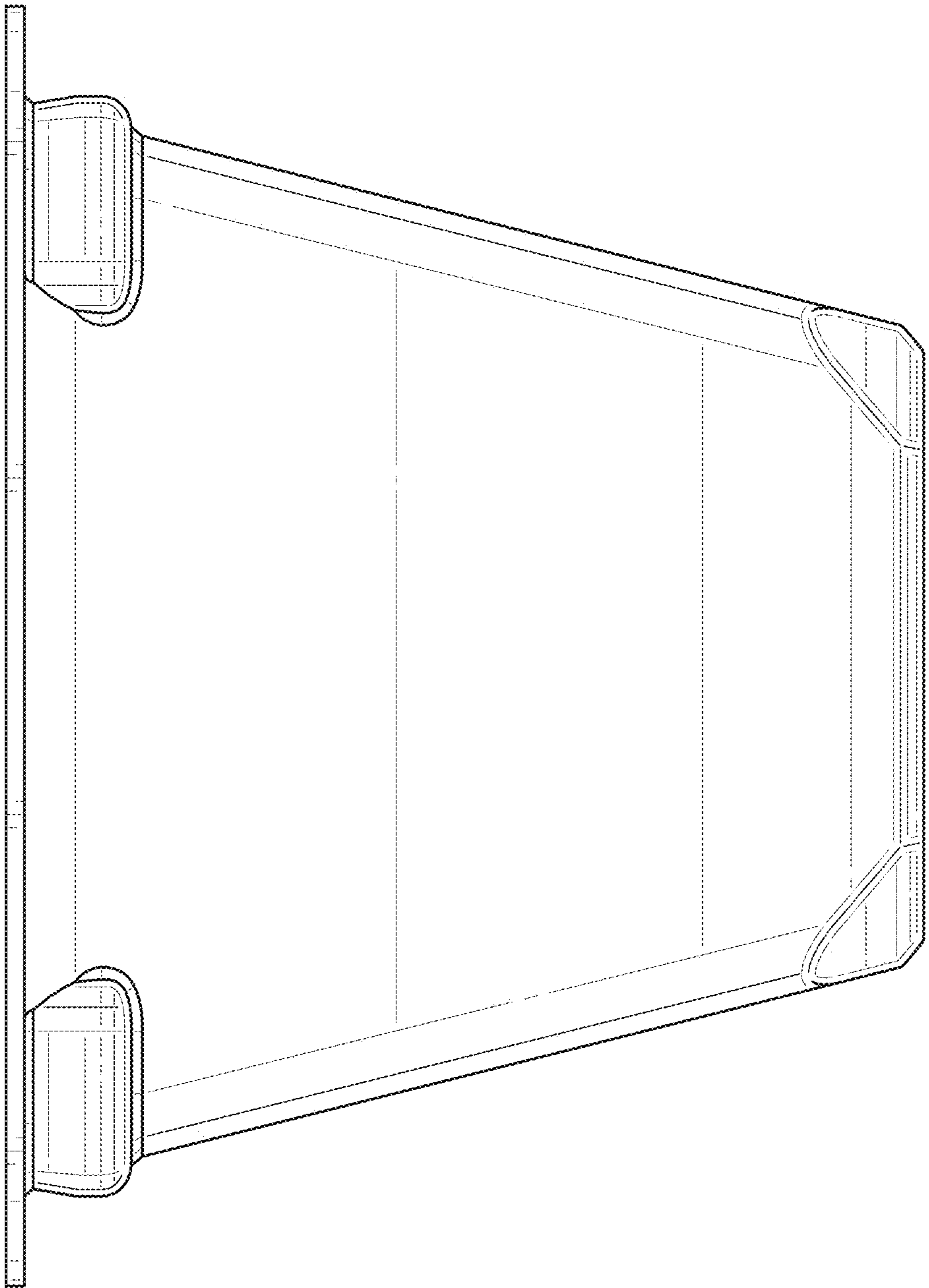


FIG. 3

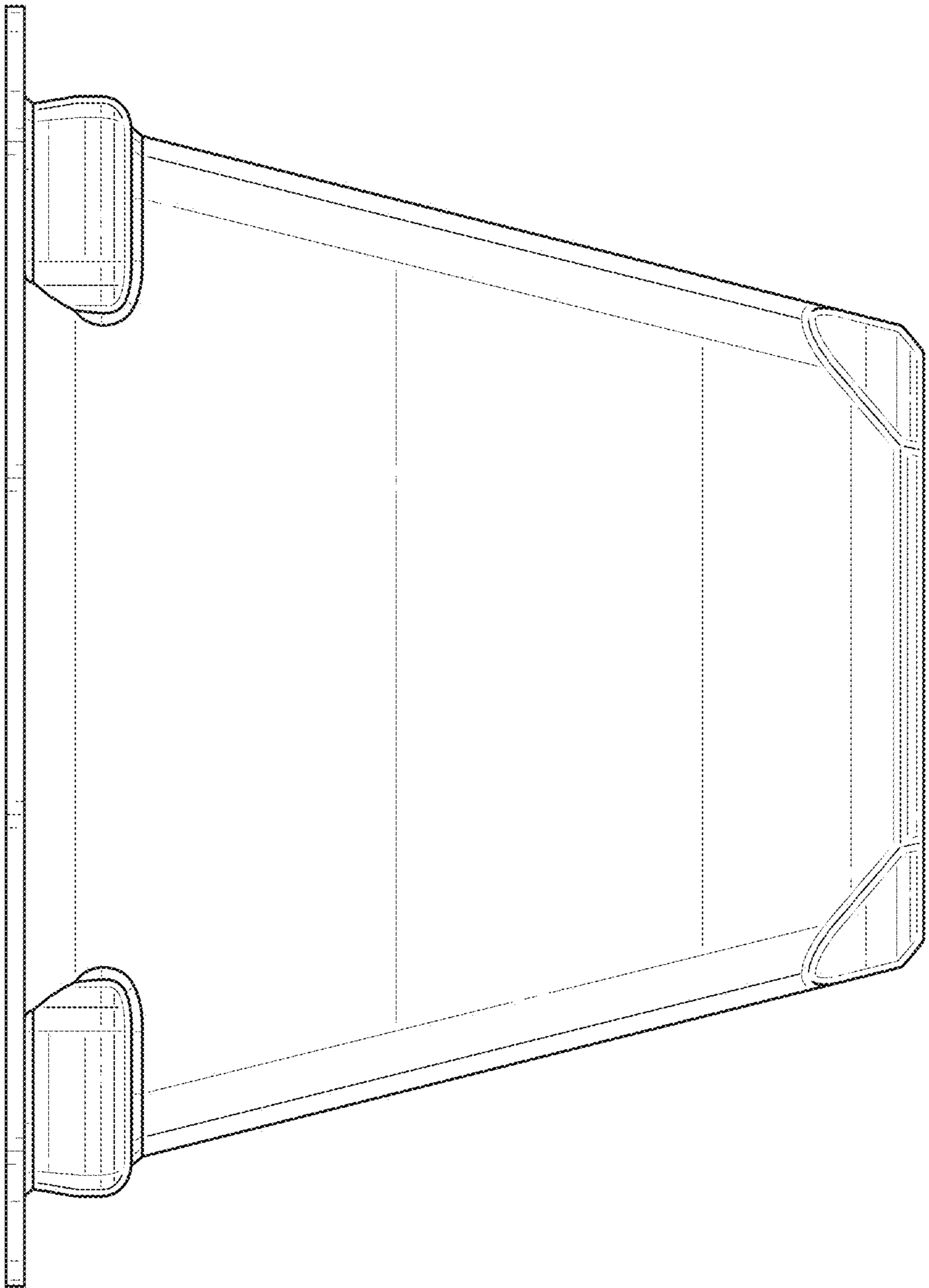


FIG. 4

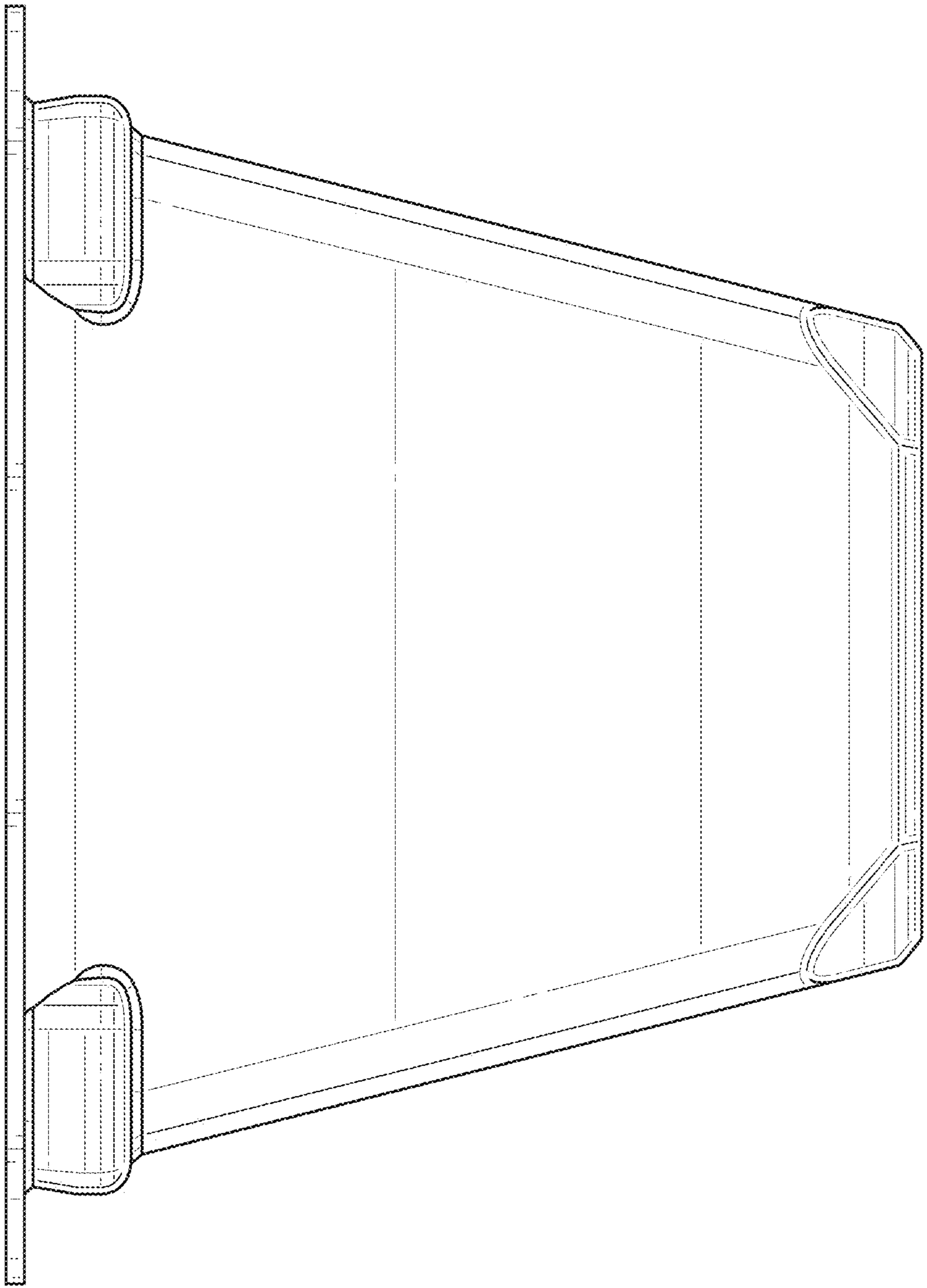


FIG. 5

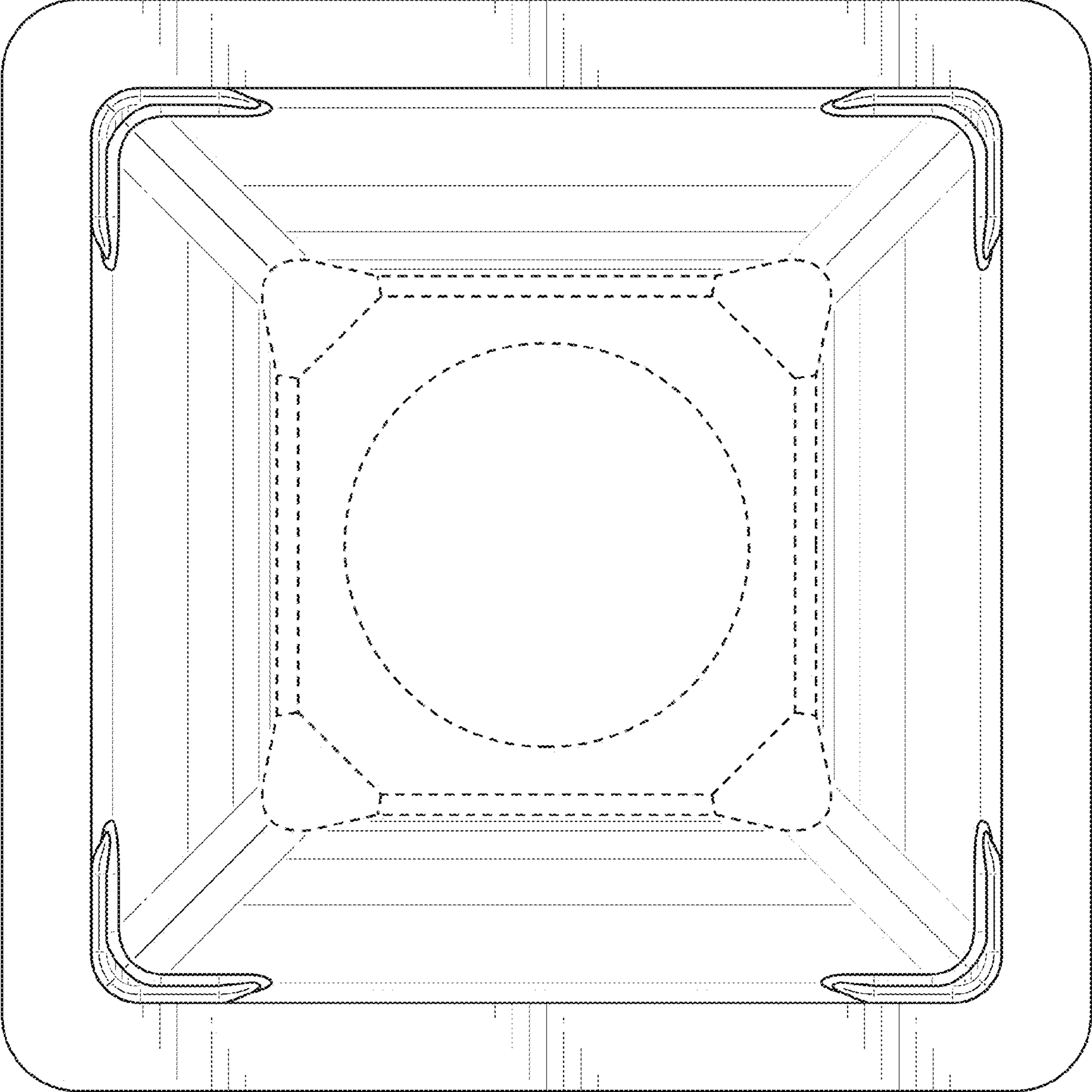


FIG. 6

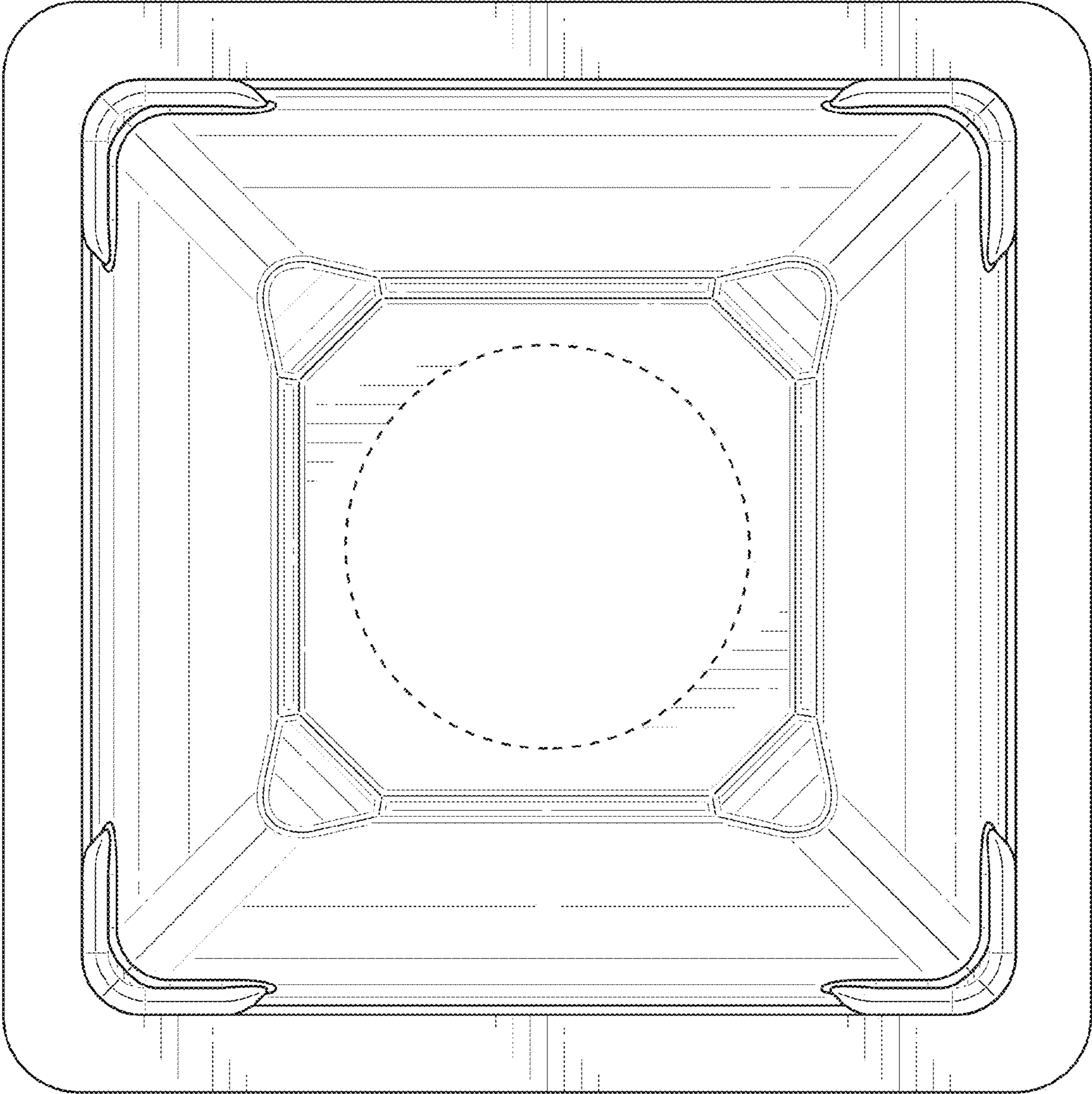


FIG. 7