



US00D902704S

(12) **United States Design Patent**  
**Millerd**

(10) **Patent No.:** **US D902,704 S**

(45) **Date of Patent:** **\*\* Nov. 24, 2020**

(54) **MOUNTABLE HOLDER**

(71) Applicant: **Chet Millerd**, Laughlin, NV (US)

(72) Inventor: **Chet Millerd**, Laughlin, NV (US)

(\*\*) Term: **15 Years**

(21) Appl. No.: **29/734,036**

(22) Filed: **May 8, 2020**

**Related U.S. Application Data**

(63) Continuation of application No. 16/197,887, filed on Nov. 21, 2018.

(51) **LOC (12) Cl.** ..... **08-05**

(52) **U.S. Cl.**  
USPC ..... **D8/380**

(58) **Field of Classification Search**  
USPC ..... D8/300, 315, 316, 303, 306, 319, 321,  
D8/359, 374, 375, 376, 377, 400, 61, 64,  
D8/70, 363, 381, 354, 349, 403, 57, 69,  
D8/310; D23/303-305; D7/393, 394,  
D7/395

CPC ..... Y10T 16/469; Y10T 16/44; Y10T 16/458;  
Y10T 16/498; Y10T 16/476; Y10T  
16/459; Y10T 16/513

See application file for complete search history.

(56) **References Cited**

**U.S. PATENT DOCUMENTS**

1,074,133 A	9/1913	Nuestaedter	
D937,160	10/1934	Hesler	
4,241,472 A	12/1980	Iannarone	
4,953,241 A	8/1990	Williams	
5,533,601 A *	7/1996	Wang	A45C 13/22 150/108
5,816,374 A	10/1998	Hsien	
5,845,978 A *	12/1998	Jung	G06F 1/181 312/244
6,374,460 B1 *	4/2002	Edevold	A45C 13/26 16/422

6,389,645 B1 \* 5/2002 Polidoro ..... A45C 13/26  
16/405

6,536,078 B2 3/2003 Tsai  
D548,560 S \* 8/2007 Weinerman ..... D8/301

7,574,771 B2 8/2009 Cheng  
D625,574 S \* 10/2010 Burns ..... D8/306

7,882,594 B2 2/2011 Ramsauer

(Continued)

**FOREIGN PATENT DOCUMENTS**

GB 2461492 A 1/2010

*Primary Examiner* — Keli L Hill

*Assistant Examiner* — Harold E Blackwell, II

(74) *Attorney, Agent, or Firm* — McKee, Voorhees & Sease, PLC

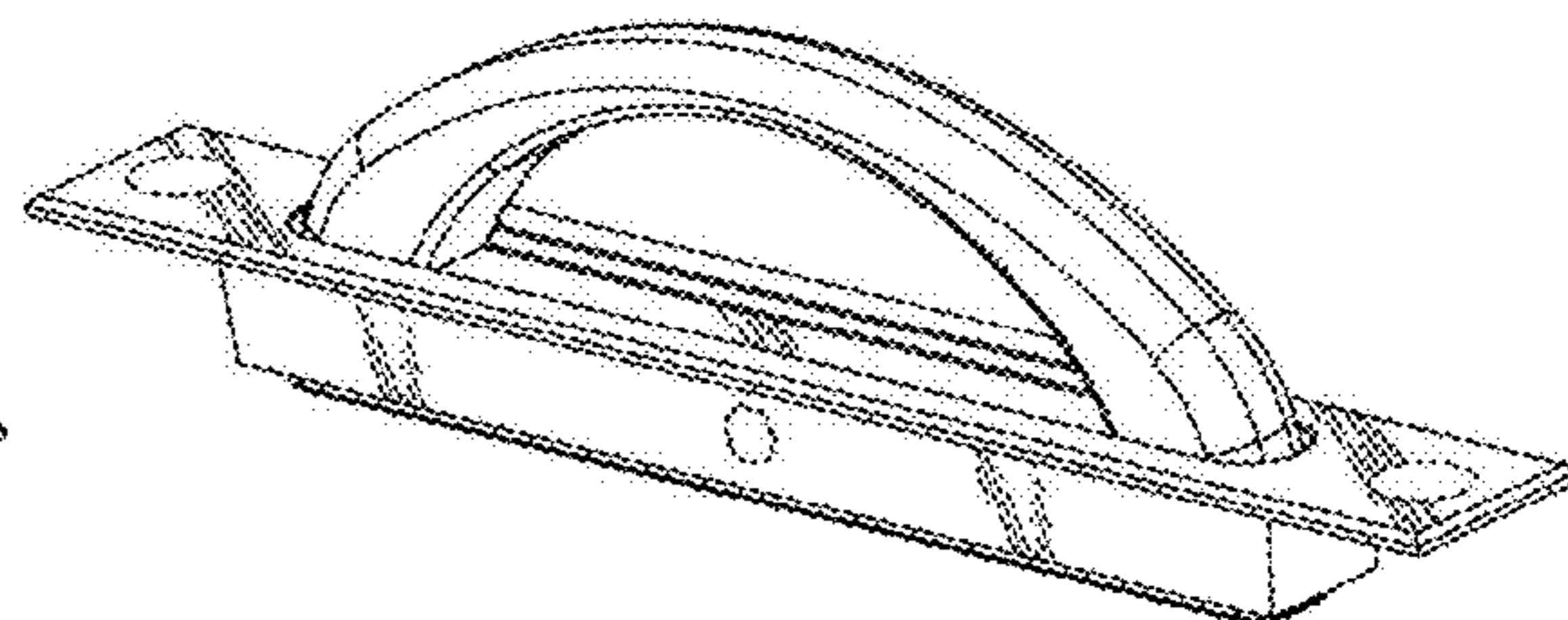
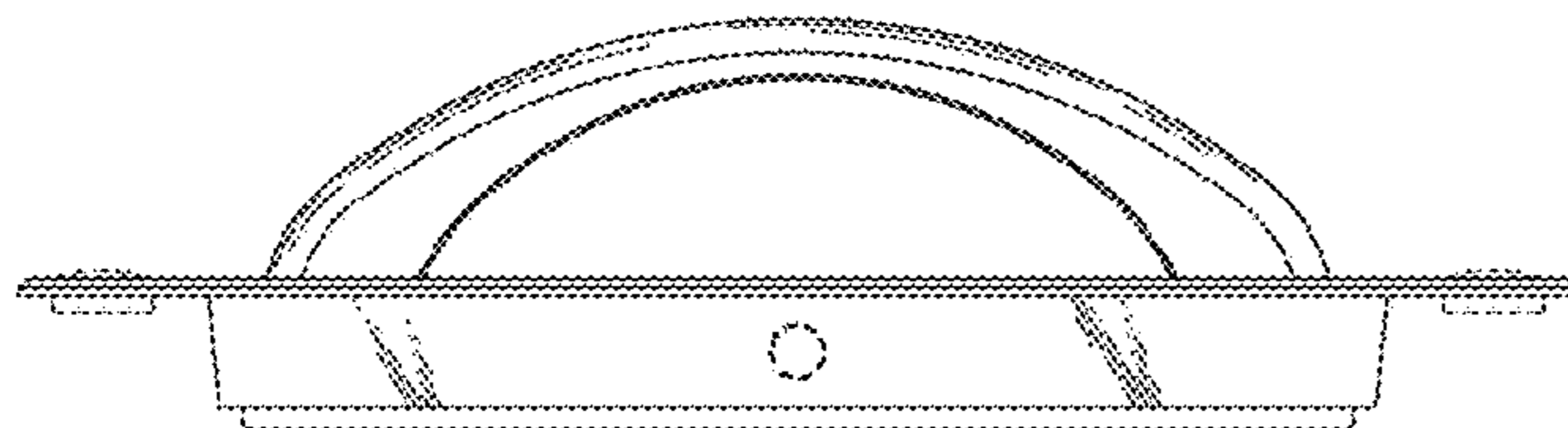
(57) **CLAIM**

The ornamental design for a mountable holder, as shown and described.

**DESCRIPTION**

FIG. 1 is a top elevational view of a mountable holder; FIG. 2 is a front elevational view thereof, the rear elevational view being a mirror image thereof; FIG. 3 is a left-side view thereof, the right-side view being a mirror image thereof; FIG. 4 is a top perspective view thereof; FIG. 5 is another top perspective view thereof, shown in an alternate position; FIG. 6 is yet another top perspective view thereof, shown in another alternate position; FIG. 7 is a bottom perspective view thereof; FIG. 8 is another bottom perspective view thereof, shown in an alternate position; and, FIG. 9 is yet another bottom perspective view thereof, shown in another alternate position. Structure and environment shown in broken lines form no part of the claimed design.

**1 Claim, 3 Drawing Sheets**



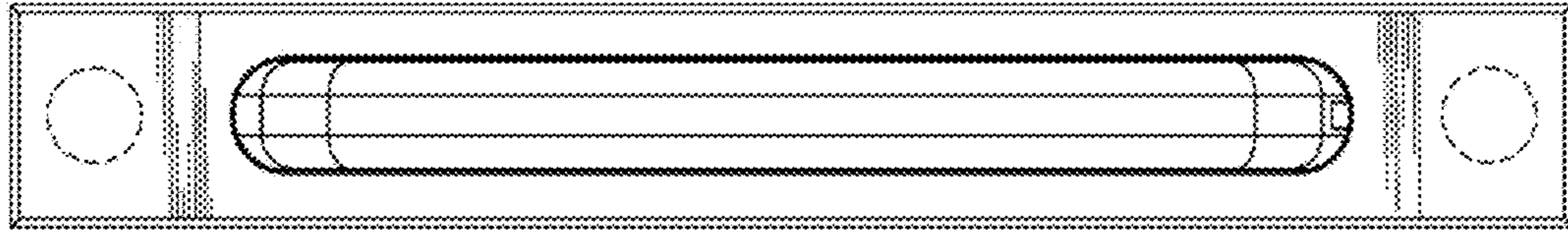
(56)

**References Cited**

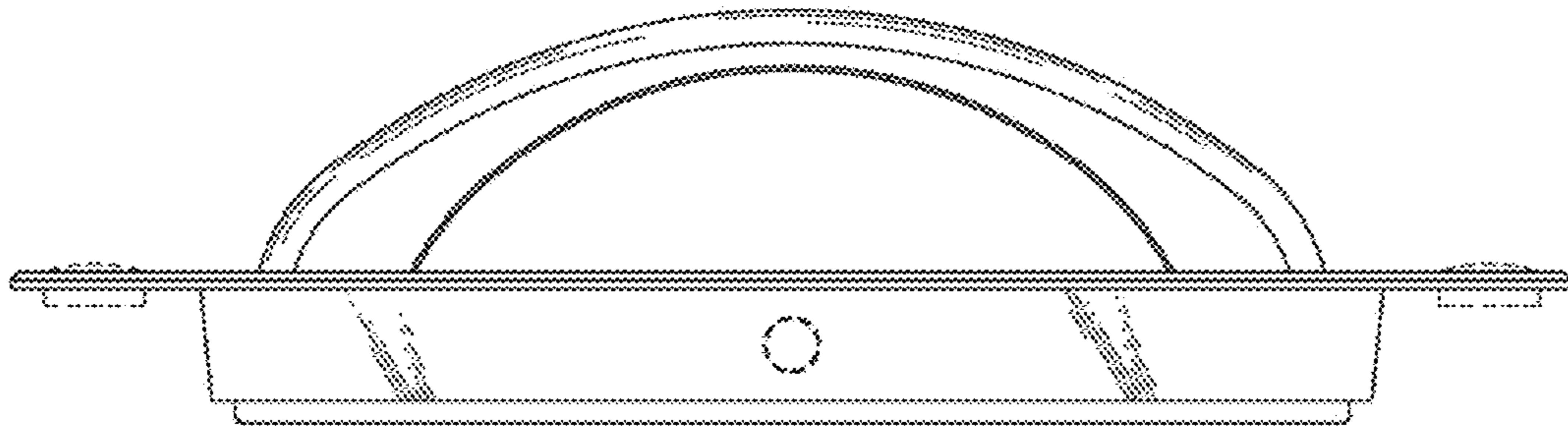
U.S. PATENT DOCUMENTS

8,015,669	B2 *	9/2011	Huang	.....	A45F 5/10
					16/405
8,474,098	B1	7/2013	Yang		
8,670,233	B2 *	3/2014	Huang	.....	G06F 1/1613
					361/679.59
D723,900	S *	3/2015	Bertani	.....	D8/306
2003/0029974	A1	2/2003	Marshall et al.		
2004/0107486	A1	6/2004	Yoo		
2007/0283527	A1 *	12/2007	Cheng	.....	G06F 1/18
					16/114.1
2016/0135649	A1	5/2016	Millerd		
2018/0084959	A1	3/2018	Hall et al.		

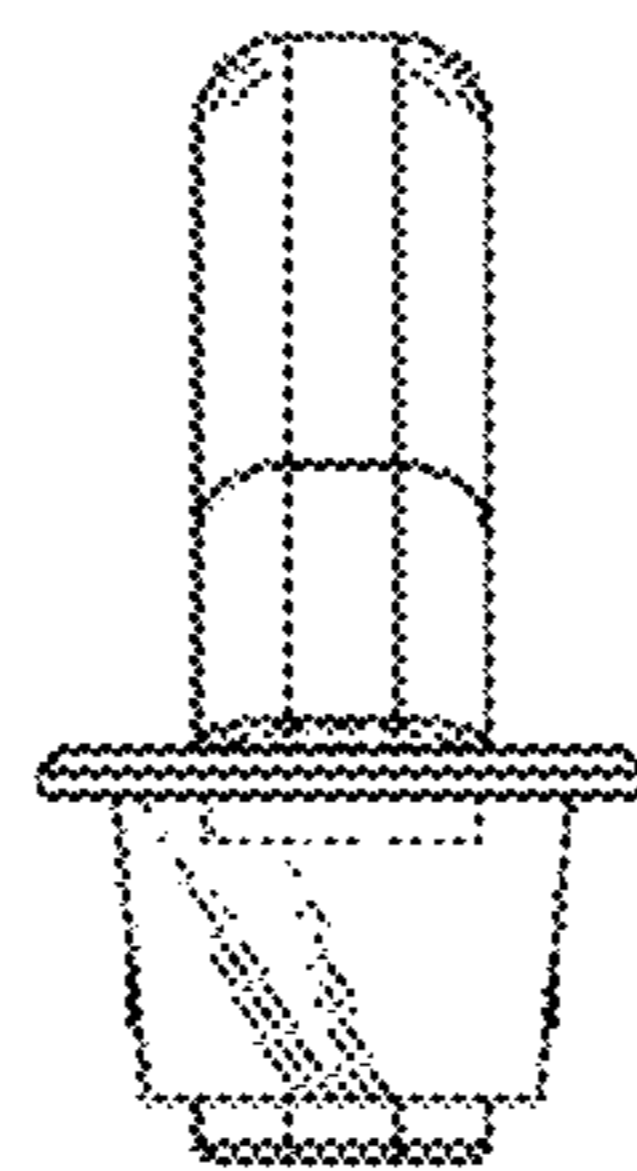
\* cited by examiner



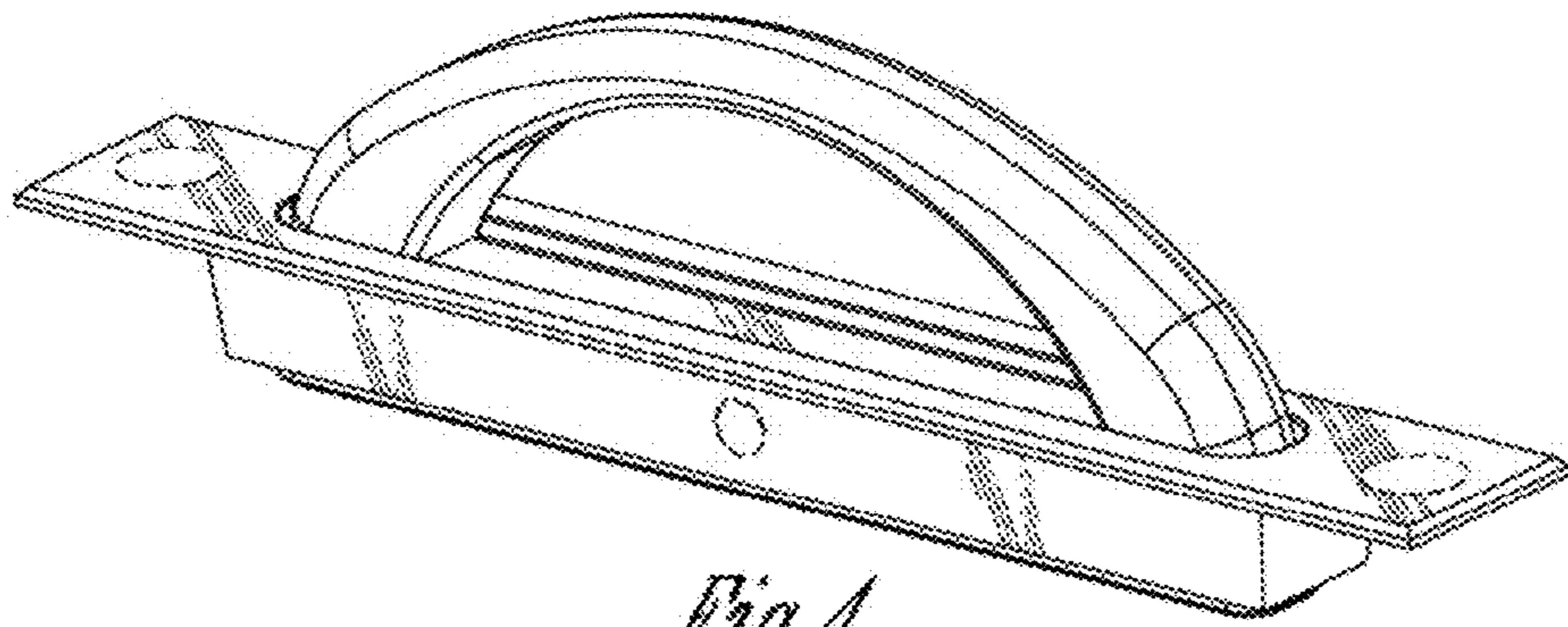
*Fig. 1*



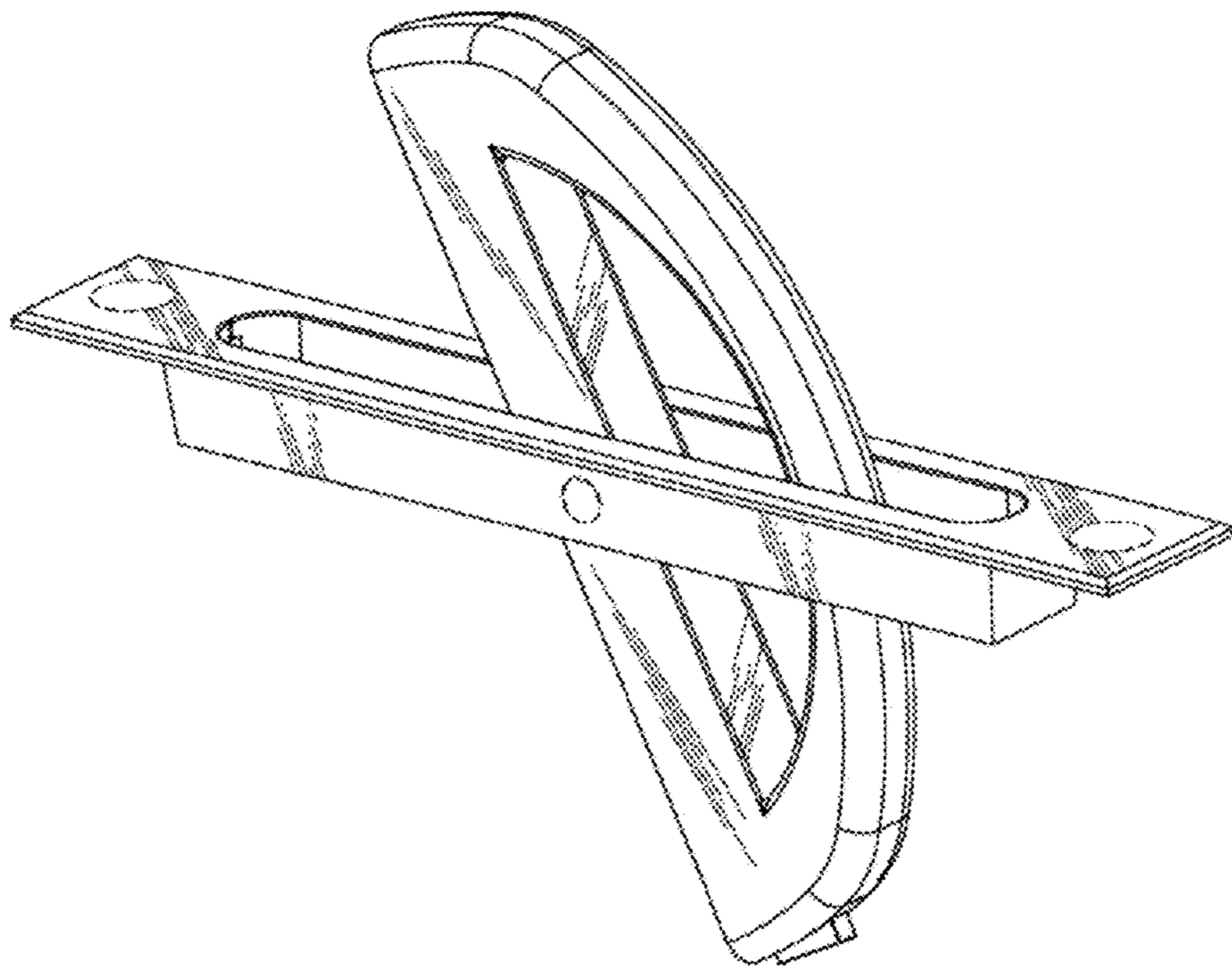
*Fig. 2*



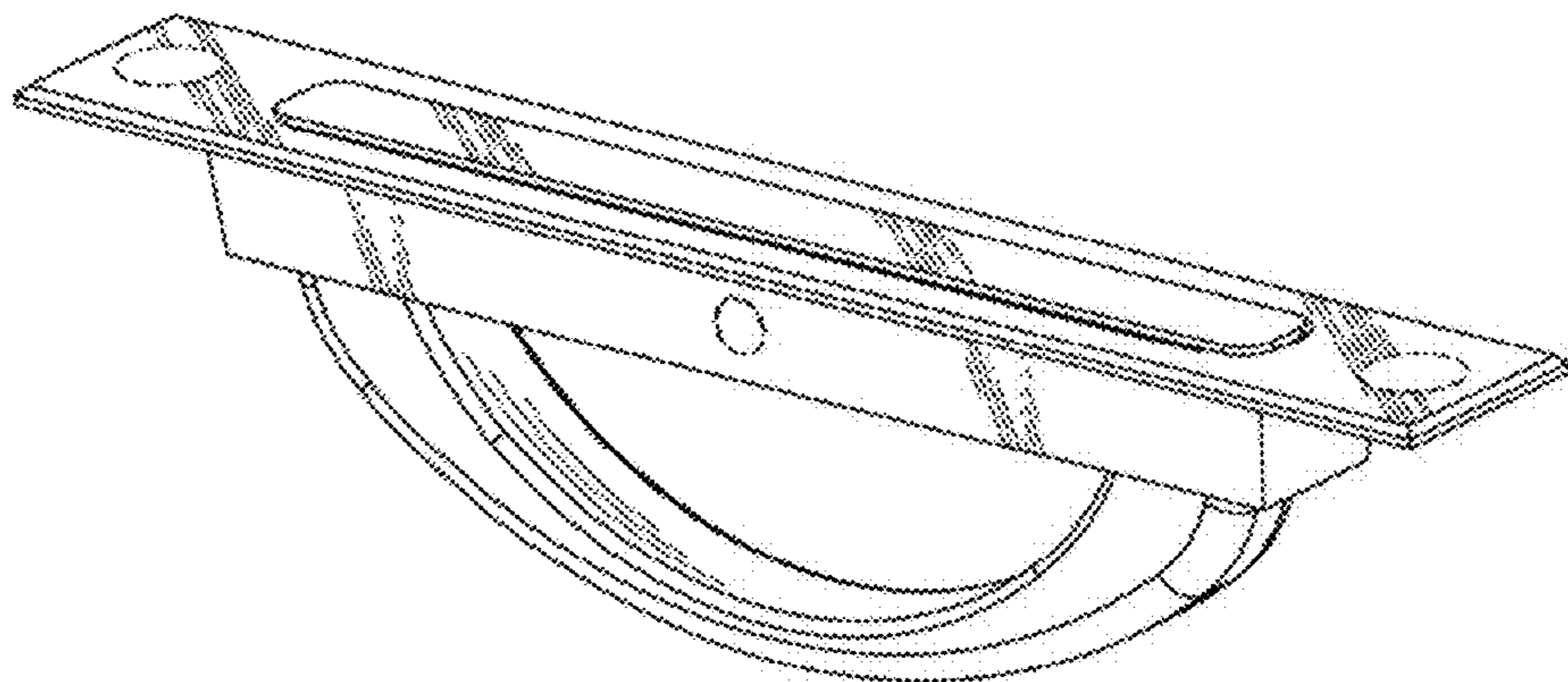
*Fig. 3*



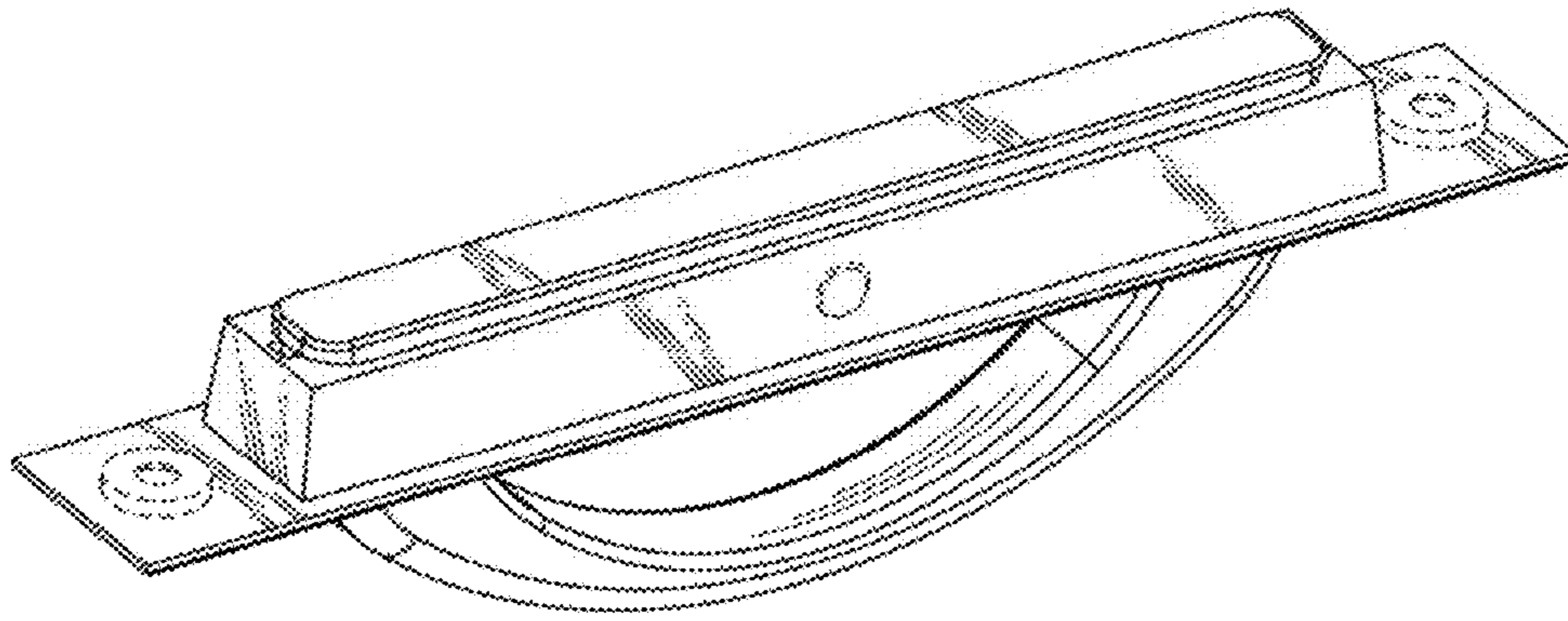
*Fig. 4*



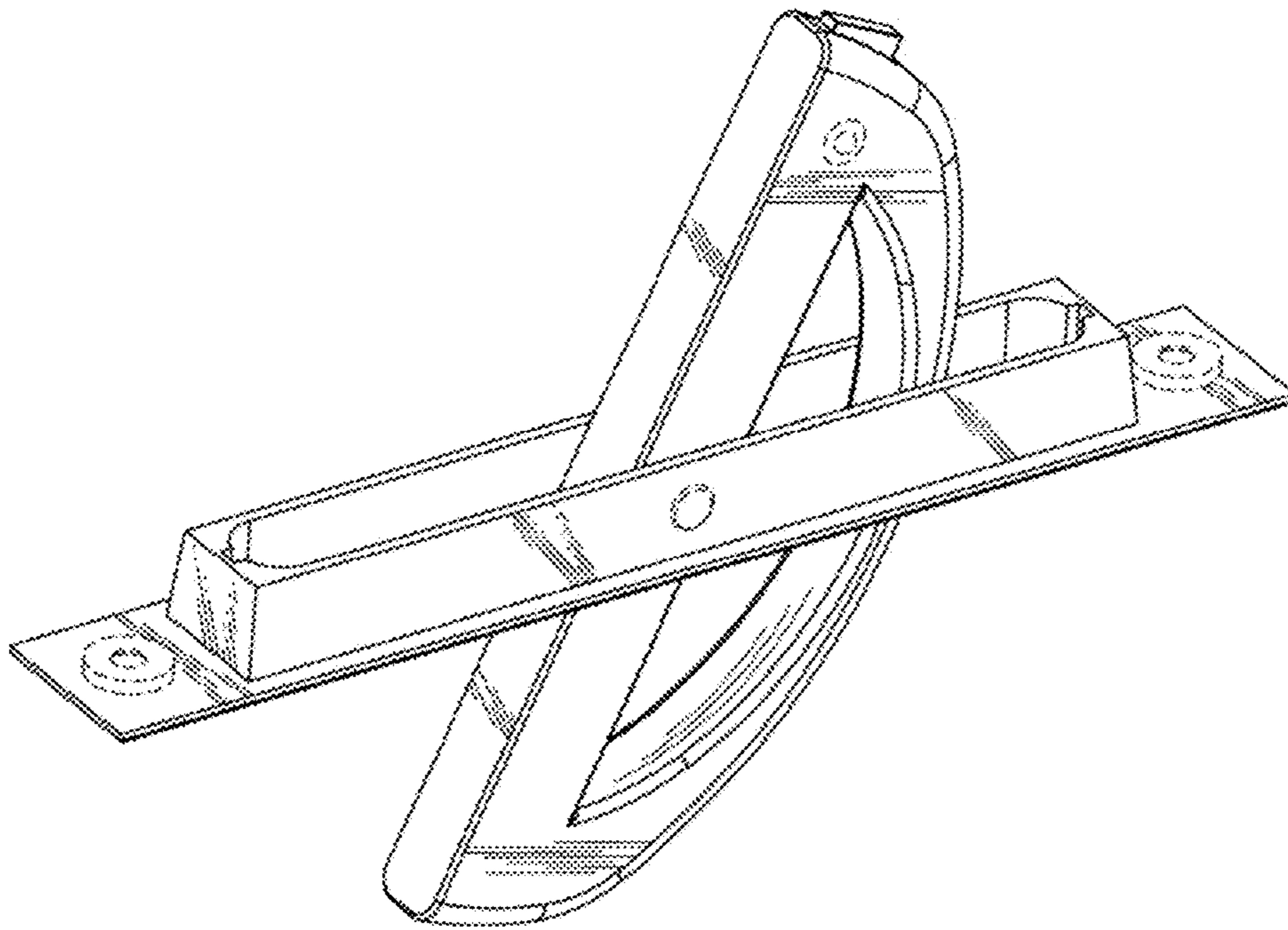
*Fig. 5*



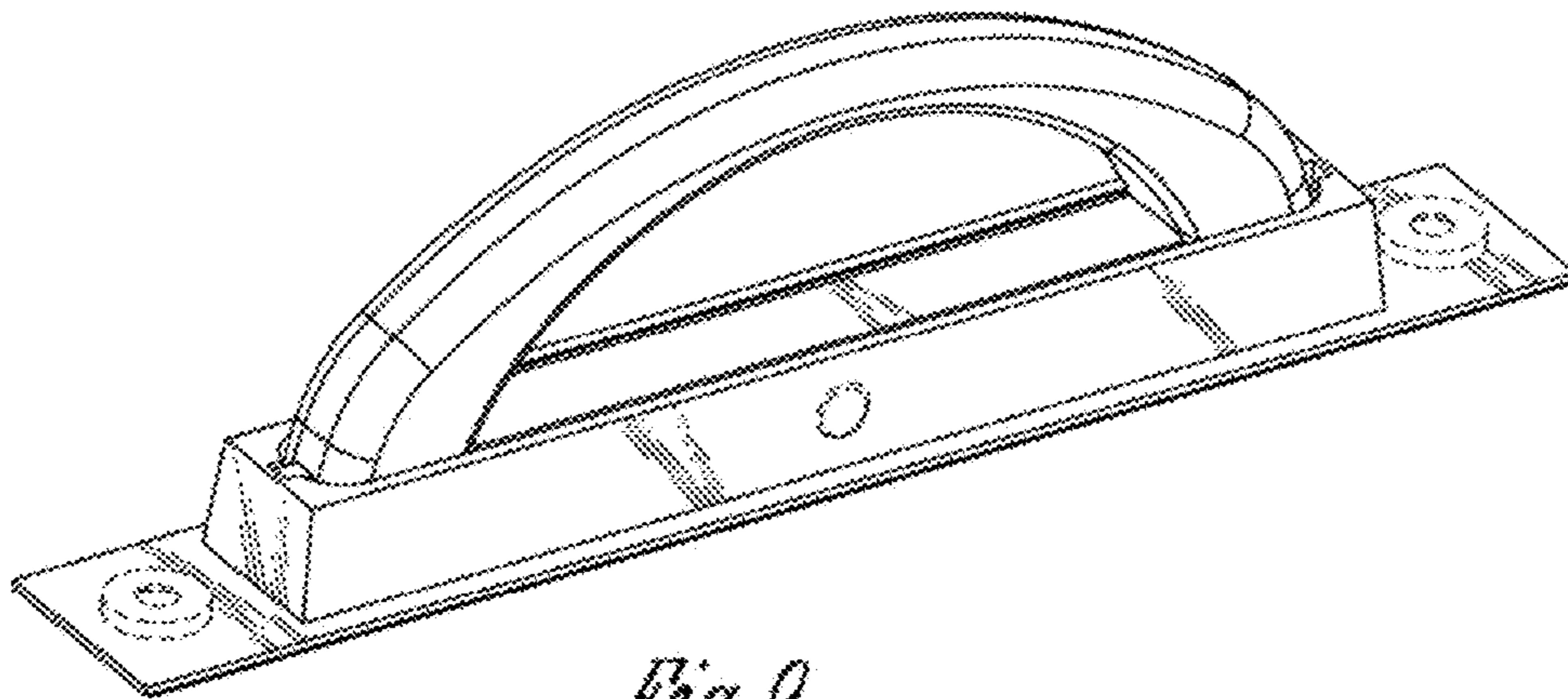
*Fig. 6*



*Fig. 7*



*Fig. 8*



*Fig. 9*