



US00D902703S

(12) **United States Design Patent**
Welsh

(10) **Patent No.:** **US D902,703 S**

(45) **Date of Patent:** **** Nov. 24, 2020**

(54) **TIE DOWN STRAP CLIP WITH LOCK PIN**

(71) Applicant: **Michael Welsh**, Brighton, CO (US)

(72) Inventor: **Michael Welsh**, Brighton, CO (US)

(**) Term: **15 Years**

(21) Appl. No.: **29/693,840**

(22) Filed: **Jun. 5, 2019**

(51) **LOC (12) Cl.** **09-05**

(52) **U.S. Cl.**
USPC **D8/367; D8/356**

(58) **Field of Classification Search**
USPC D8/360, 356, 354, 349, 367, 373;
D30/139; D11/218; 24/129 R; 254/390
See application file for complete search history.

(56) **References Cited**

U.S. PATENT DOCUMENTS

D196,291 S *	9/1963	McCarthy	D8/373
D543,837 S *	6/2007	Newbould	A47H 13/00
				D8/367
D765,413 S *	9/2016	Derr	D3/327
D767,977 S *	10/2016	Man	D8/367
D798,130 S *	9/2017	Chi	D8/367
D812,371 S *	3/2018	Horne	D3/221
D821,184 S *	6/2018	Berger	D8/367

(Continued)

Primary Examiner — Cynthia R Underwood

(74) *Attorney, Agent, or Firm* — Suiter Swantz pc llo

(57) **CLAIM**

The ornamental design for a tie down strap clip with lock pin, as shown and described.

DESCRIPTION

FIG. 1 is a front perspective view of a tie down strap clip with lock pin.

FIG. 2 is a top plan view of the tie down strap clip with lock pin.

FIG. 3 is a front elevational view of tie down strap clip with lock pin.

FIG. 4 is a right side elevational view of the tie down strap clip with lock pin.

FIG. 5 is a bottom plan view of the tie down strap clip with lock pin.

FIG. 6 is a left side elevational view of the tie down strap clip with lock pin.

FIG. 7 is a rear elevational view of the tie down strap clip with lock pin.

FIG. 8 is a back perspective view of the tie down strap clip with lock pin.

FIG. 9 is a front perspective view of the tie down strap clip with lock pin when the lock pin is in an open position.

FIG. 10 is a front perspective view of the tie down strap clip with lock pin when the lock pin is removed and in an open position.

FIG. 11 is a front perspective view of the tie down strap clip with lock pin of FIG. 1 attached to a tie down strap;

FIG. 12 is a top plan view of the tie down strap clip with lock pin attached to a tie down strap.

FIG. 13 is a front elevational view of the tie down strap clip with lock pin attached to a tie down strap.

FIG. 14 is a right side elevational view of the tie down strap clip with lock pin attached to a tie down strap.

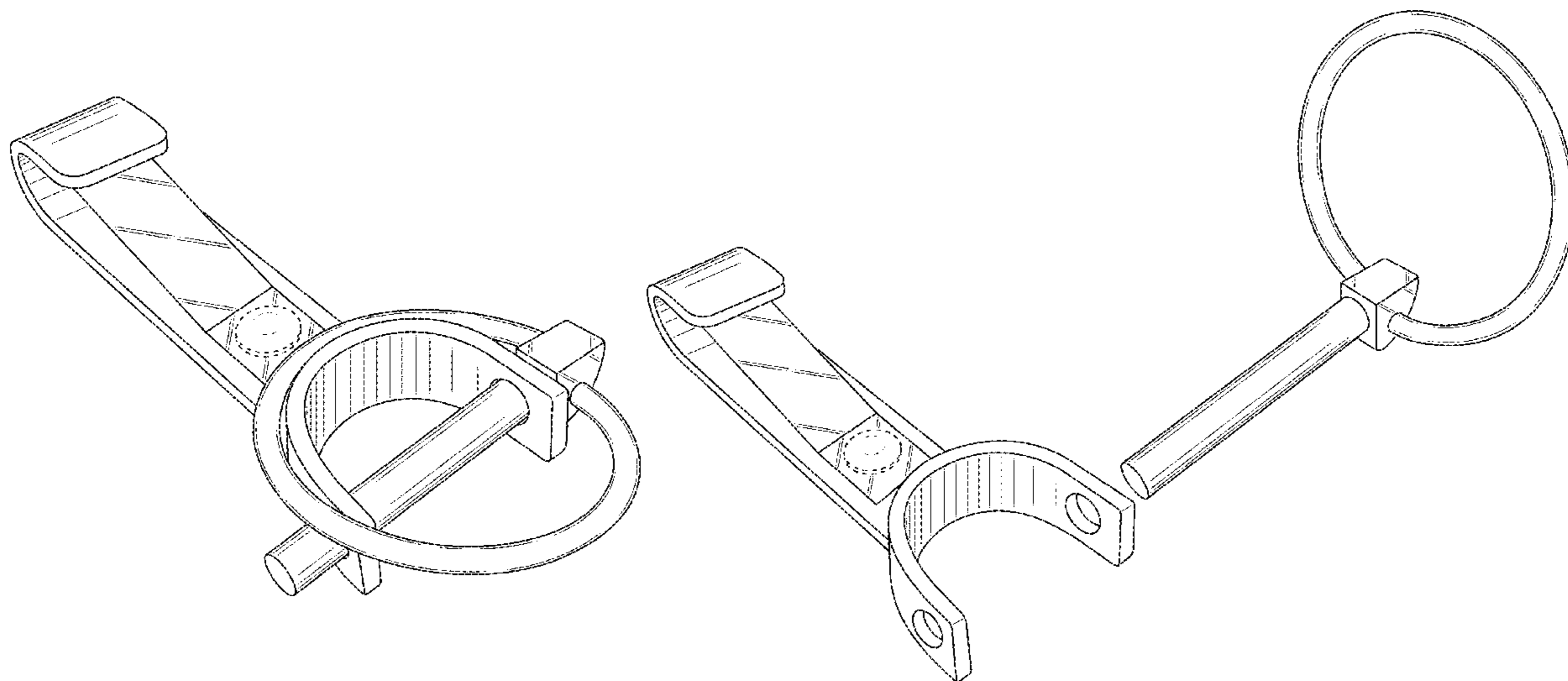
FIG. 15 is a left side elevational view of the tie down strap clip with lock pin attached to a tie down strap.

FIG. 16 is a top plan view of the tie down strap clip with lock pin secured to a ring; and,

FIG. 17 is a top plan view of the tie down strap clip with lock pin utilized to secure an object.

The broken lines shown in the figures represent portions of the tie down strap clip with lock pin, a tie down assembly, and an object secured by the tie down strap clip with lock pin and the tie down assembly that form no part of the claimed design.

1 Claim, 17 Drawing Sheets



(56)

References Cited

U.S. PATENT DOCUMENTS

D842,083	S	*	3/2019	Thompson	D8/367
D845,653	S	*	4/2019	Wu	D6/320
D854,916	S	*	7/2019	Derr	D8/356
D865,494	S	*	11/2019	Adelman	D8/367
D885,870	S	*	6/2020	Reilly	D8/356
D885,873	S	*	6/2020	Deng	D8/367

* cited by examiner

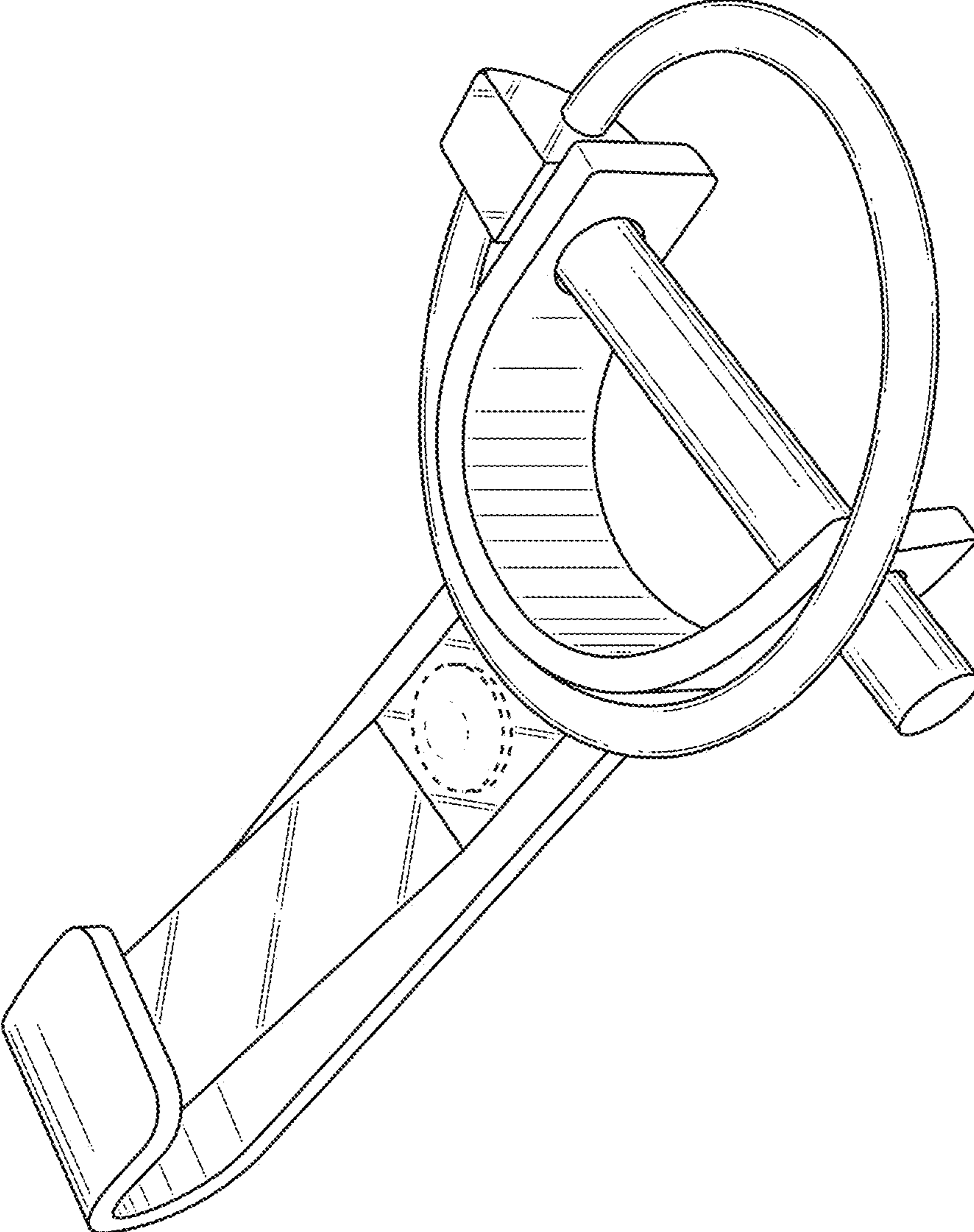


FIG. 1

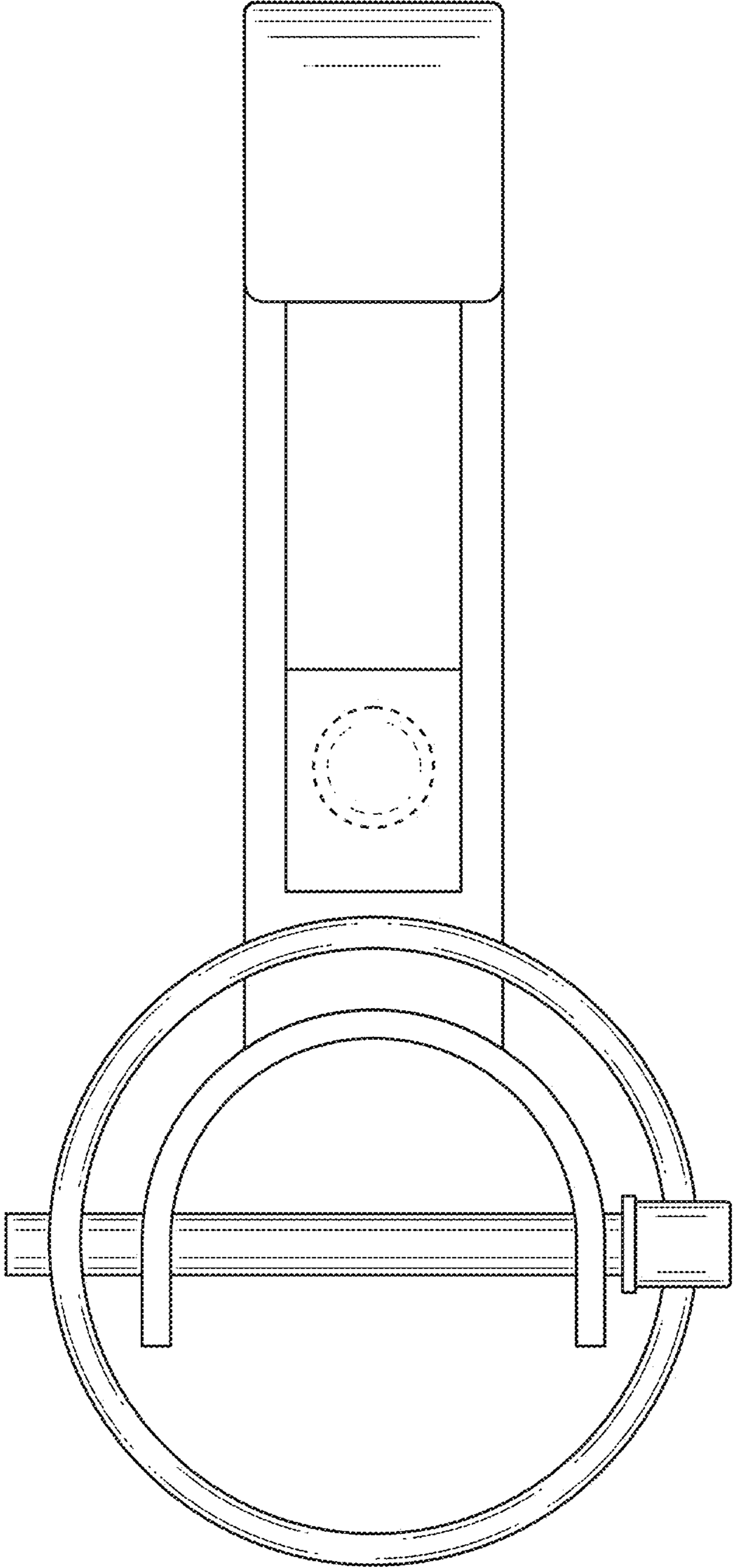


FIG. 2

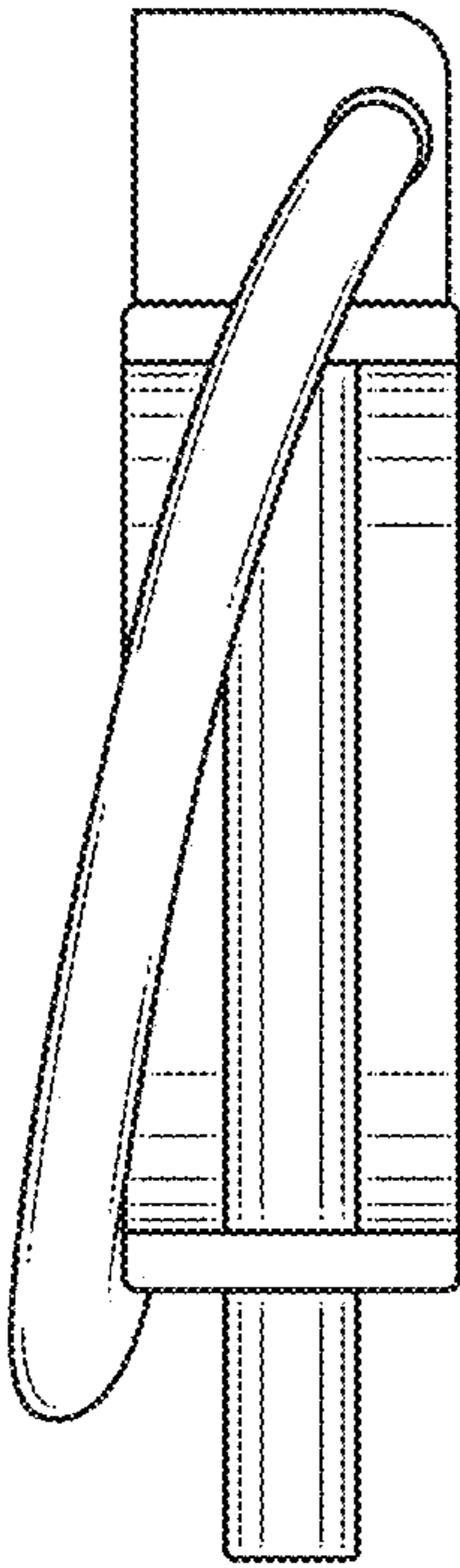


FIG. 3

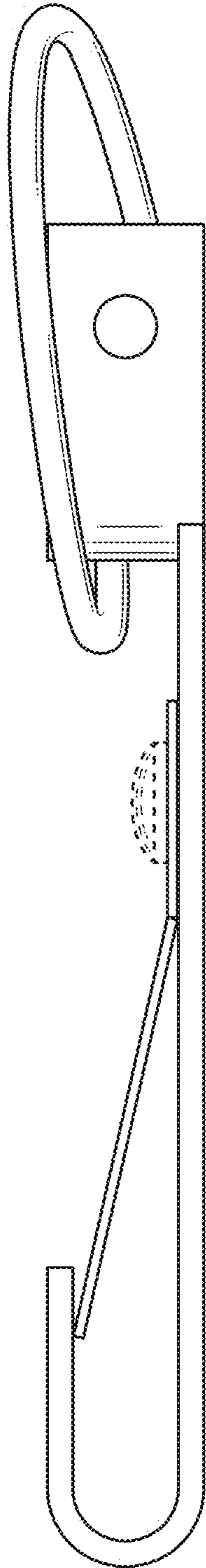


FIG.4

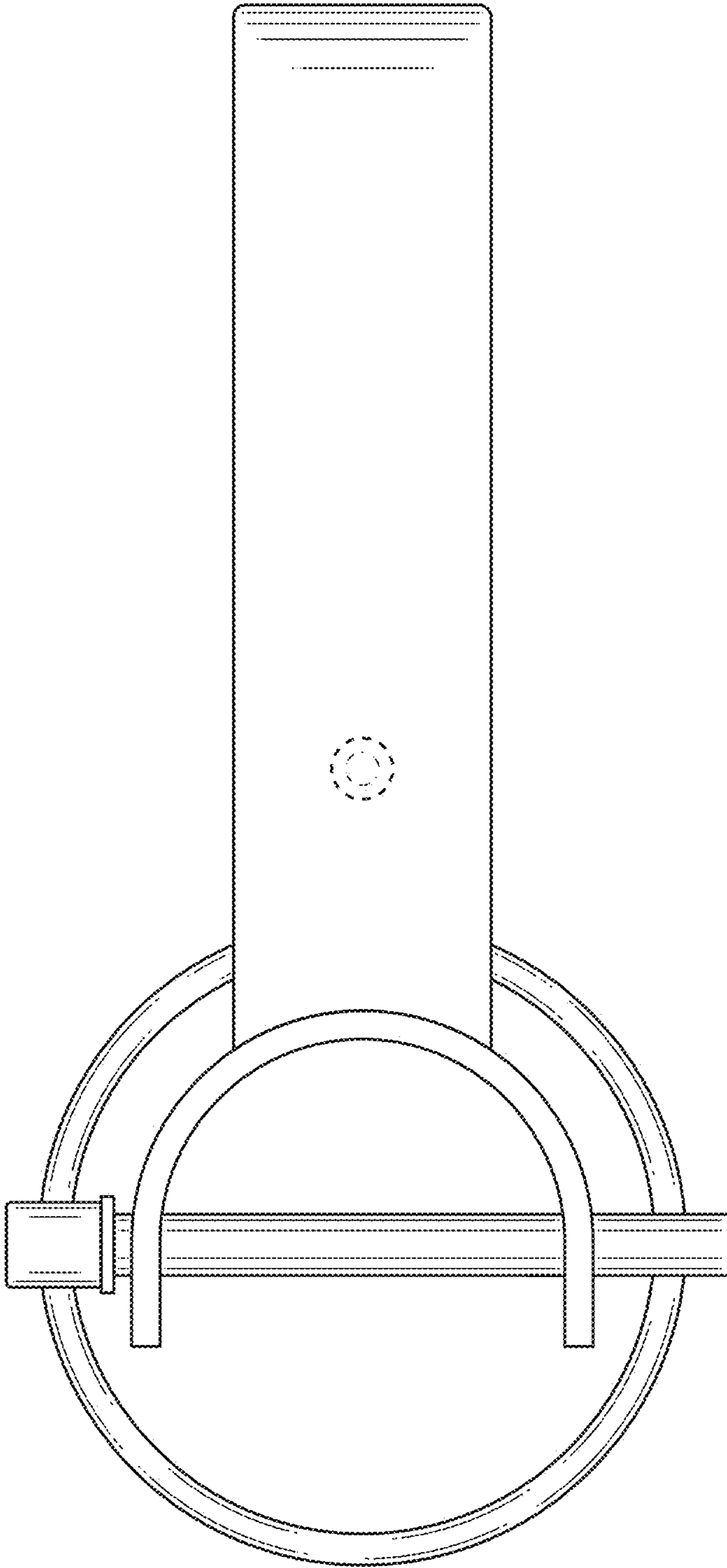


FIG. 5

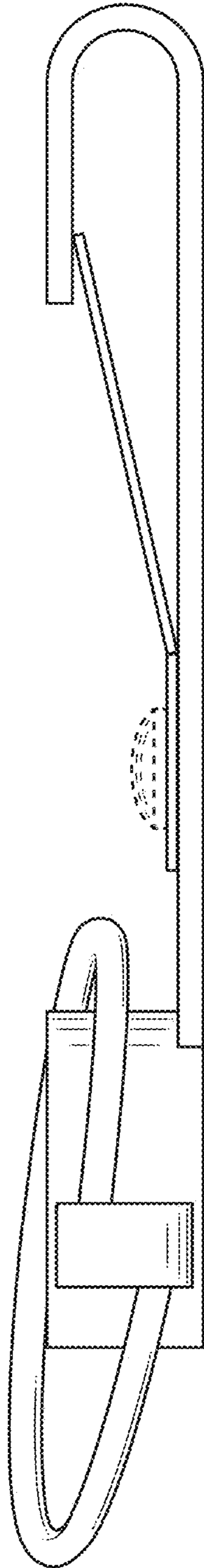


FIG.6

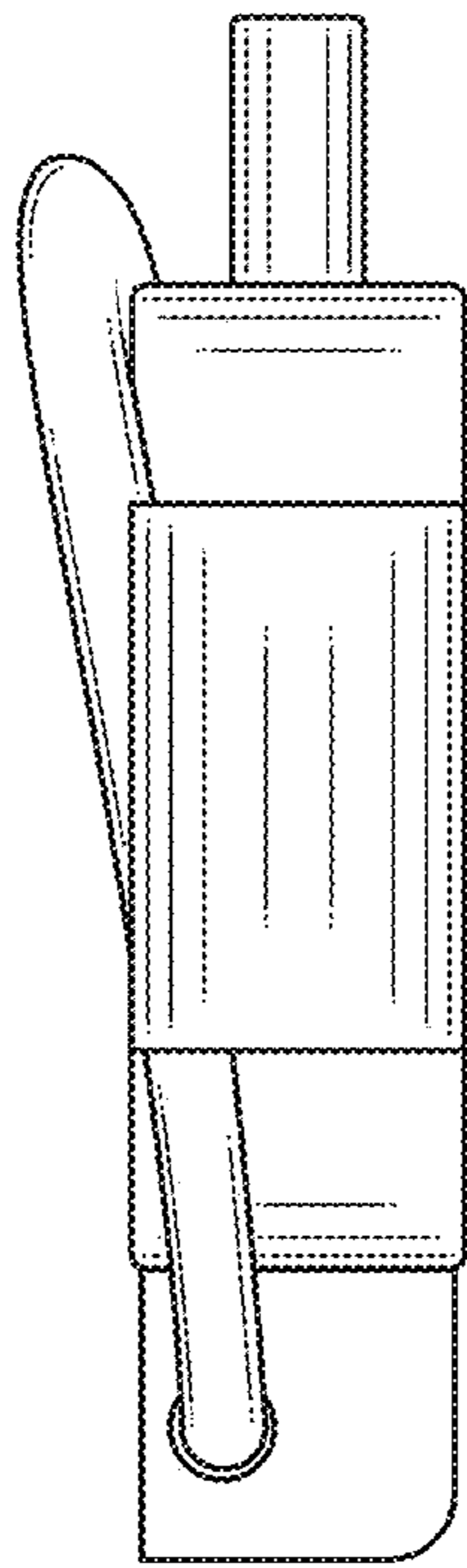


FIG.7

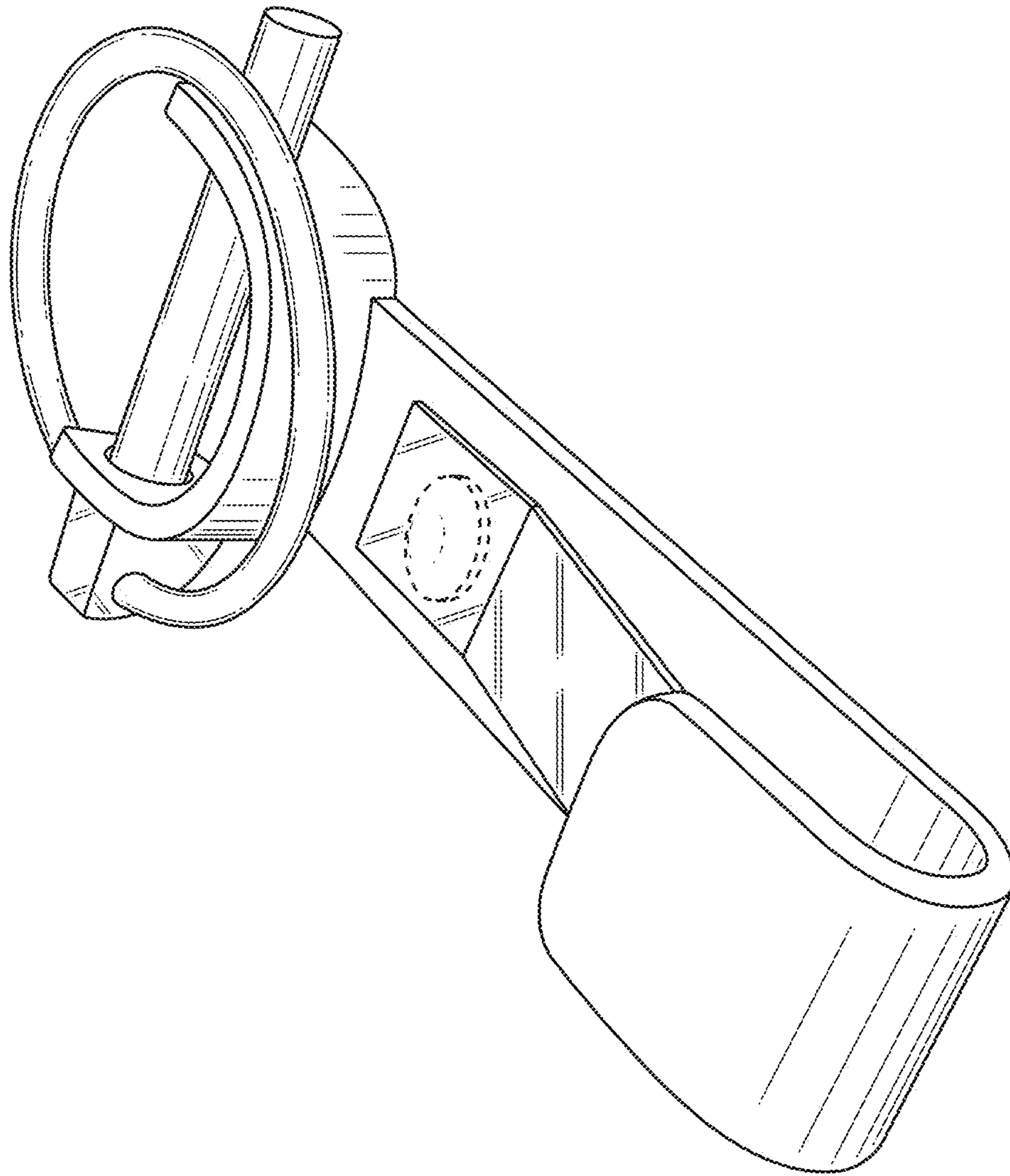


FIG. 8

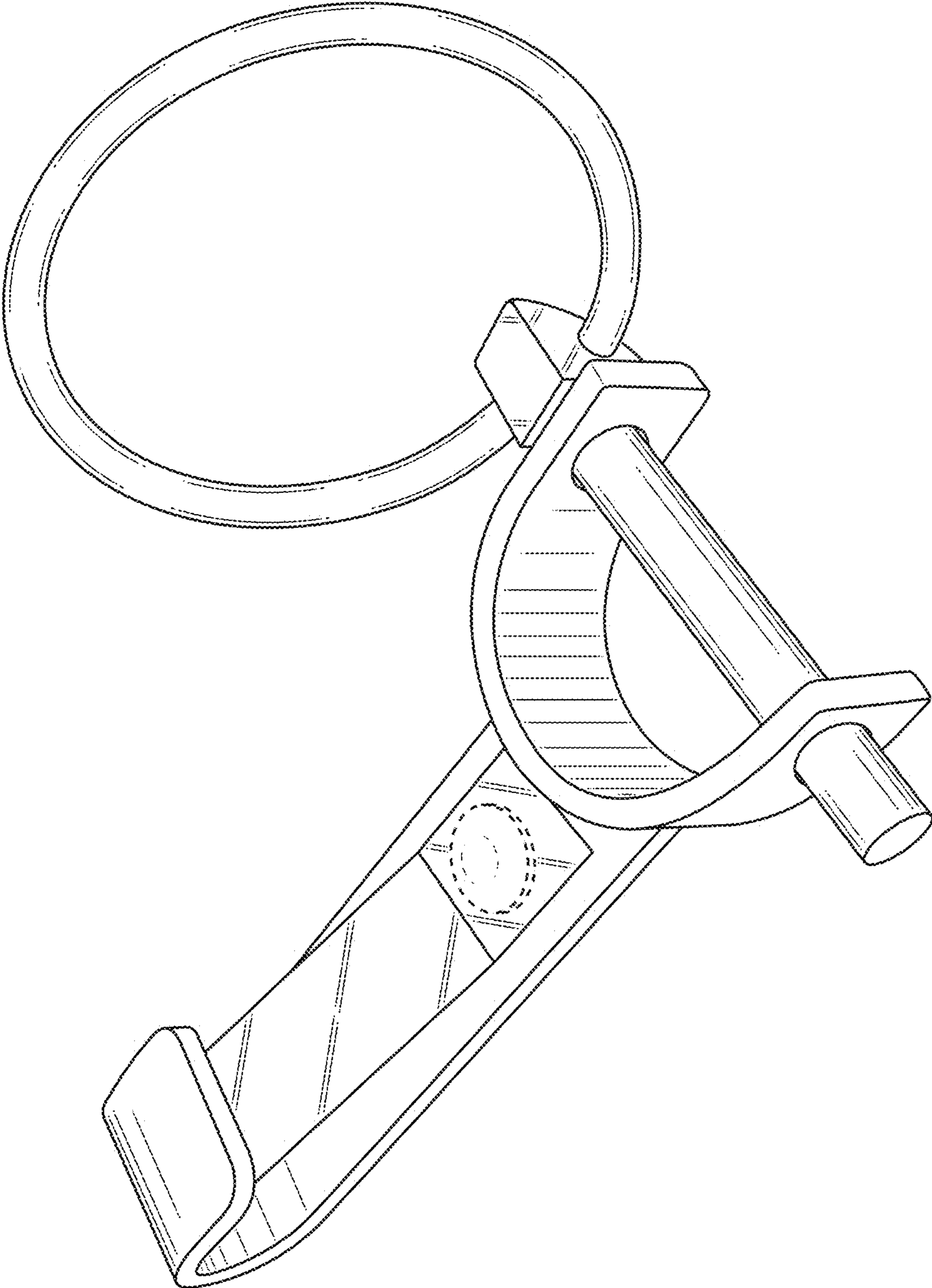


FIG. 9

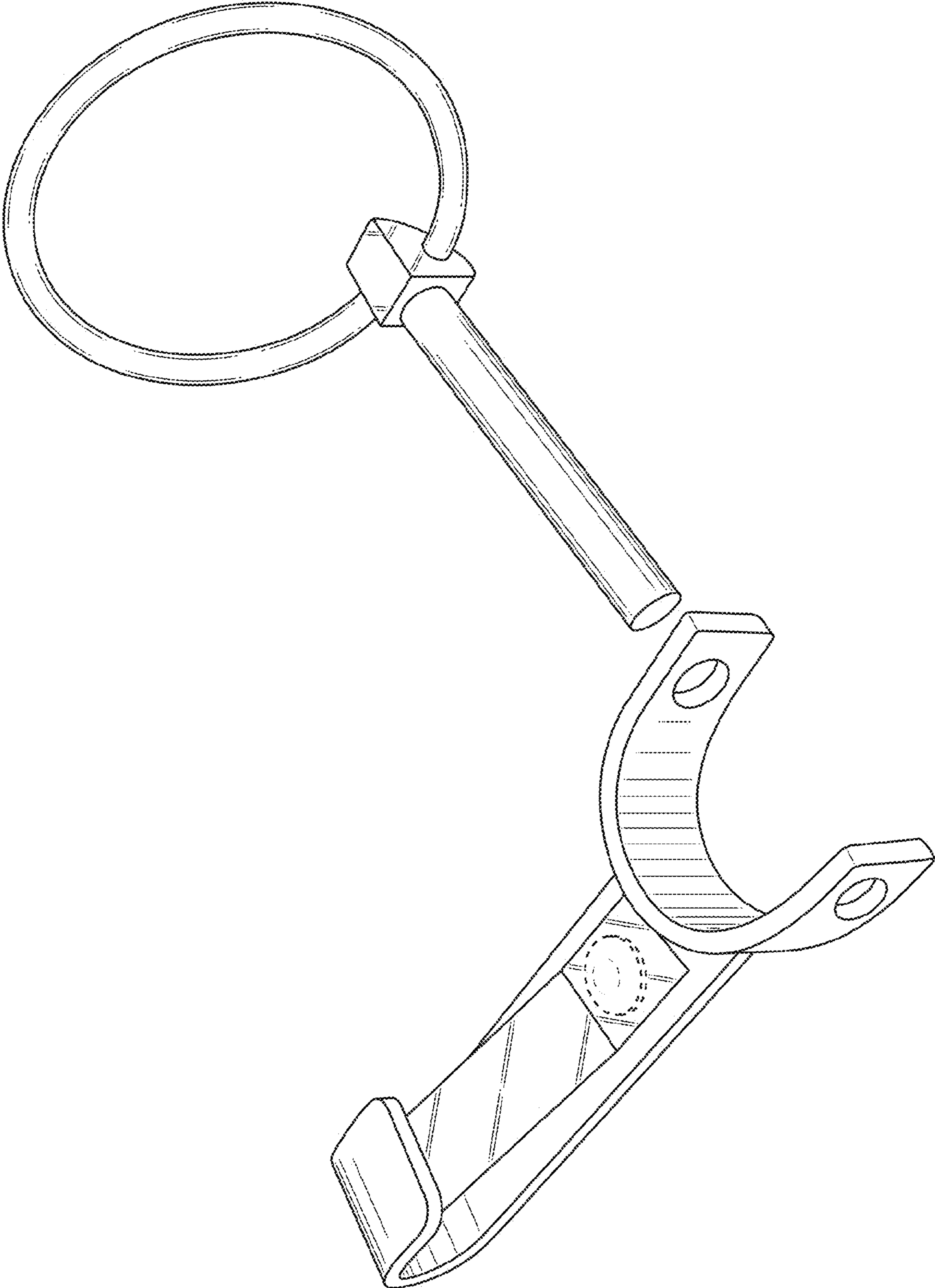


FIG. 10

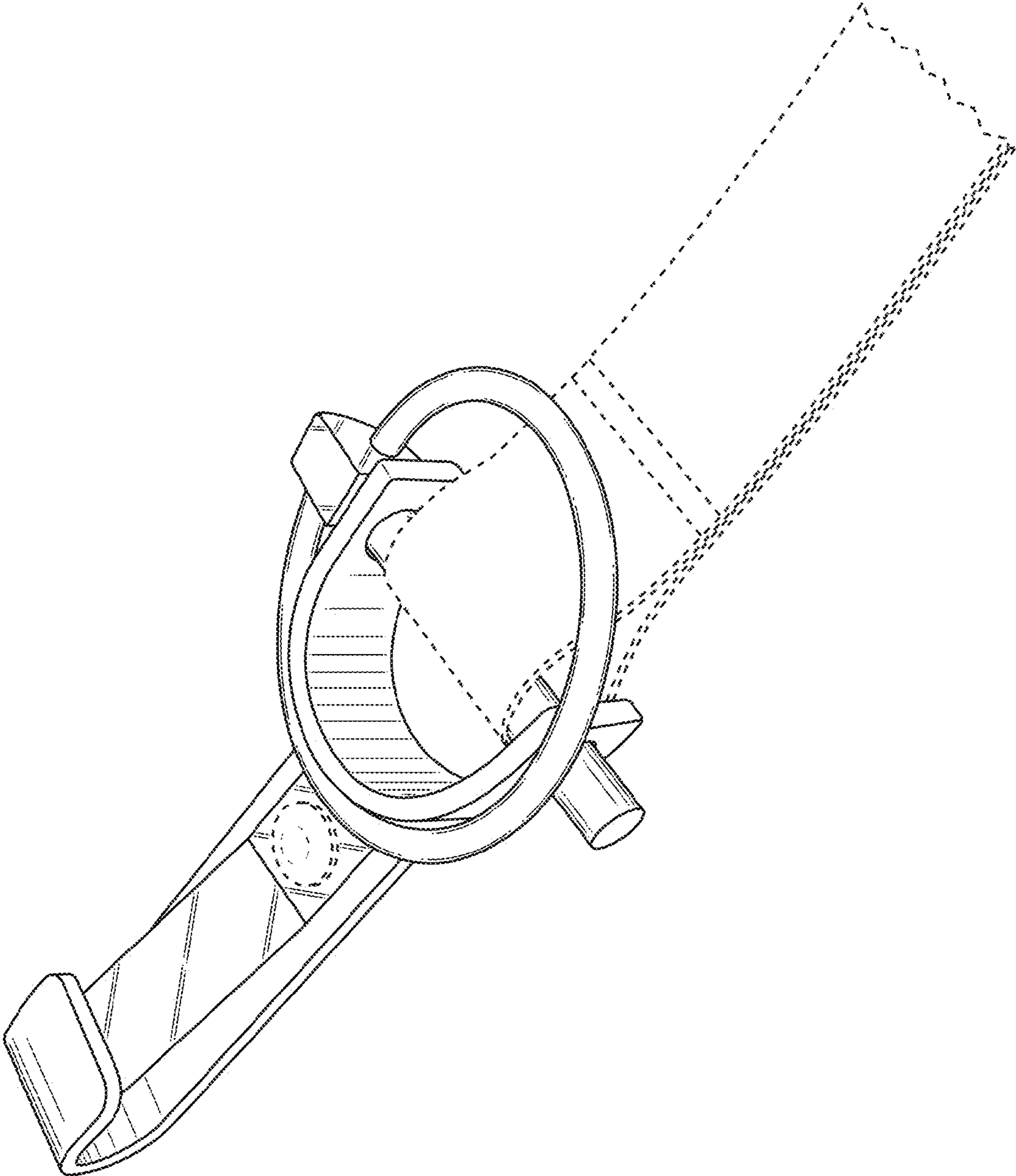


FIG.11

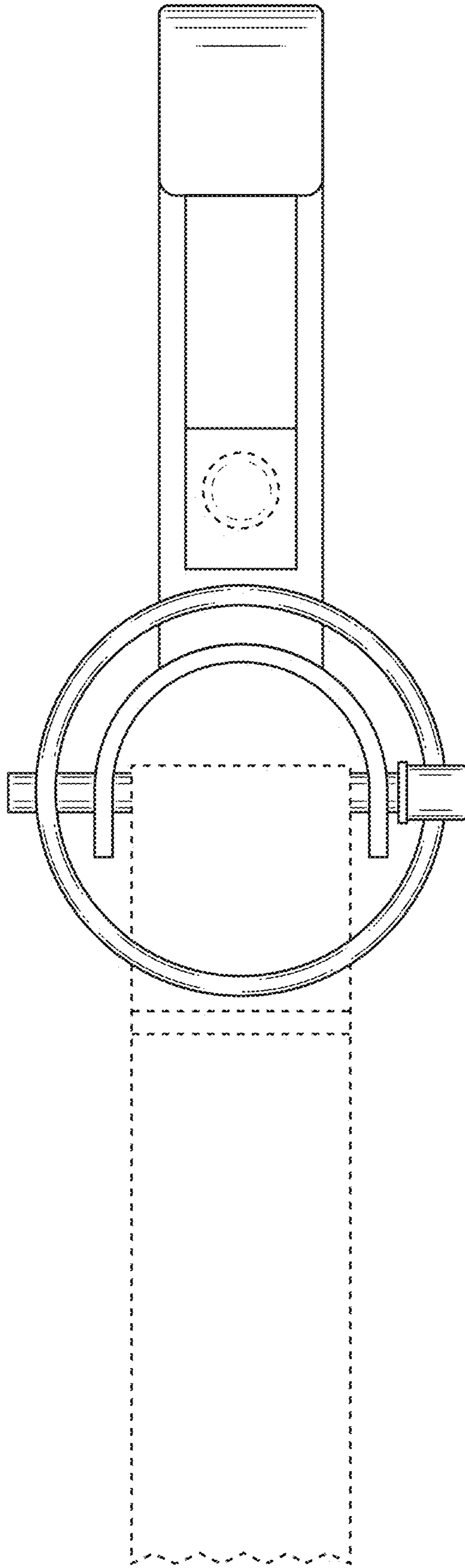


FIG. 12

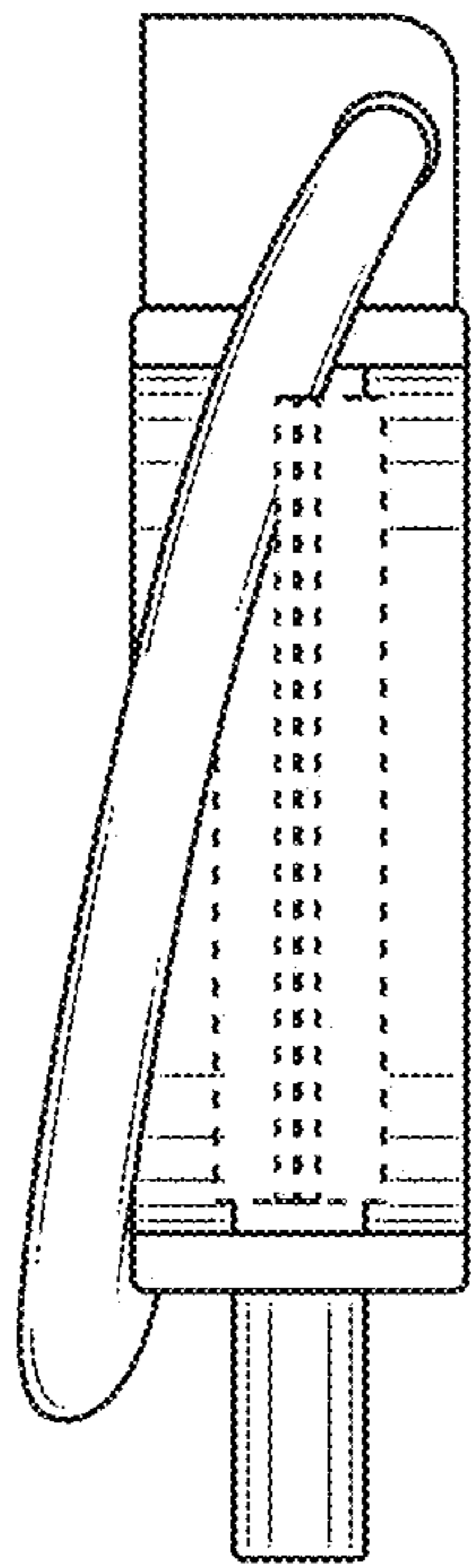


FIG.13

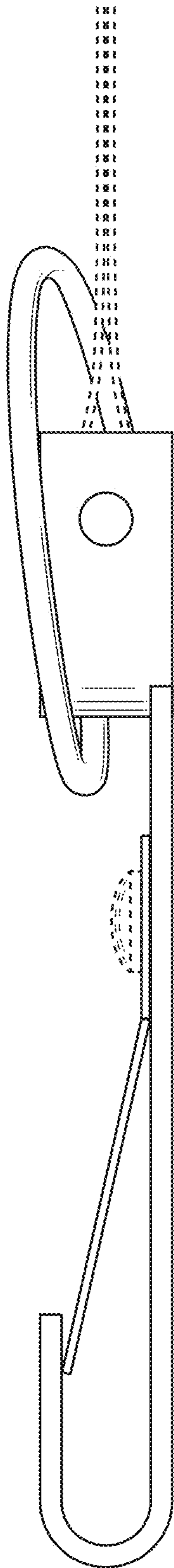


FIG.14

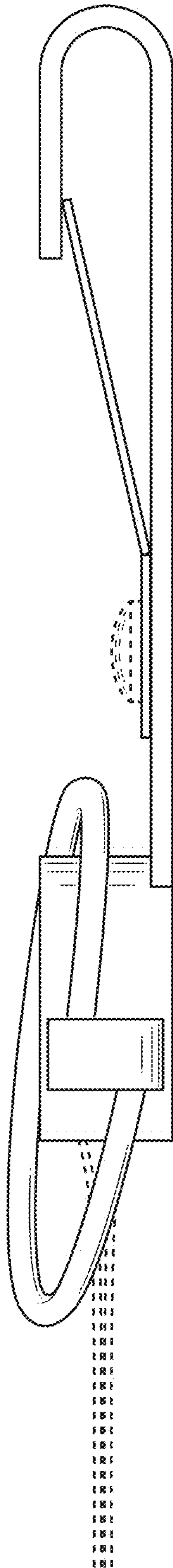


FIG.15

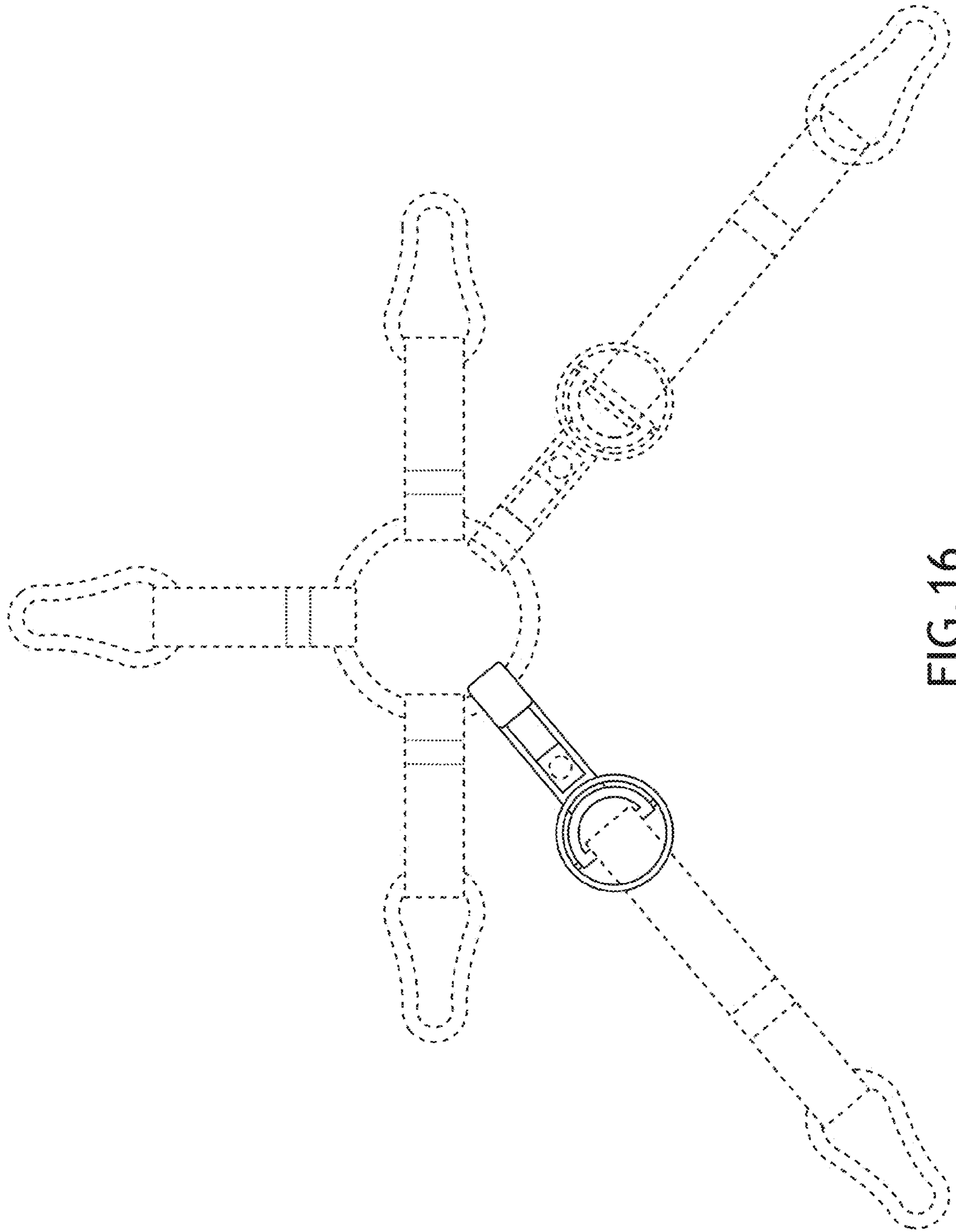


FIG. 16

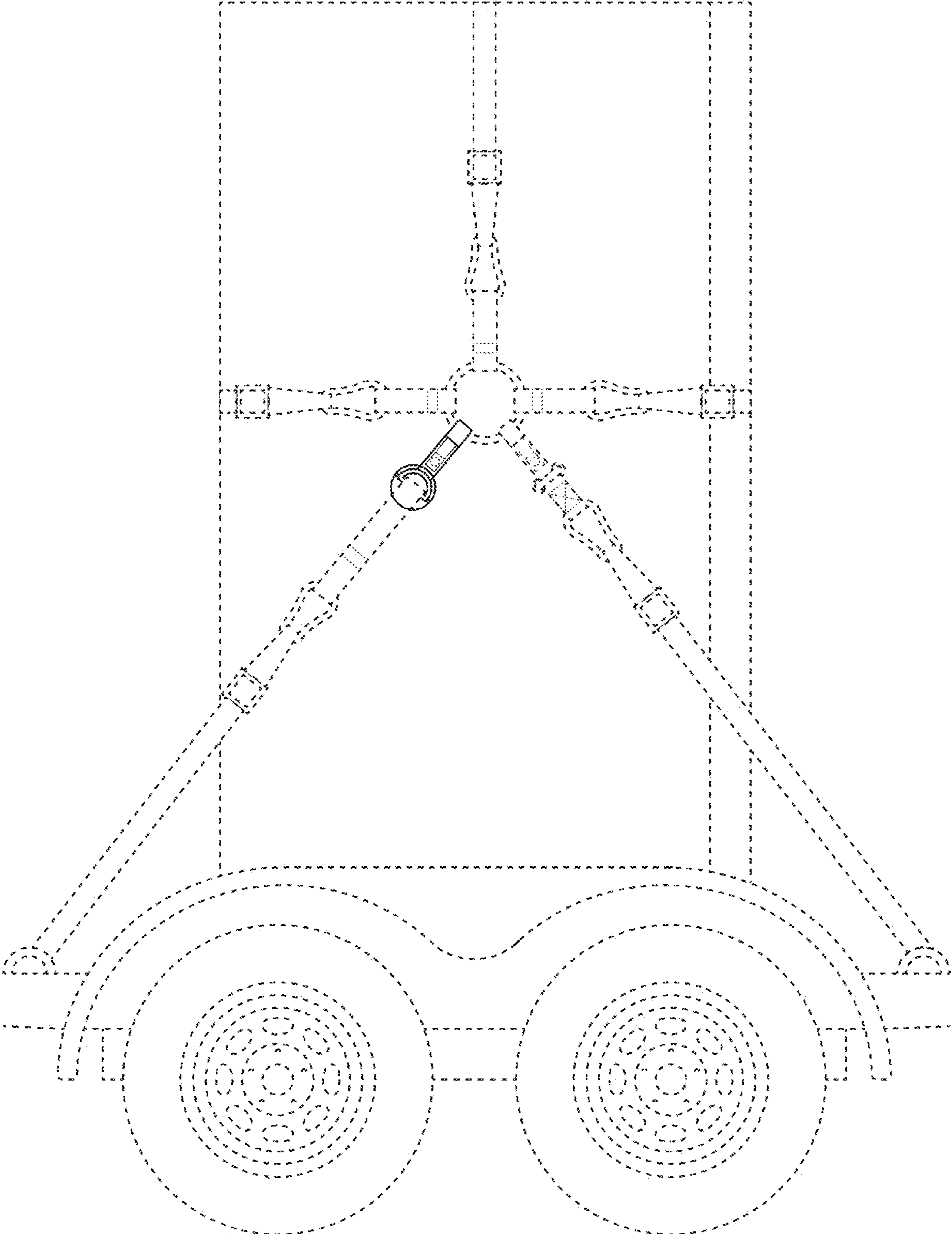


FIG. 17