



US00D902702S

(12) **United States Design Patent** (10) **Patent No.:** **US D902,702 S**
Smith (45) **Date of Patent:** **** Nov. 24, 2020**

(54) **GAS SPRING MOUNTING BRACKET**

2014/0312167 A1* 10/2014 Rupp B64D 41/007
244/54

(71) Applicant: **Firestone Industrial Products Company, LLC, Nashville, TN (US)**

* cited by examiner

(72) Inventor: **Scott A. Smith, Brownsburg, IN (US)**

Primary Examiner — Michael A. Pratt

(73) Assignee: **Firestone Industrial Products Company, LLC, Nashville, TN (US)**

(57) **CLAIM**

The ornamental design for gas spring mounting bracket, as shown and described.

(**) Term: **15 Years**

DESCRIPTION

(21) Appl. No.: **29/697,522**

(22) Filed: **Jul. 9, 2019**

(51) **LOC (12) Cl.** **08-03**

(52) **U.S. Cl.**
USPC **D8/366**

(58) **Field of Classification Search**
USPC D12/159–160; D8/349, 353, 366, 371, D8/373
CPC F16F 2230/0005; F16F 2230/32; F16F 2230/36; F16F 9/54; B60G 11/28; B60G 15/14; B60G 2206/40
See application file for complete search history.

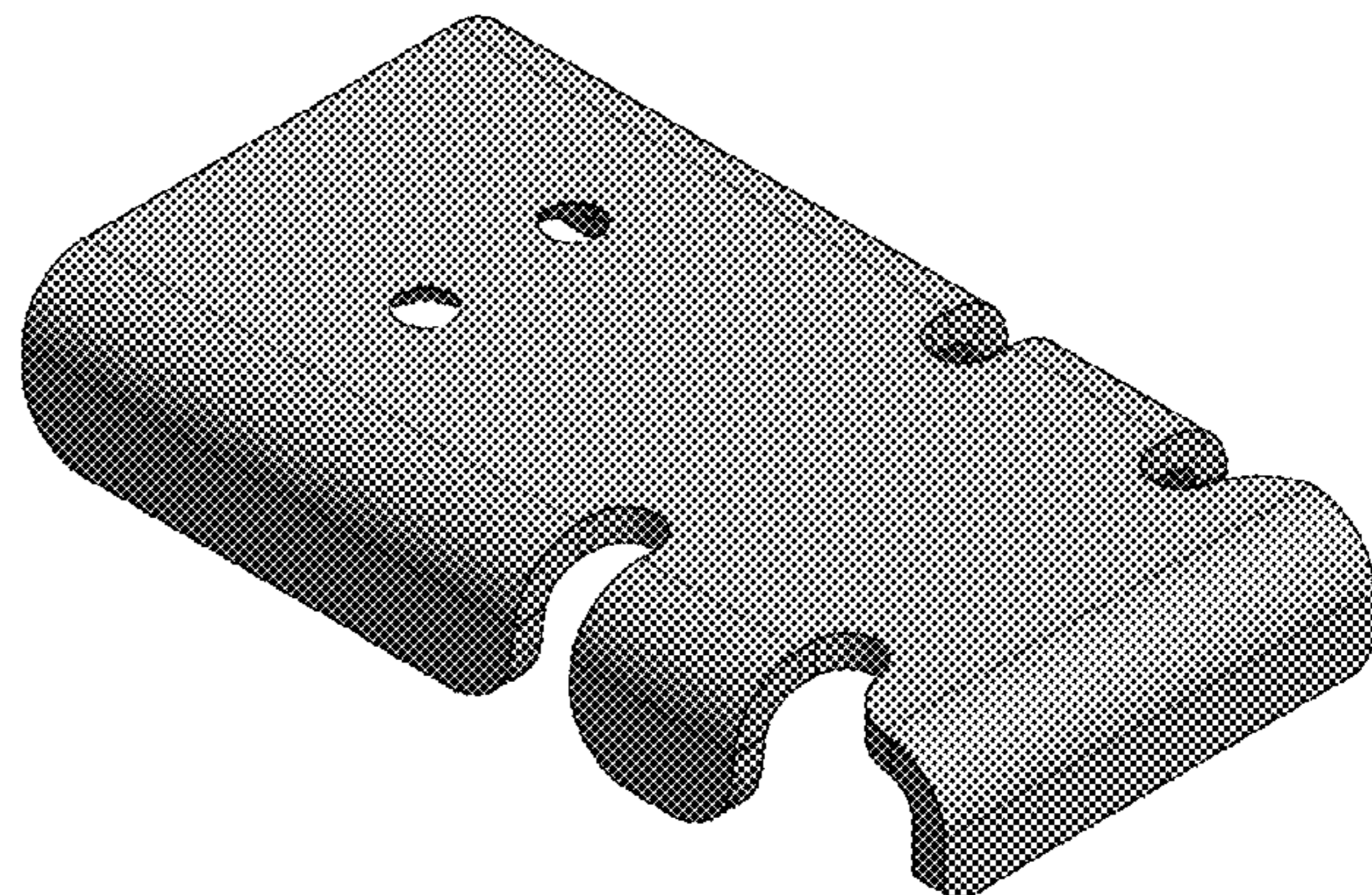
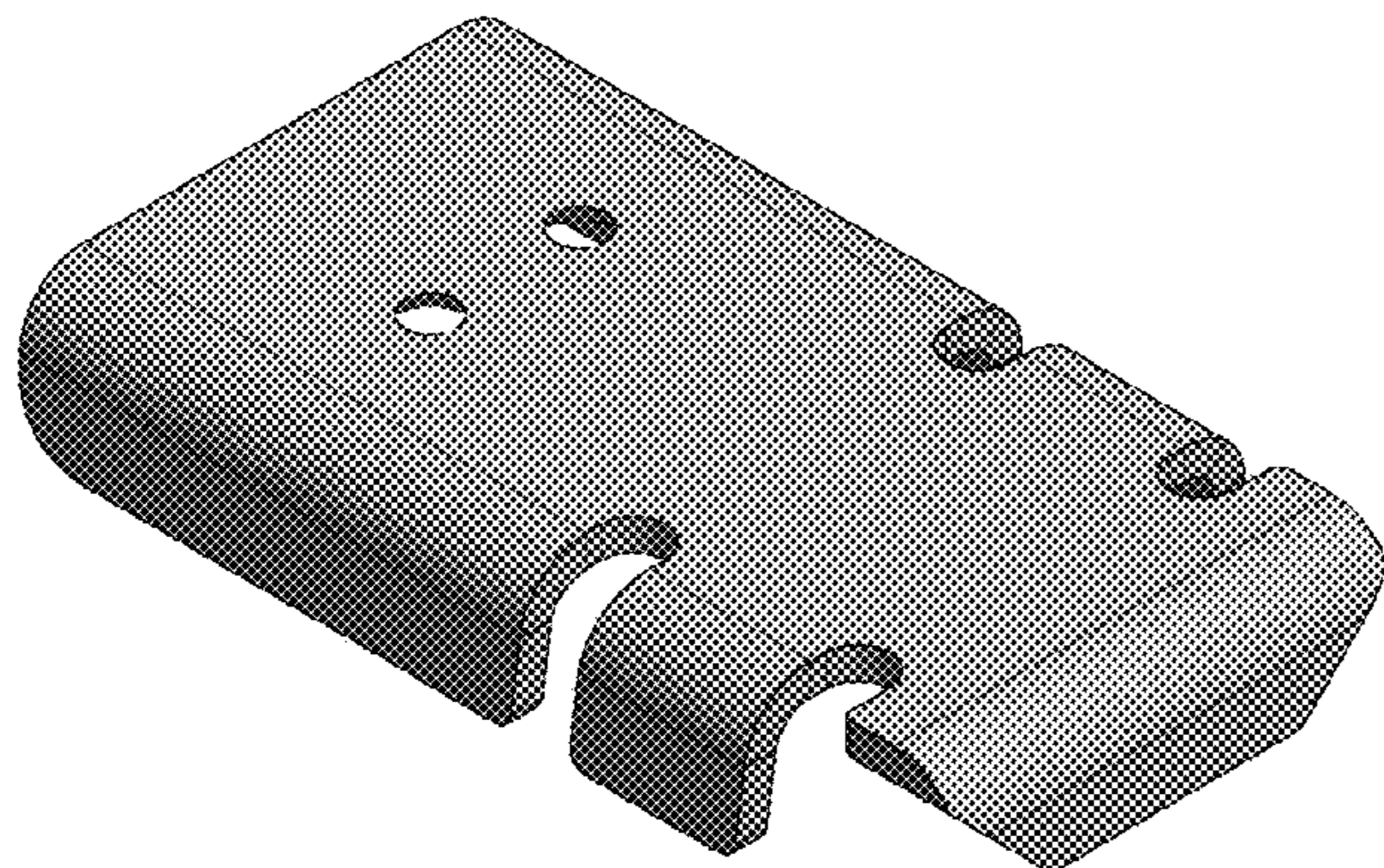
FIG. 1 is a top perspective view of a gas spring mounting bracket illustrating a first embodiment of my new design; FIG. 2 is a bottom perspective view thereof; FIG. 3 is a front elevation view thereof; FIG. 4 is a rear elevation view thereof; FIG. 5 is a top plan view thereof; FIG. 6 is a bottom plan view thereof; FIG. 7 is a left side elevation view thereof; FIG. 8 is a right side elevation view thereof; FIG. 9 is a top perspective view of a gas spring mounting bracket illustrating a second embodiment of my new design; FIG. 10 is a bottom perspective view thereof; FIG. 11 is a front elevation view thereof; FIG. 12 is a rear elevation view thereof; FIG. 13 is a top plan view thereof; FIG. 14 is a bottom plan view thereof; FIG. 15 is a left side elevation view thereof; FIG. 16 is a right side elevation view thereof; FIG. 17 is a top perspective view of a gas spring mounting bracket illustrating a third embodiment of my new design; FIG. 18 is a bottom perspective view thereof; FIG. 19 is a front elevation view thereof; FIG. 20 is a rear elevation view thereof; FIG. 21 is a top plan view thereof; FIG. 22 is a bottom plan view thereof; FIG. 23 is a left side elevation view thereof; and, FIG. 24 is a right side elevation view thereof. The broken lines are for illustrative purposes only and form no part of the claimed design.

(56) **References Cited**

U.S. PATENT DOCUMENTS

- 1,431,662 A * 10/1922 Horning B60T 17/046
248/300
- D445,019 S * 7/2001 Vitetta D8/349
- 8,186,657 B2 * 5/2012 Leonard F16F 9/057
267/122
- 8,950,765 B2 * 2/2015 Munchel B60G 11/28
280/124.157
- 8,979,077 B2 * 3/2015 Street B62D 65/12
267/64.27
- 9,120,363 B2 * 9/2015 Leonard B60G 11/27
- 9,649,906 B2 * 5/2017 Myers B60G 17/0528
- D829,537 S * 10/2018 Smith D8/366

1 Claim, 24 Drawing Sheets



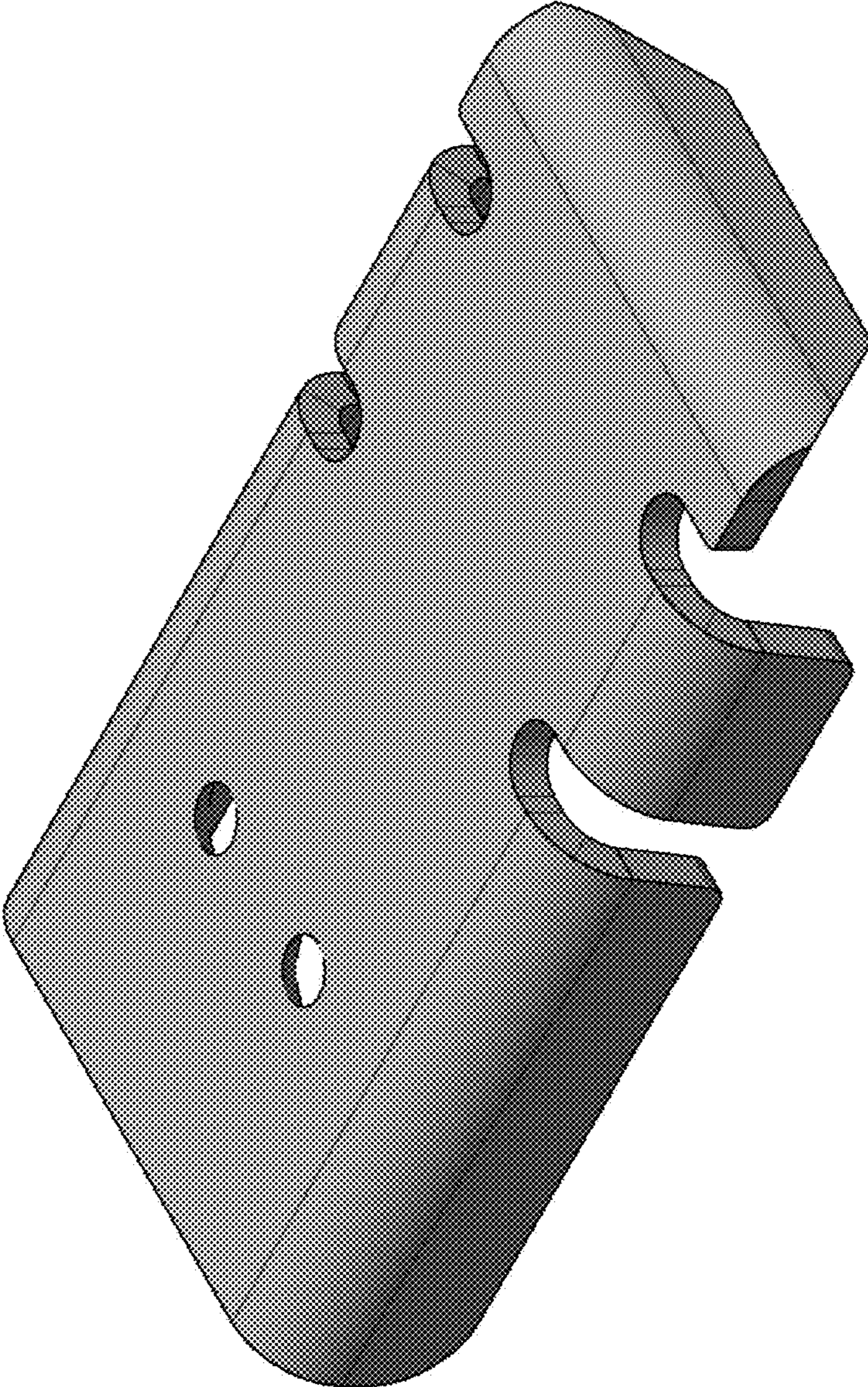


FIG. 1

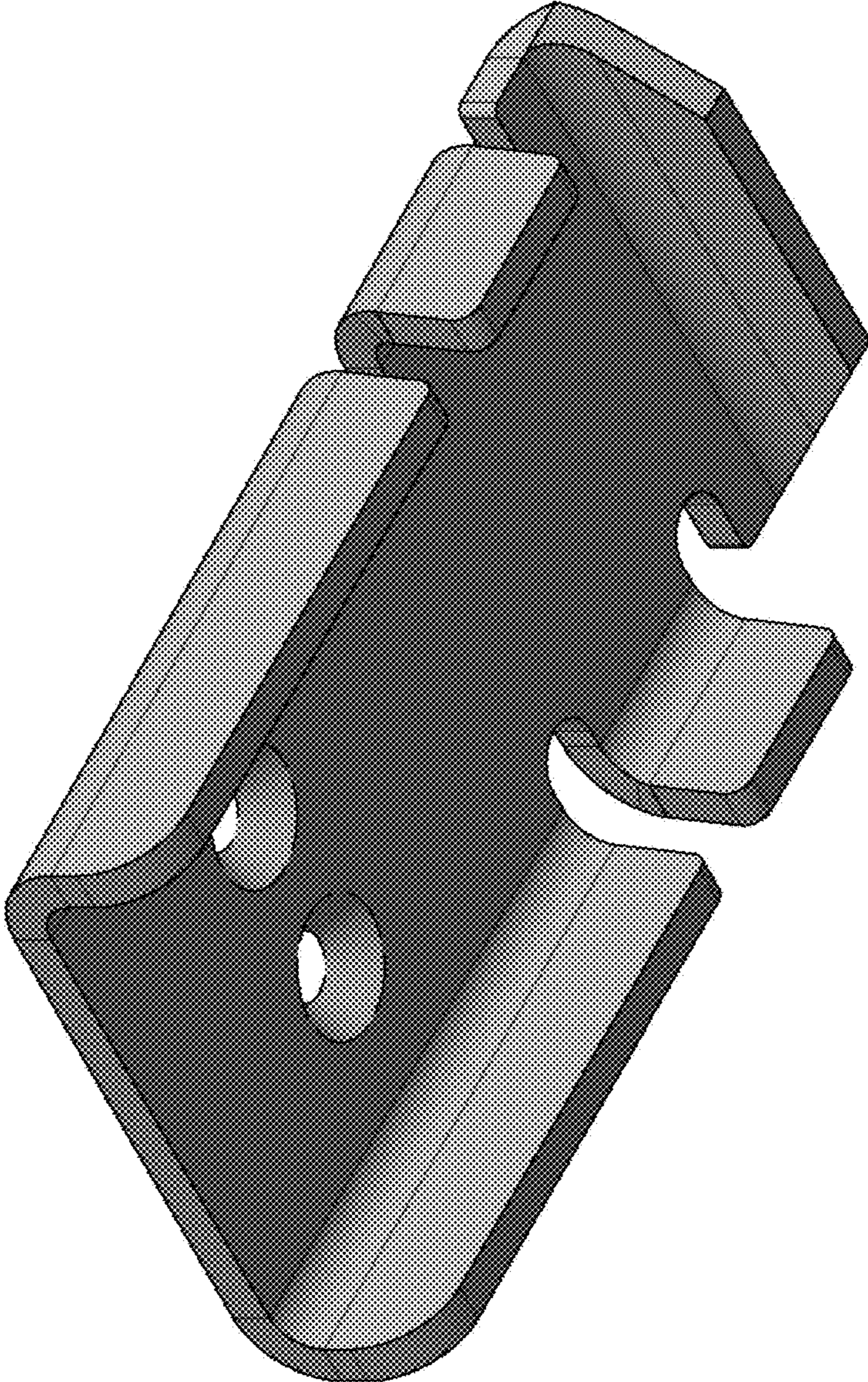


FIG. 2

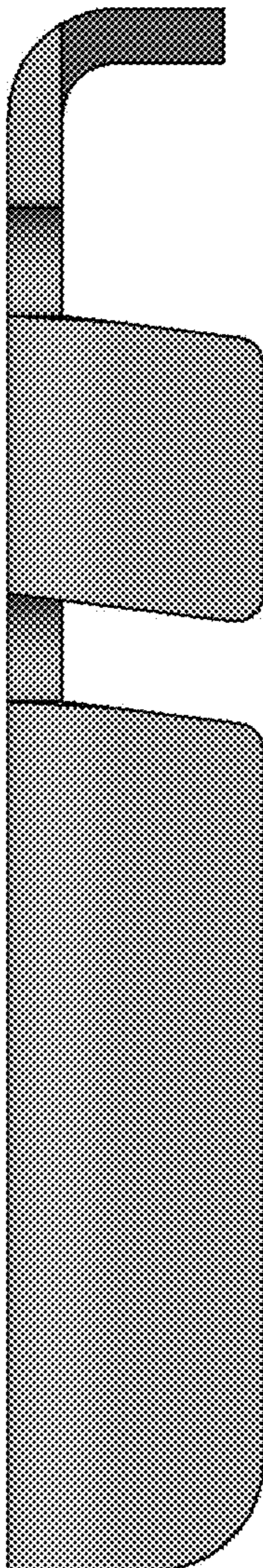


FIG. 3

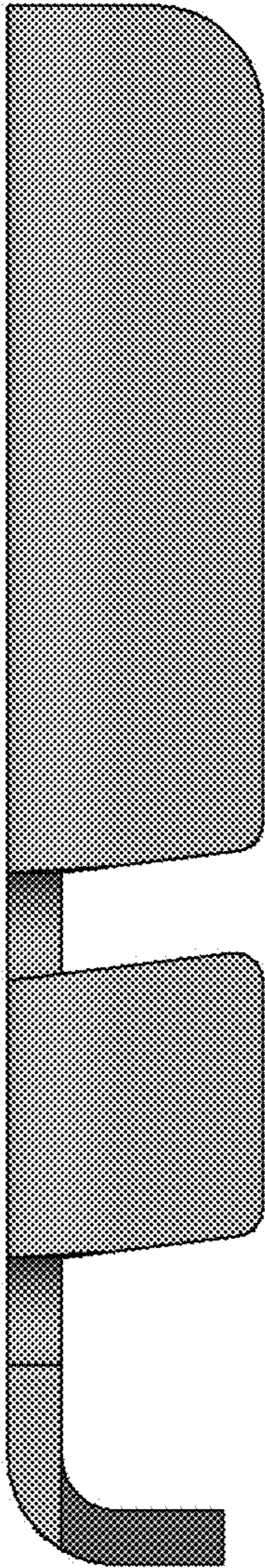


FIG. 4

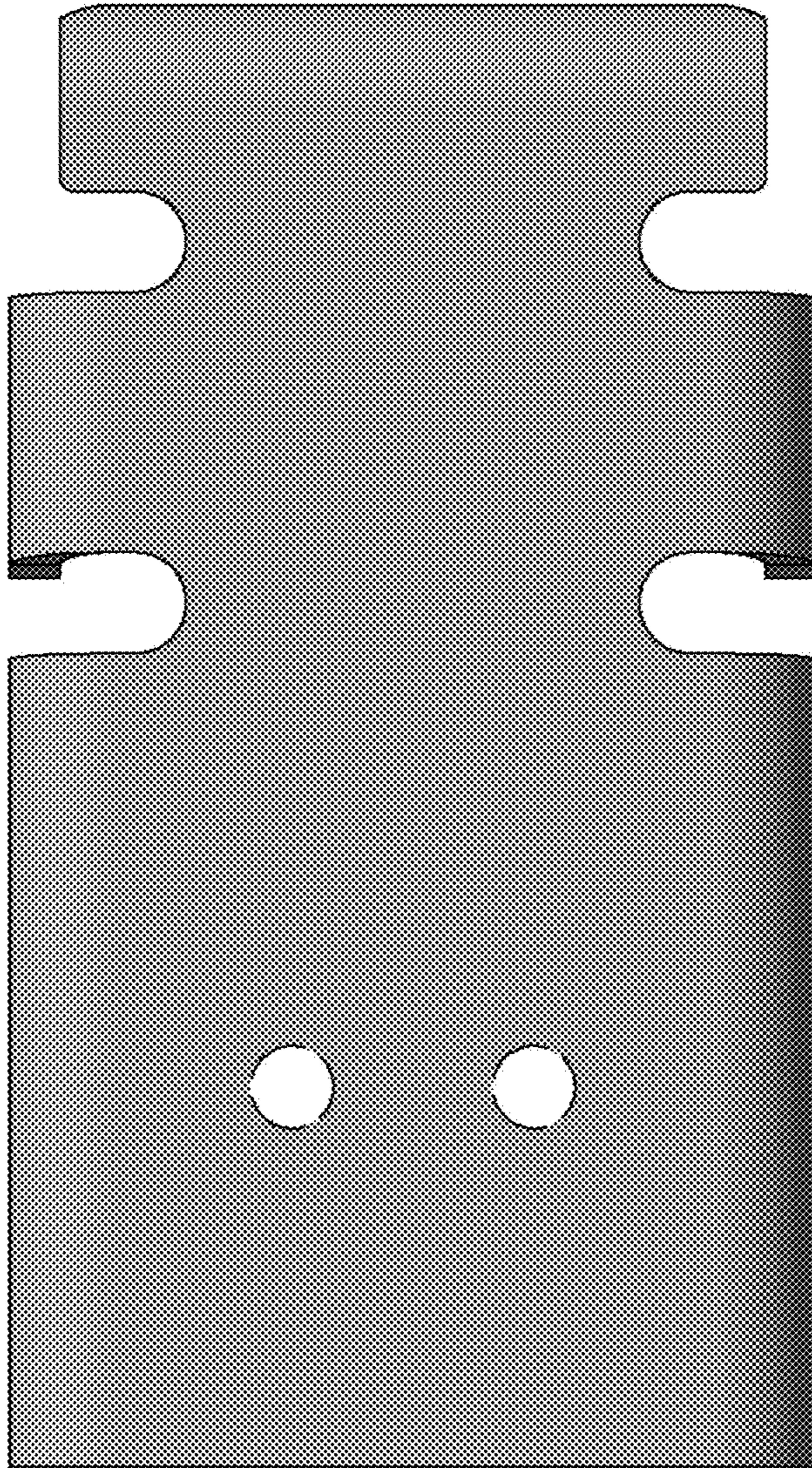


FIG. 5

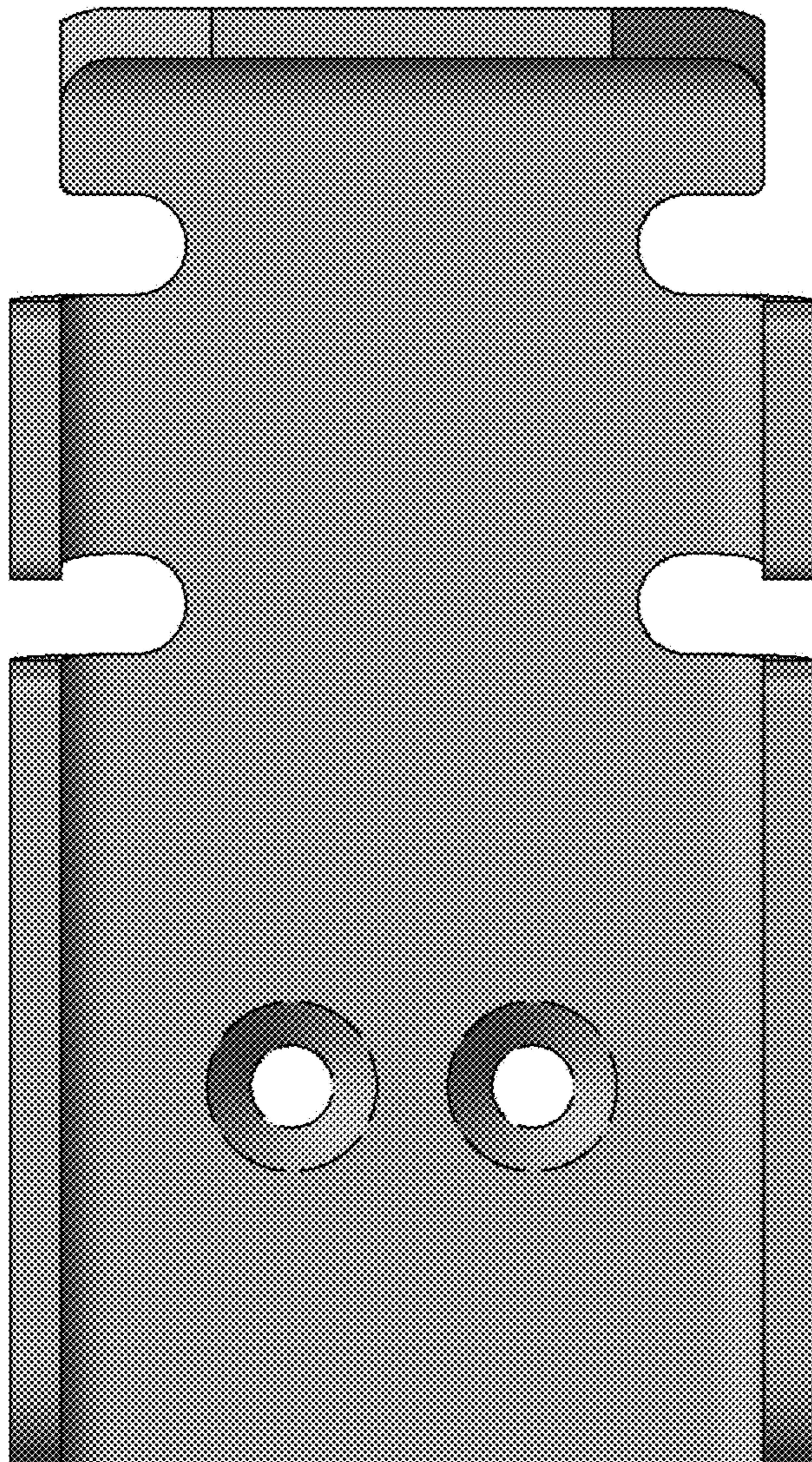


FIG. 6

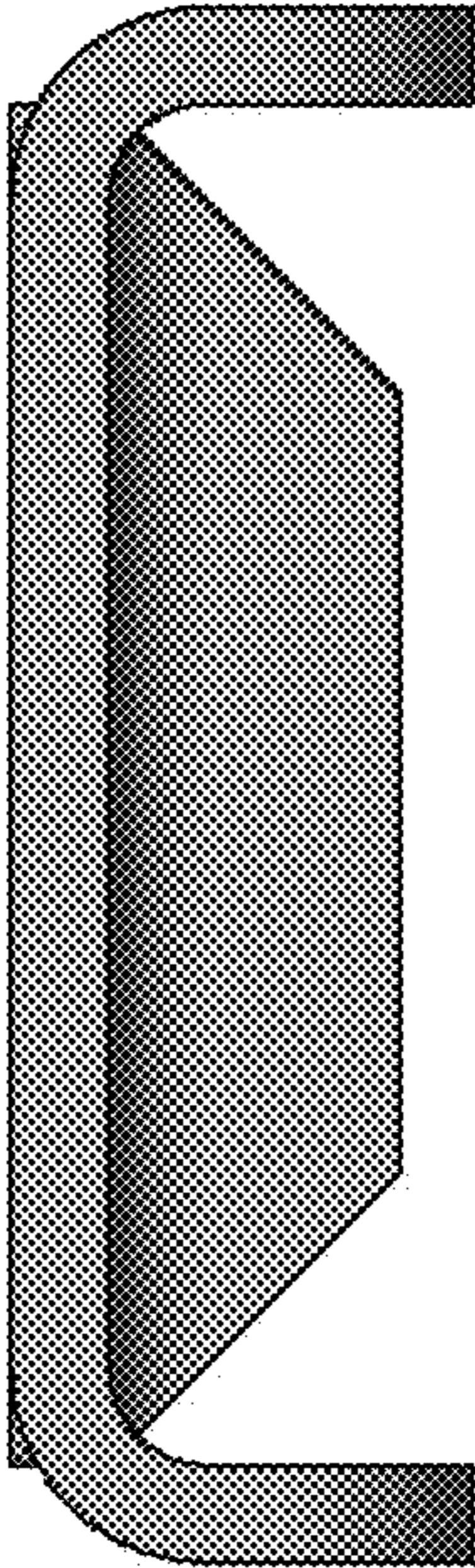


FIG. 7

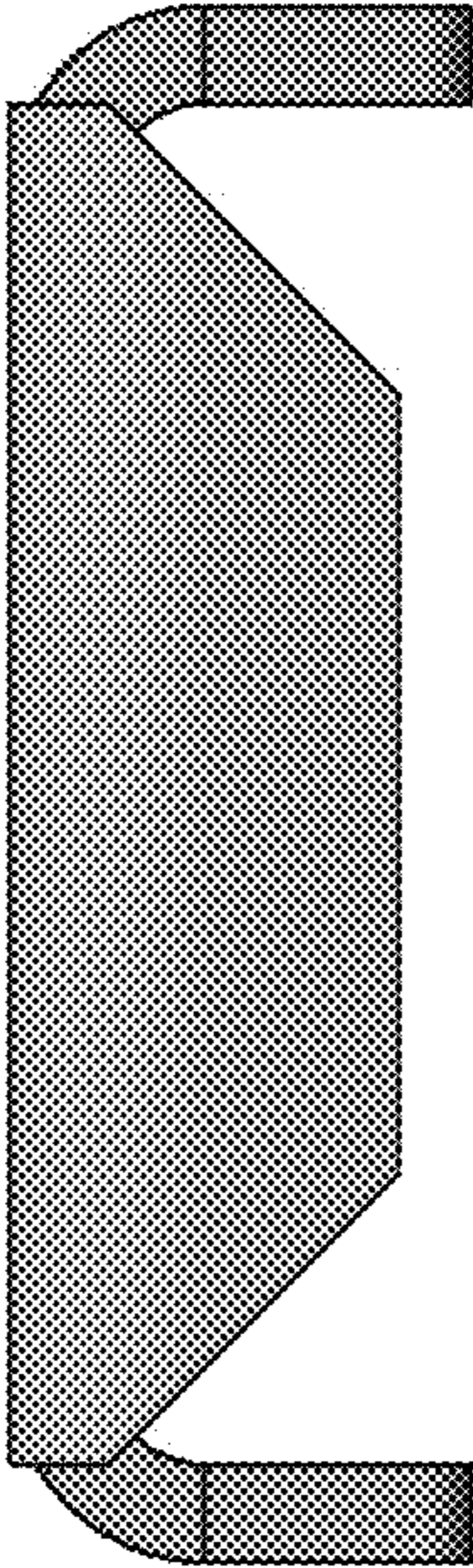


FIG. 8

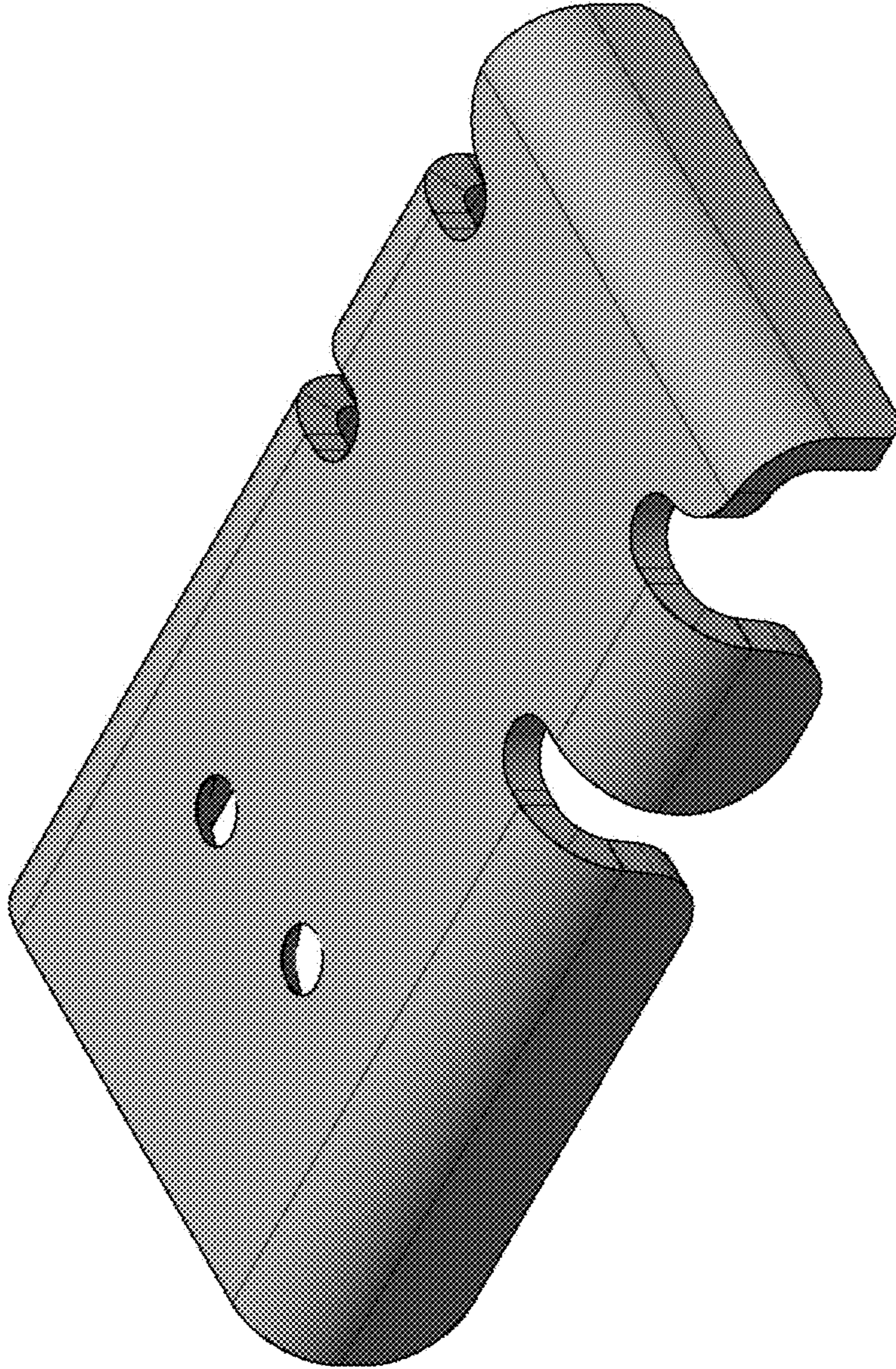


FIG. 9

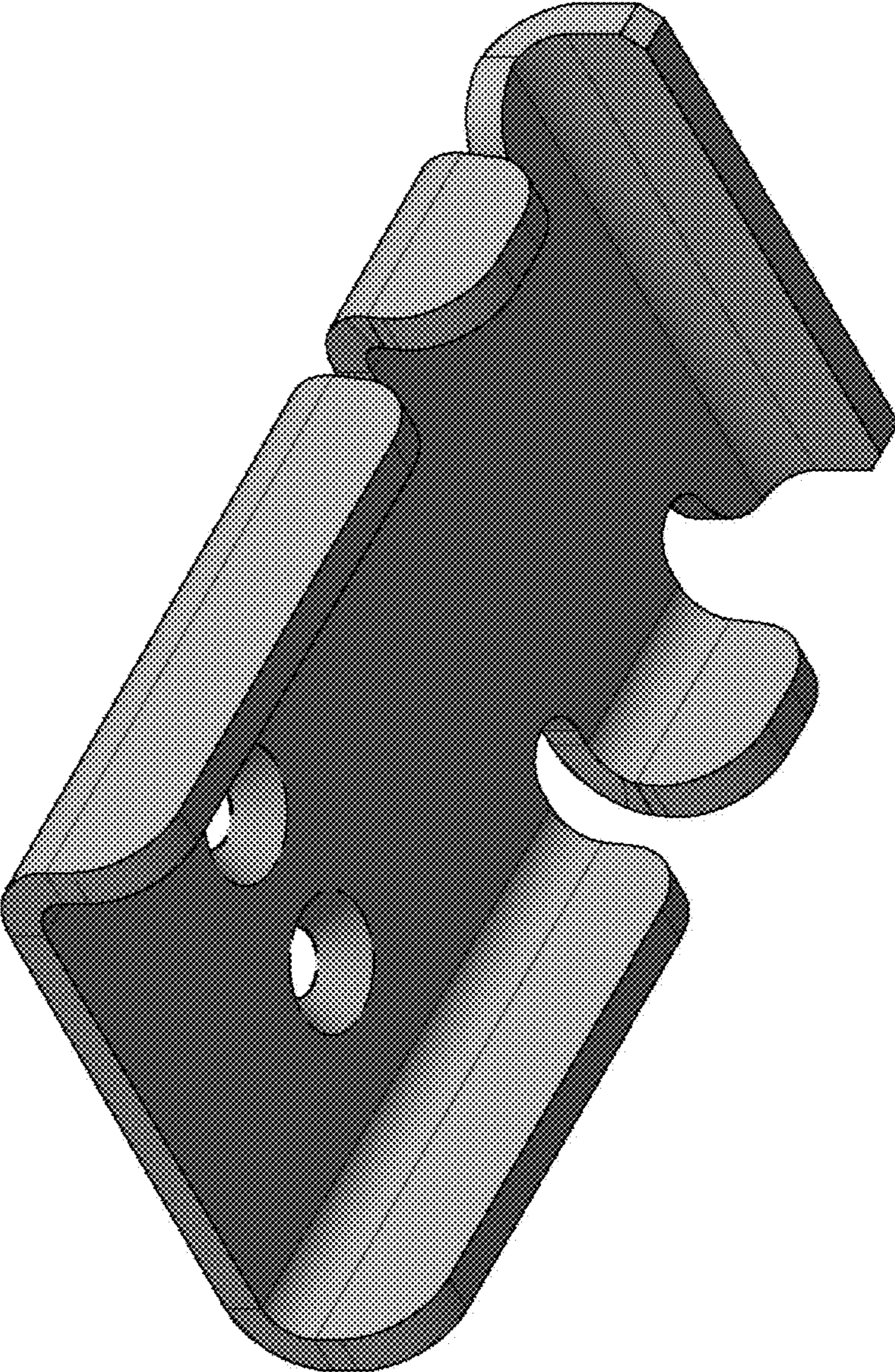


FIG. 10

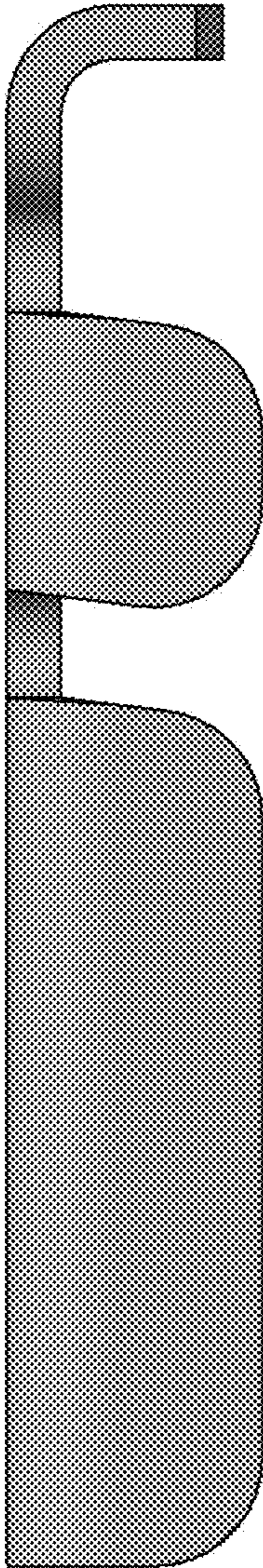


FIG. 11

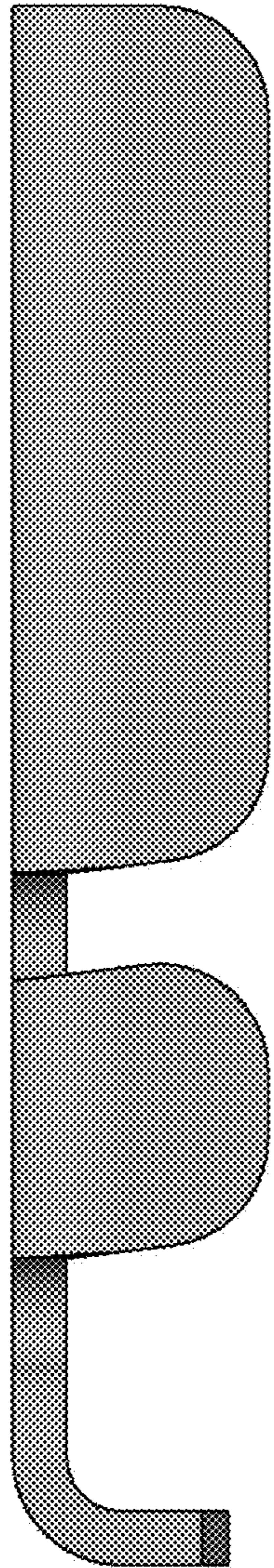


FIG. 12

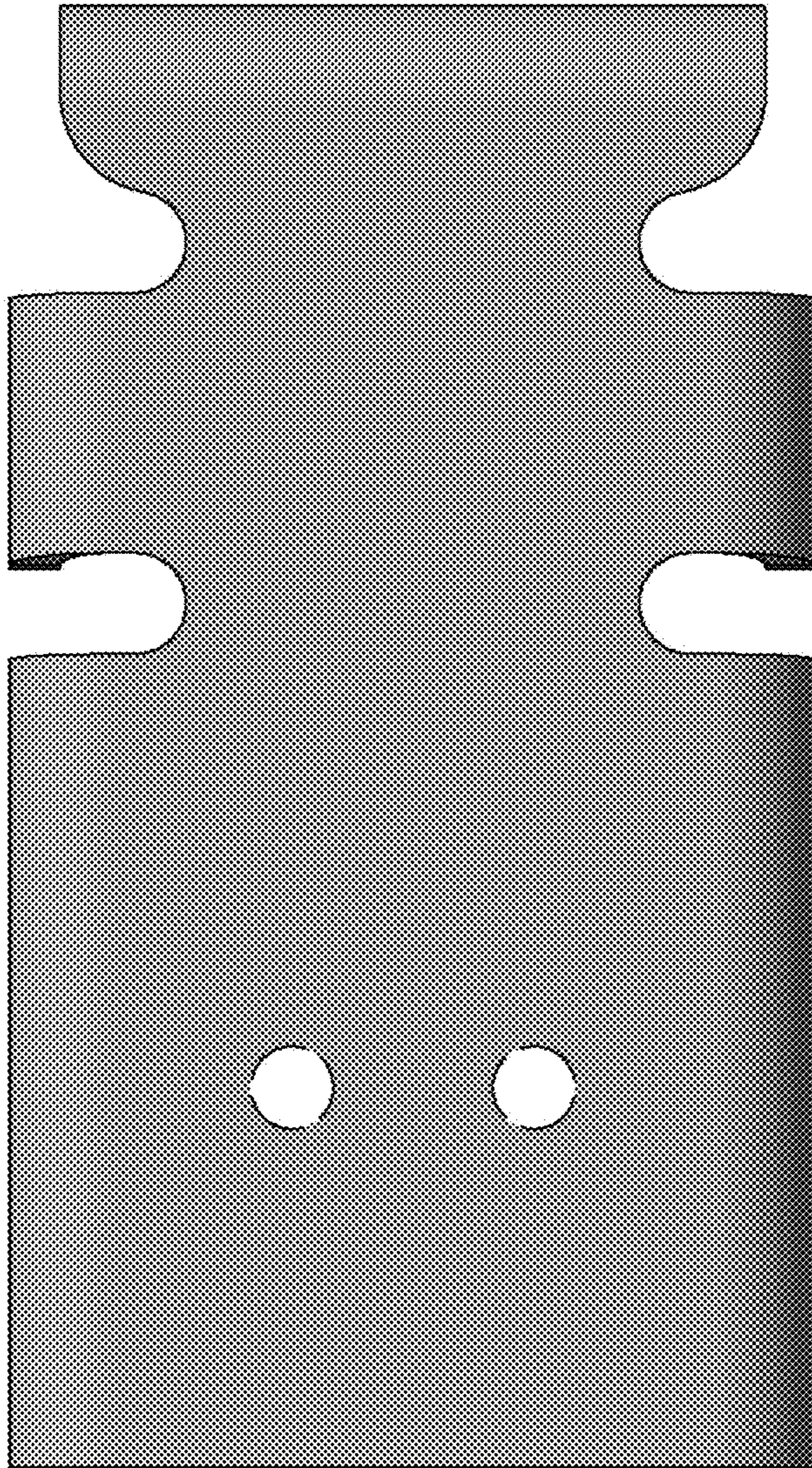


FIG. 13

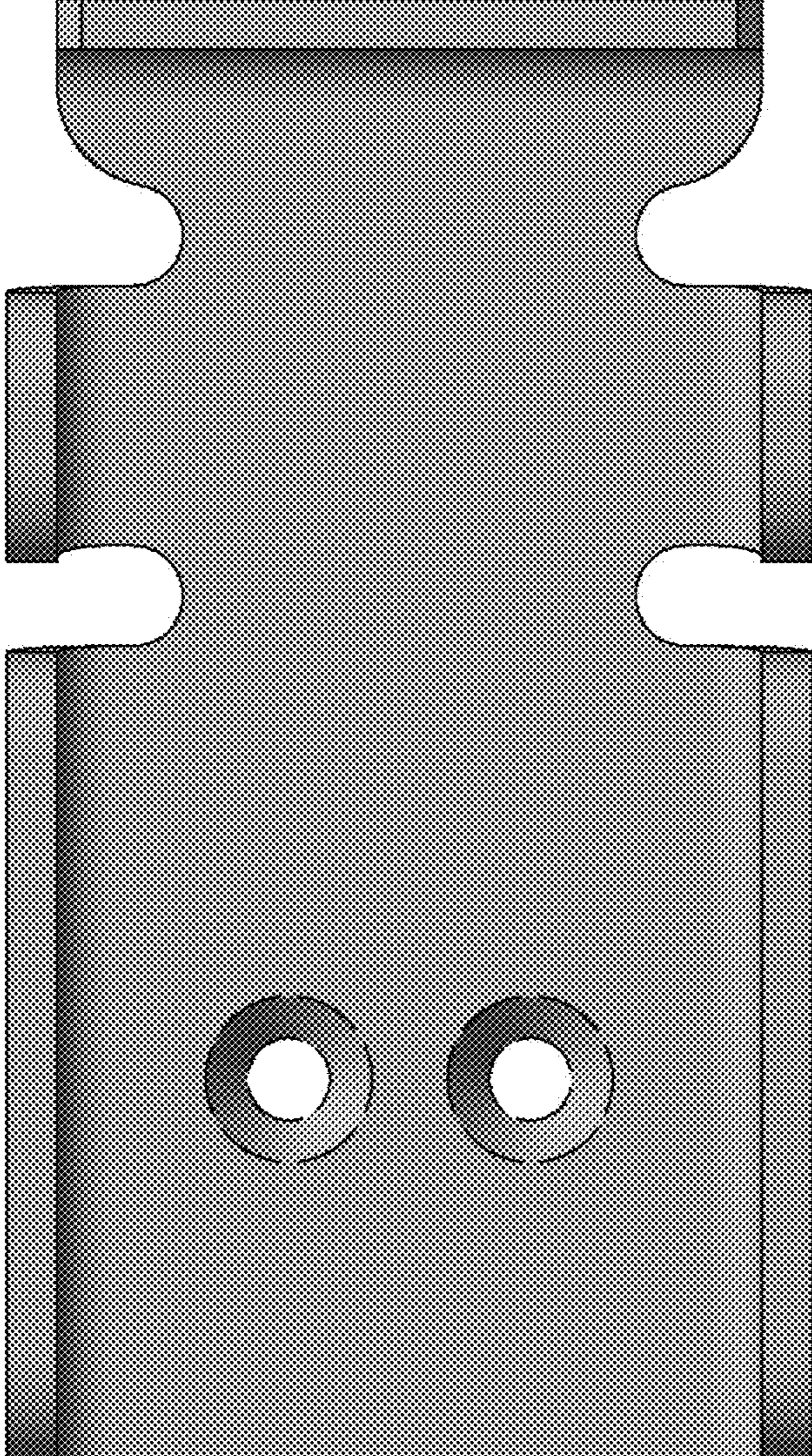


FIG. 14

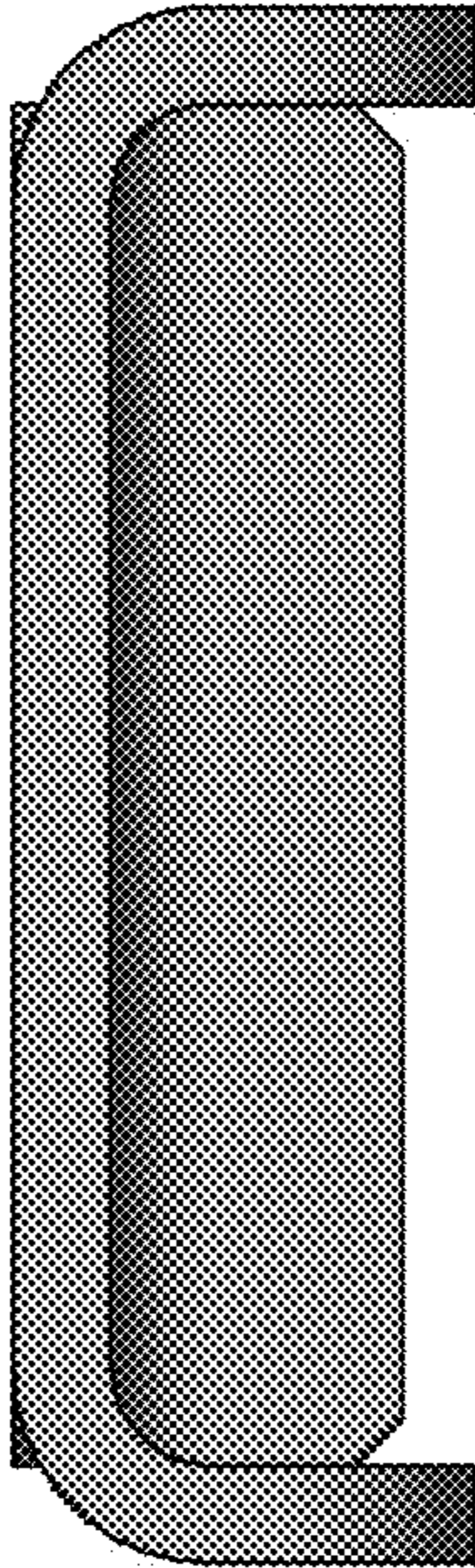


FIG. 15

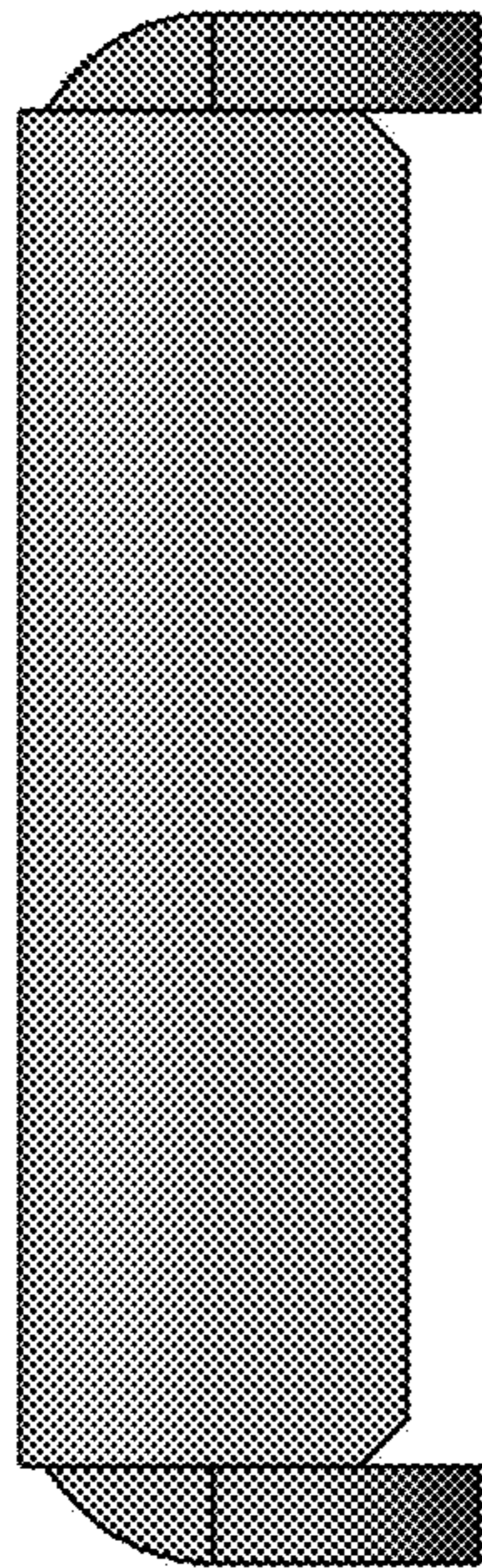


FIG. 16

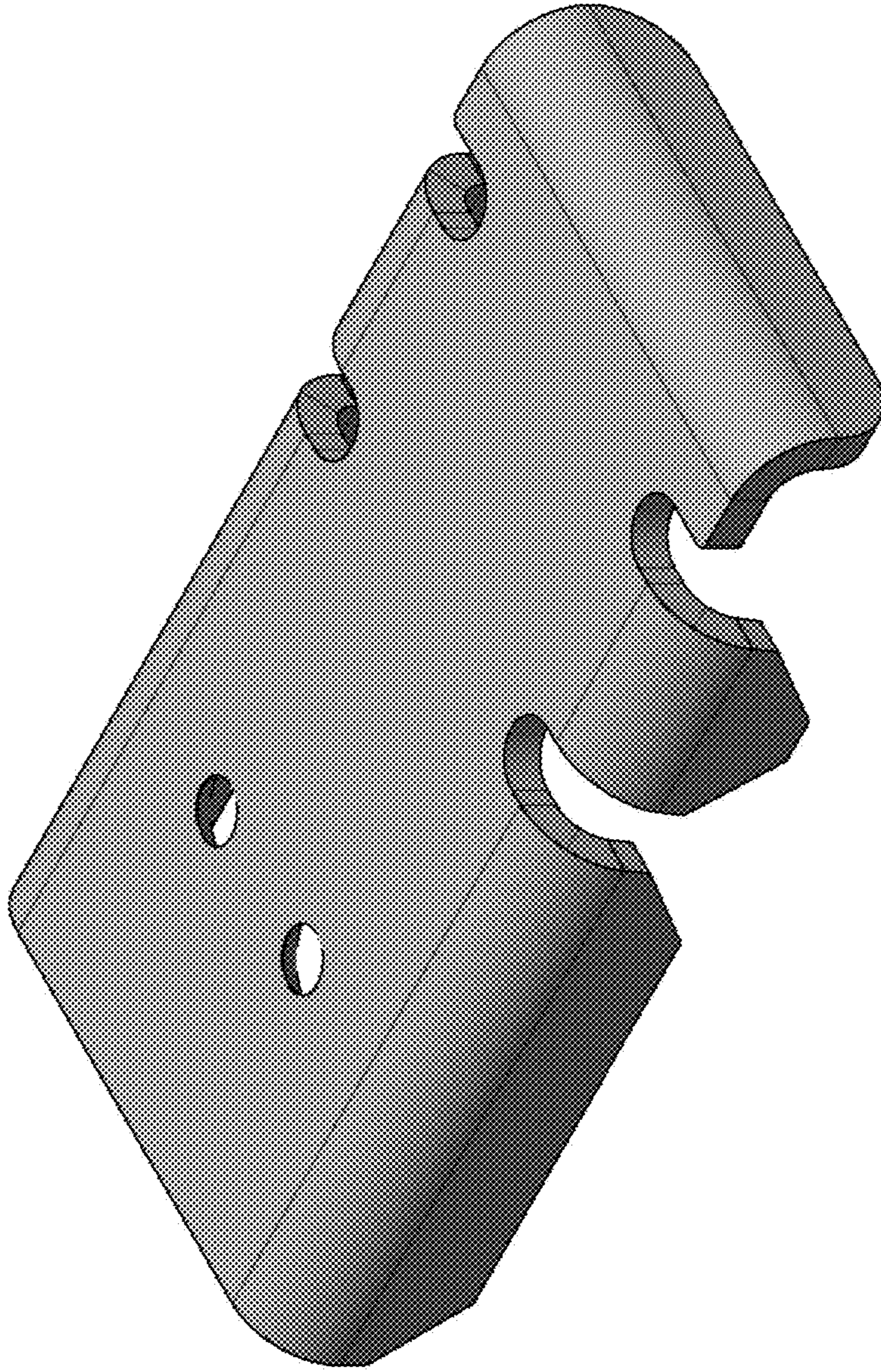


FIG. 17

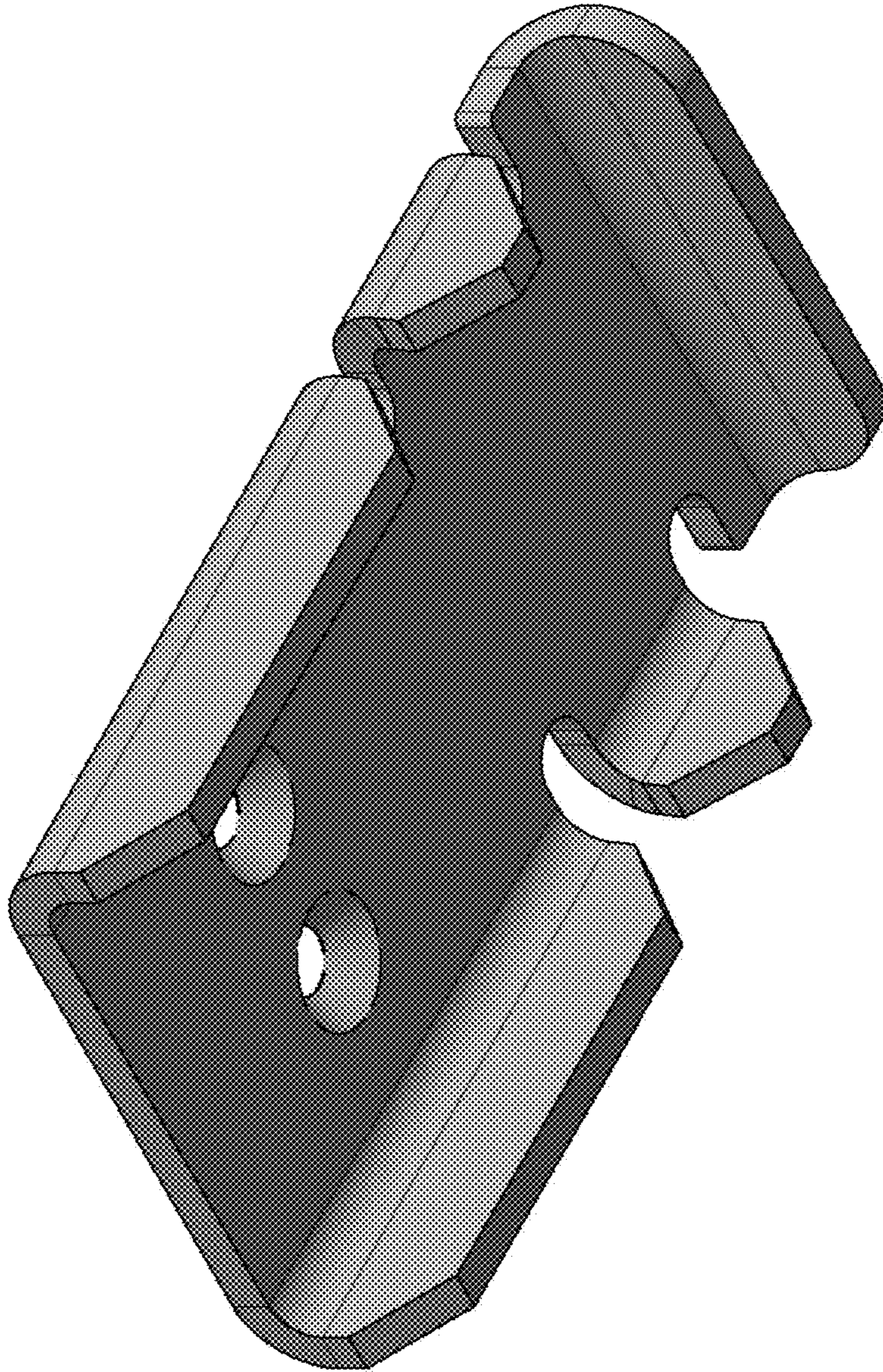


FIG. 18

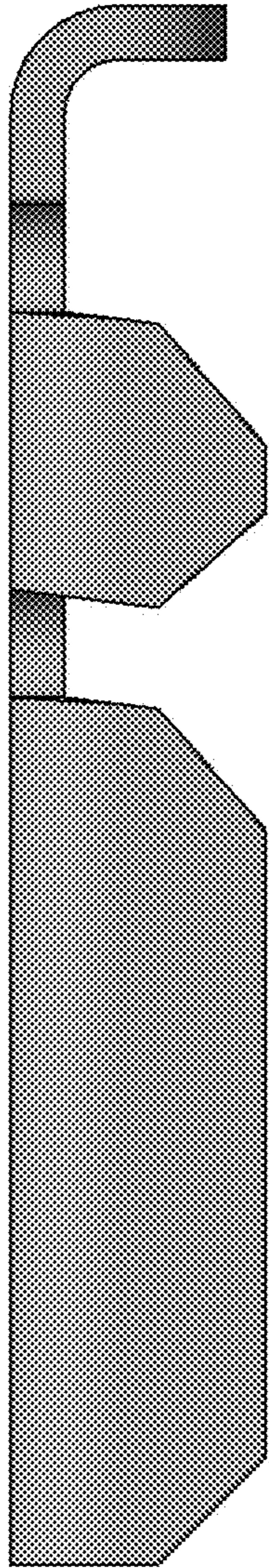


FIG. 19

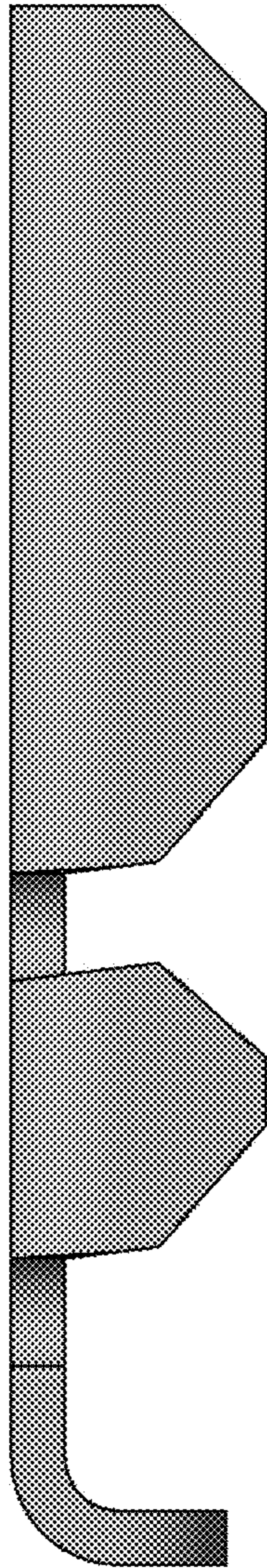


FIG. 20

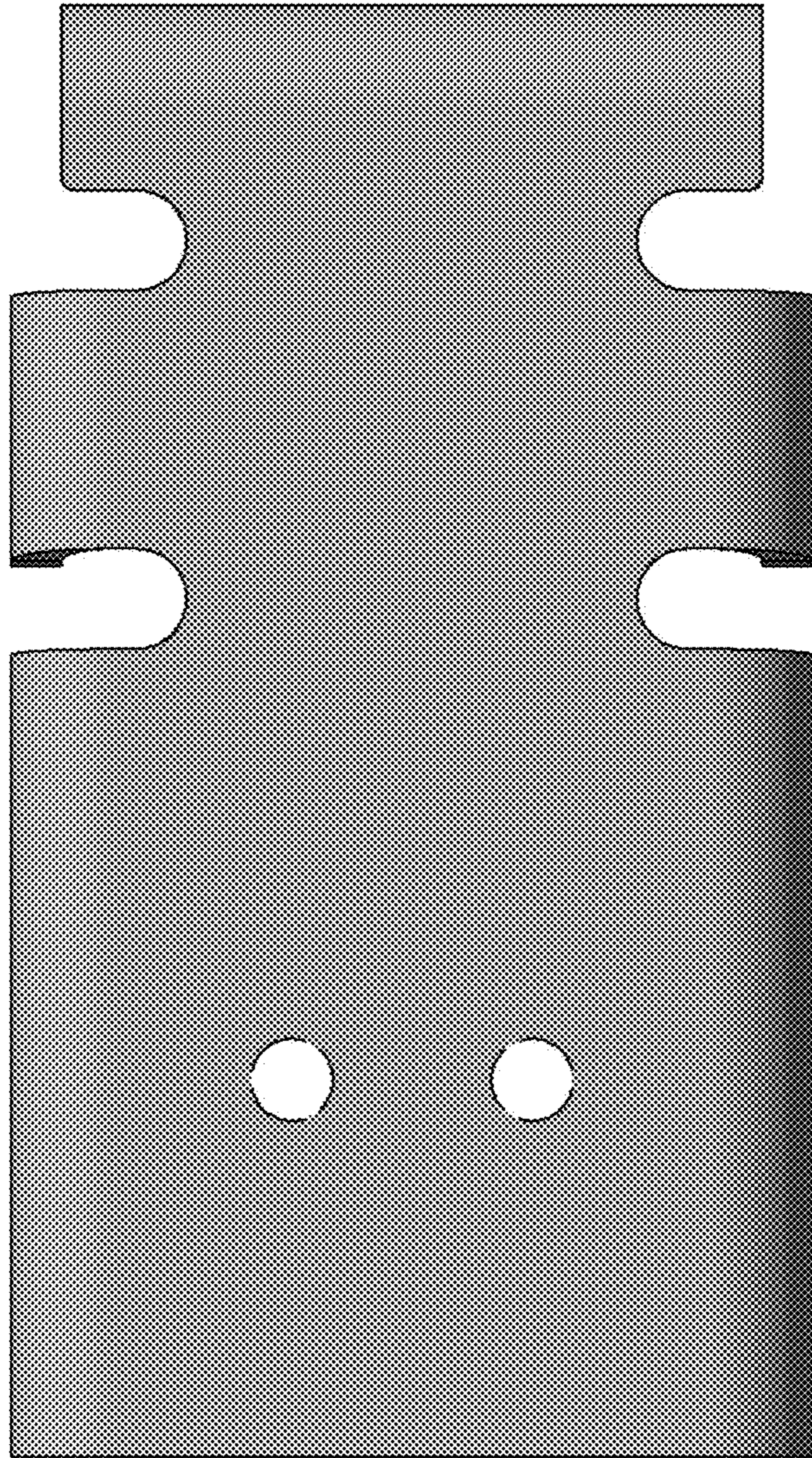


FIG. 21

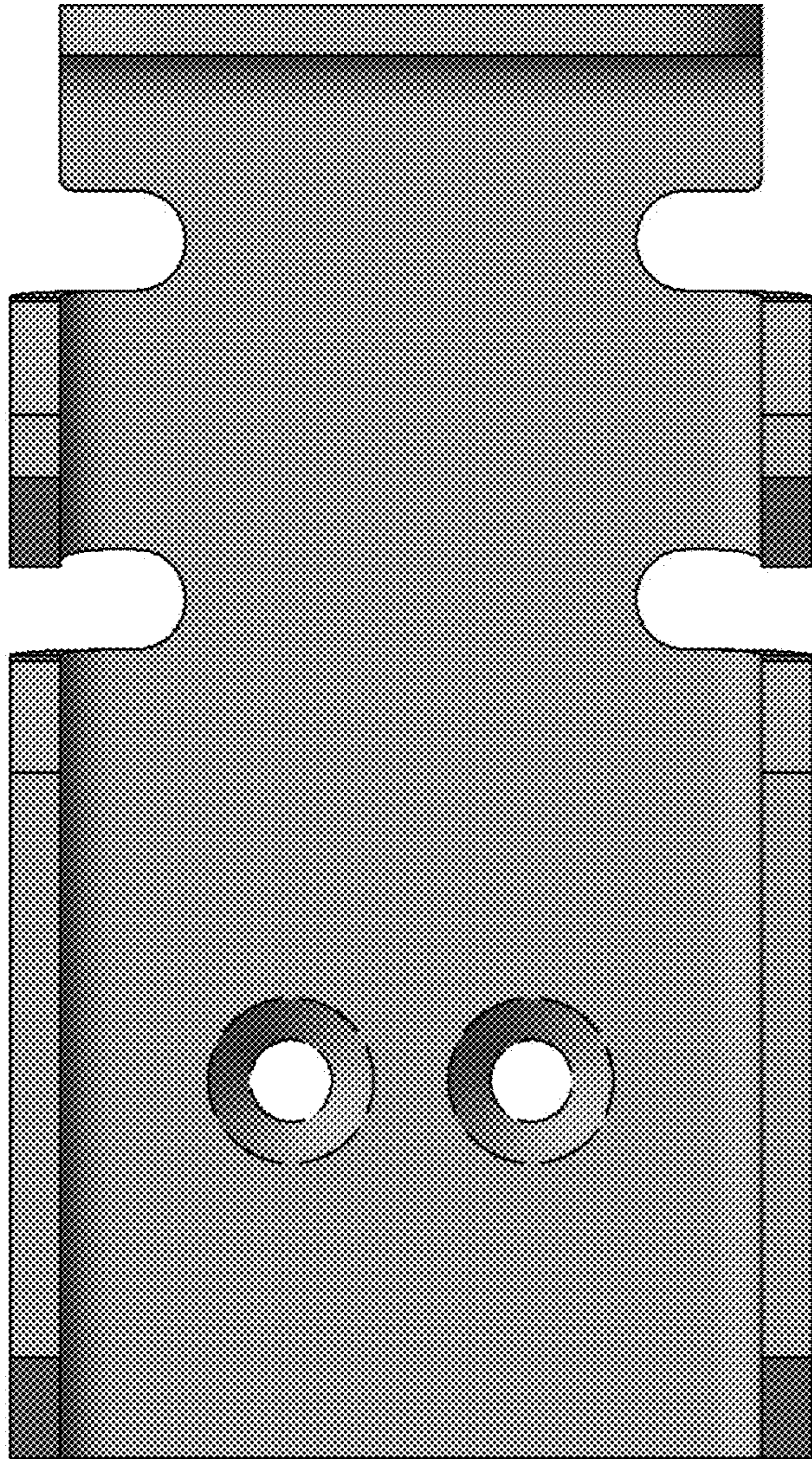


FIG. 22

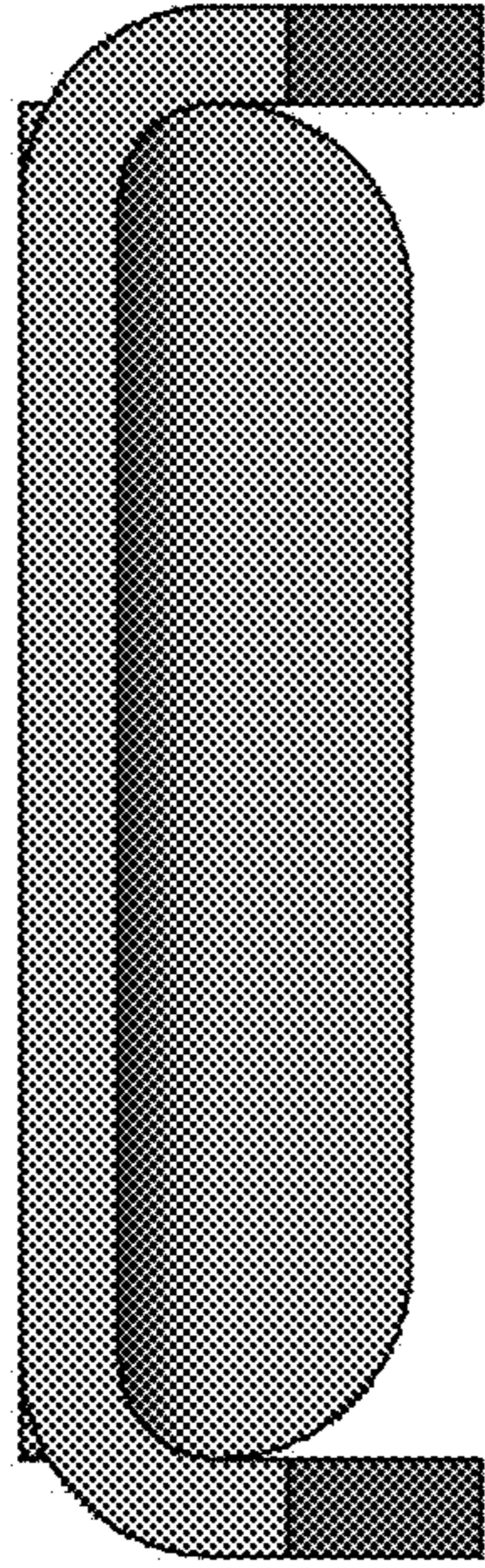


FIG. 23

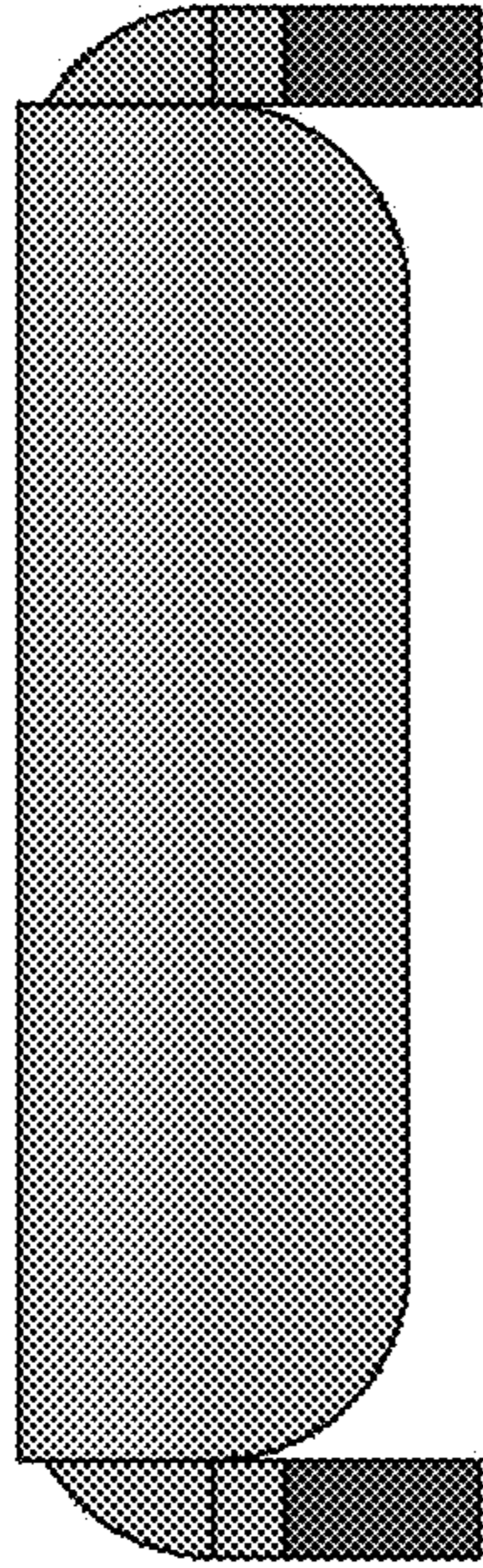


FIG. 24