



US00D902700S

(12) **United States Design Patent** (10) **Patent No.:** **US D902,700 S**
Martin (45) **Date of Patent:** **** Nov. 24, 2020**

(54) **ROD RAILING ANCHOR**

FOREIGN PATENT DOCUMENTS

(71) Applicant: **Clearview Handrails, Inc.**, Gainesville, GA (US)

AU 2019219794 A1 9/2019
CN 201230646950.3 6/2013
DE 102004020637 B3 11/2005

(72) Inventor: **Stephen R Martin**, Gainesville, GA (US)

OTHER PUBLICATIONS

(73) Assignee: **Clearview Handrails Inc.**, Gainesville, GA (US)

Atlantis Rail Systems, Raileasy™ Cable Railing Tensioner, Massachusetts, US State.
Ram Tail, Ram Tail RT 8017-FM Tension/Fixed End.

(**) Term: **15 Years**

* cited by examiner

(21) Appl. No.: **29/739,550**

Primary Examiner — Eliza Z Bennett-Hattan

(22) Filed: **Jun. 26, 2020**

(74) *Attorney, Agent, or Firm* — Mehrman Law Office; Michael J. Mehrman

(51) **LOC (12) Cl.** **08-05**

(52) **U.S. Cl.**
USPC **D8/363**

(57) **CLAIM**

(58) **Field of Classification Search**
USPC D8/363, 385, 373, 376; D25/126; D17/22

The ornamental design for a rod railing anchor, as shown and described herein.

CPC E04B 1/4107; E04F 11/1812
See application file for complete search history.

DESCRIPTION

(56) **References Cited**

FIG. 1 is a perspective view of a rod railing anchor, showing the new design;

U.S. PATENT DOCUMENTS

2,463,144 A * 3/1949 Buchanan 439/805
3,511,477 A * 5/1970 Seery E04F 11/1812
256/67
4,045,003 A * 8/1977 McCluskey E04F 11/181
256/59
D250,221 S * 11/1978 Clark D17/22
7,137,617 B2 11/2006 Sjostedt
7,198,253 B2 4/2007 Striebel et al.
D732,936 S * 6/2015 Chang D8/363

FIG. 2 is a front elevational view thereof;

FIG. 3 is a rear elevational view thereof;

FIG. 4 is a left side elevational view thereof;

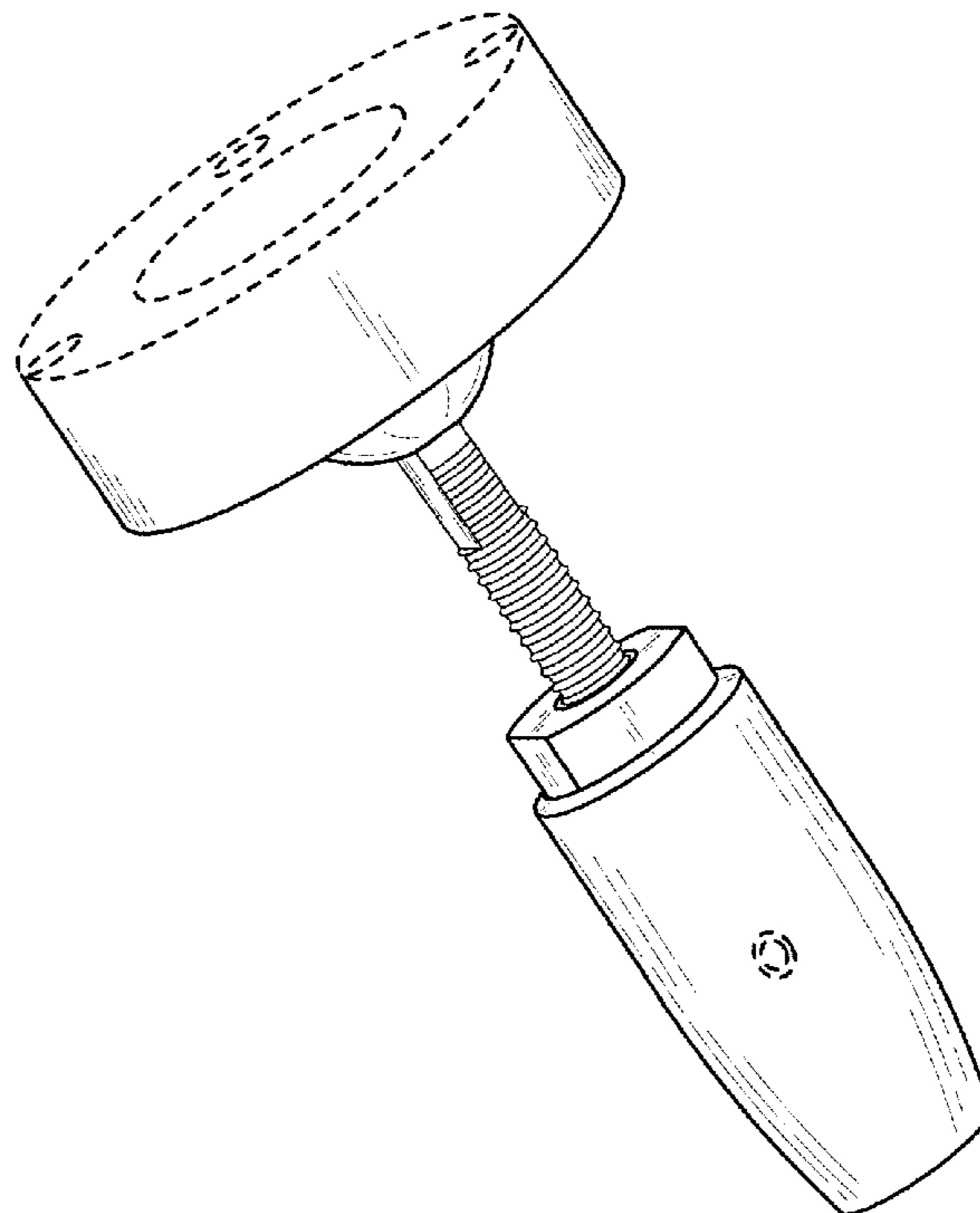
FIG. 5 is a right side elevational view thereof;

FIG. 6 is a top view of thereof; and,

FIG. 7 is a bottom view thereof.

The broken line portion of the figure drawings form no part of the claimed design.

1 Claim, 6 Drawing Sheets



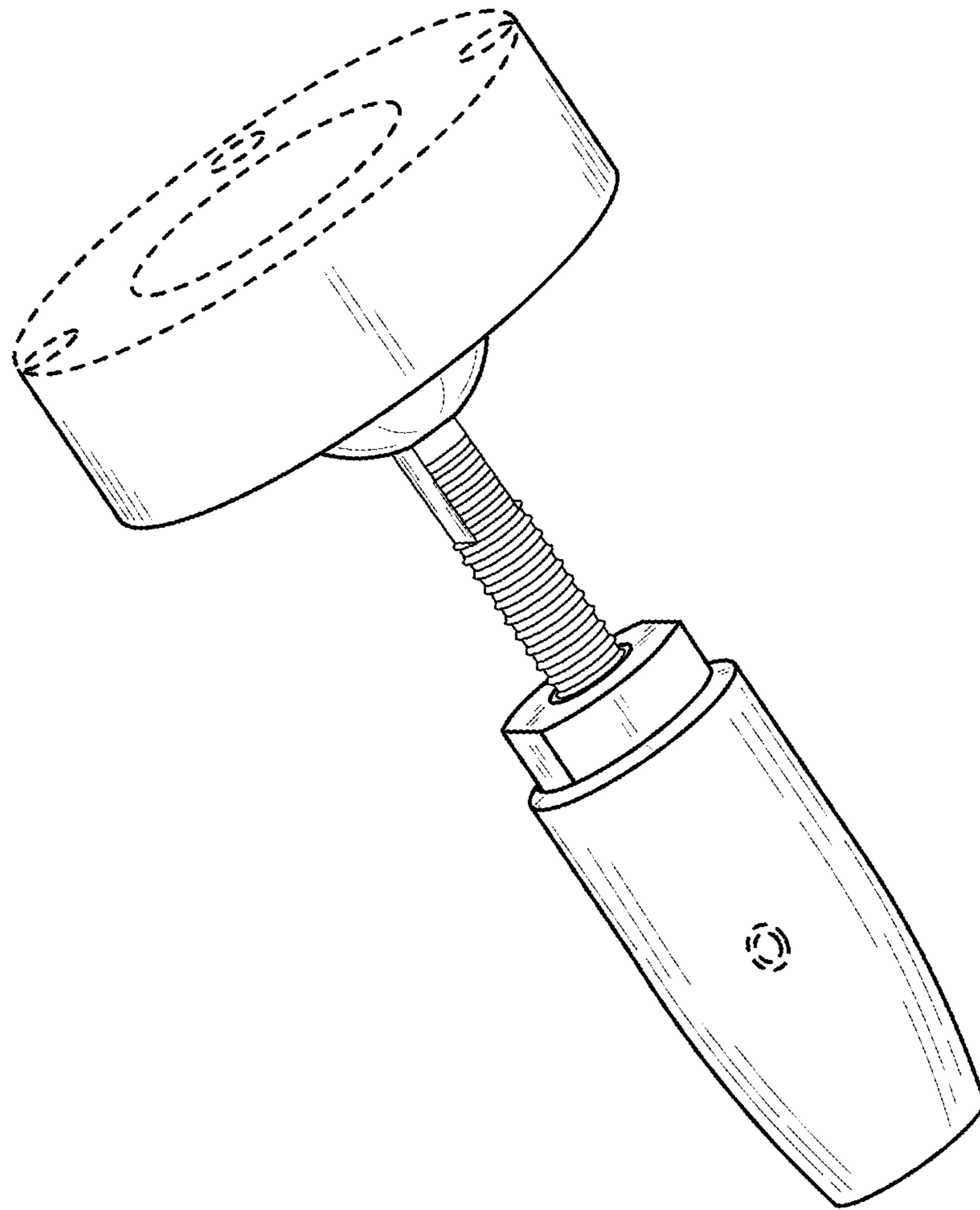


FIG. 1

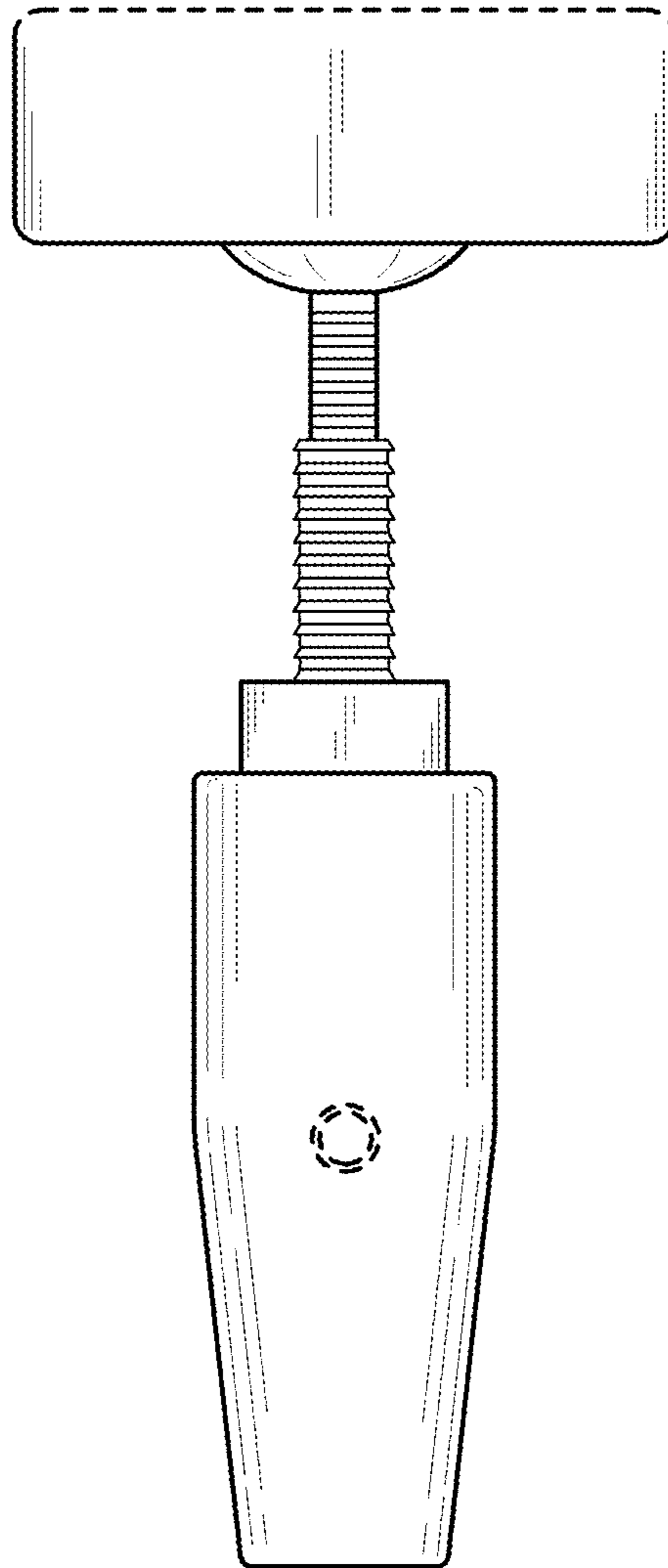


FIG. 2

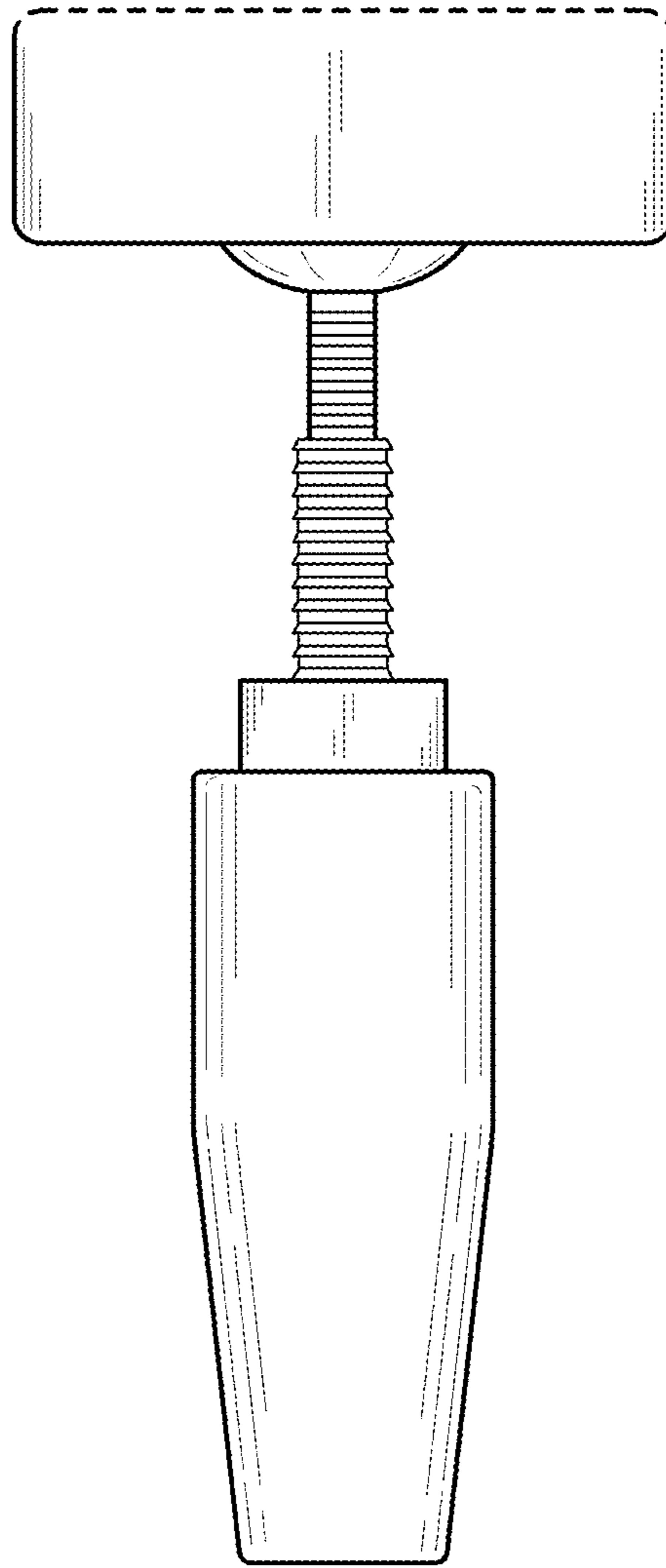


FIG. 3

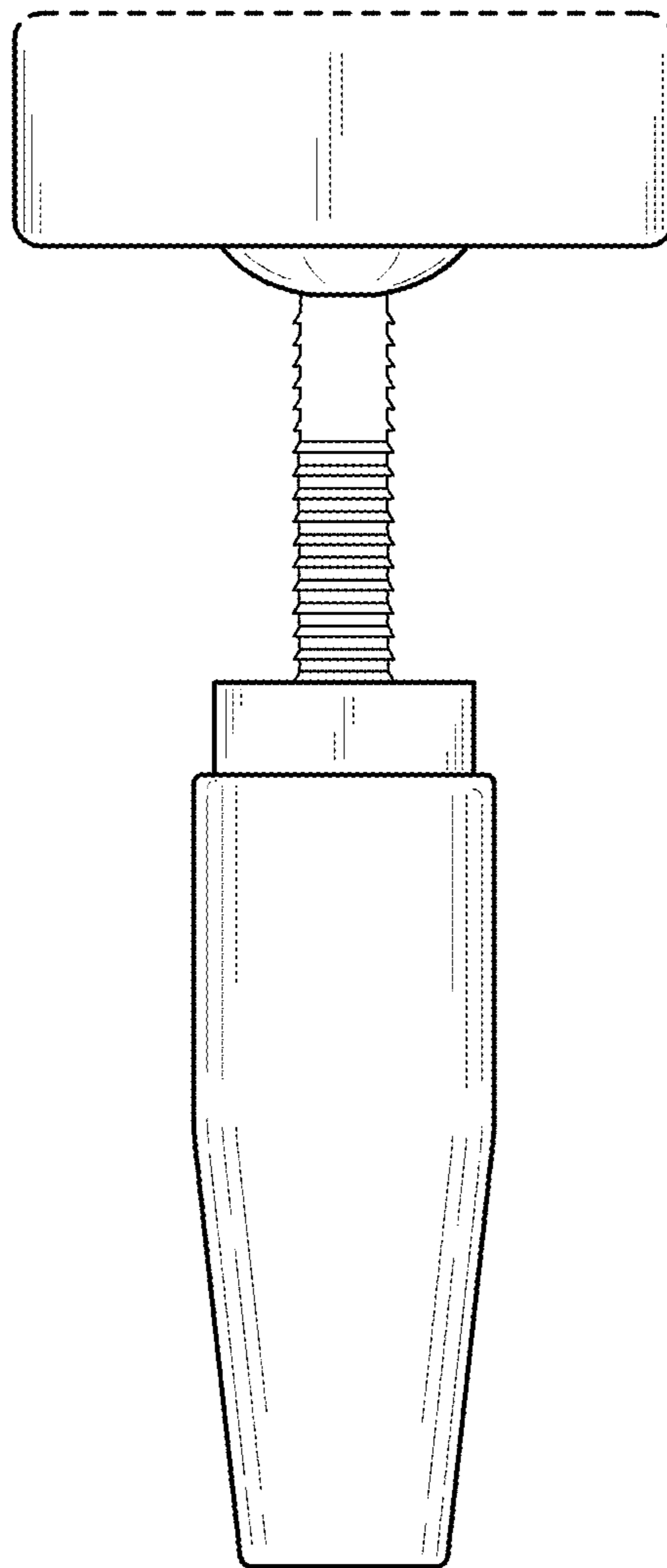


FIG. 4

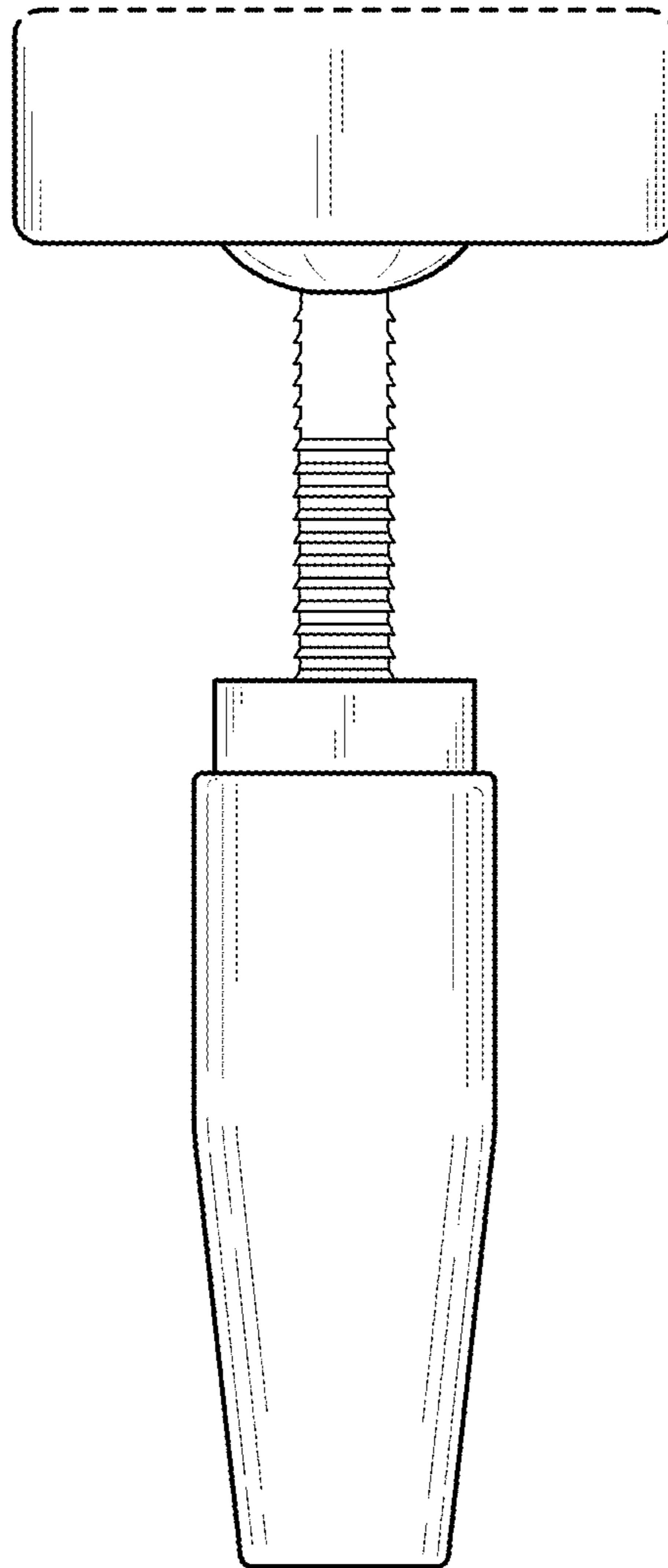


FIG. 5

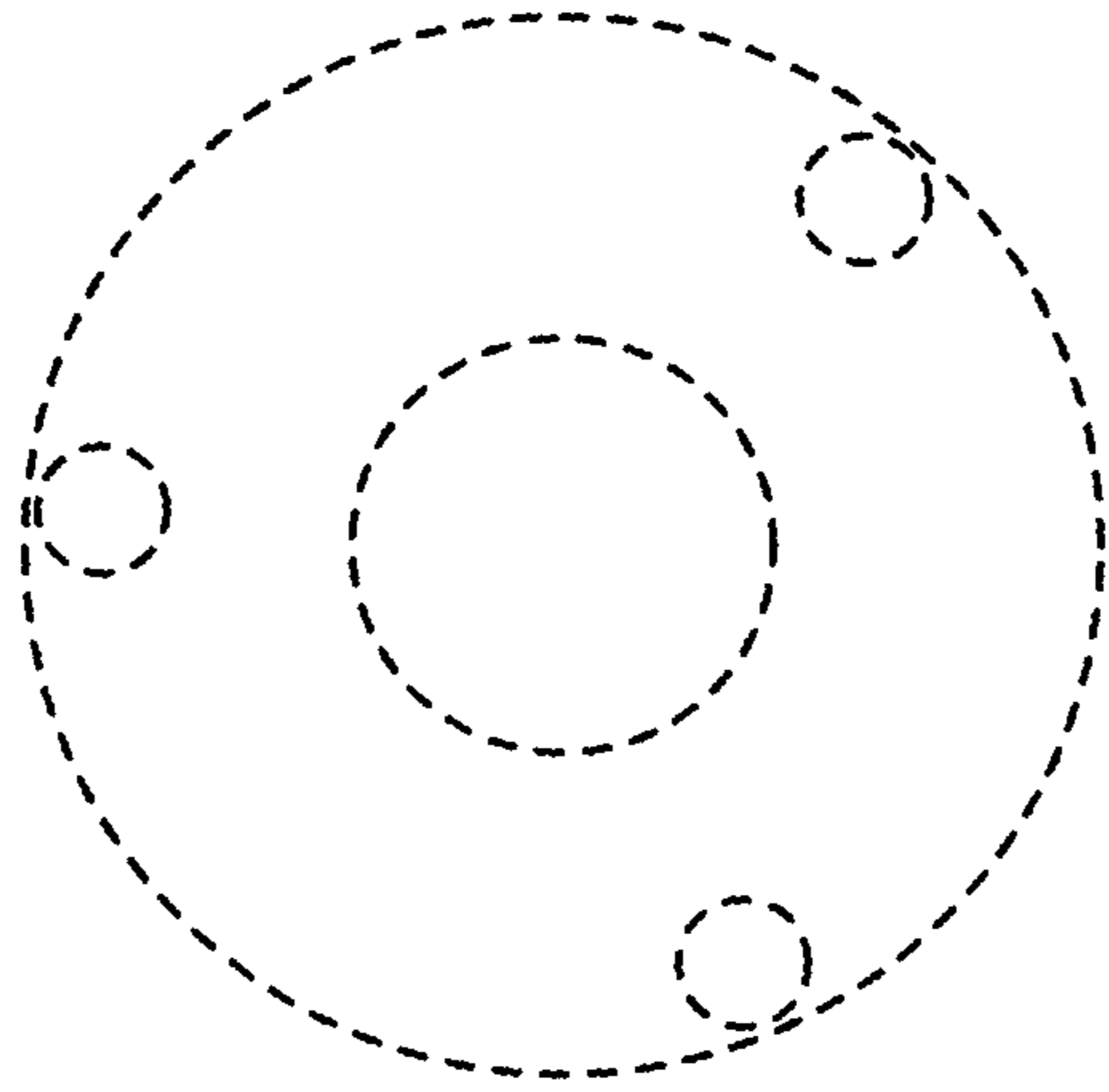


FIG. 6

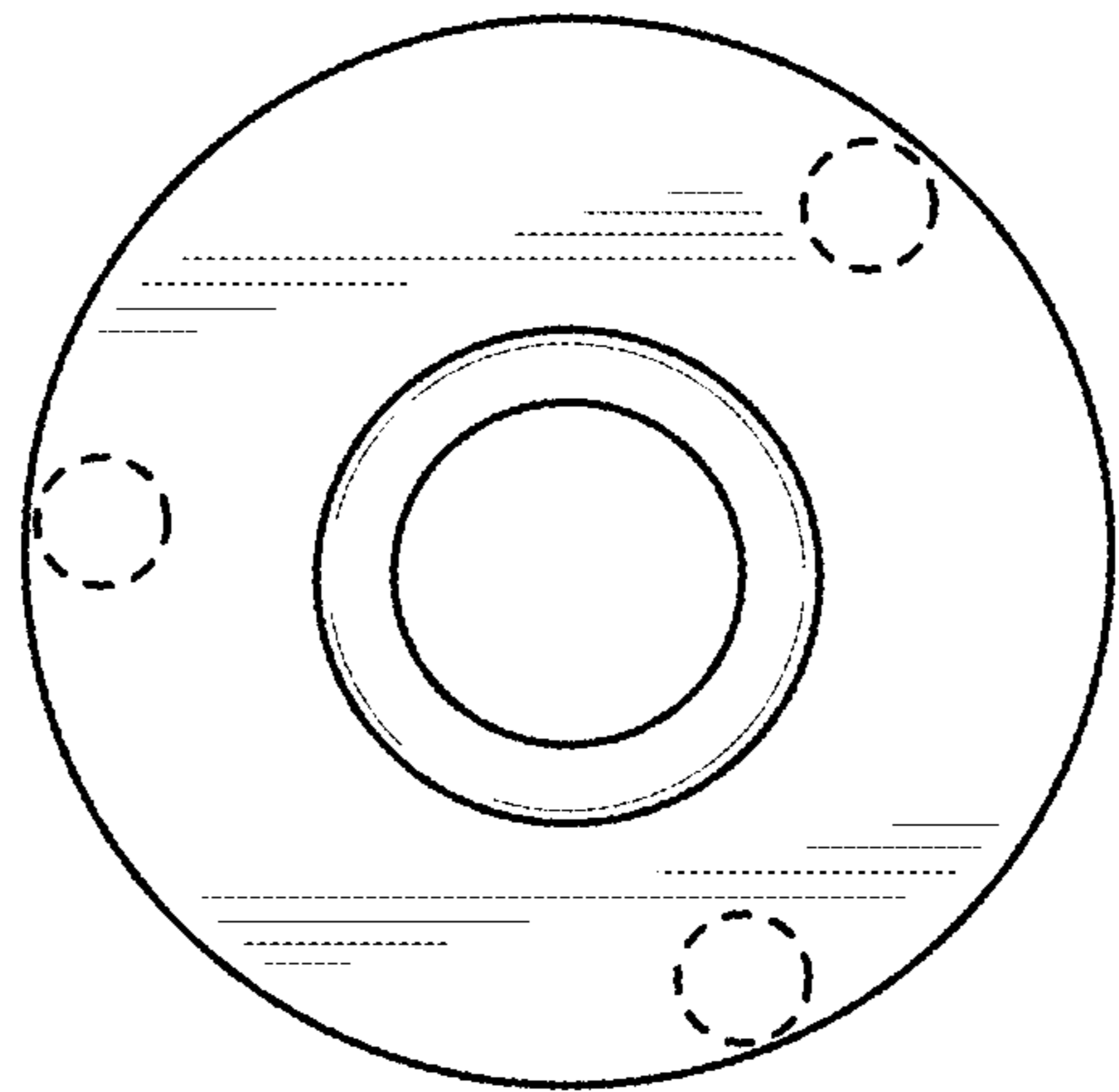


FIG. 7