



US00D902697S

(12) **United States Design Patent**
Kaopio

(10) **Patent No.:** **US D902,697 S**

(45) **Date of Patent:** **** Nov. 24, 2020**

(54) **FLAT HIP ROOF BRACKET**

(71) Applicant: **LeVaughn Ohelo Kaopio**, Waimanalo,
HI (US)

(72) Inventor: **LeVaughn Ohelo Kaopio**, Waimanalo,
HI (US)

(**) Term: **15 Years**

(21) Appl. No.: **29/707,513**

(22) Filed: **Sep. 28, 2019**

(51) **LOC (12) Cl.** **08-05**

(52) **U.S. Cl.**
USPC **D8/354**

(58) **Field of Classification Search**
USPC D8/349, 354, 373, 380, 382; D25/5, 6,
D25/120, 121, 199, 119, 128
CPC F16M 2200/065; F16M 2200/06
See application file for complete search history.

(56) **References Cited**

U.S. PATENT DOCUMENTS

3,990,195	A *	11/1976	Gunther	E04B 1/3211 52/81.3
4,491,437	A *	1/1985	Schwartz	E04B 1/3211 403/172
4,534,672	A *	8/1985	Christian, III	E04B 1/1903 403/126
4,566,818	A *	1/1986	Schwartz	E04B 1/1909 403/172
4,682,457	A *	7/1987	Spencer	E04B 2/7425 52/220.7
D371,506	S *	7/1996	Nofziger	D8/354
D397,667	S *	9/1998	White	D12/223

D414,400	S *	9/1999	Williams	D8/354
D557,113	S *	12/2007	Anders, III	D8/354
D598,273	S *	8/2009	Nerskov	D8/354
D841,435	S *	2/2019	Domeck	D8/354
D873,115	S *	1/2020	Evans	D8/354
2016/0251845	A1 *	9/2016	Evans	F16M 13/027 52/698

* cited by examiner

Primary Examiner — Janice Hallmark

Assistant Examiner — Harold E Blackwell, II

(74) *Attorney, Agent, or Firm* — Martin E. Hsia; Keri
Ann K. S. Krzykowski

(57) **CLAIM**

The ornamental design for a flat hip roof bracket, as shown
and described.

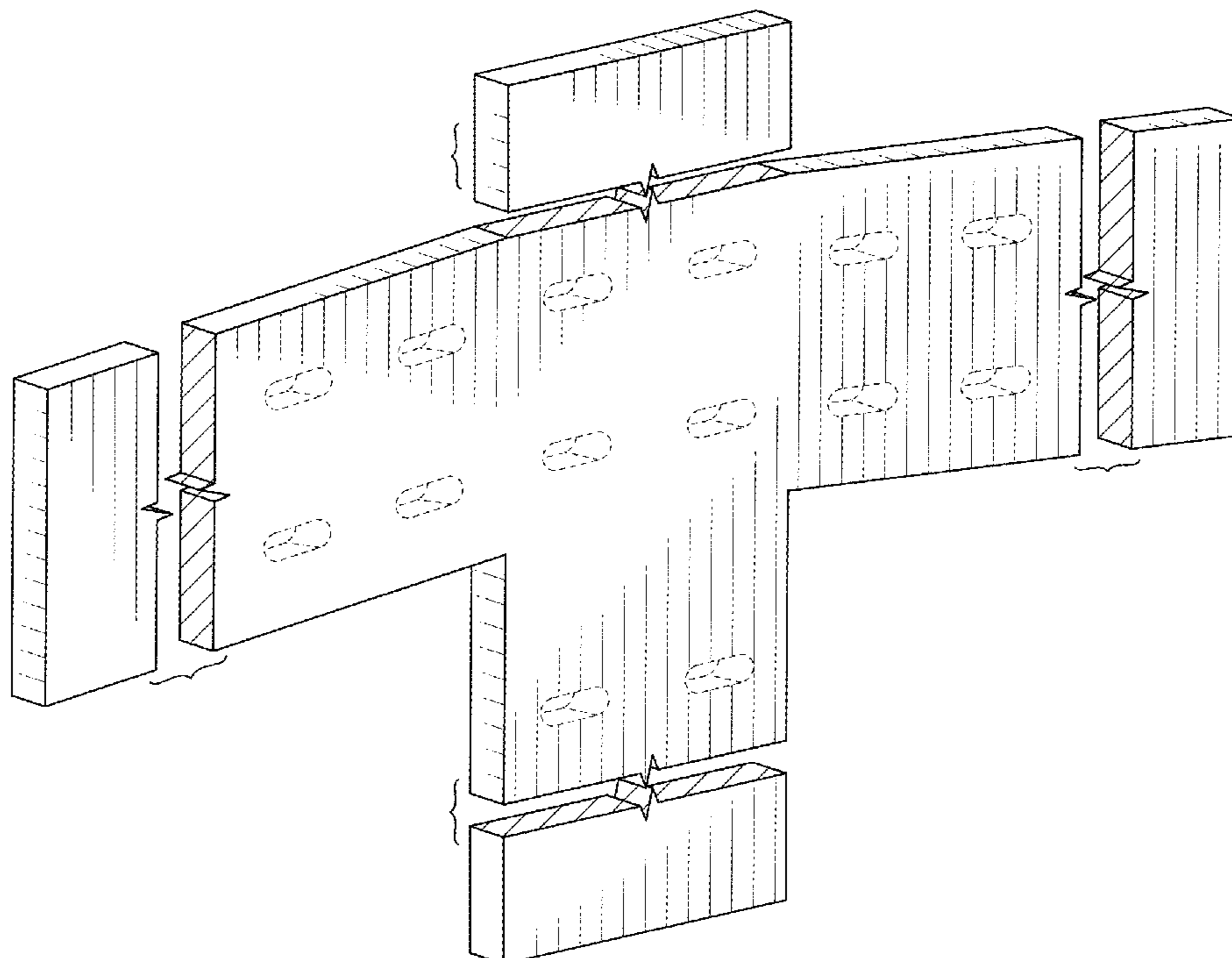
DESCRIPTION

FIG. 1 is a perspective view from the front of a flat hip roof
bracket showing my new design;
FIG. 2 is an elevational view thereof from the front, the
elevational view from the rear being identical;
FIG. 3 is a side elevational view thereof from the right, the
side elevational view from the left being identical; and,
FIG. 4 is a top plan view thereof, the bottom plan view being
identical.

The broken lines in FIGS. 1-2 show portions of the flat hip
roof bracket that form no part of the design.

The flat hip roof bracket is shown with a symbolic break in
its length. The appearance of any portion of the article
between the break lines forms no part of the claimed design.

1 Claim, 3 Drawing Sheets



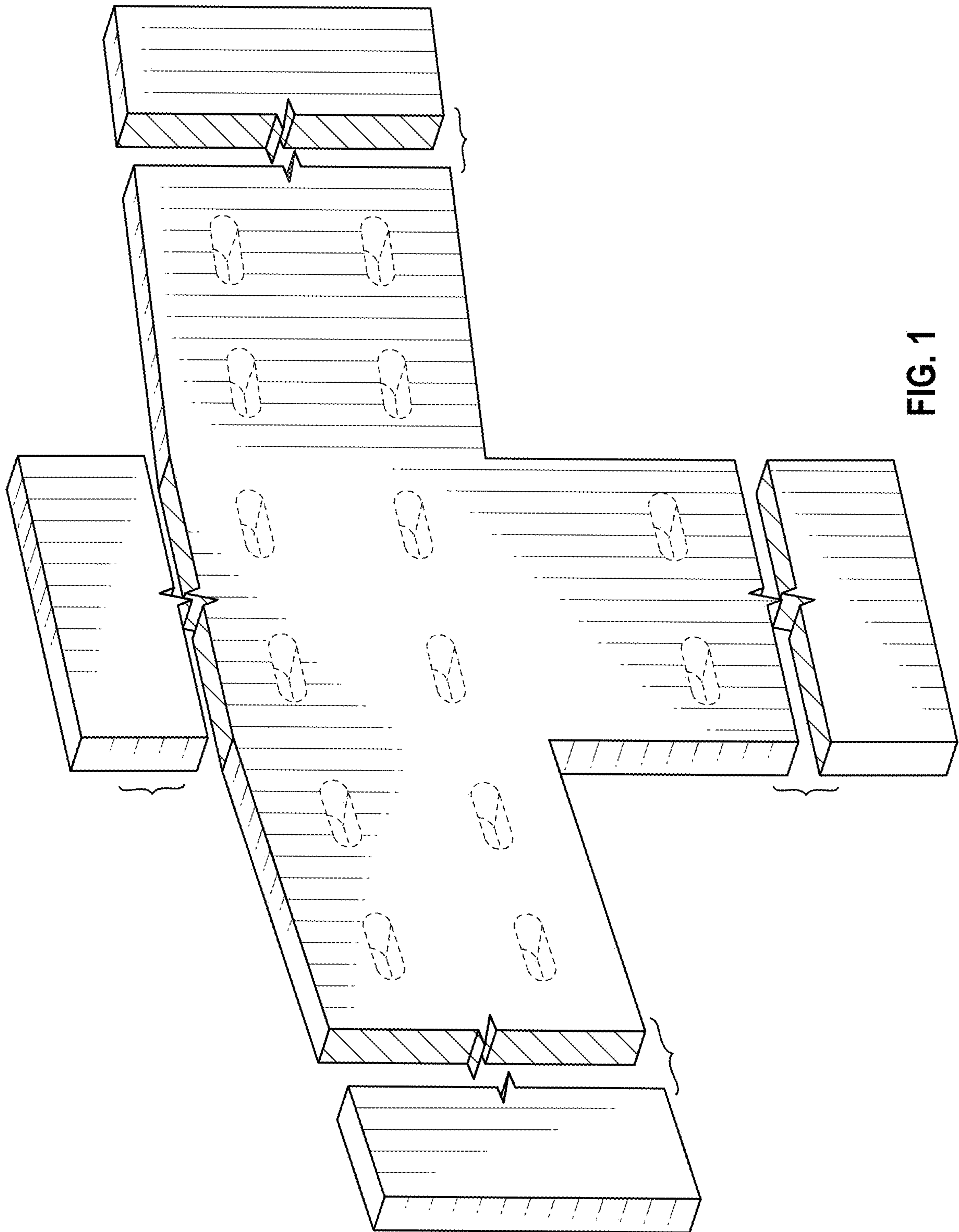


FIG. 1

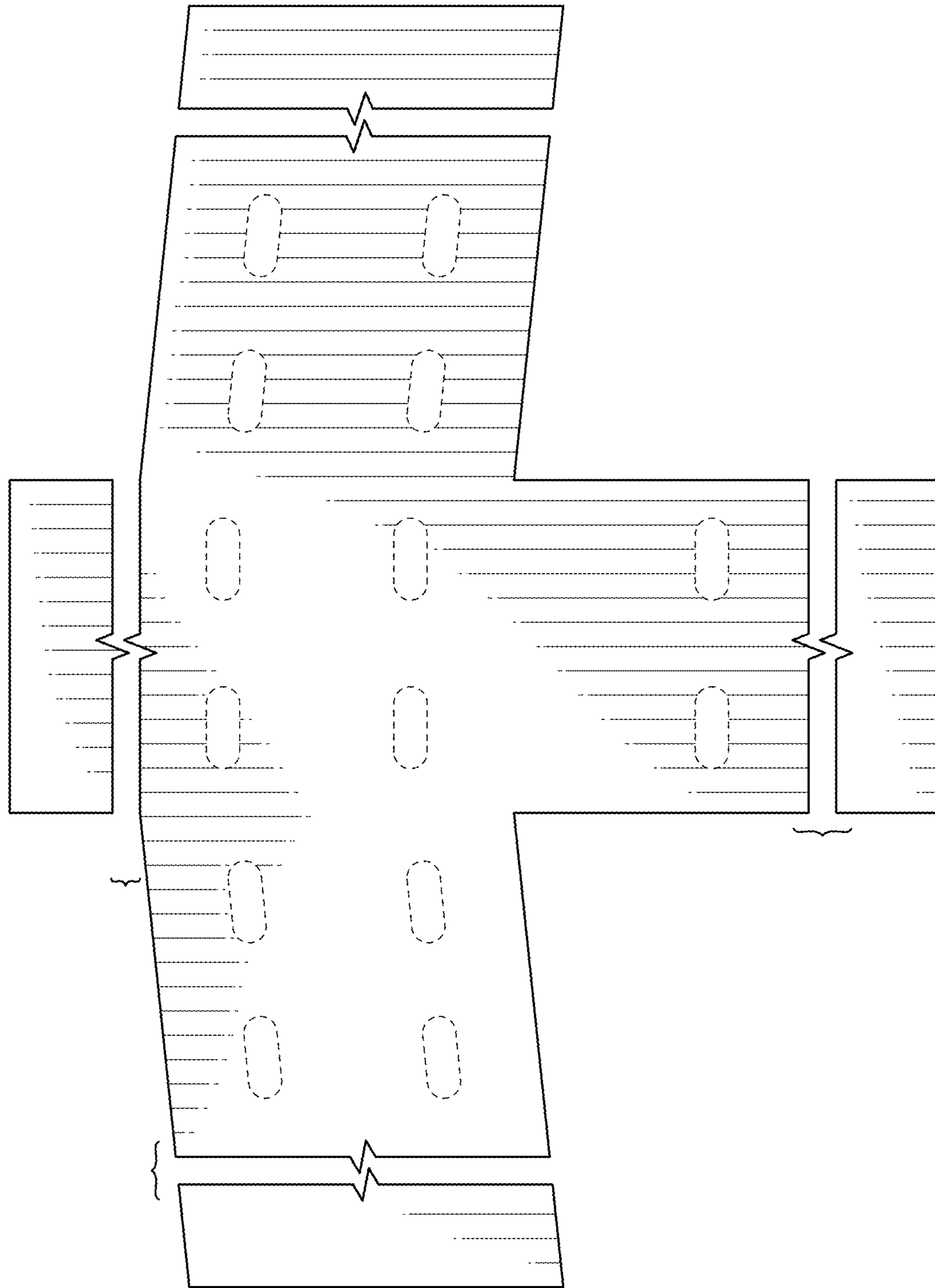


FIG. 2



FIG. 3



FIG. 4