



US00D902696S

(12) **United States Design Patent**
Bennett et al.

(10) **Patent No.:** **US D902,696 S**
(45) **Date of Patent:** **** Nov. 24, 2020**

- (54) **END TIP FOR A SHADE SYSTEM**
- (71) Applicant: **InPro Corporation**, Muskego, WI (US)
- (72) Inventors: **Matthew G. Bennett**, New Berlin, WI (US); **Calvin T. Rupnow**, Cedarburg, WI (US)
- (73) Assignee: **InPro Corporation**, Muskego, WI (US)
- (**) Term: **15 Years**
- (21) Appl. No.: **29/705,654**
- (22) Filed: **Sep. 13, 2019**
- (51) **LOC (12) Cl.** **08-05**
- (52) **U.S. Cl.**
USPC **D8/354**
- (58) **Field of Classification Search**
USPC D8/349, 353, 376, 382, 383, 499
CPC Y10T 403/55; A47H 1/142; A47H 1/022
See application file for complete search history.

- (56) **References Cited**
U.S. PATENT DOCUMENTS
D331,872 S * 12/1992 Maruko D8/376
5,758,854 A * 6/1998 Shih E04G 25/061
248/354.3
D485,742 S * 1/2004 Heberle D8/354
D549,085 S * 8/2007 Mevissen D8/376
7,628,363 B2 * 12/2009 Goldstein A47H 1/022
248/200.1
7,648,111 B2 * 1/2010 Goldstein A47H 1/022
248/261
D721,574 S * 1/2015 Doughty D8/400
D793,734 S * 8/2017 Liang D3/328
D801,792 S * 11/2017 Hunt D8/376
10,478,019 B2 * 11/2019 Pegden A47H 1/102

D892,403 S * 8/2020 Griffiths D28/9
10,743,700 B1 * 8/2020 Sayed A47H 1/102
2002/0139910 A1 * 10/2002 Shih E04G 25/065
248/200.1
2019/0358147 A1 * 11/2019 Griffiths A45D 33/00
* cited by examiner

Primary Examiner — Janice Hallmark
Assistant Examiner — Harold E Blackwell, II
(74) *Attorney, Agent, or Firm* — Reinhart Boerner Van Deuren s.c.

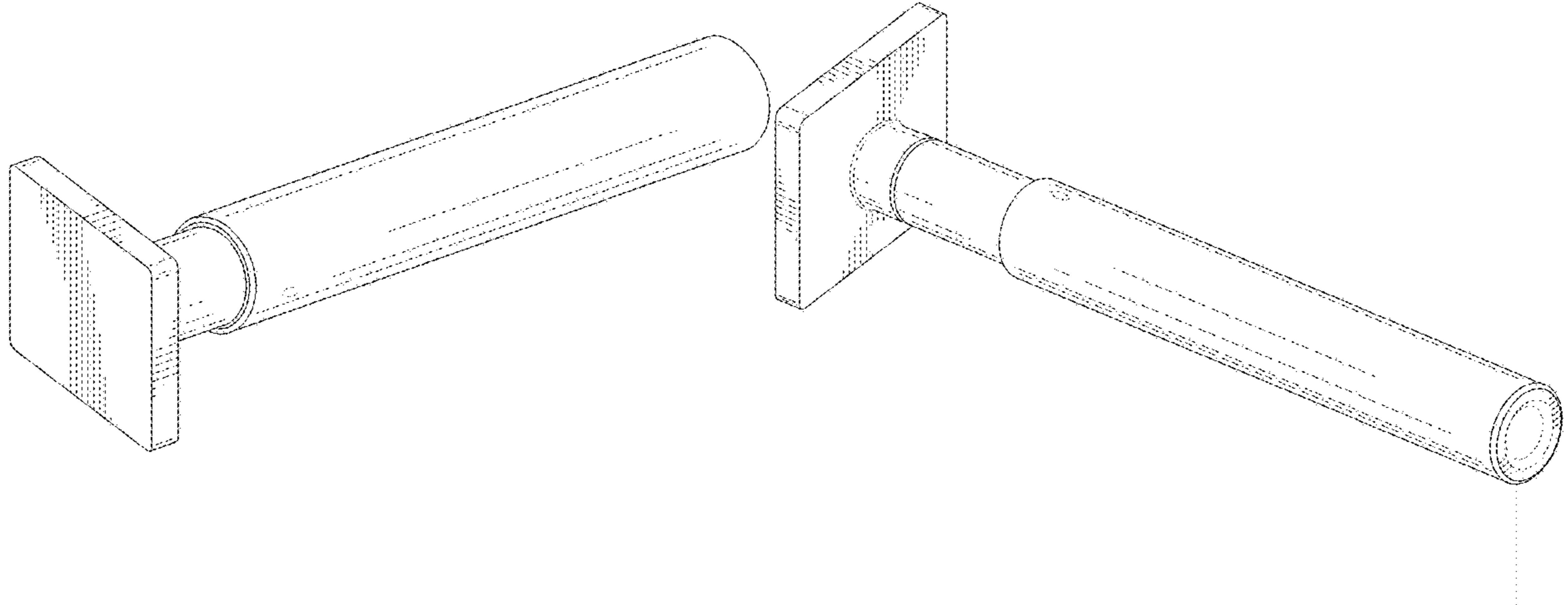
(57) **CLAIM**

We claim the ornamental design for an end tip for a shade system, as shown and described.

DESCRIPTION

FIG. 1 is a front perspective view of the end tip for a shade system;
FIG. 2 is a side view thereof;
FIG. 3 is another side view thereof rotated 90° from the view of FIG. 2;
FIG. 4 is another side view thereof rotated 90° from the view of FIG. 3;
FIG. 5 is another side view thereof rotated 90° from the view of FIG. 4;
FIG. 6 is a front view thereof;
FIG. 7 is a rear view thereof; and,
FIG. 8 is a rear perspective view thereof.
The broken lines in the drawings illustrate portions of the end tip for a shade system which form no part of the claimed design.

1 Claim, 5 Drawing Sheets



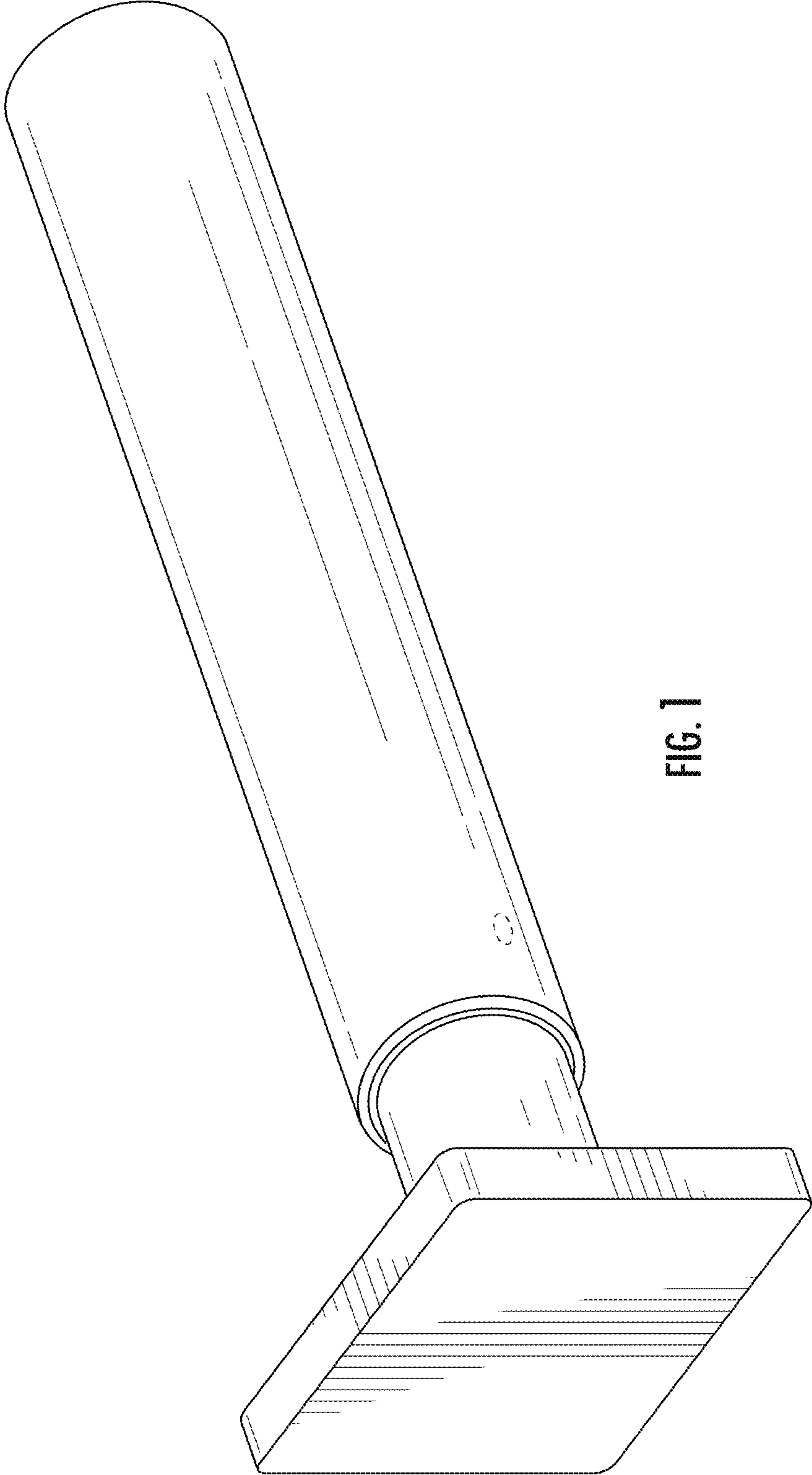


FIG. 1

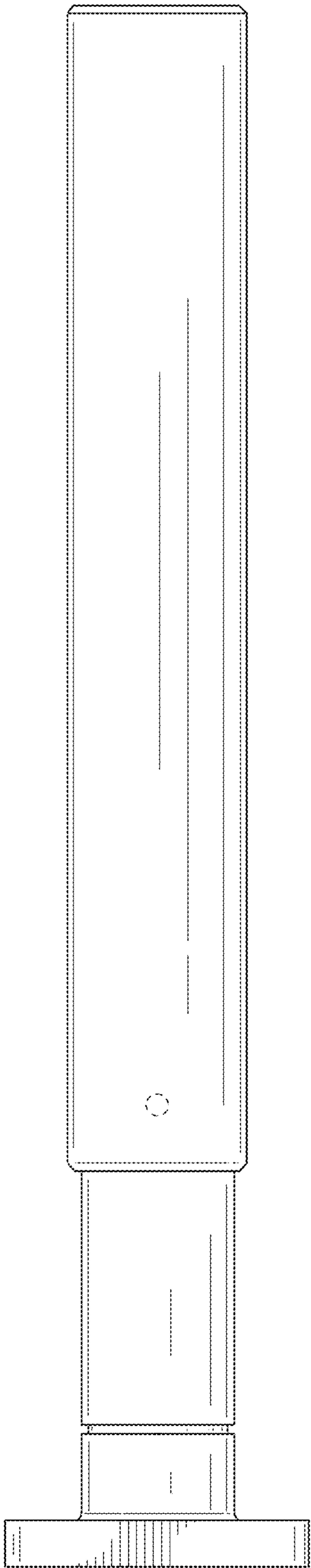


FIG. 2

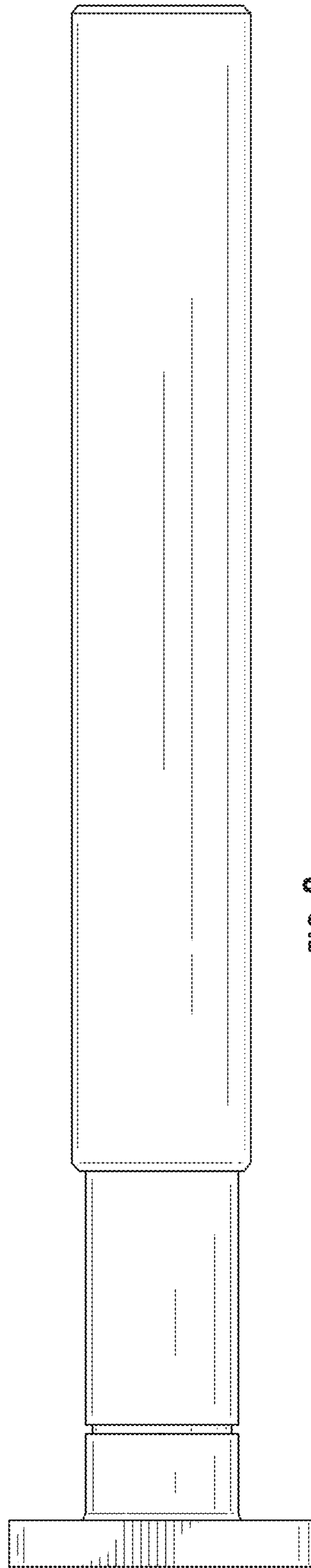


FIG. 3

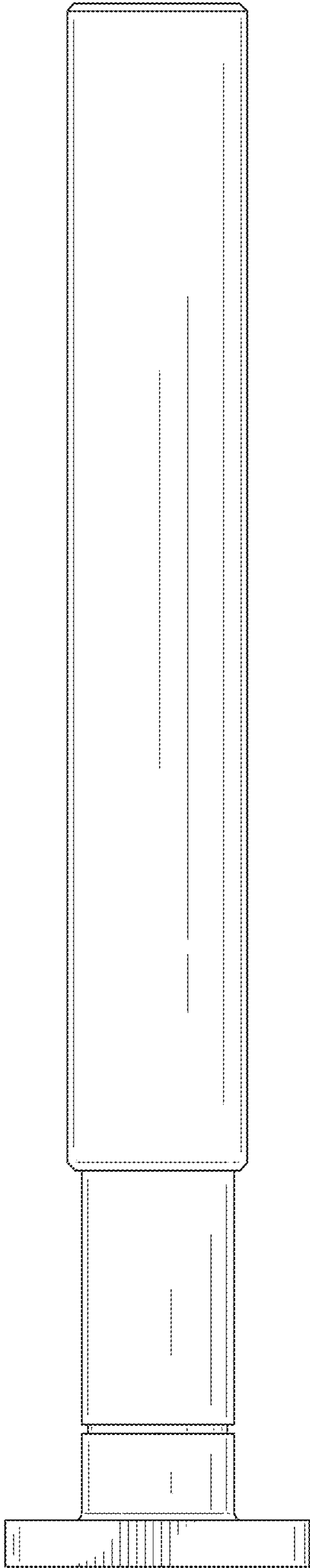


FIG. 4

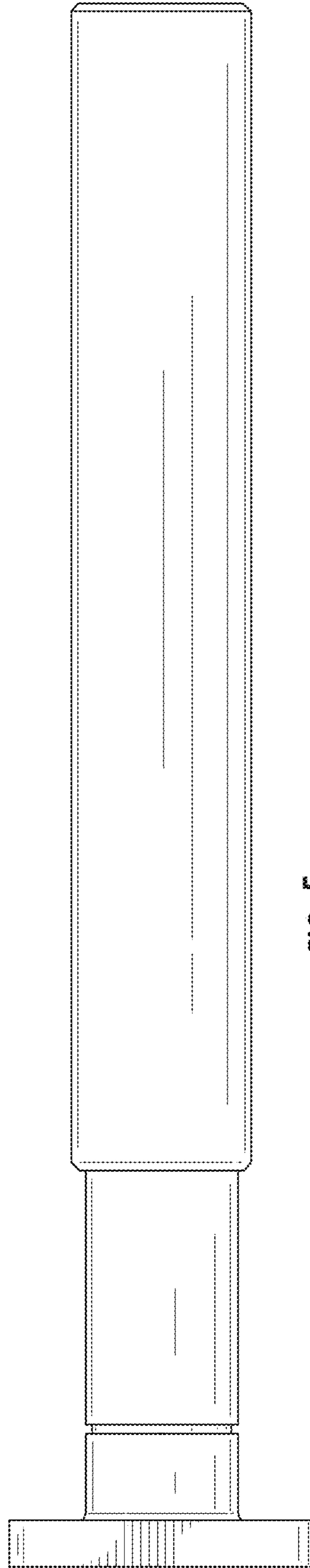


FIG. 5

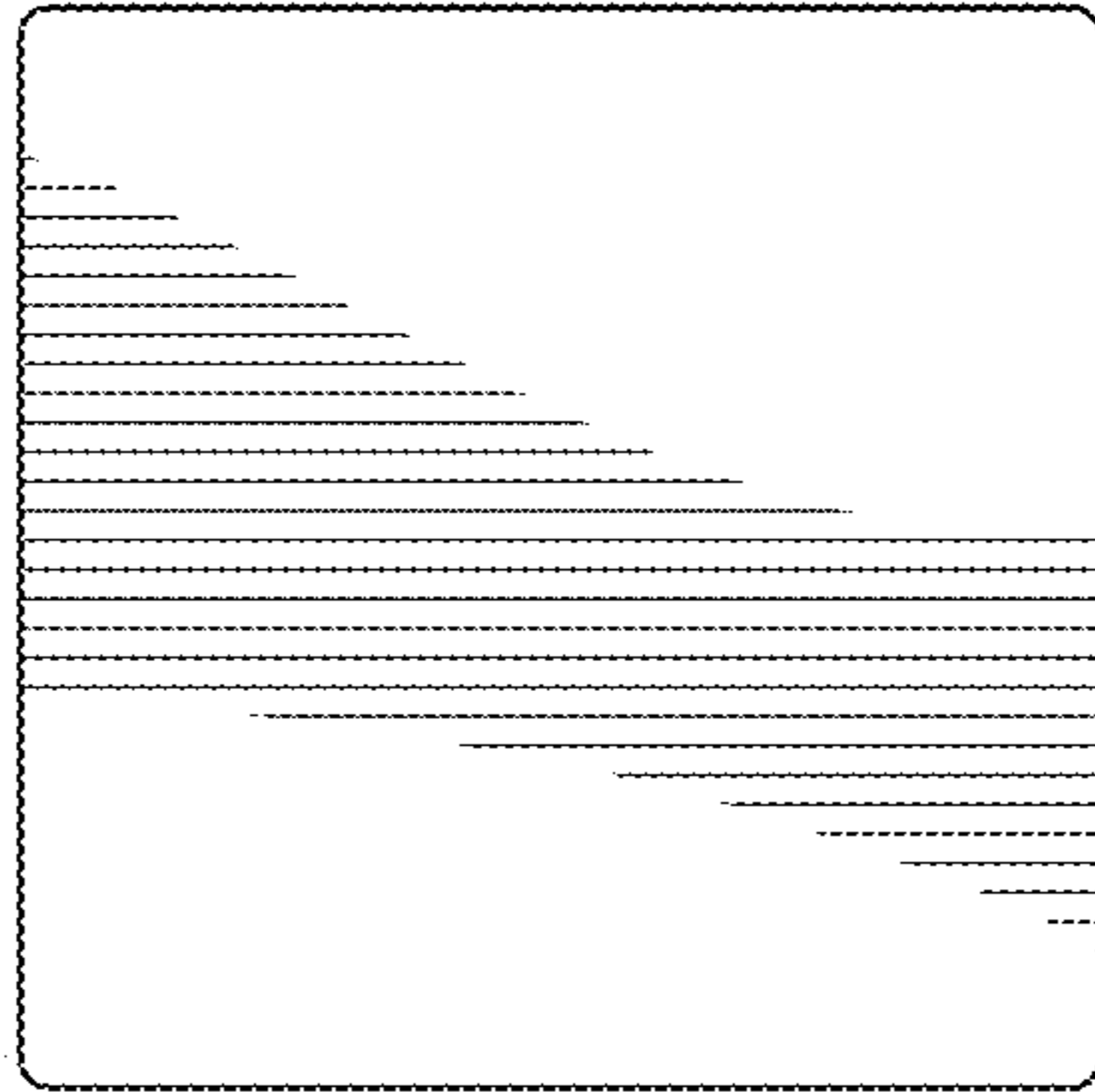


FIG. 6

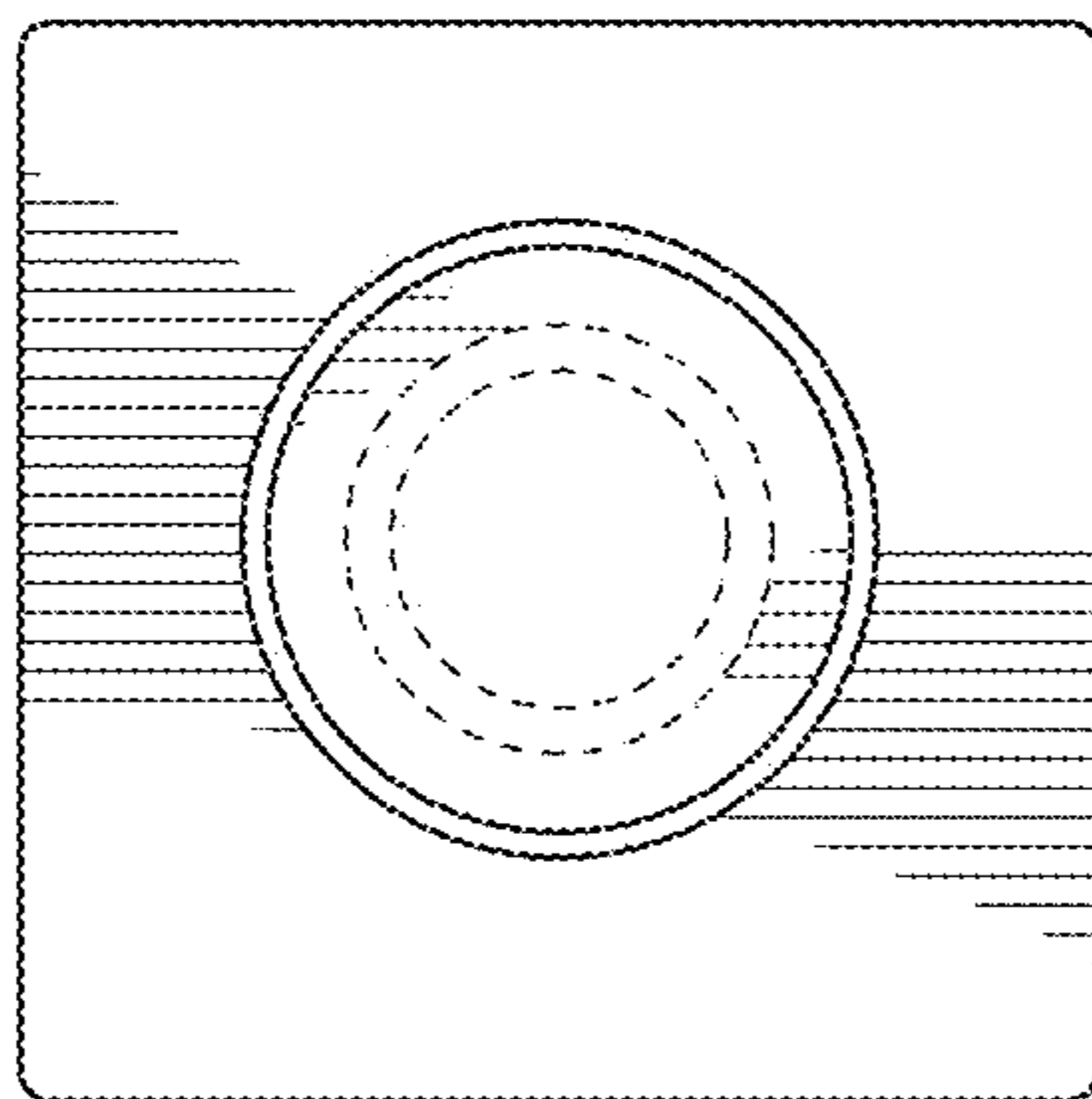


FIG. 7

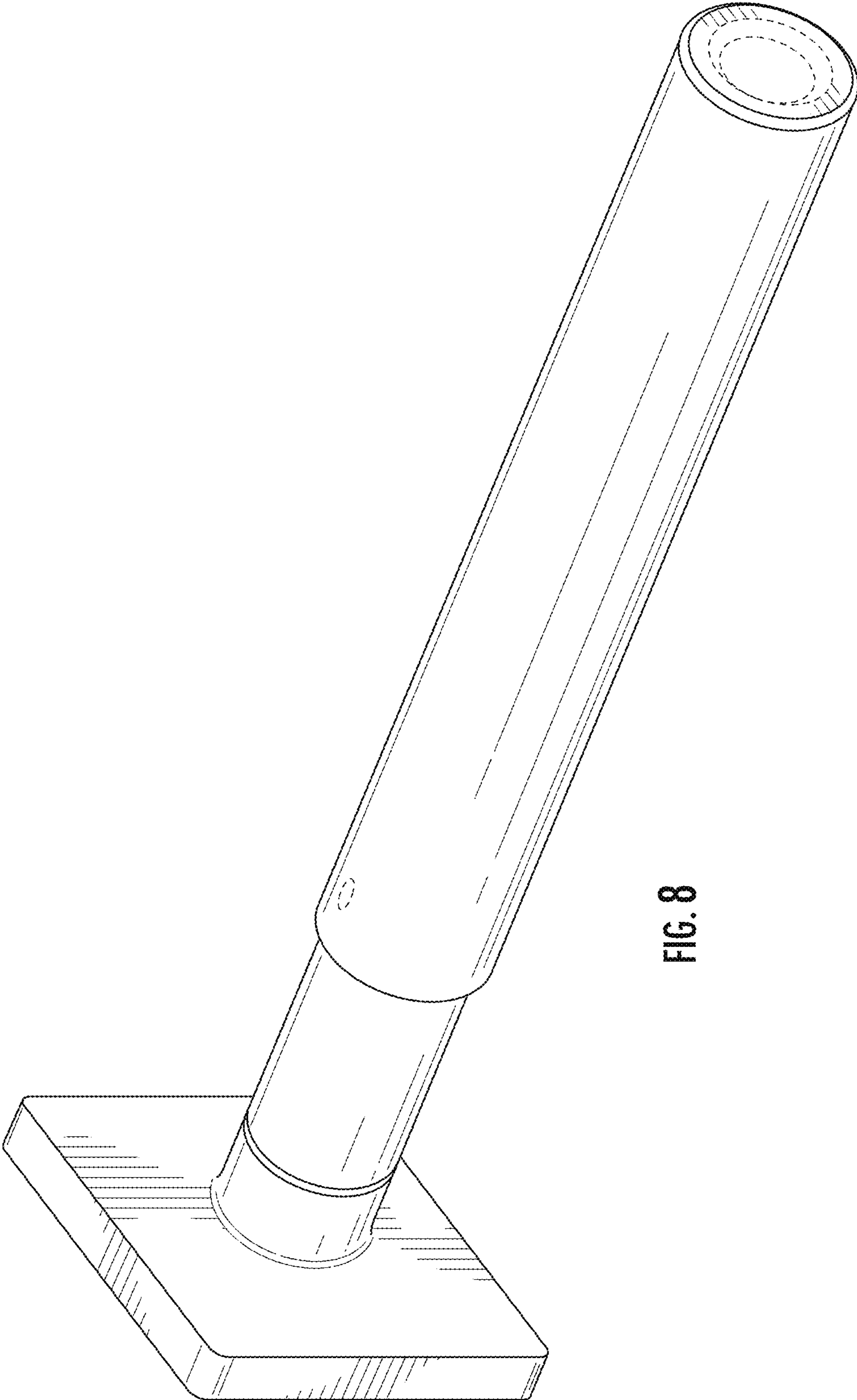


FIG. 8