



US00D902694S

(12) **United States Design Patent**
Freeman

(10) **Patent No.:** **US D902,694 S**

(45) **Date of Patent:** **** Nov. 24, 2020**

(54) **FOOD PAN SUPPORT RAIL BRACKET**

(71) Applicant: **Cambro Manufacturing Company**,
Huntington Beach, CA (US)

(72) Inventor: **Ernest F. Freeman**, Garden Grove, CA
(US)

(73) Assignee: **CAMBRO MANUFACTURING
COMPANY**, Huntington Beach, CA
(US)

(**) Term: **15 Years**

(21) Appl. No.: **29/704,511**

(22) Filed: **Sep. 5, 2019**

(51) **LOC (12) Cl.** **08-08**

(52) **U.S. Cl.**
USPC **D8/349**

(58) **Field of Classification Search**
USPC D8/349, 354, 382, 350-353, 355, 363,
D8/373-377; D11/200, 212, 218, 219,
D11/231, 234, 87; D14/217, 239
CPC ... F16C 11/0695; F16C 11/0604; F16C 11/06;
F16C 11/0685; F16M 2200/024; F16B
5/0657; F16B 5/0664; F16B 21/09; F16B
45/00; H04B 1/3877; G06F 1/1632;
H04M 1/06

See application file for complete search history.

(56) **References Cited**

U.S. PATENT DOCUMENTS

D236,251 S * 8/1975 Cunningham D8/354
D443,499 S * 6/2001 Gretz D8/349

D511,960 S * 11/2005 Ogino D8/354
D668,531 S * 10/2012 Ito D8/373
D682,069 S * 5/2013 Lehane D8/354
D734,654 S * 7/2015 Geiger D8/354
D819,604 S * 6/2018 Bristol D14/217
D856,786 S * 8/2019 Stapleton D8/382
D889,941 S * 7/2020 McCoy D8/354
D892,599 S * 8/2020 Witherbee D8/354
D894,256 S * 8/2020 Vitale D16/242

* cited by examiner

Primary Examiner — Mark A Goodwin

Assistant Examiner — Benjamin M Weeks

(74) *Attorney, Agent, or Firm* — George Bethel

(57) **CLAIM**

The ornamental design for a food pan support rail bracket,
as shown and described.

DESCRIPTION

FIG. 1 is a right side perspective view of the food pan
support rail bracket.

FIG. 2 is a front elevation view thereof.

FIG. 3 is a top plan view thereof.

FIG. 4 is a right side elevation view thereof.

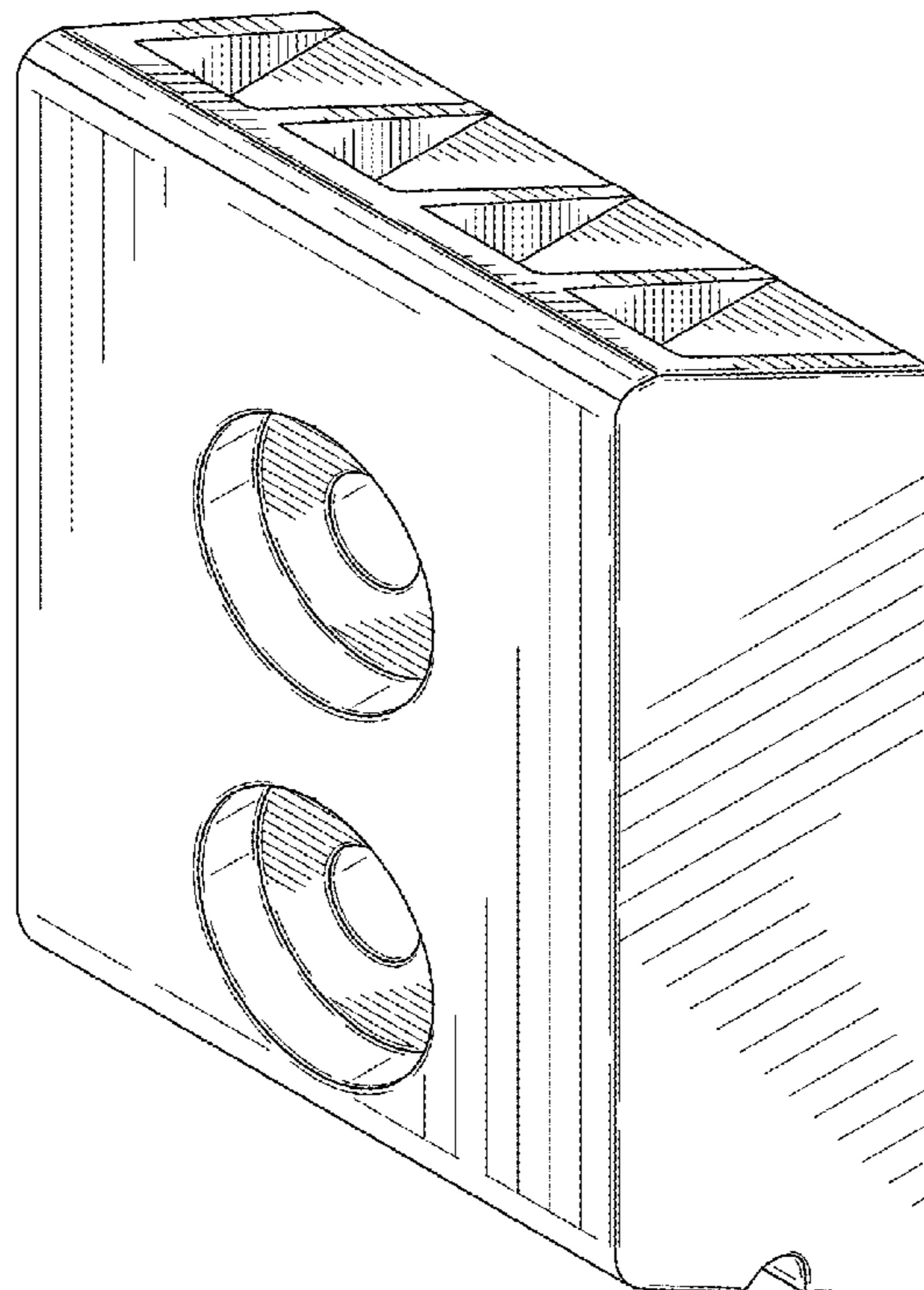
FIG. 5 is a left side elevation view thereof.

FIG. 6 is a rear elevation view thereof.

FIG. 7 is a bottom view thereof; and,

FIG. 8 is a rear perspective view thereof.

1 Claim, 4 Drawing Sheets



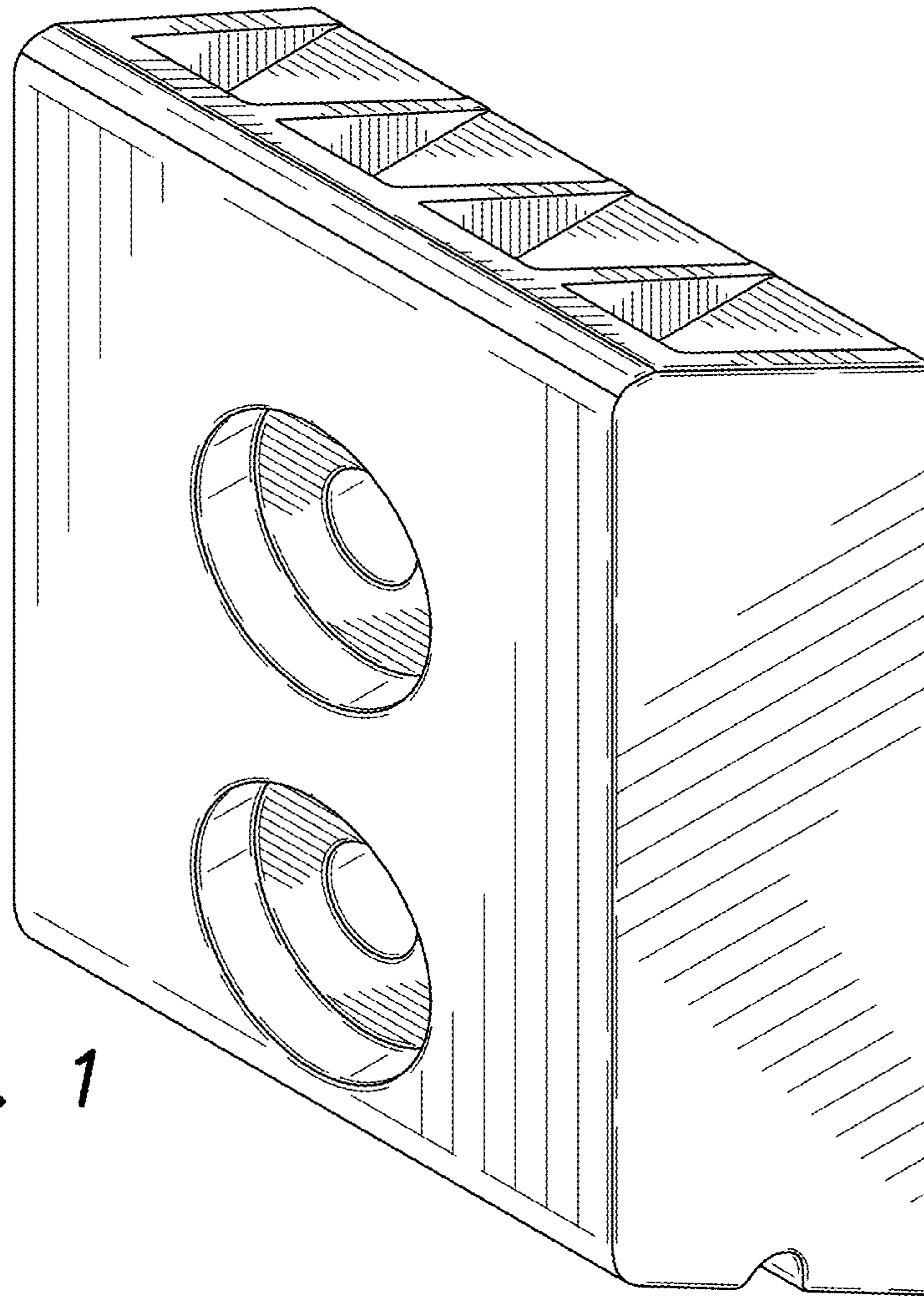


FIG. 1

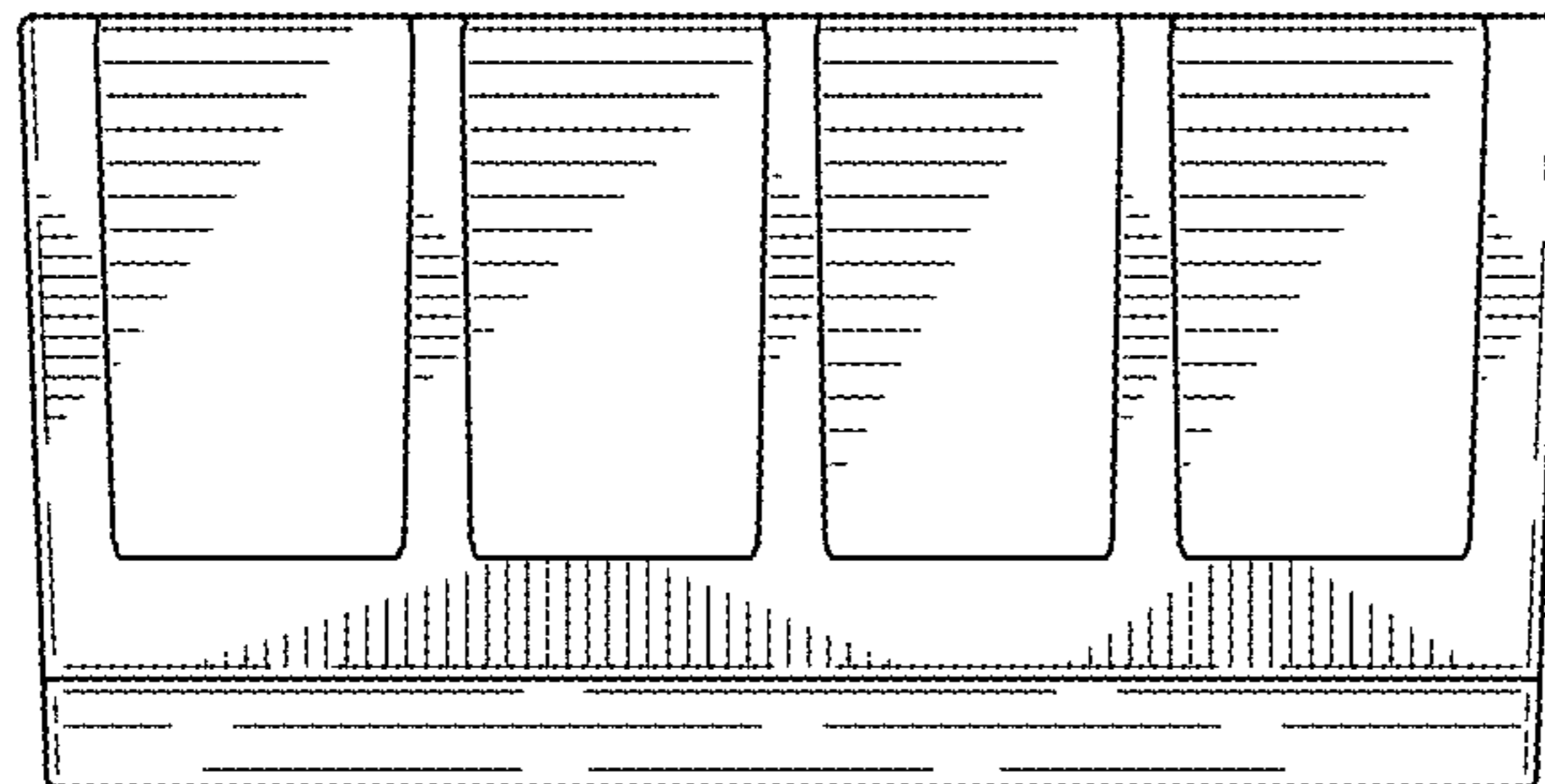


FIG. 3

FIG. 2

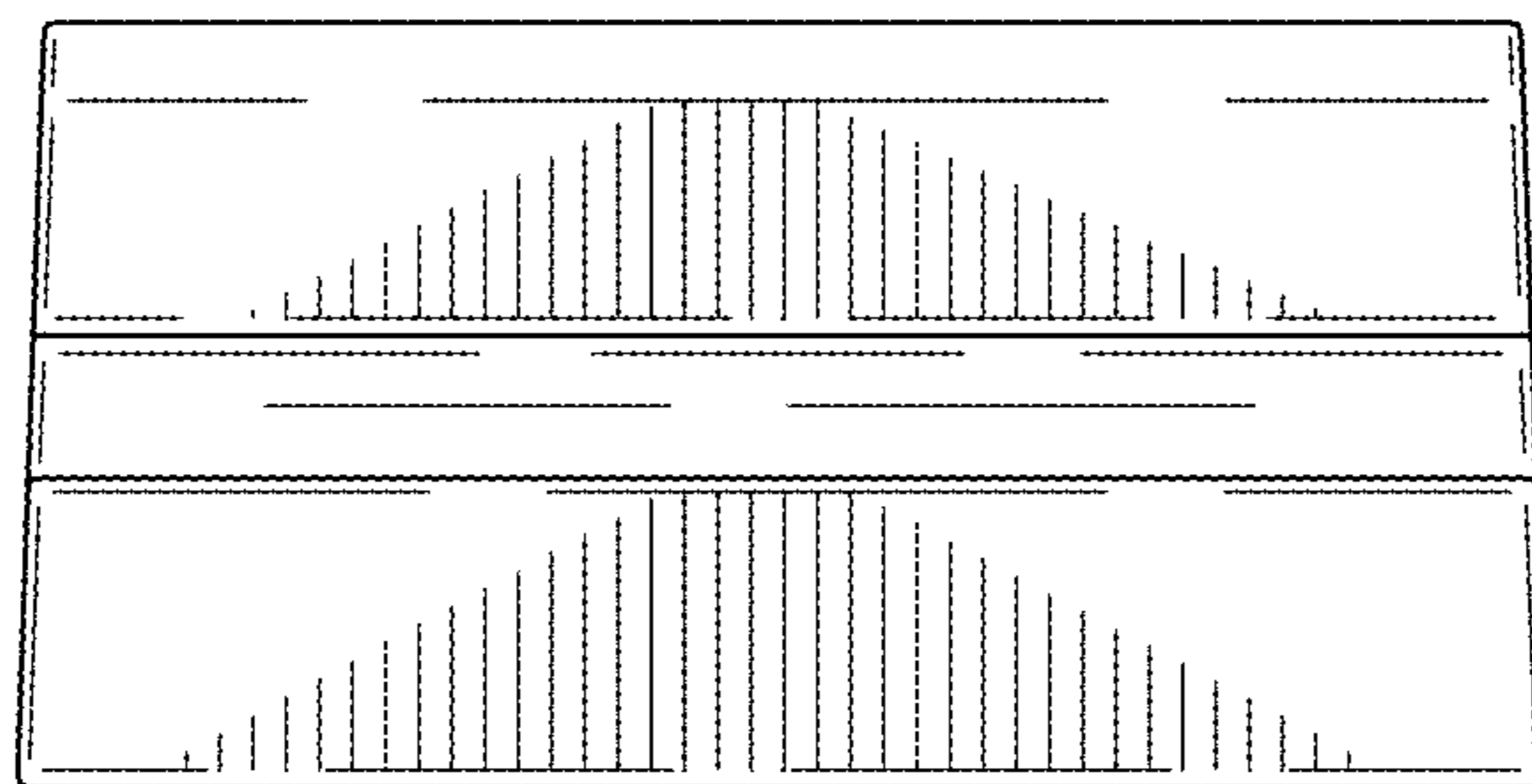
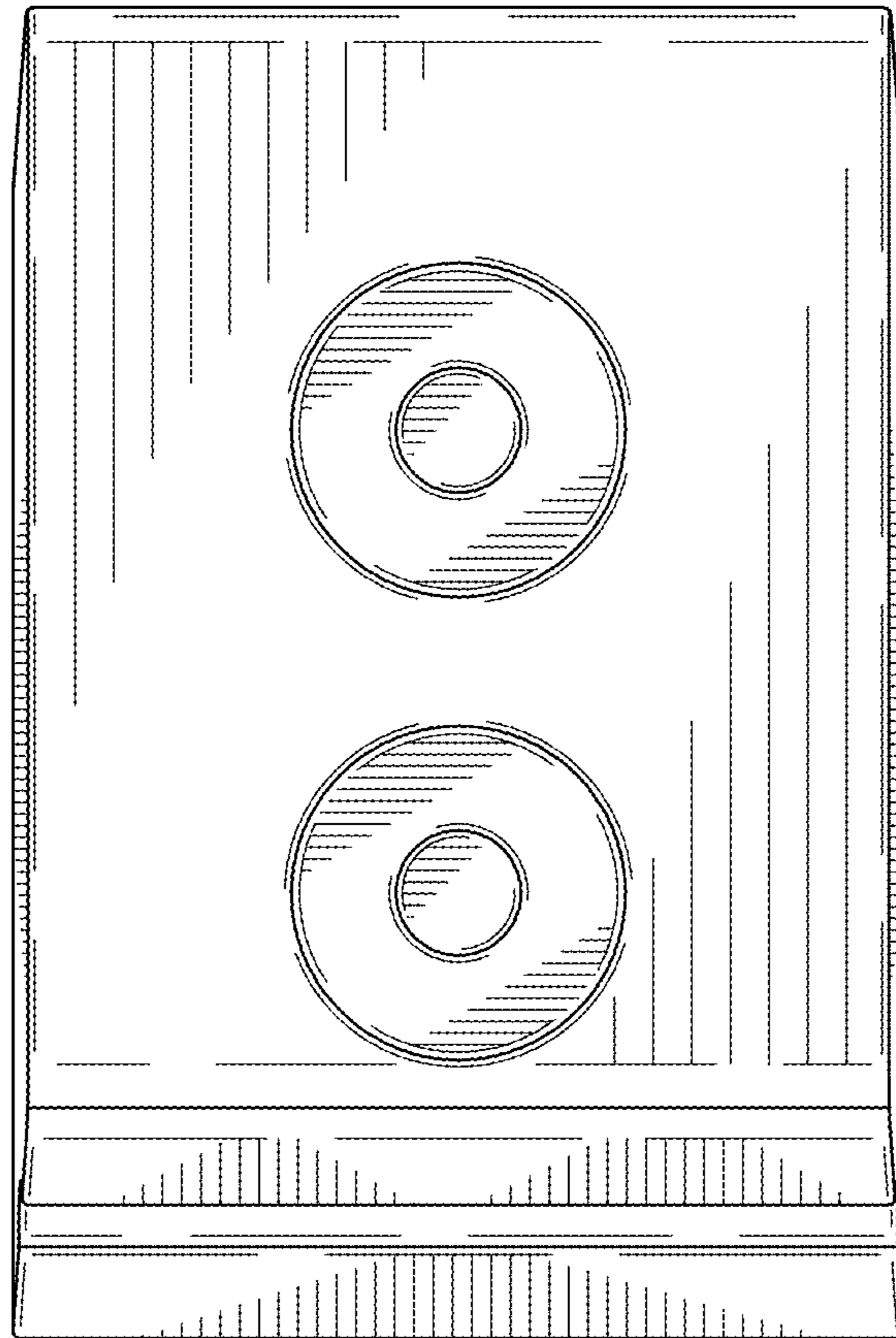


FIG. 7

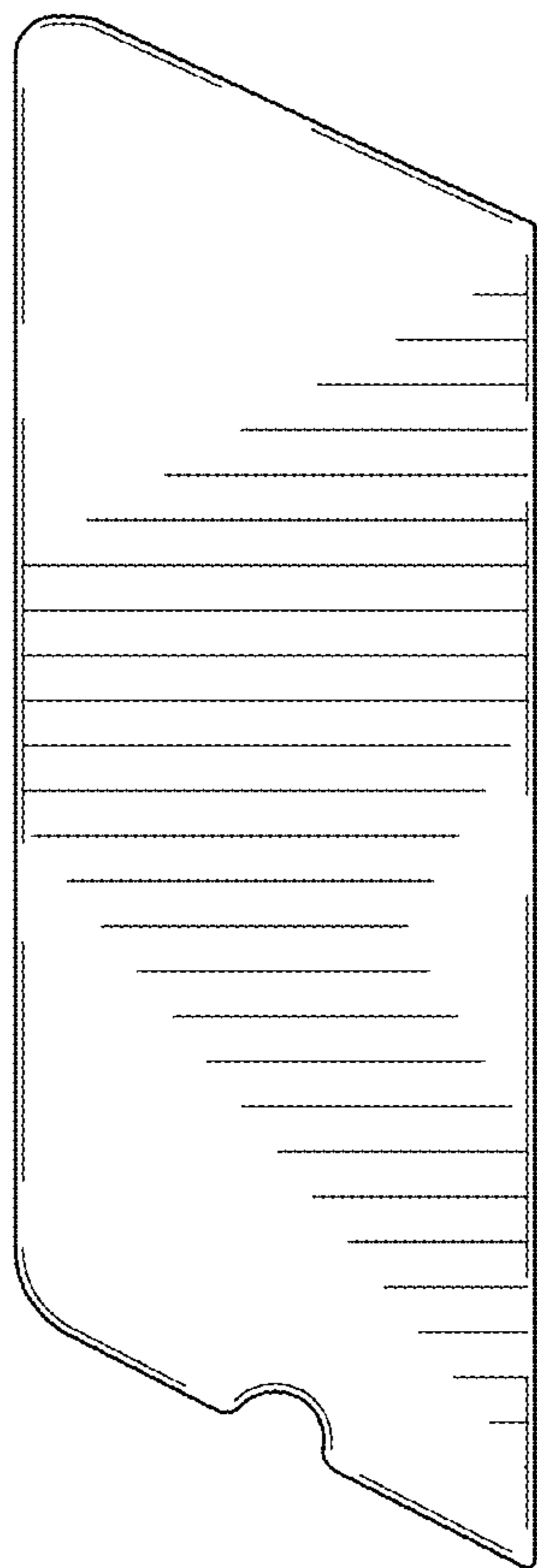


FIG. 4

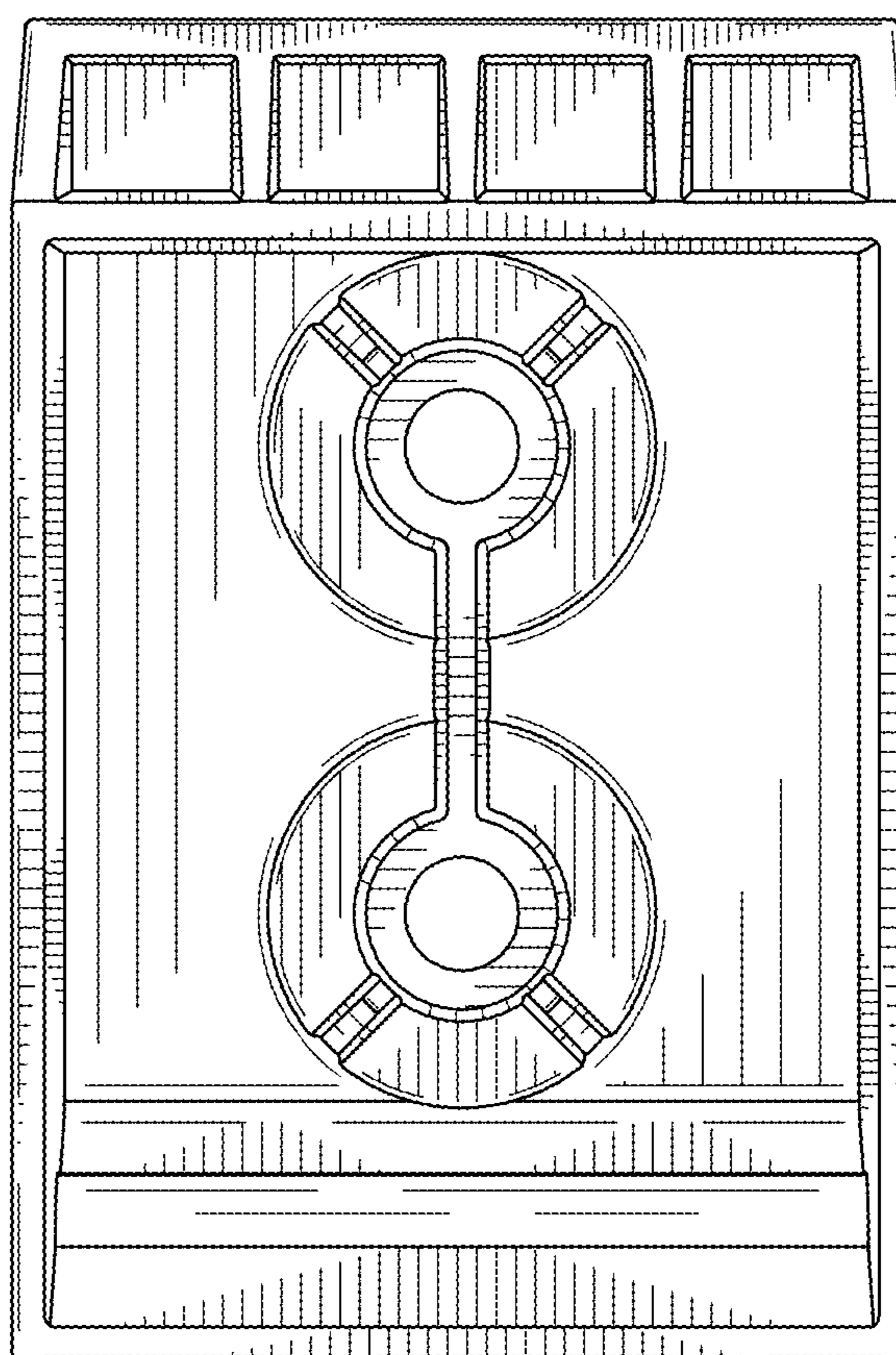


FIG. 6

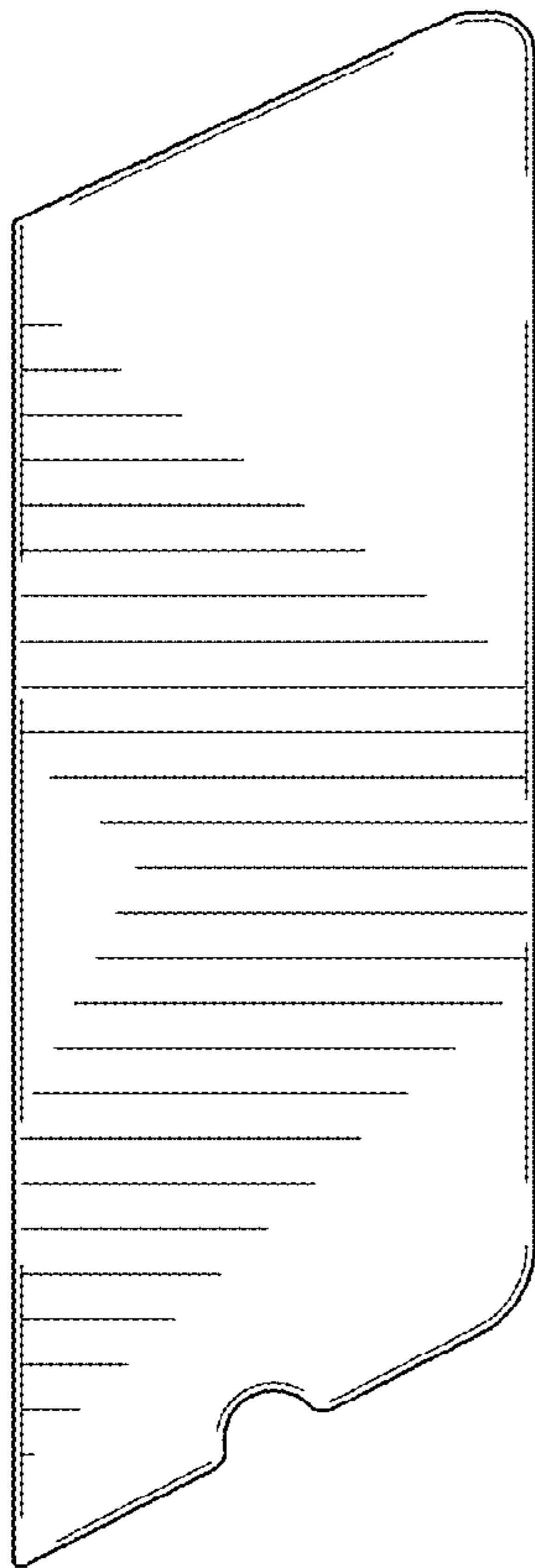


FIG. 5

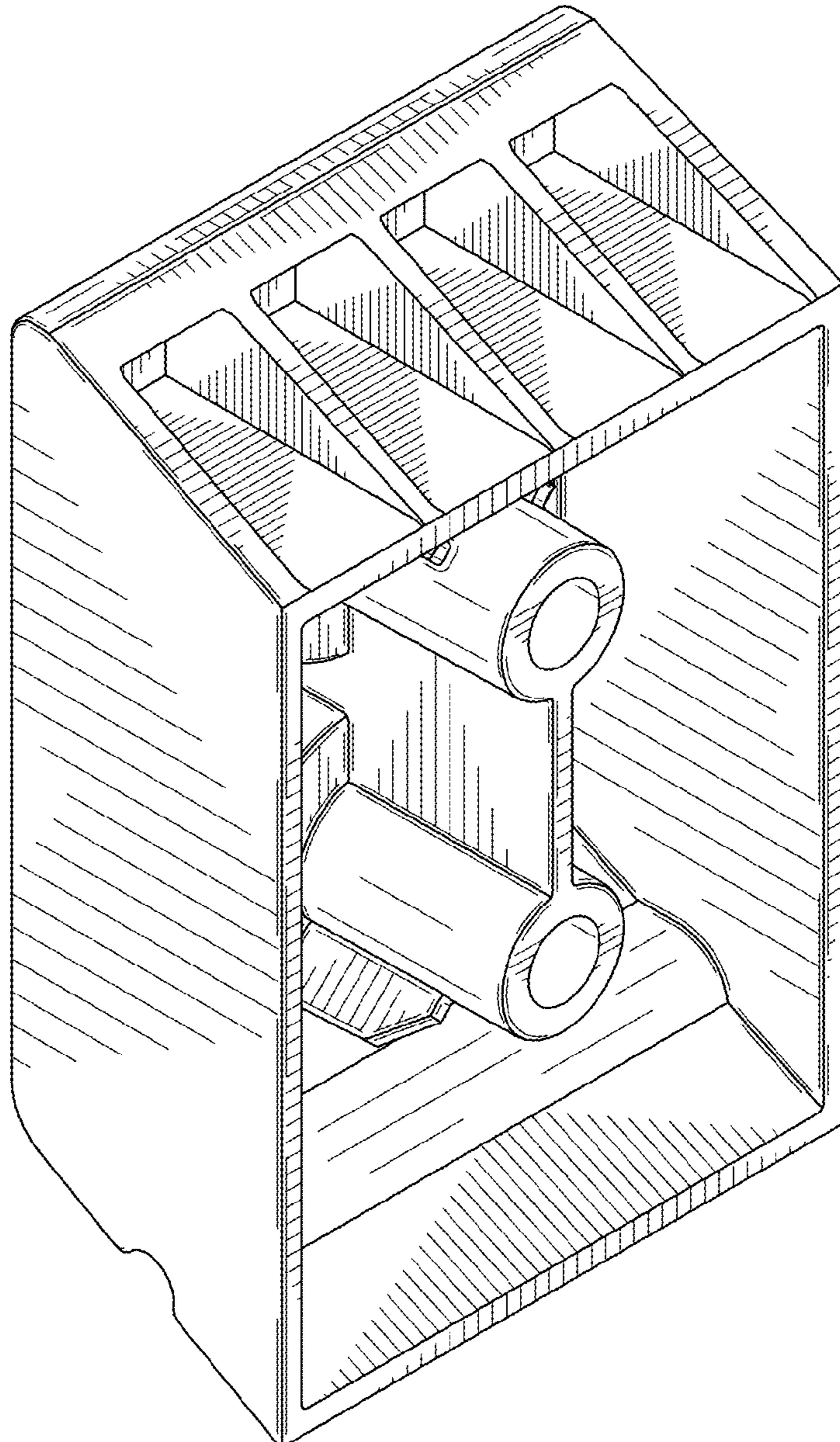


FIG. 8