



US00D902691S

(12) **United States Design Patent** (10) **Patent No.:** **US D902,691 S**
Lai (45) **Date of Patent:** **** Nov. 24, 2020**

- (54) **COMBINATION PADLOCK**
- (71) Applicant: **The Sun Lock Company Limited,**
Tuen Mun (HK)
- (72) Inventor: **Karl Lai, Tai Po (HK)**
- (73) Assignee: **The Sun Lock Company Limited,**
Hong Kong (HK)
- (**) Term: **15 Years**
- (21) Appl. No.: **29/707,781**
- (22) Filed: **Oct. 1, 2019**
- (51) **LOC (12) Cl.** **08-07**
- (52) **U.S. Cl.**
USPC **D8/334**
- (58) **Field of Classification Search**
USPC D8/334, 336
CPC E05B 37/00; E05B 37/025; E05B 67/063;
E05B 67/22; E05B 2067/066
See application file for complete search history.

7,140,209 B2	11/2006	Lai	
7,225,648 B2	6/2007	Lai	
D548,043 S *	8/2007	Yang	D8/334
7,467,531 B2	12/2008	Lai et al.	
D592,934 S *	5/2009	Yang	D8/334
7,562,545 B2	7/2009	Lai et al.	
7,685,851 B2	3/2010	Lai	
7,765,840 B2	8/2010	Lai et al.	
D639,635 S *	6/2011	Kemppainen	D8/334
8,096,150 B2	1/2012	Lai et al.	
8,261,583 B2	9/2012	Lai et al.	
D688,113 S *	8/2013	Schmidt	D8/334
8,511,118 B2	8/2013	Lai et al.	
D696,925 S *	1/2014	Kemppainen	D8/334
8,661,861 B2	3/2014	Lai	
D703,024 S *	4/2014	Paulson	D8/334
8,776,556 B2	7/2014	Lai	
8,826,703 B2 *	9/2014	Lai	E05B 37/025 70/22

(Continued)

Primary Examiner — Doris Clark
(74) *Attorney, Agent, or Firm* — Ware, Fressola, Maguire & Barber LLP

(57) **CLAIM**

The ornamental design for a combination padlock, as shown and described.

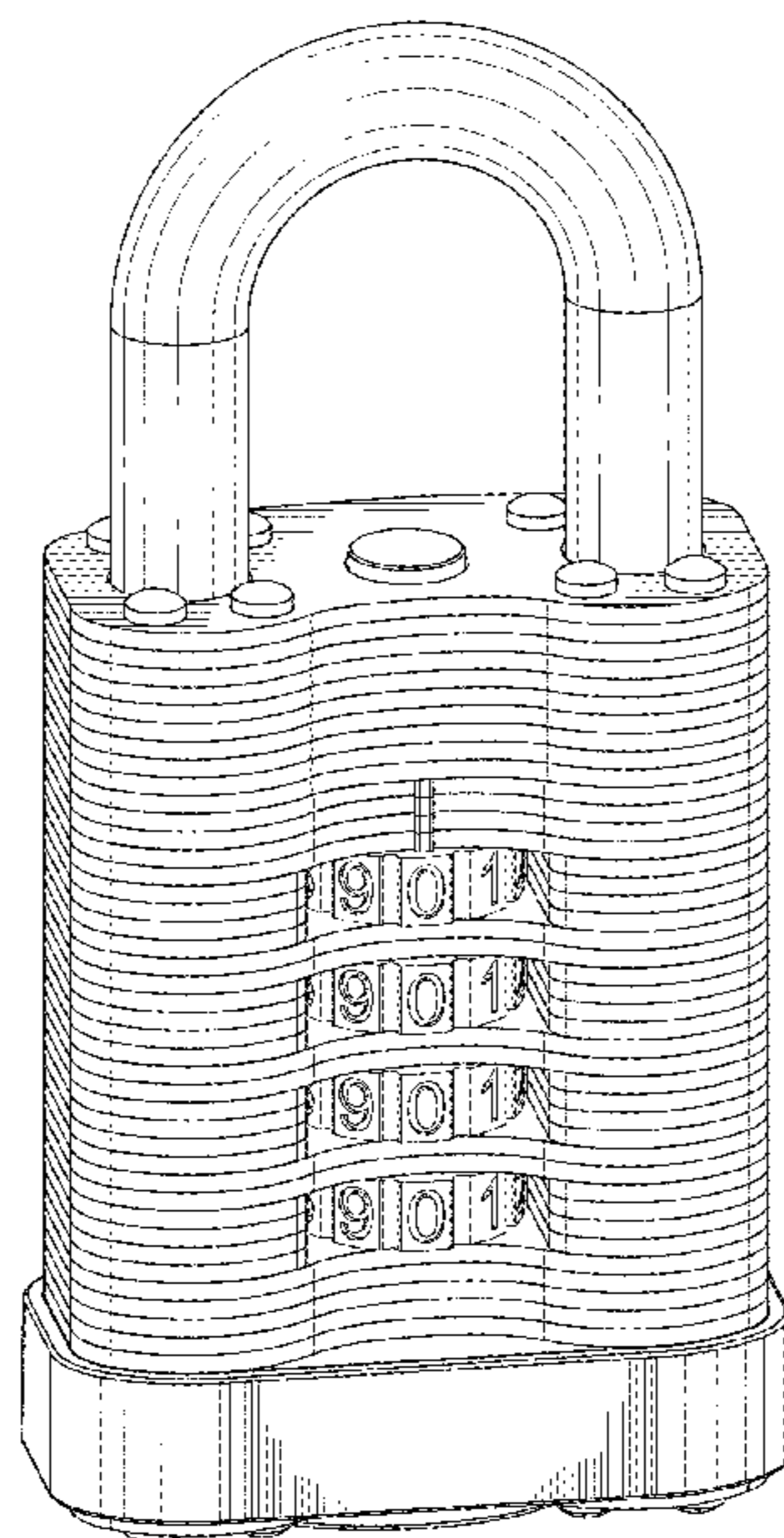
DESCRIPTION

FIG. 1 is a front view of a combination padlock showing my new design.
FIG. 2 is a back view thereof.
FIG. 3 is a right side view thereof.
FIG. 4 is a left-side view thereof.
FIG. 5 is a top view thereof.
FIG. 6 is a bottom view thereof.
FIG. 7 is a front perspective view thereof.
FIG. 8 is a front perspective view thereof with a bottom band removed; and,
FIG. 9 is a bottom perspective view.

1 Claim, 9 Drawing Sheets

(56) **References Cited**
U.S. PATENT DOCUMENTS

5,175,709 A	12/1992	Slayton et al.
6,092,481 A	2/2000	Lai
6,035,672 A	3/2000	Lai
6,164,096 A	12/2000	Lai
D439,824 S	4/2001	Lai
D439,825 S	4/2001	Lai
6,408,660 B1	6/2002	Lai
6,474,116 B1	11/2002	Lai
D472,790 S	4/2003	Lai
6,675,614 B2	1/2004	Lai
6,729,166 B1	5/2004	Lai
6,742,366 B1	6/2004	Lai
D498,132 S	11/2004	Lai
6,883,355 B2	4/2005	Lai
D511,673 S	11/2005	Lai



(56)

References Cited

U.S. PATENT DOCUMENTS

8,919,155	B2	12/2014	Lai	
8,931,313	B2	1/2015	Lai	
9,121,196	B2 *	9/2015	McDaid E05B 37/10
9,206,625	B2	12/2015	Lai	
9,228,376	B2	1/2016	Lai	
D761,636	S *	7/2016	Little D8/334
9,464,460	B2 *	10/2016	Lai E05B 37/14
9,487,969	B2	11/2016	Lai	
D789,174	S	6/2017	Lai	
9,556,560	B2	10/2017	Lai	
9,803,398	B2	10/2017	Lai	
9,890,559	B2	2/2018	Lai	
10,047,541	B2	8/2018	Lai	
10,221,591	B2	3/2019	Lai	
D864,695	S	10/2019	Lai	
10,443,272	B2	10/2019	Lai	

* cited by examiner

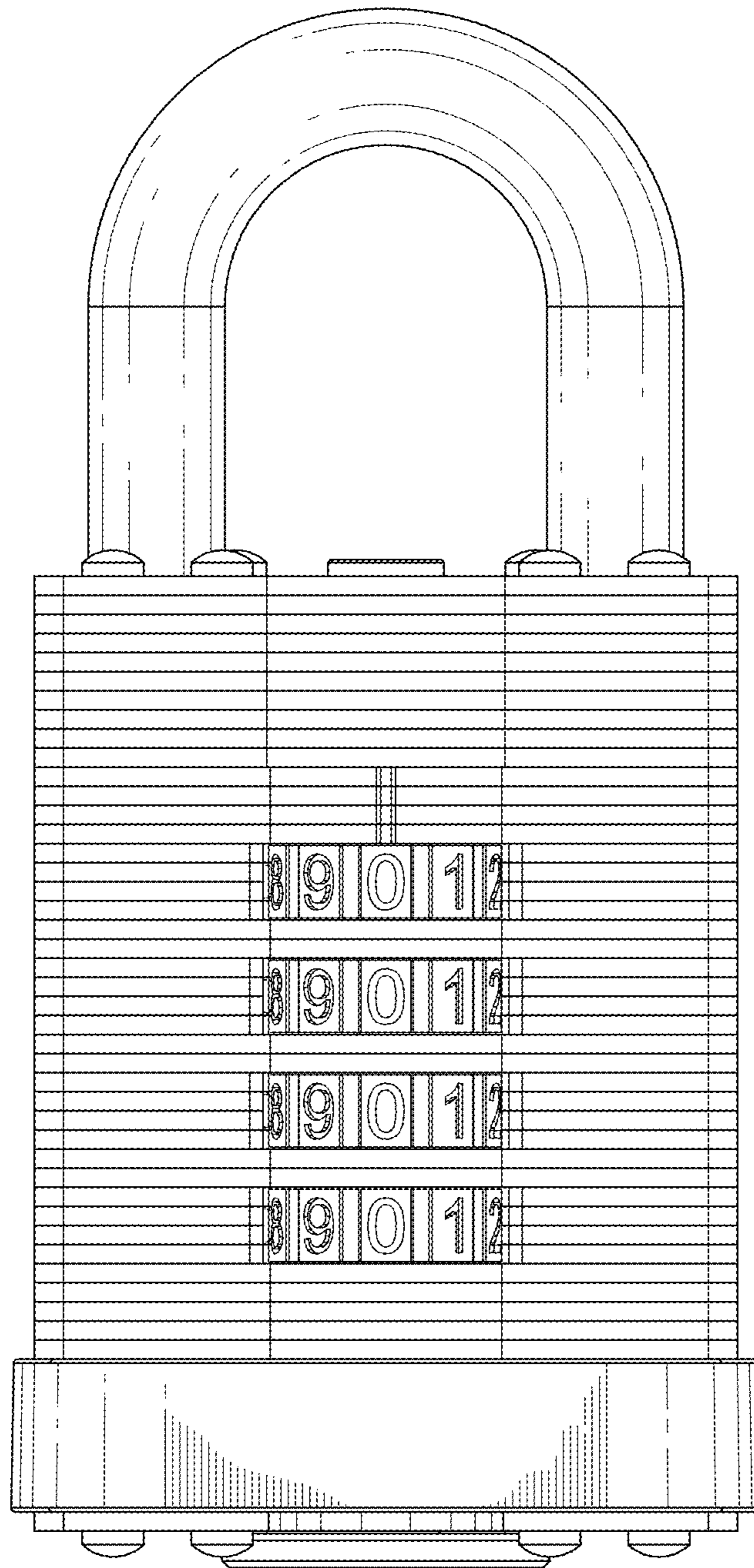


FIG. 1

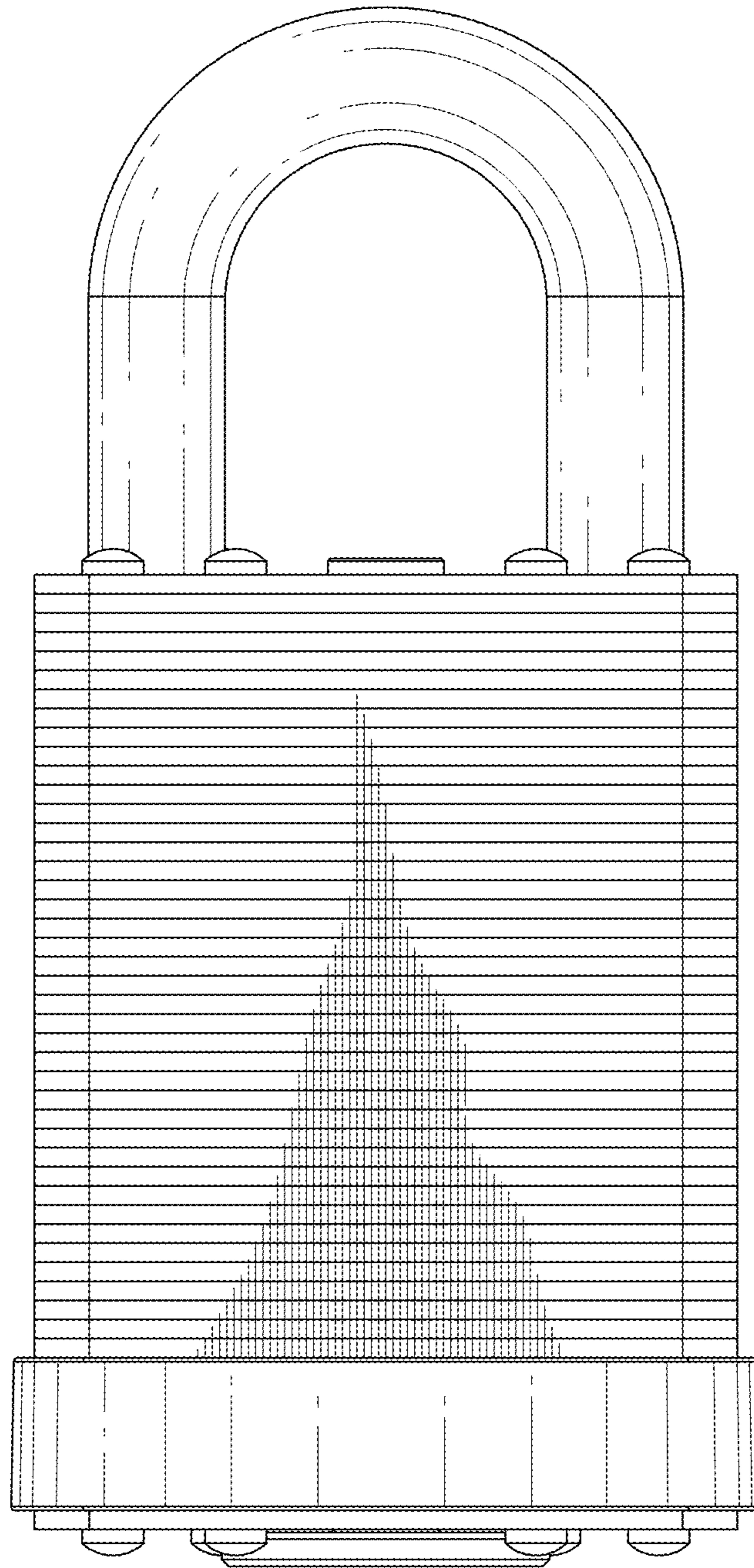


FIG. 2

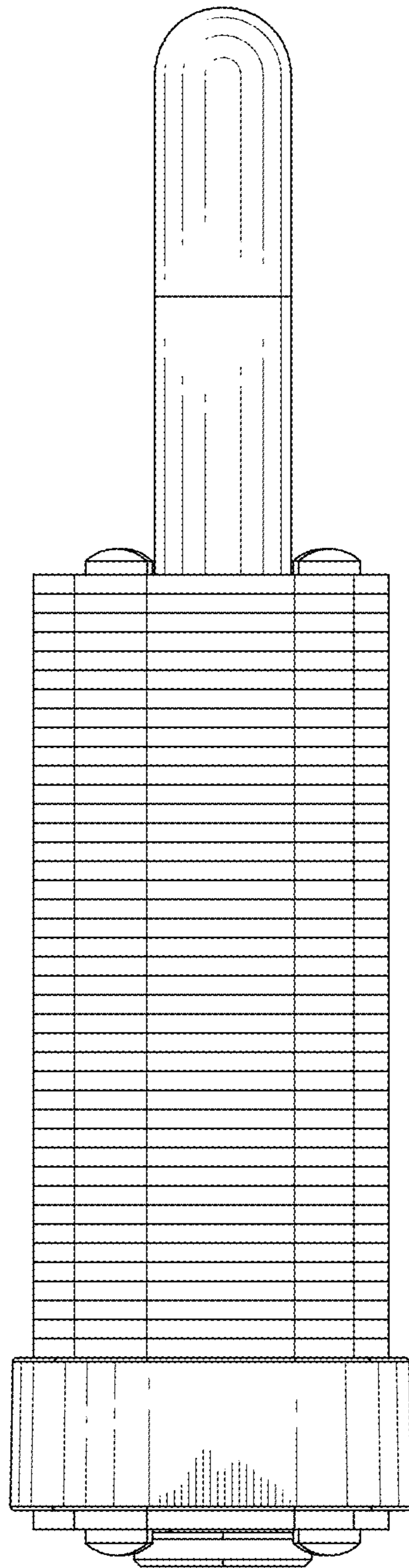


FIG. 3

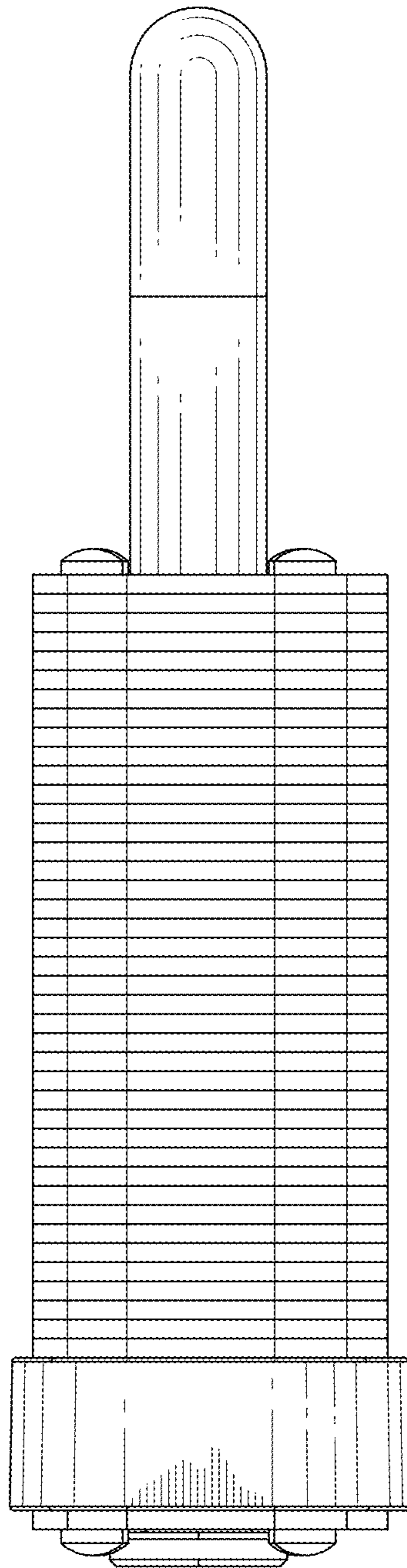


FIG. 4

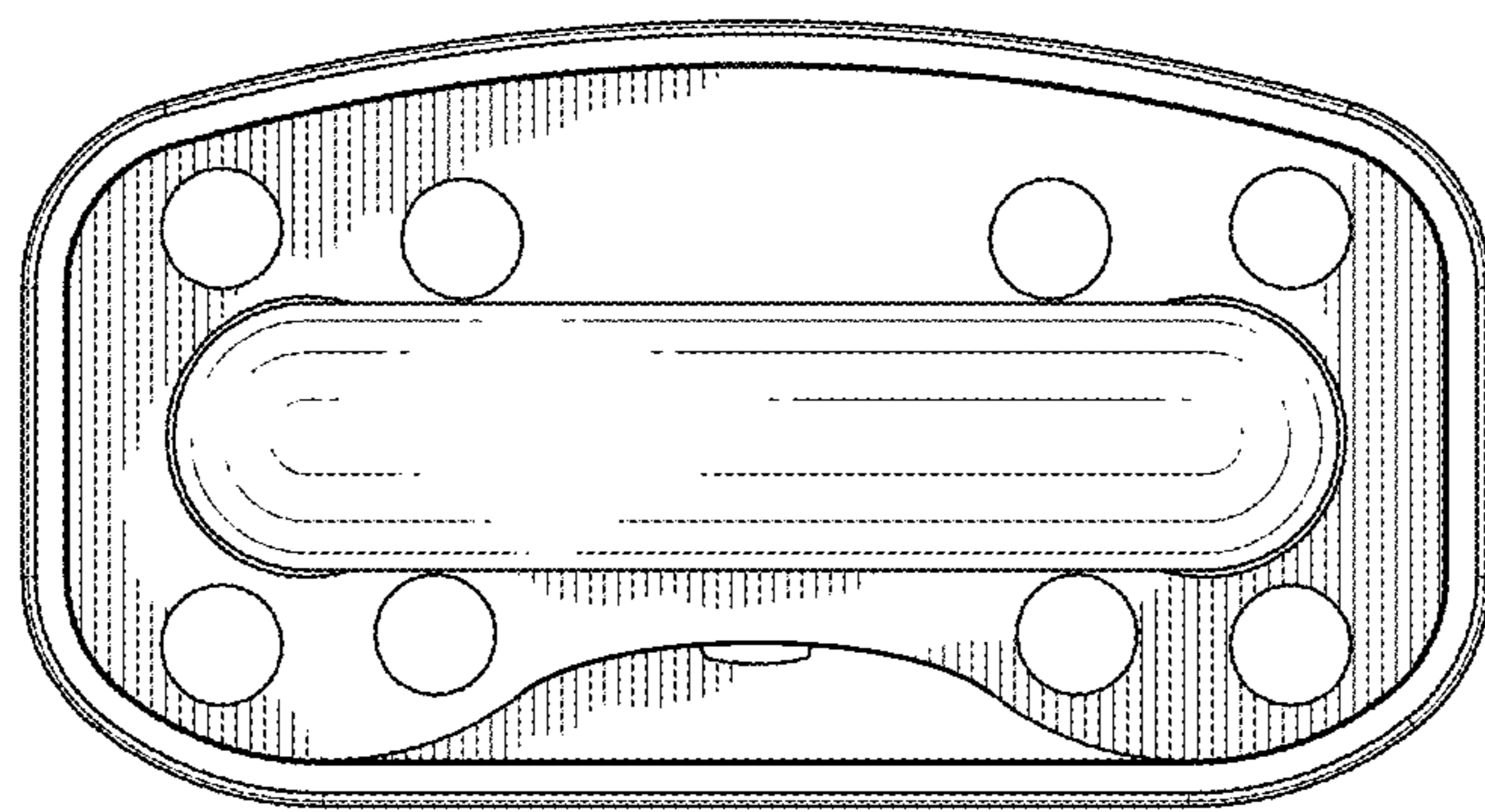


FIG. 5

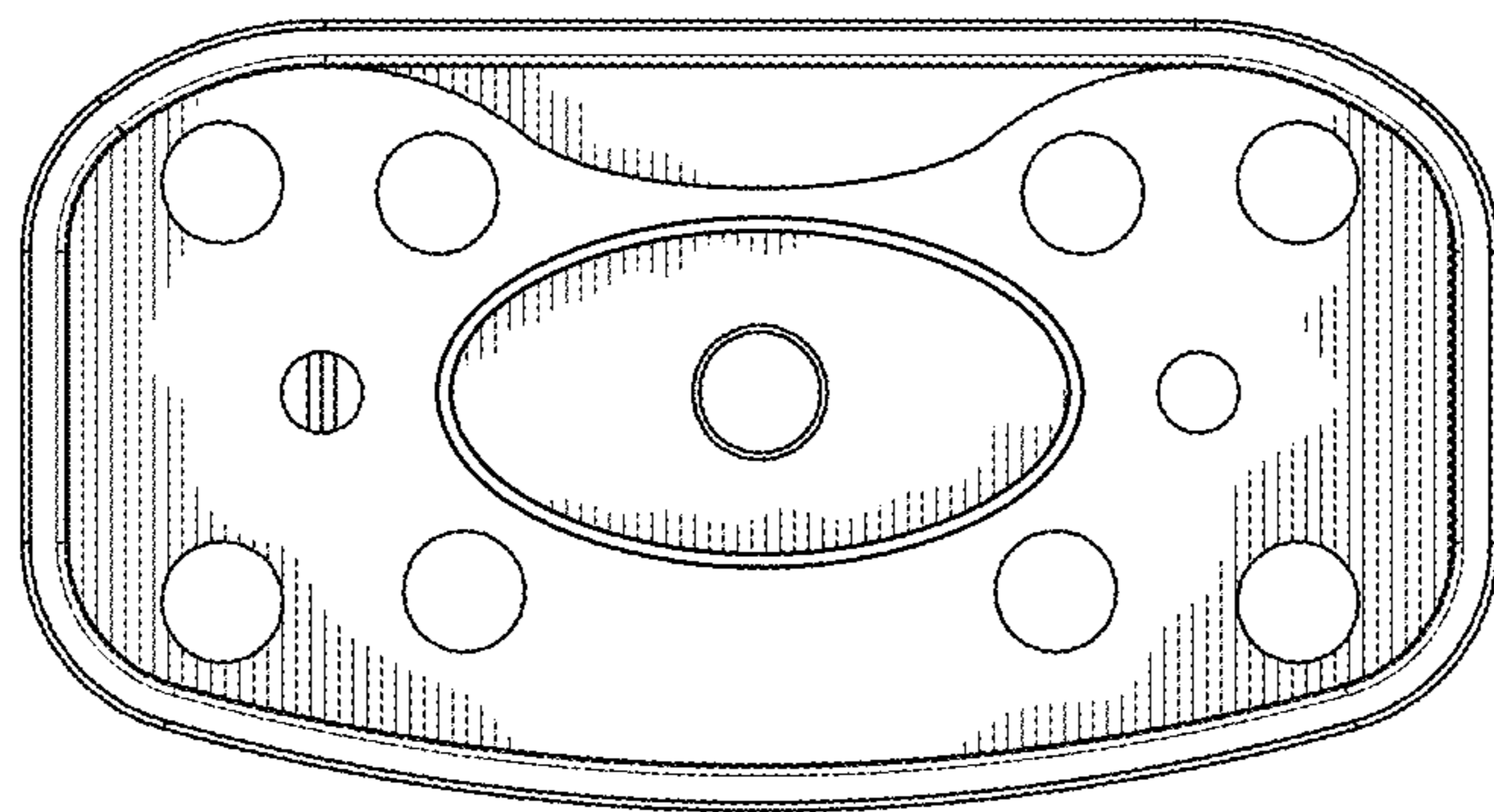


FIG. 6

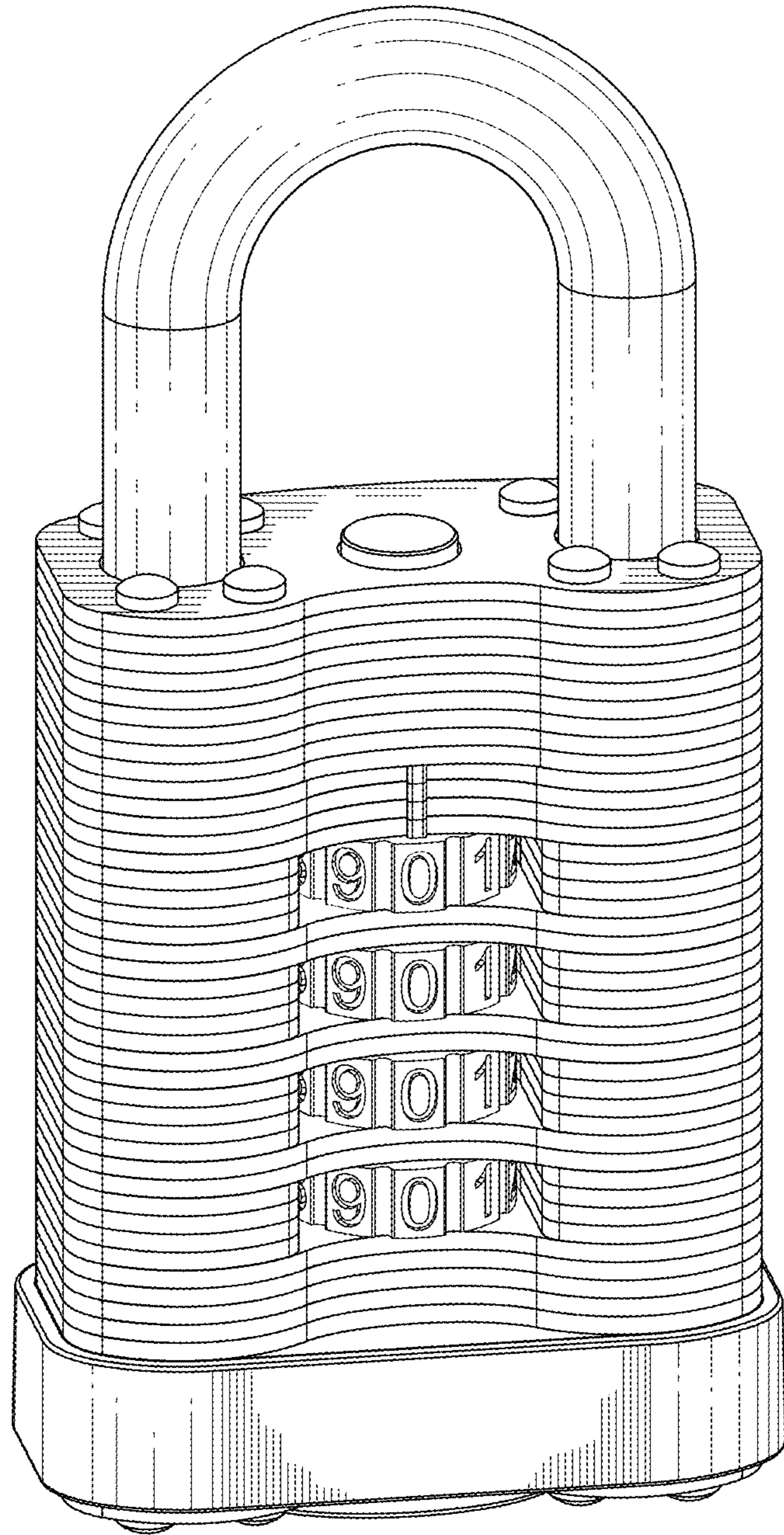


FIG. 7

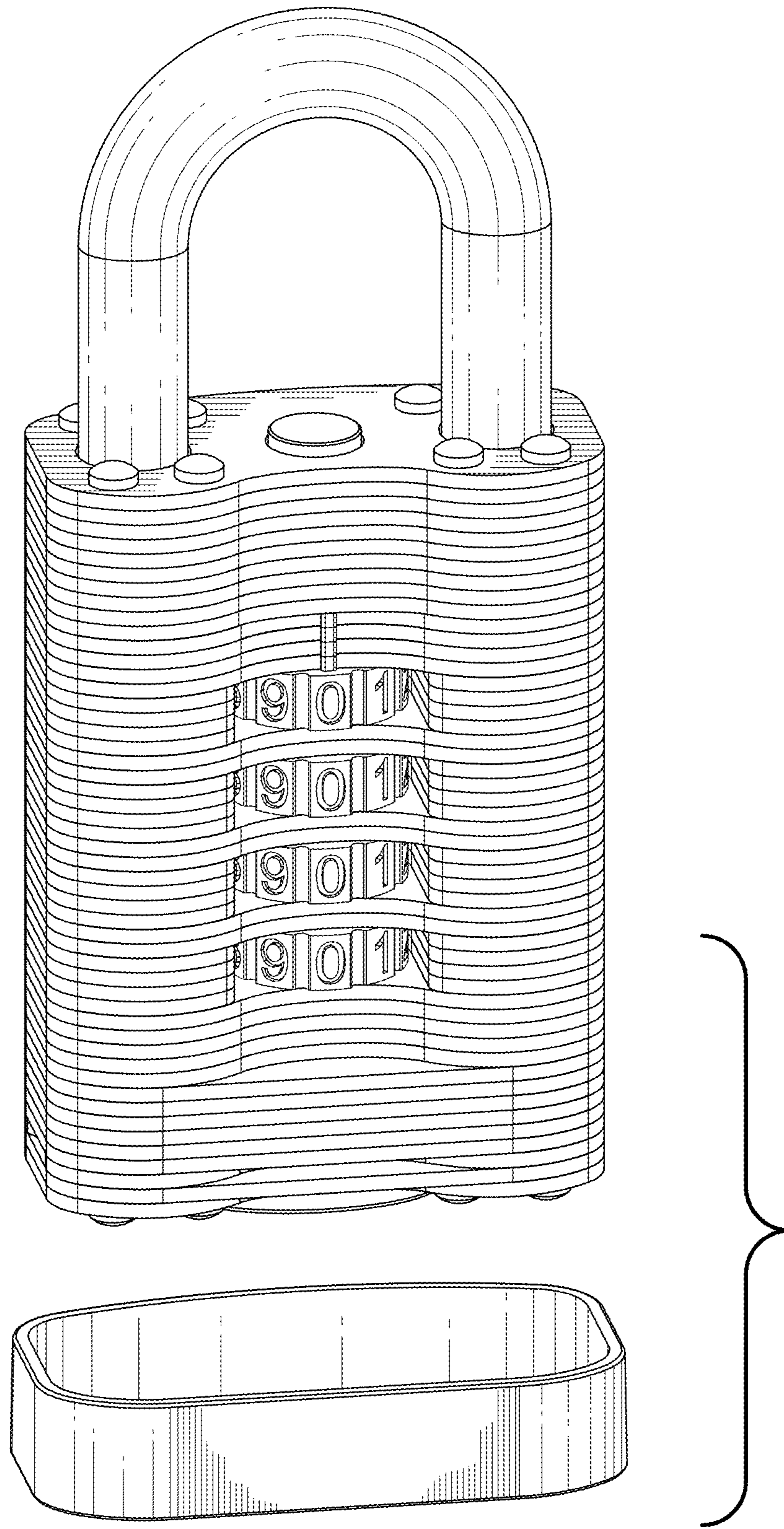


FIG. 8

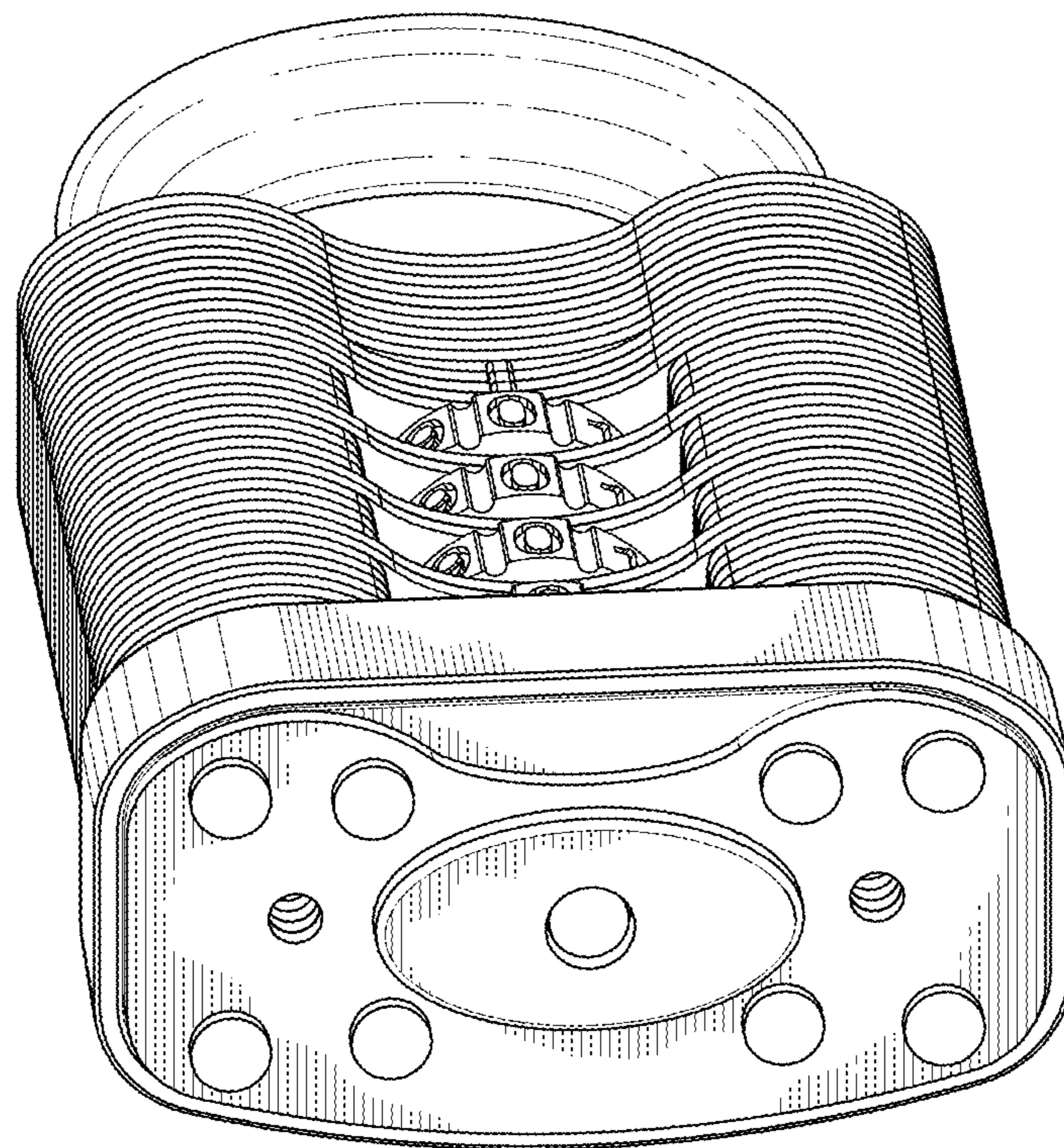


FIG. 9