



US00D902690S

(12) **United States Design Patent** (10) **Patent No.:** **US D902,690 S**
Zheng (45) **Date of Patent:** **** Nov. 24, 2020**

(54) **FINGERPRINT PADLOCK**

(56) **References Cited**

(71) Applicant: **ZHEJIANG PUJIANG
PLUM-BLOSSOM LOCK
INDUSTRY (GROUP) CO., LTD.,
Pujiang (CN)**

U.S. PATENT DOCUMENTS

D746,659 S * 1/2016 Stevens D8/334
D781,131 S * 3/2017 Nguyen D8/334
D823,663 S * 7/2018 Ronge D8/334
(Continued)

(72) Inventor: **Yongjin Zheng, Pujiang (CN)**

FOREIGN PATENT DOCUMENTS

(73) Assignee: **ZHEJIANG PUJIANG
PLUM-BLOSSOM LOCK
INDUSTRY (GROUP) CO., LTD.,
Pujiang (CN)**

CN 304804816 * 3/2018
CN 304961471 * 7/2018
(Continued)

(**) Term: **15 Years**

Jifar, Fingerprint Lock Smart Waterproof Fingerprint Padlock, Date first available Dec. 16, 2019, [online]retrieved Jul. 23, 2020, available from internet, www.amazon.com (Year: 2019).*

(21) Appl. No.: **29/690,561**

(Continued)

(22) Filed: **May 9, 2019**

Primary Examiner — Keli L Hill

Assistant Examiner — Sara S Sahneh

(30) **Foreign Application Priority Data**

(74) *Attorney, Agent, or Firm* — Hemisphere Law, PLLC; Zhigang Ma

Jan. 2, 2019 (CN) 2019 3 0001028

(51) **LOC (12) Cl.** **08-07**

(57) **CLAIM**

The ornamental design for a fingerprint padlock, as shown and described.

(52) **U.S. Cl.**

USPC **D8/334; D8/333**

DESCRIPTION

(58) **Field of Classification Search**

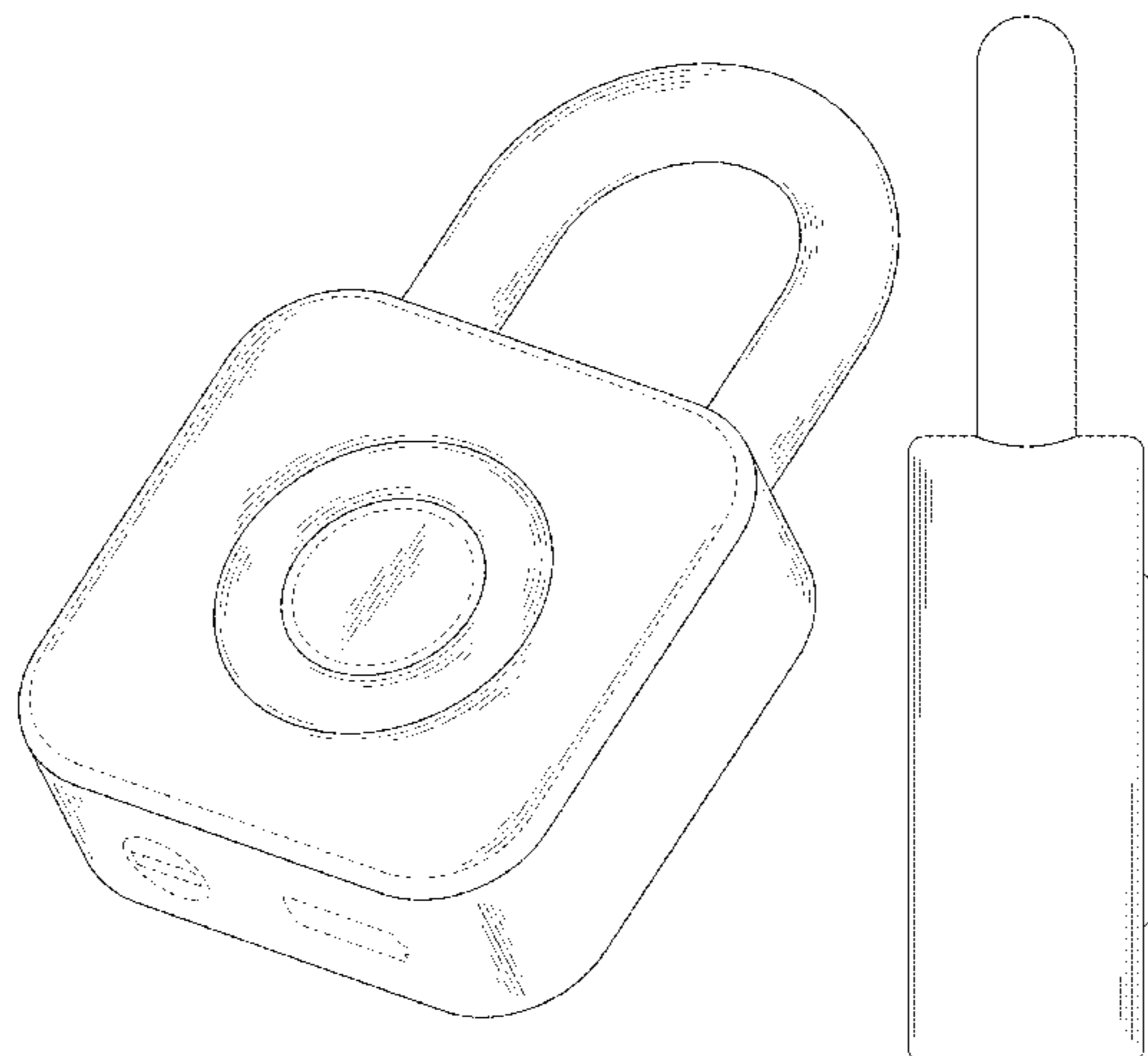
USPC D8/330-349, 382, 383, 394-396;
70/14-28, 57, 57.1, 58, 141-143, 114,
70/158, 224, 226, 431, 465; 292/299,
292/307 R; 24/16 R, 17 B
CPC E05B 69/003; E05B 71/00; E05B 73/005;
E05B 37/0068; E05B 17/142; E05B
37/025; E05B 37/08; E05B 67/063; E05B
67/22; E05B 67/24; E05B 67/28; E05B
6/32; E05B 67/36; E05B 67/365; E05B
67/38; E05B 6/383; E05B 37/004; B62H
5/001; E05C

FIG. 1 is a perspective view of a fingerprint padlock, showing my new design;
FIG. 2 is a front view thereof;
FIG. 3 is a rear view thereof;
FIG. 4 is a left side view thereof;
FIG. 5 is a right side view thereof;
FIG. 6 is a top plan view thereof;
FIG. 7 is a bottom plan view thereof; and,
FIG. 8 is a side cross-sectional view, taken along line 8-8 thereof.

The broken lines shown are included for the purpose of illustrating portions of the padlock which form no part of the claimed design.

(Continued)

1 Claim, 5 Drawing Sheets



(58) **Field of Classification Search**

CPC 17/443; E05C 19/18; E05C 19/188; F16B
7/10; B60R 25/08

See application file for complete search history.

FOREIGN PATENT DOCUMENTS

CN	305059024	*	9/2018
CN	305118638	*	11/2018
CN	305607751	*	9/2019
CN	305799011	*	12/2019
CN	305817240	*	12/2019

(56) **References Cited**

U.S. PATENT DOCUMENTS

D860,760 S *	9/2019	Wang	D8/334
2009/0145178 A1 *	6/2009	Nave	E05B 37/02
				70/21
2010/0083713 A1 *	4/2010	Woodling	E05B 47/0603
				70/22
2014/0366592 A1 *	12/2014	Bao	E05B 37/10
				70/25
2016/0312497 A1 *	10/2016	McGinnis	E05B 67/063
2016/0333607 A1 *	11/2016	Cagan	E05B 47/0001
2017/0009491 A1 *	1/2017	Nguyen	G07C 9/00944
2017/0198497 A1 *	7/2017	Tsai	G07C 9/00563
2018/0320416 A1 *	11/2018	Lai	E05B 67/24
2019/0119954 A1 *	4/2019	Wyatt	E05B 67/38

OTHER PUBLICATIONS

Master Lock, Padlock, Indoor Personal Use Bluetooth Lock, 1-29/32 in. Wide, 4400D, Date first available Jan. 4, 2016, [online] retrieved Jul. 23, 2020, available from internet, www.amazon.com (Year: 2016).*

Inovare Designs, Fingerprint Padlock, Date first available Dec. 3, 2019 [online]retrieved Jul. 23, 2020, available from internet, www.amazon.com (Year: 2019).*

eLinkSmart Store, Fingerprint Padlock Smart Touch Lock, Date first available Dec. 30, 2019 [online]retrieved Aug. 10, 2020, available from internet, www.amazon.com (Year: 2019).*

* cited by examiner



FIG. 1

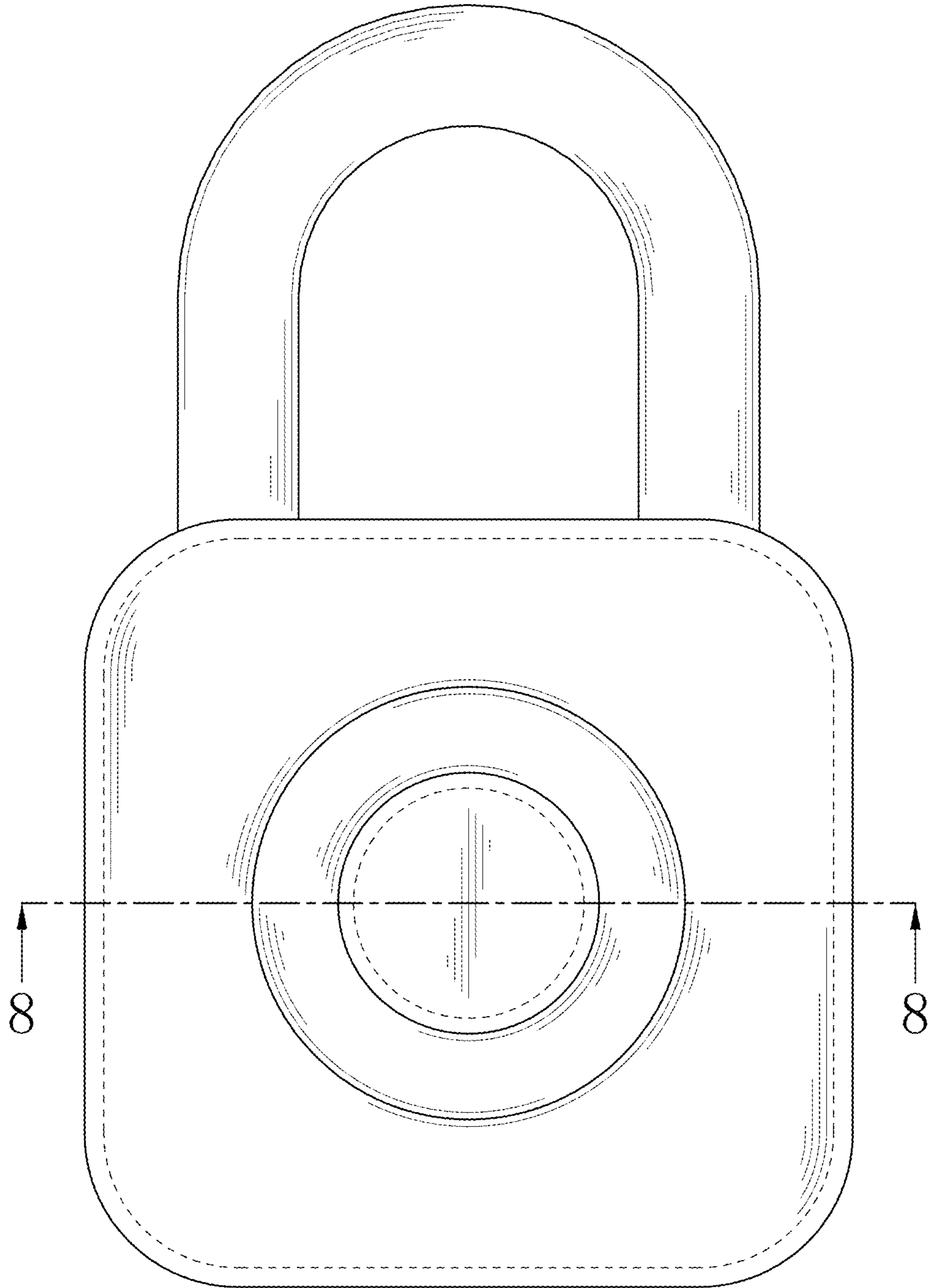


FIG. 2

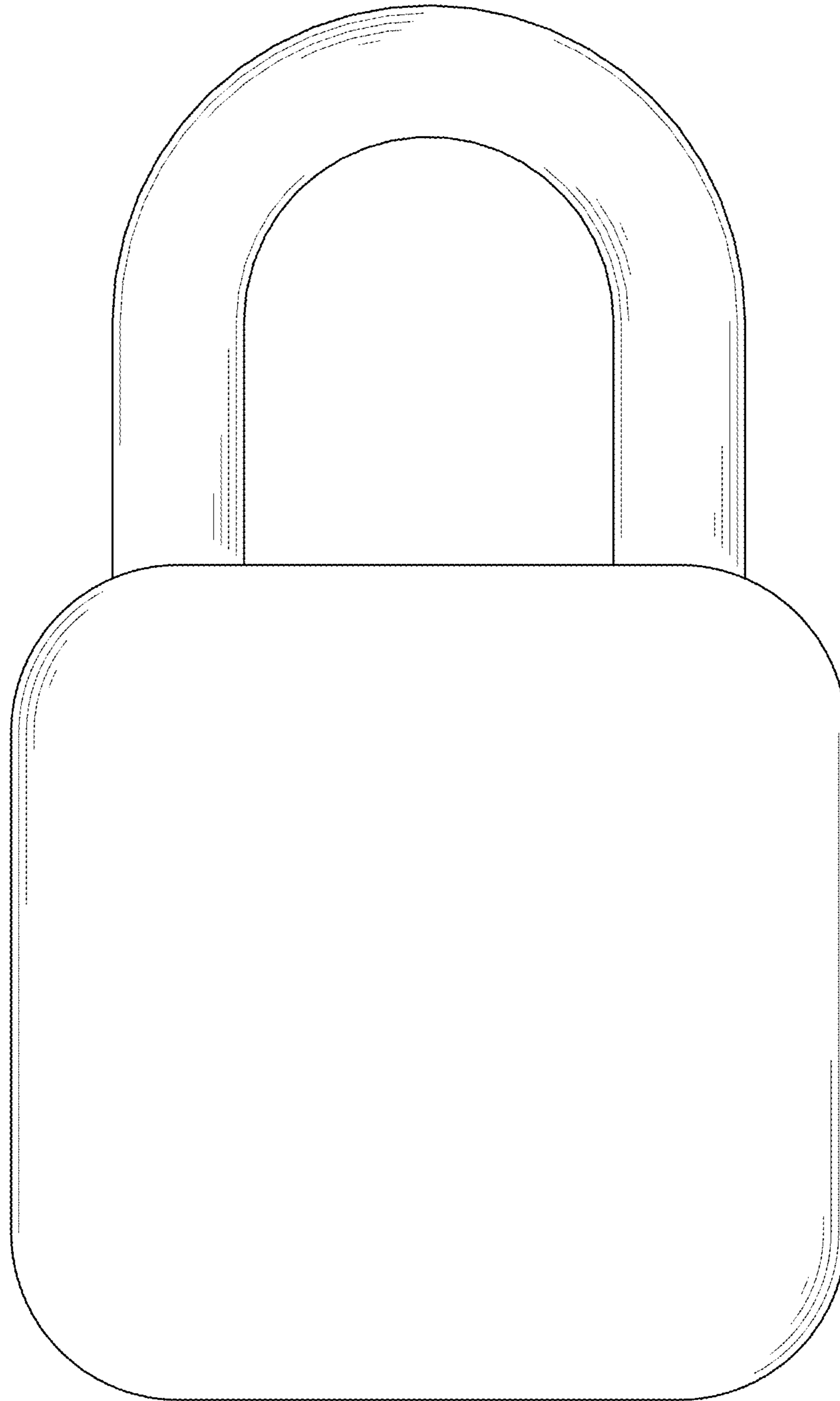


FIG. 3

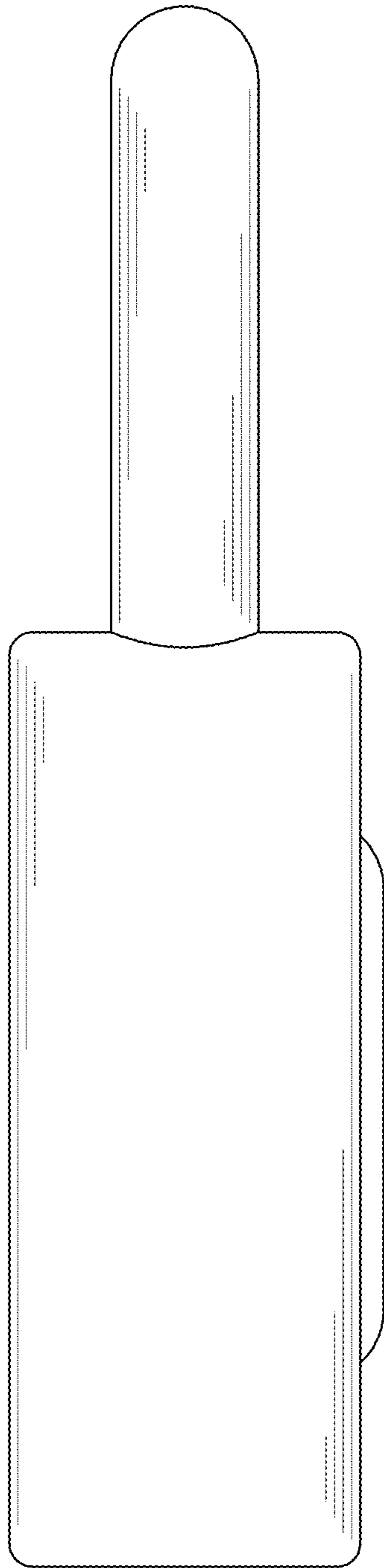


FIG. 4

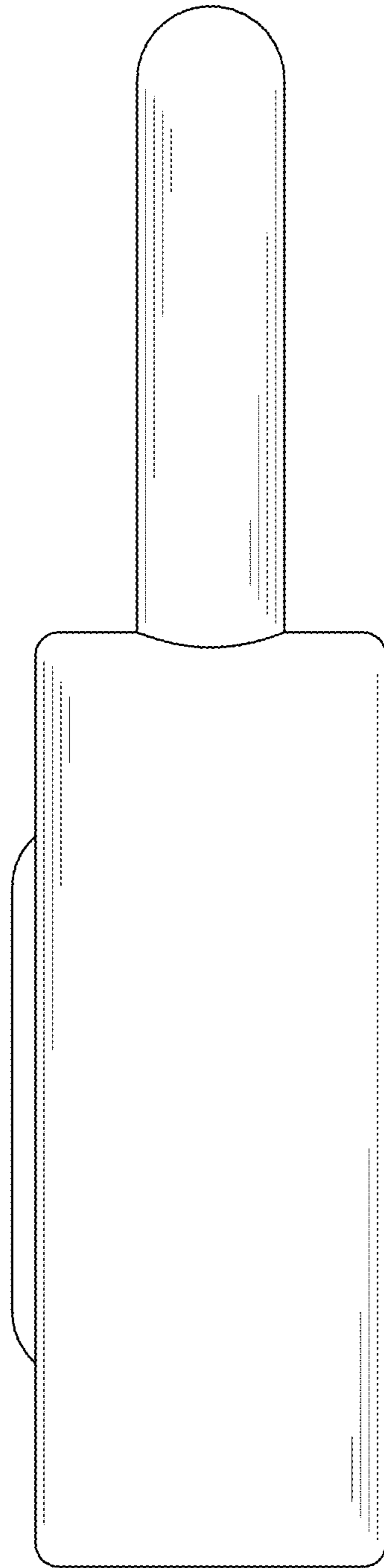


FIG. 5

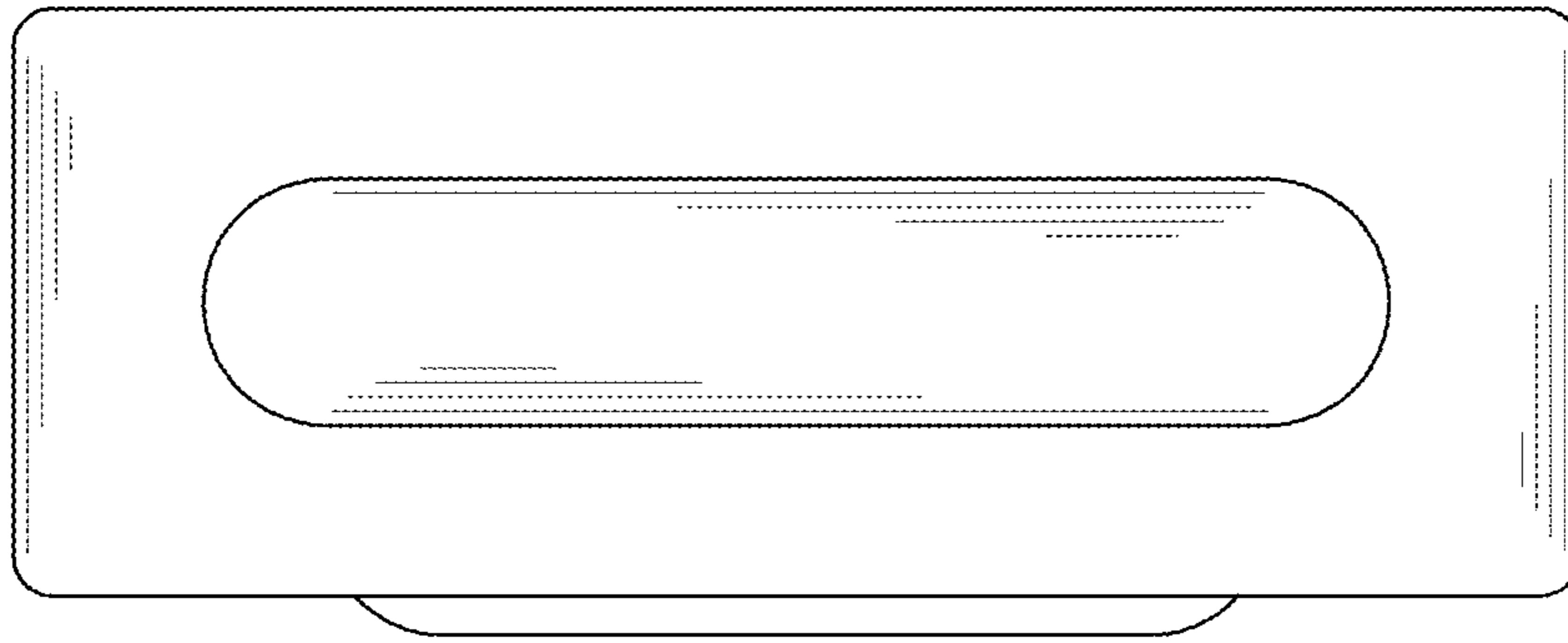


FIG. 6

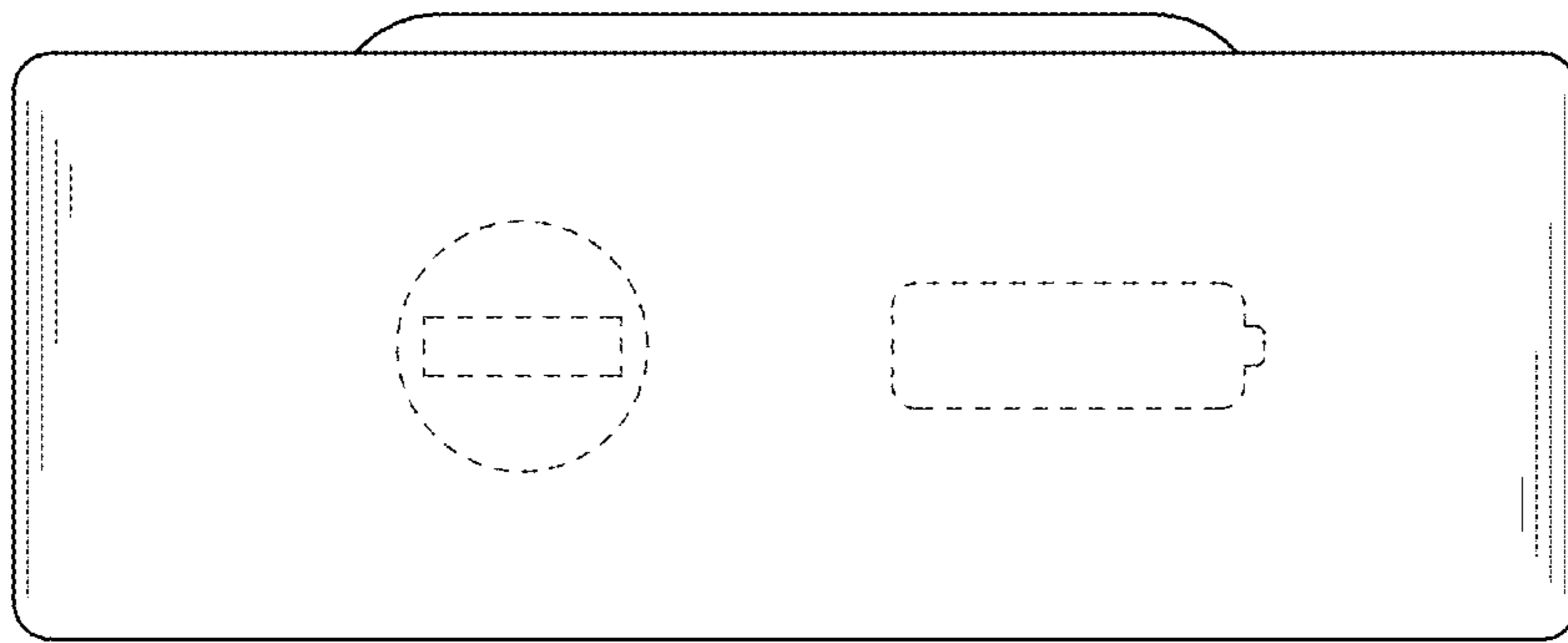


FIG. 7

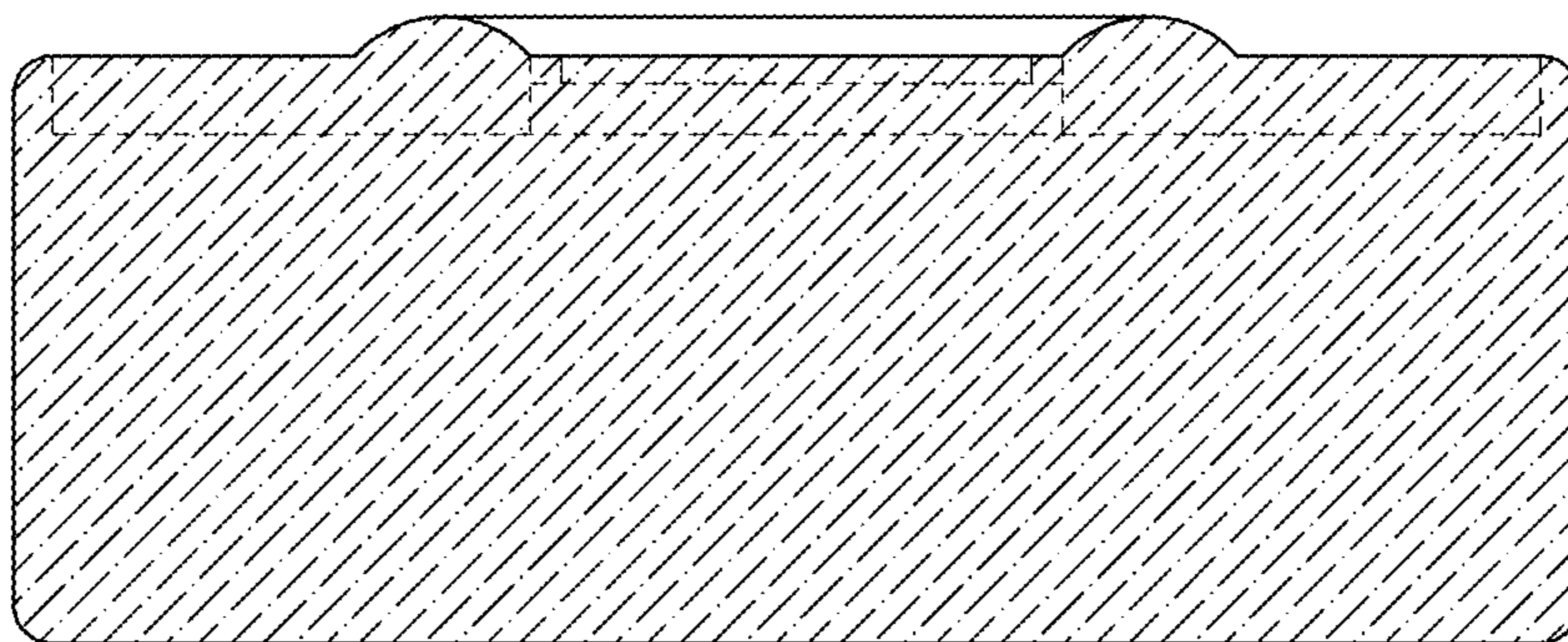


FIG. 8