



US00D902687S

(12) **United States Design Patent** (10) **Patent No.:** **US D902,687 S**  
**van Cronenburg** (45) **Date of Patent:** **\*\* Nov. 24, 2020**

(54) **SPUR HINGE**

(71) Applicant: **VAN CRONENBURG ARCHITECTURAL HARDWARE BVBA**, Ghent (BE)

(72) Inventor: **Peter van Cronenburg**, Ghent (BE)

(73) Assignee: **Van Cronenburg Architectural Hardware BVBA**, Ghent (BE)

(\*\*) Term: **15 Years**

(21) Appl. No.: **29/696,200**

(22) Filed: **Jun. 26, 2019**

(51) **LOC (12) Cl.** ..... **08-06**

(52) **U.S. Cl.**  
USPC ..... **D8/323**

(58) **Field of Classification Search**  
USPC ..... D8/323, 327, 328, 329; 16/250, 251  
(Continued)

(56) **References Cited**

**U.S. PATENT DOCUMENTS**

D31,750 S \* 10/1899 White ..... D8/323  
D32,031 S \* 12/1899 Jones ..... D8/323  
(Continued)

*Primary Examiner* — Cynthia R Underwood

(74) *Attorney, Agent, or Firm* — Hodgson Russ LLP

(57) **CLAIM**

The ornamental design for a spur hinge, as shown and described.

**DESCRIPTION**

FIG. 1 is a front top perspective view of a first embodiment of a spur hinge showing my new design;  
FIG. 2 is a rear bottom perspective view thereof;  
FIG. 3 is a front elevation view thereof;  
FIG. 4 is a rear elevation view thereof;

FIG. 5 is a left side elevation view thereof;  
FIG. 6 is a right side elevation view thereof;  
FIG. 7 is a top plan view thereof;  
FIG. 8 is a bottom plan view thereof;  
FIG. 9 is a front top perspective view of a second embodiment of a spur hinge showing my new design;  
FIG. 10 is a rear bottom perspective view thereof;  
FIG. 11 is a front elevation view of thereof;  
FIG. 12 is a rear elevation view thereof;  
FIG. 13 is a left side elevation view thereof;  
FIG. 14 is a right side elevation view thereof;  
FIG. 15 is a top plan view thereof;  
FIG. 16 is a bottom plan view thereof;  
FIG. 17 is a front top perspective view of a third embodiment of a spur hinge showing my new design in a first position;  
FIG. 18 is a rear bottom perspective view thereof;  
FIG. 19 is a front top perspective view of the spur hinge of FIG. 17 in a second position;  
FIG. 20 is a rear bottom perspective view thereof;  
FIG. 21 is a front elevation view of the spur hinge of FIG. 17 in the first position;  
FIG. 22 is a rear elevation view thereof;  
FIG. 23 is a left side elevation view thereof;  
FIG. 24 is a right side elevation view thereof;  
FIG. 25 is a top plan view thereof;  
FIG. 26 is a bottom plan view thereof;  
FIG. 27 is a front top perspective view of a fourth embodiment of a spur hinge showing my new design in a first position;  
FIG. 28 is a rear bottom perspective view thereof;  
FIG. 29 is a front top perspective view of the spur hinge of FIG. 27 in a second position;  
FIG. 30 is a rear bottom perspective view thereof;  
FIG. 31 is a front elevation view of the spur hinge of FIG. 27 in the first position;  
FIG. 32 is a rear elevation view thereof;  
FIG. 33 is a left side elevation view thereof;  
FIG. 34 is a right side elevation view thereof;  
FIG. 35 is a top plan view thereof;  
FIG. 36 is a bottom plan view thereof;  
FIG. 37 is a front top perspective view of a fifth embodiment of a spur hinge showing my new design in a first position;

(Continued)

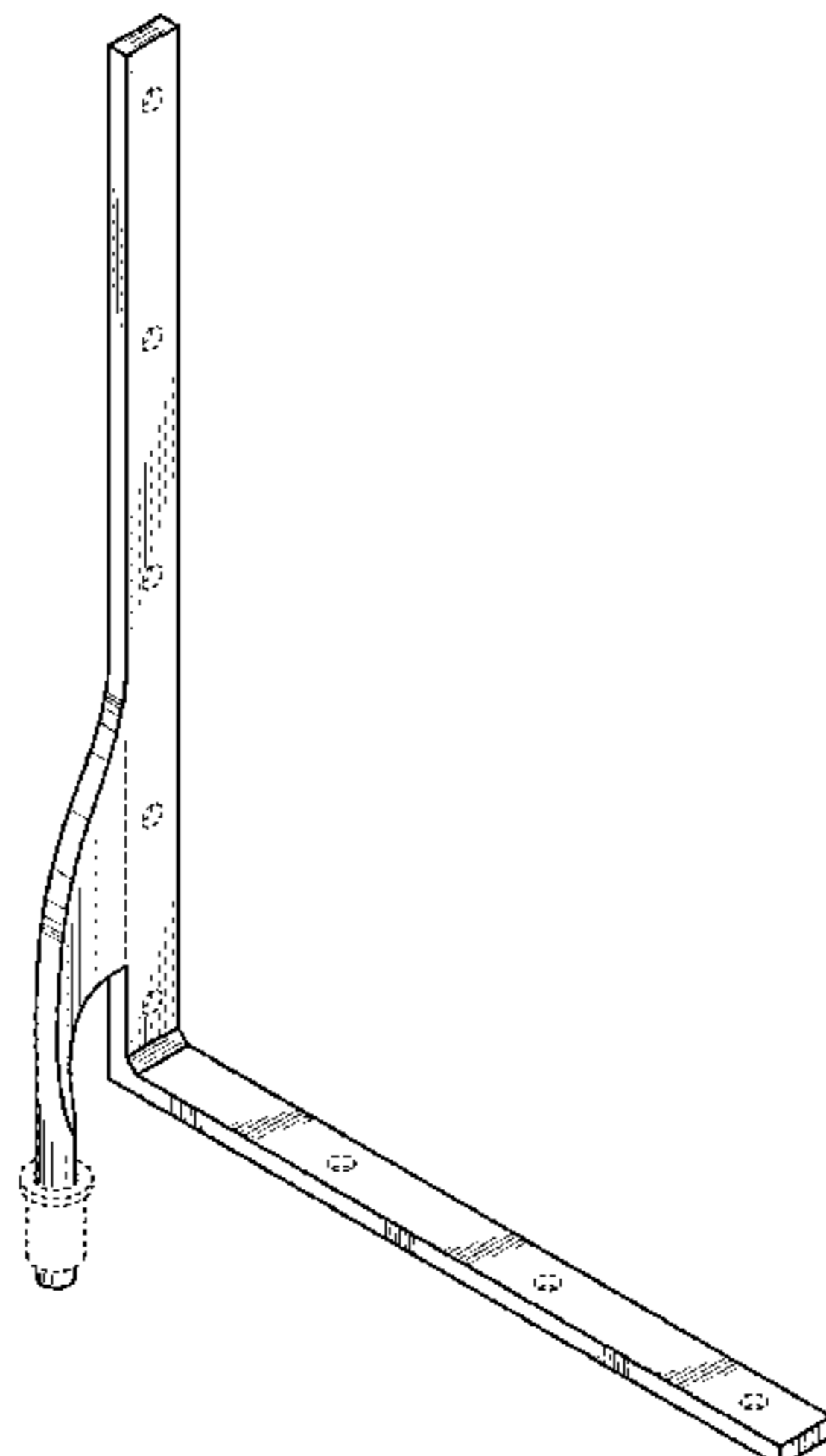


FIG. 38 is a rear bottom perspective view thereof;  
 FIG. 39 is a front top perspective view of the spur hinge of FIG. 37 in a second position;  
 FIG. 40 is a rear bottom perspective view thereof;  
 FIG. 41 is a front elevation view of the spur hinge of FIG. 37 in the first position;  
 FIG. 42 is a rear elevation view thereof;  
 FIG. 43 is a left side elevation view thereof;  
 FIG. 44 is a right side elevation view thereof;  
 FIG. 45 is a top plan view thereof;  
 FIG. 46 is a bottom plan view thereof;  
 FIG. 47 is a front top perspective view of a sixth embodiment of a spur hinge showing my new design in a first position;  
 FIG. 48 is a rear bottom perspective view thereof;  
 FIG. 49 is a front top perspective view of the spur hinge of FIG. 47 in a second position;  
 FIG. 50 is a rear bottom perspective view thereof;  
 FIG. 51 is a front elevation view of the spur hinge of FIG. 47 in the first position;  
 FIG. 52 is a rear elevation view thereof;  
 FIG. 53 is a left side elevation view thereof;  
 FIG. 54 is a right side elevation view thereof;  
 FIG. 55 is a top plan view thereof;  
 FIG. 56 is a bottom plan view thereof;  
 FIG. 57 is a front top perspective view of a seventh embodiment of a spur hinge showing my new design in a first position;  
 FIG. 58 is a rear bottom perspective view thereof;  
 FIG. 59 is a front top perspective view of the spur hinge of FIG. 57 in a second position;  
 FIG. 60 is a rear bottom perspective view thereof;  
 FIG. 61 is a front elevation view of the spur hinge of FIG. 57 in the first position;  
 FIG. 62 is a rear elevation view thereof;  
 FIG. 63 is a left side elevation view thereof;  
 FIG. 64 is a right side elevation view thereof;  
 FIG. 65 is a top plan view thereof;  
 FIG. 66 is a bottom plan view thereof;  
 FIG. 67 is a front top perspective view of an eighth embodiment of a spur hinge showing my new design in a first position;

FIG. 68 is a rear bottom perspective view thereof;  
 FIG. 69 is a front top perspective view of the spur hinge of FIG. 67 in a second position;  
 FIG. 70 is a rear bottom perspective view thereof;  
 FIG. 71 is a front elevation view of the spur hinge of FIG. 67 in the first position;  
 FIG. 72 is a rear elevation view thereof;  
 FIG. 73 is a left side elevation view thereof;  
 FIG. 74 is a right side elevation view thereof;  
 FIG. 75 is a top plan view thereof; and,  
 FIG. 76 is a bottom plan view thereof.  
 The broken lines depict portions of the device that form no part of the claim.

**1 Claim, 76 Drawing Sheets**

(58) **Field of Classification Search**

CPC ..... E05D 5/12; E05D 51/02; E05D 11/082;  
 E05D 11/0054; B64G 1/222; E05B 12/24;  
 E05B 13/0292

See application file for complete search history.

(56) **References Cited**

U.S. PATENT DOCUMENTS

D32,032	S *	12/1899	Jones	.....	D8/323
3,549,246	A *	12/1970	Ruesch	.....	G02C 5/2245 351/113
D277,453	S *	2/1985	Wilman	.....	D8/323
D392,175	S *	3/1998	Beck	.....	D16/334
D433,918	S *	11/2000	Bradley	.....	D8/323
D756,195	S *	5/2016	Shadley	.....	D8/323
D765,488	S *	9/2016	Held	.....	D8/323
D796,296	S *	9/2017	Kaplan	.....	D8/323
D803,758	S *	11/2017	Giordano	.....	D12/223
D858,251	S *	9/2019	van Cronenburg	.....	D8/323
2005/0044645	A1 *	3/2005	Gleason	.....	B65G 69/2817 14/71.3
2011/0225895	A1 *	9/2011	Peterson	.....	E06B 7/22 49/506
2017/0074025	A1 *	3/2017	Schweiss	.....	E06B 3/968
2020/0238883	A1 *	7/2020	Presby	.....	B60P 1/4414

\* cited by examiner

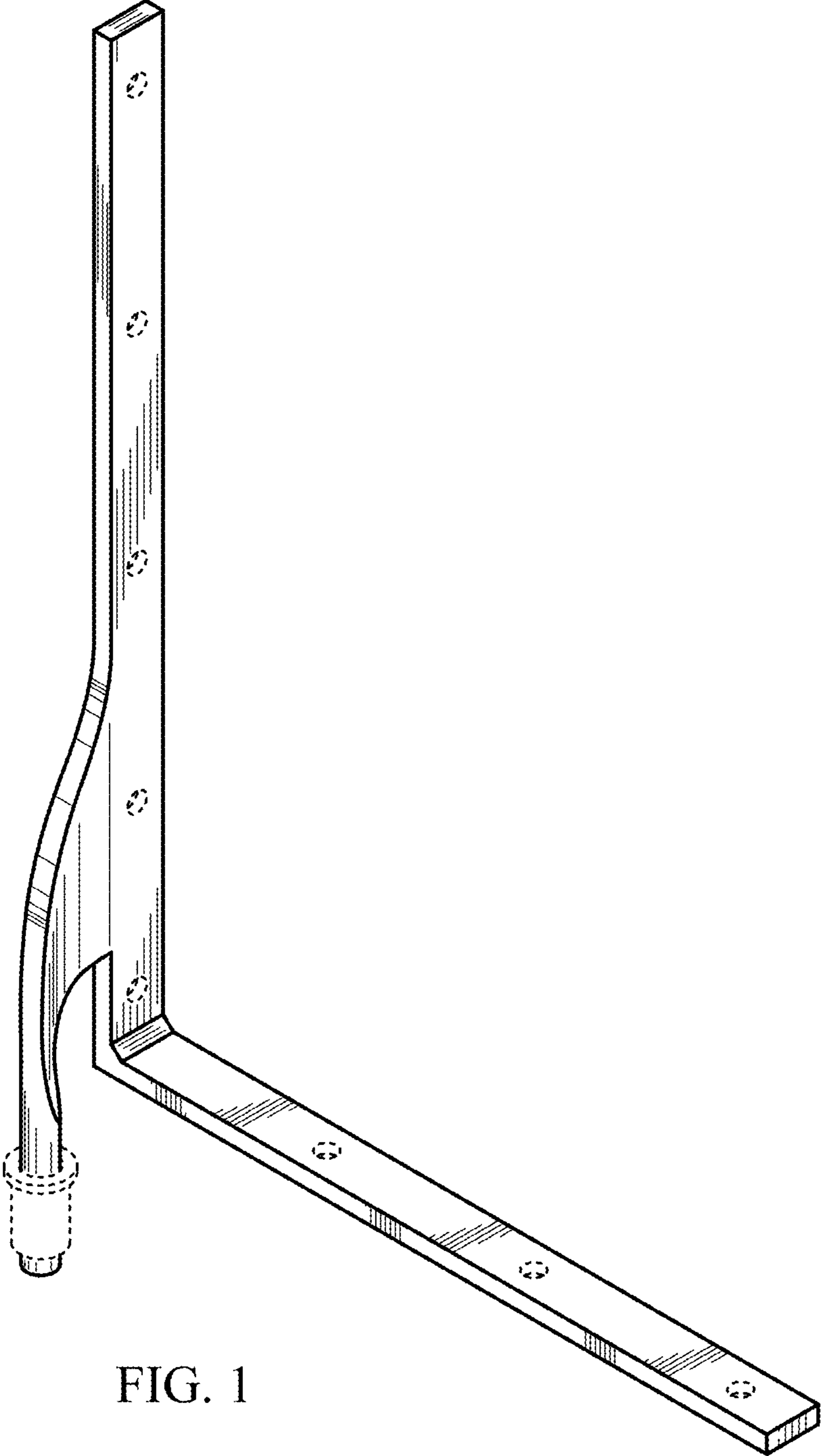


FIG. 1

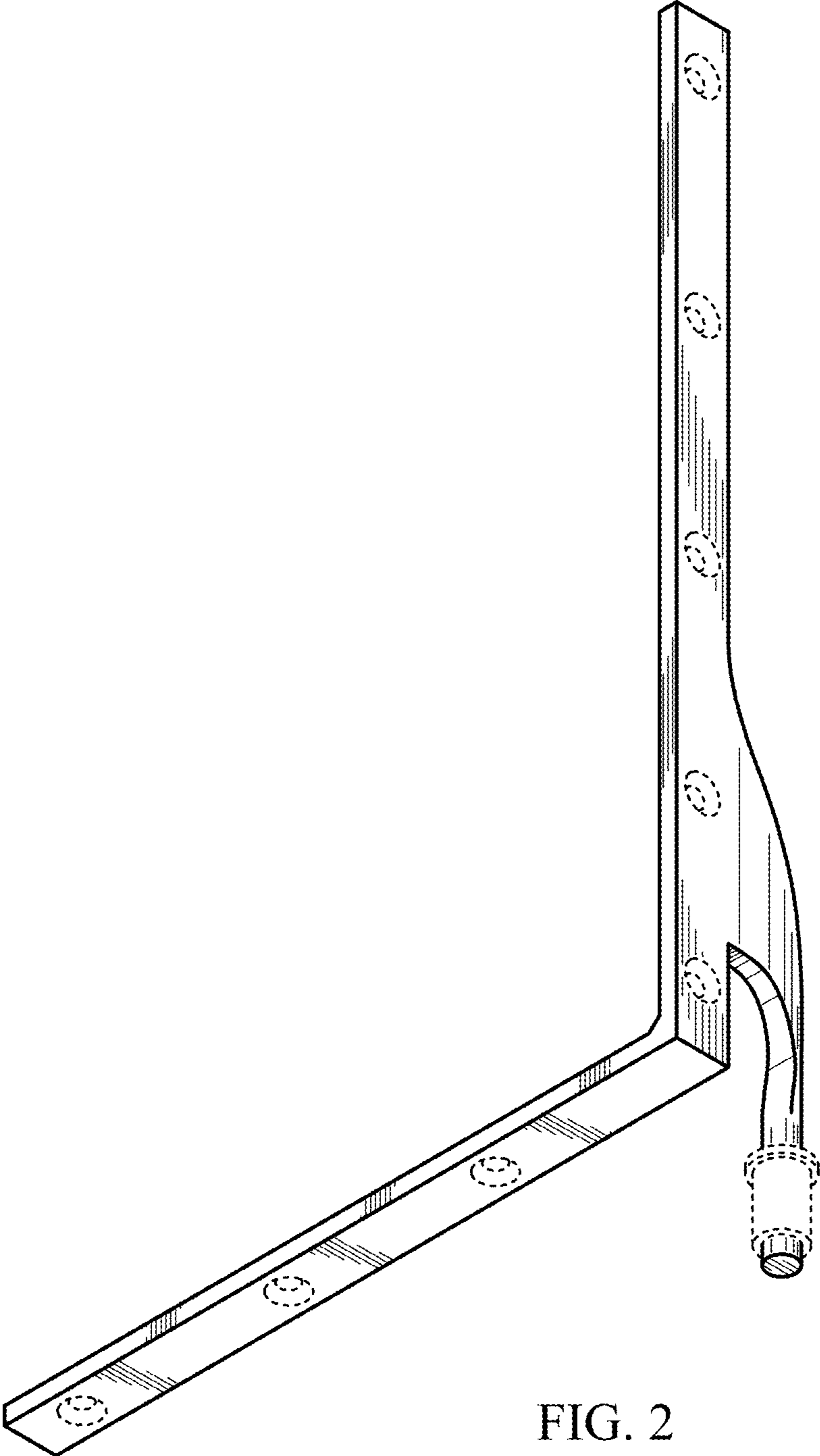


FIG. 2



FIG. 3



FIG. 4

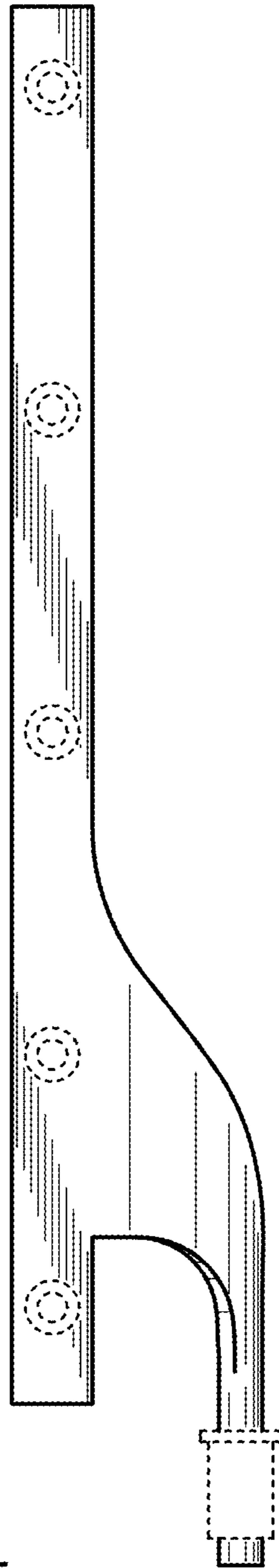


FIG. 5

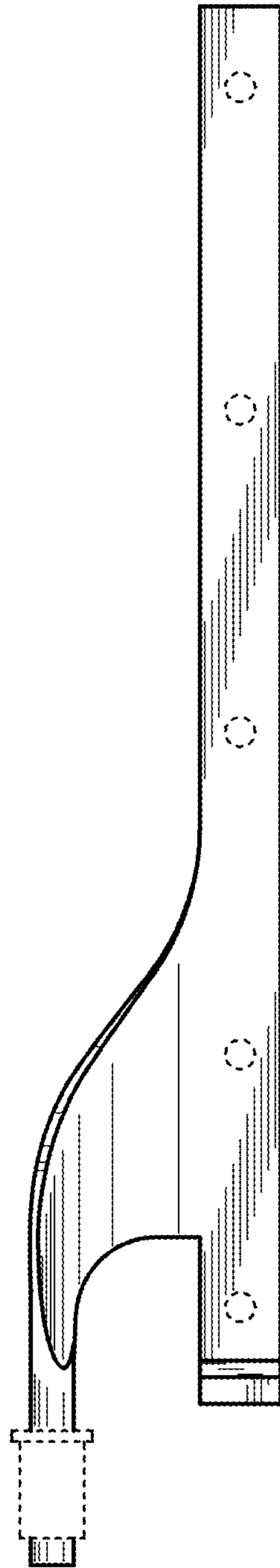


FIG. 6



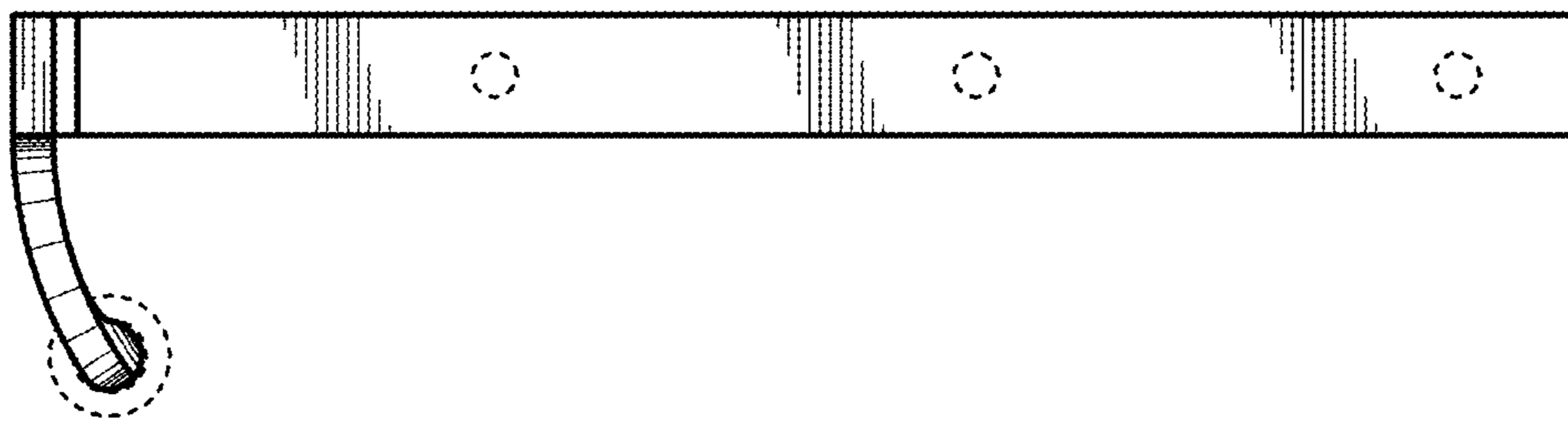


FIG. 7

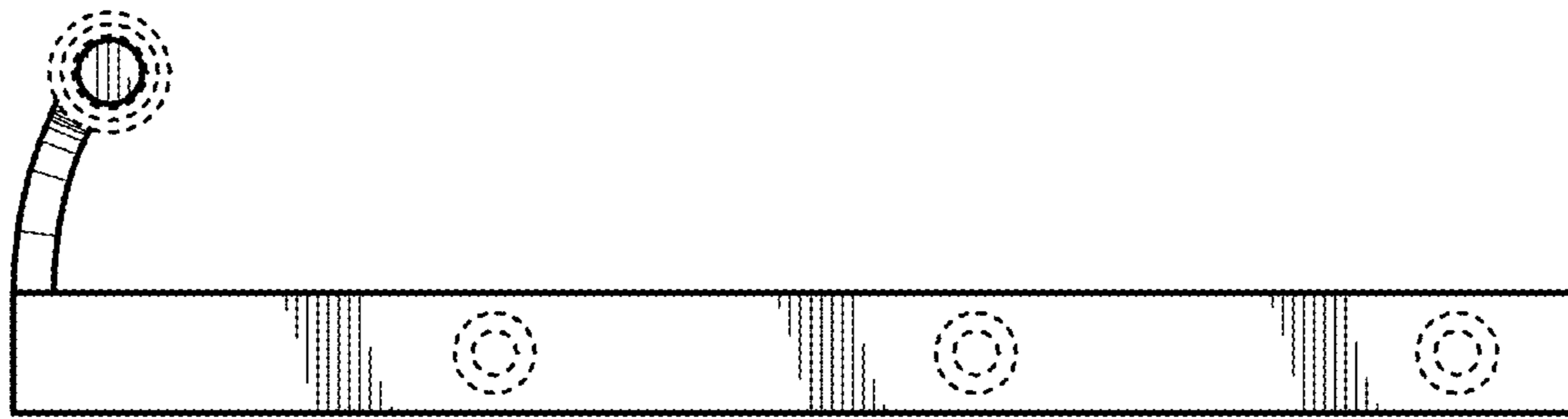


FIG. 8

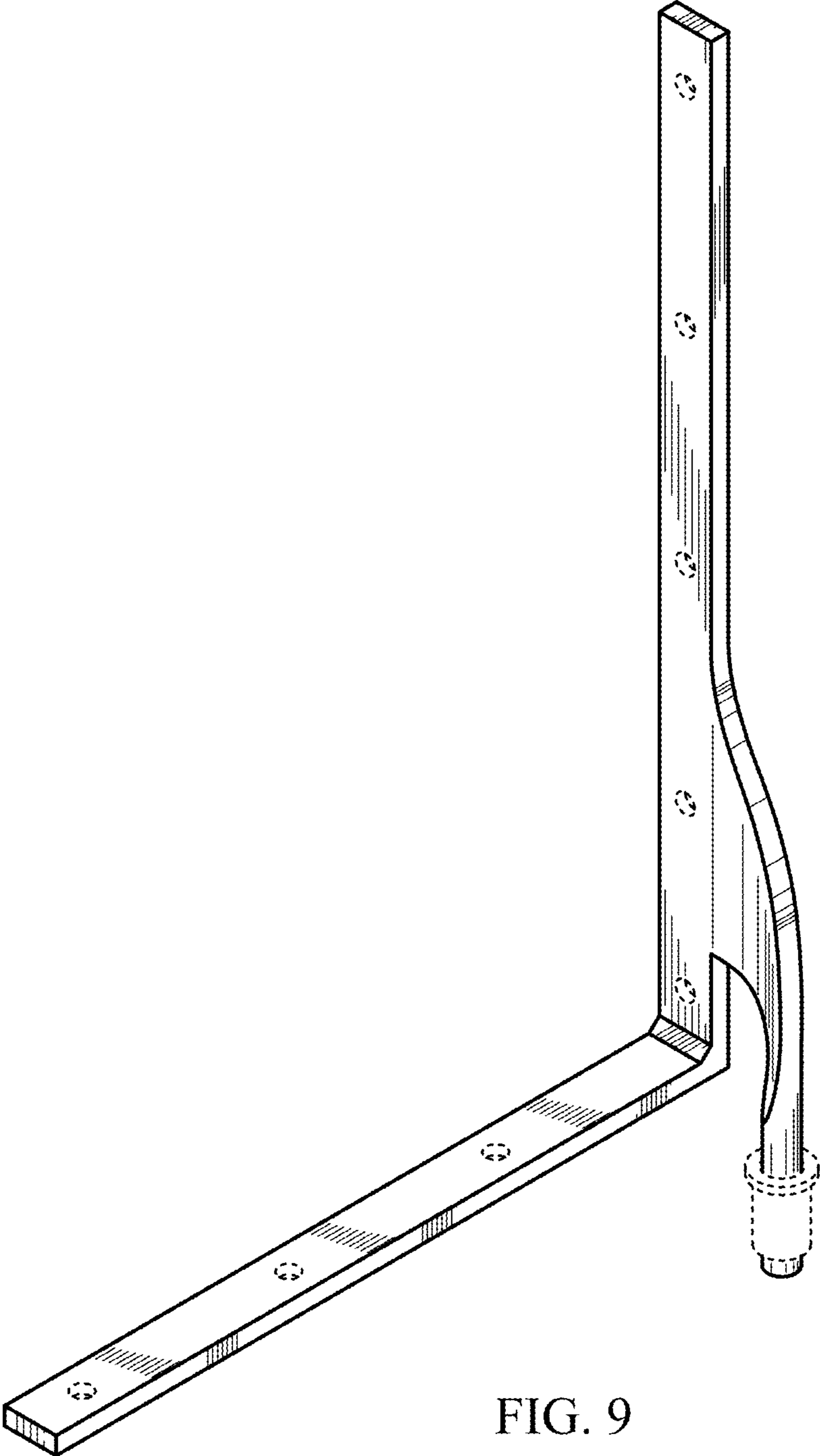


FIG. 9

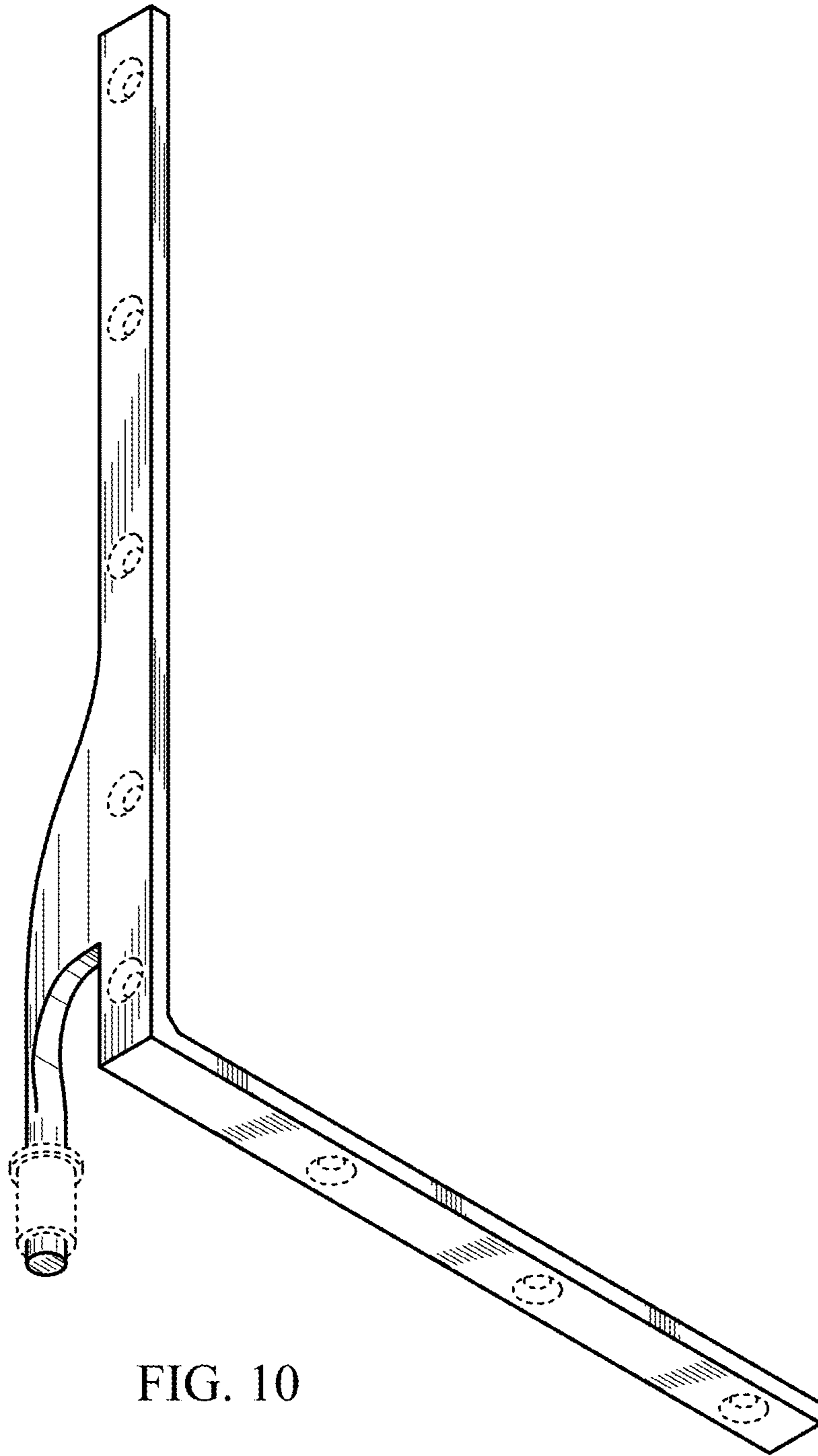


FIG. 10





FIG. 12

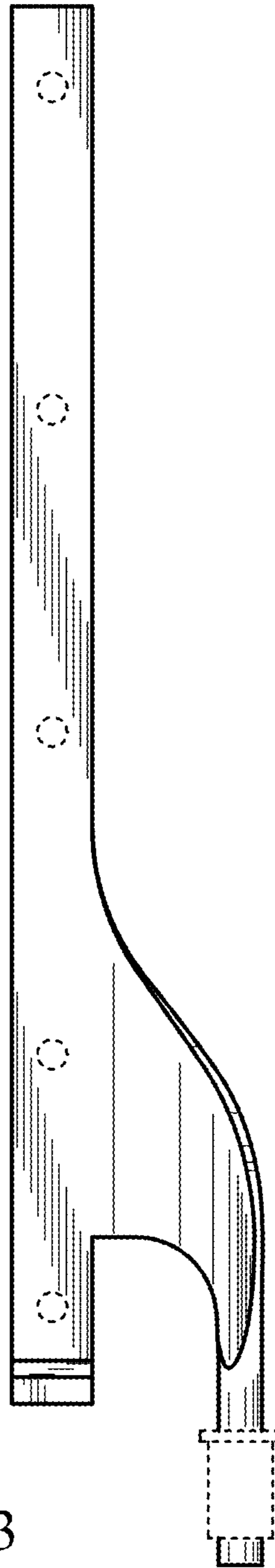


FIG. 13

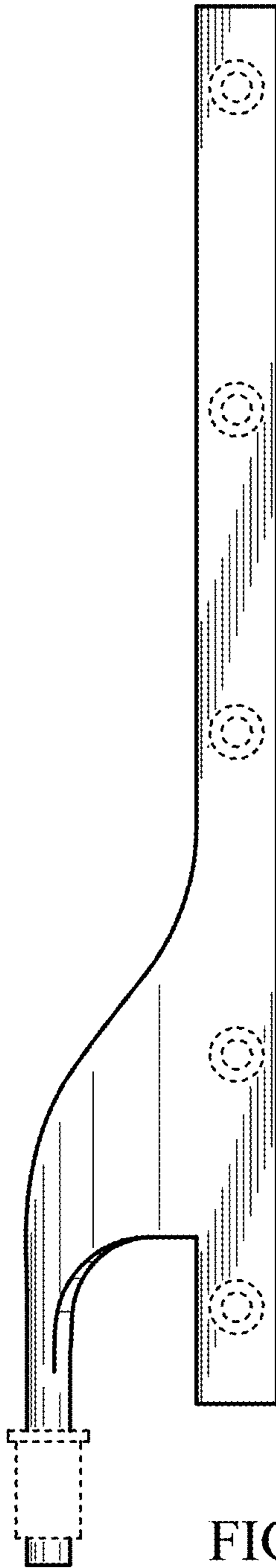


FIG. 14



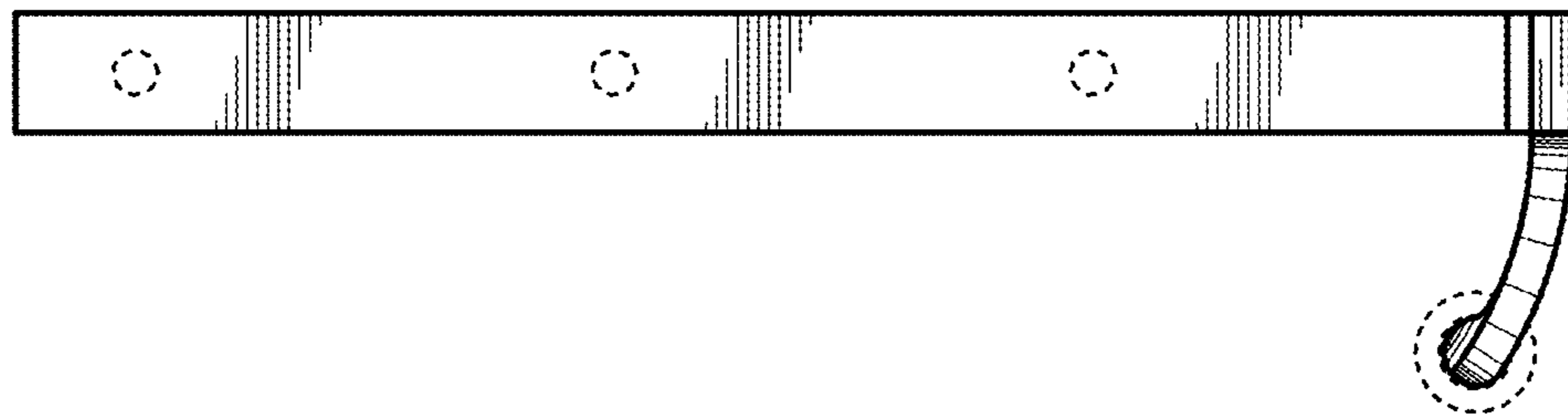


FIG. 15

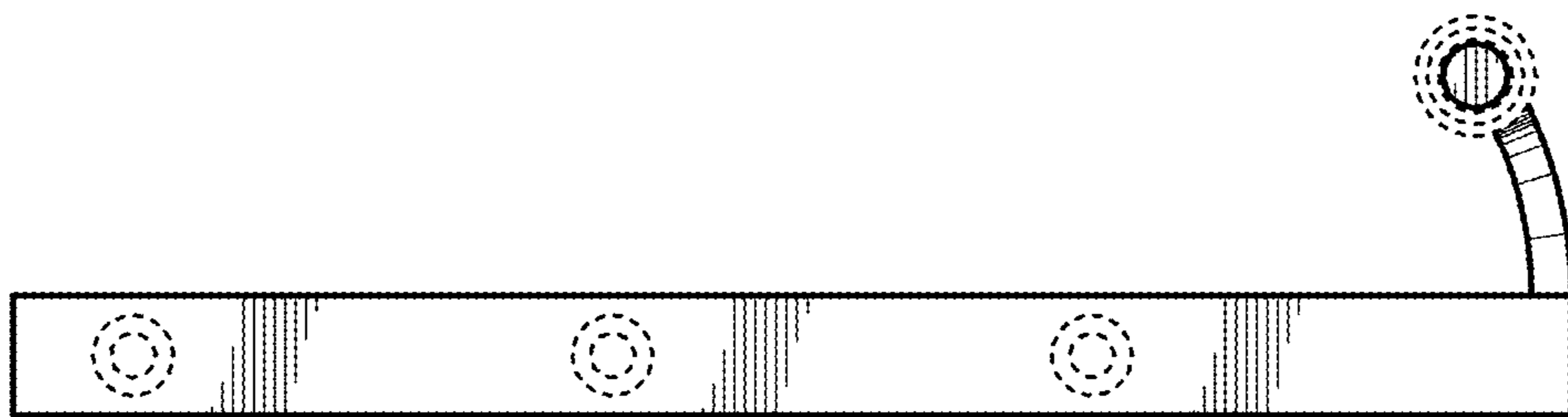


FIG. 16

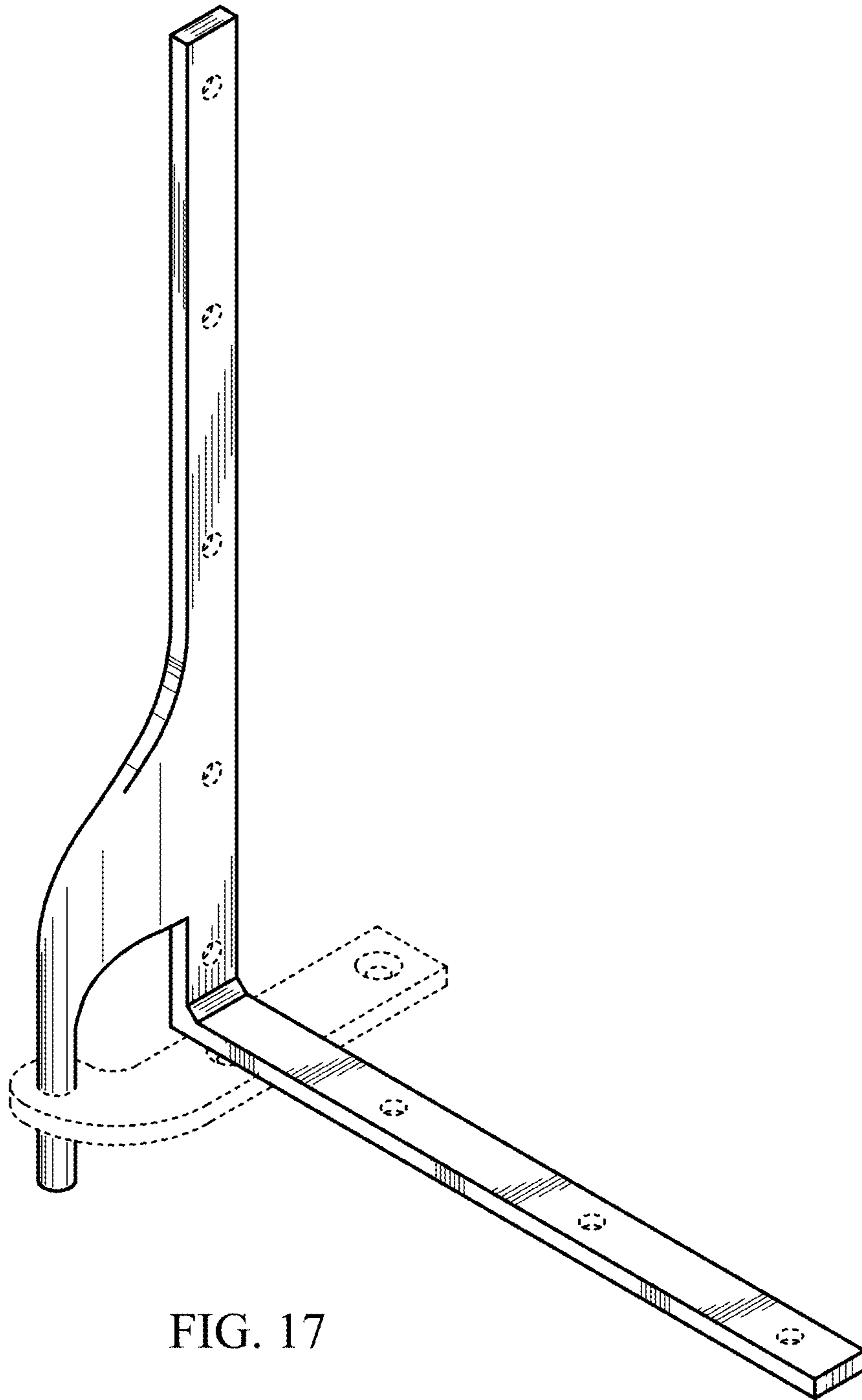


FIG. 17

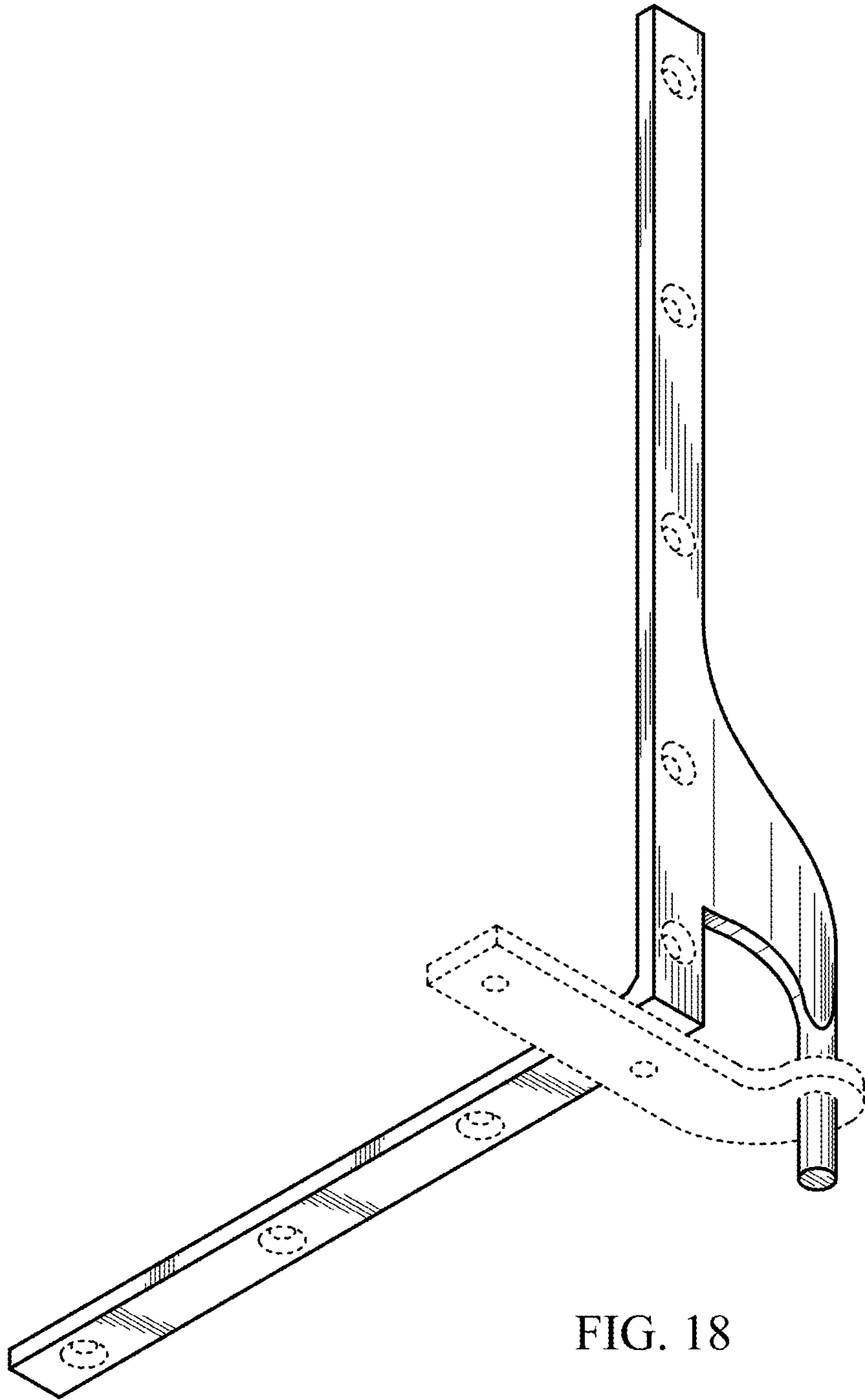


FIG. 18

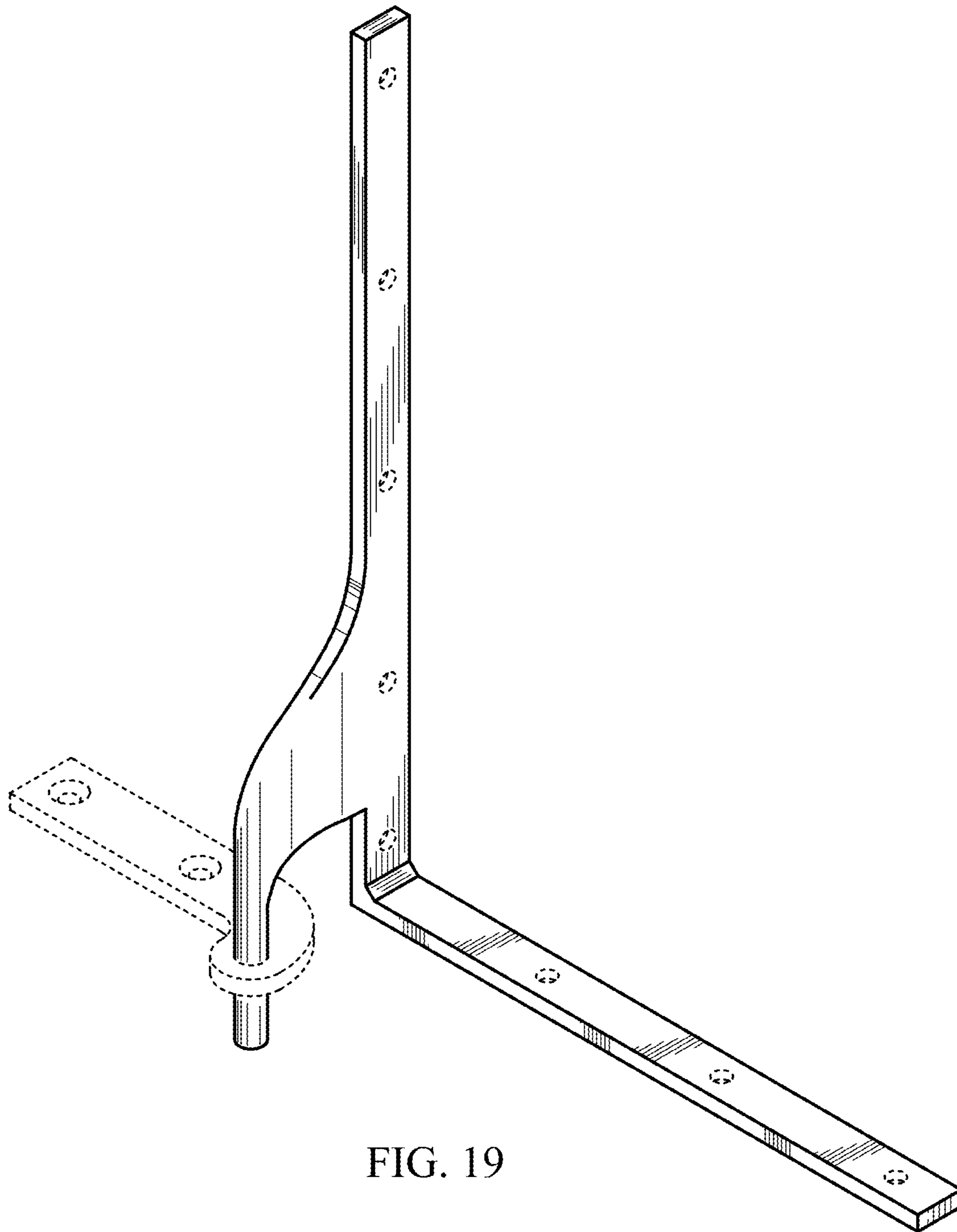


FIG. 19

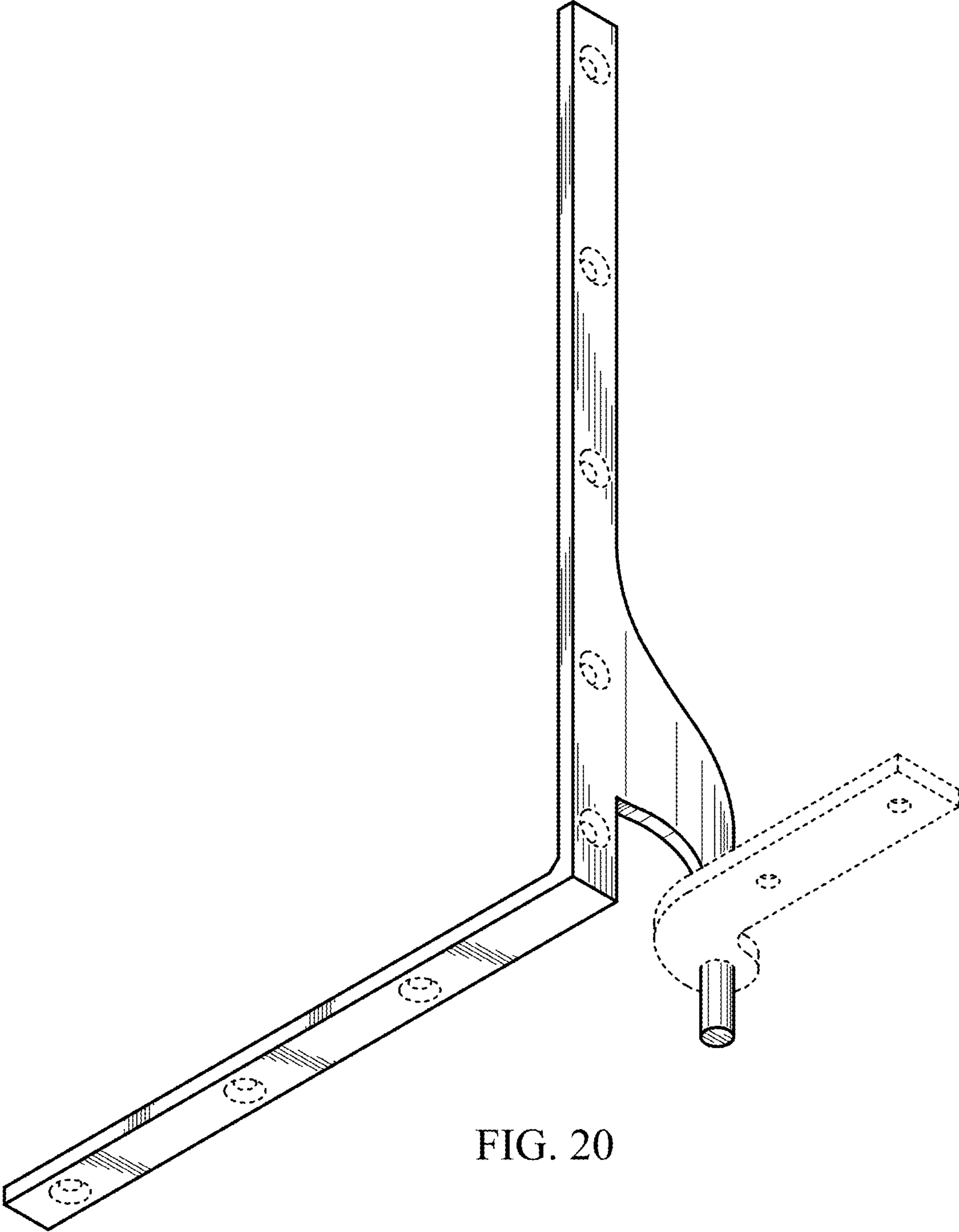


FIG. 20



FIG. 21

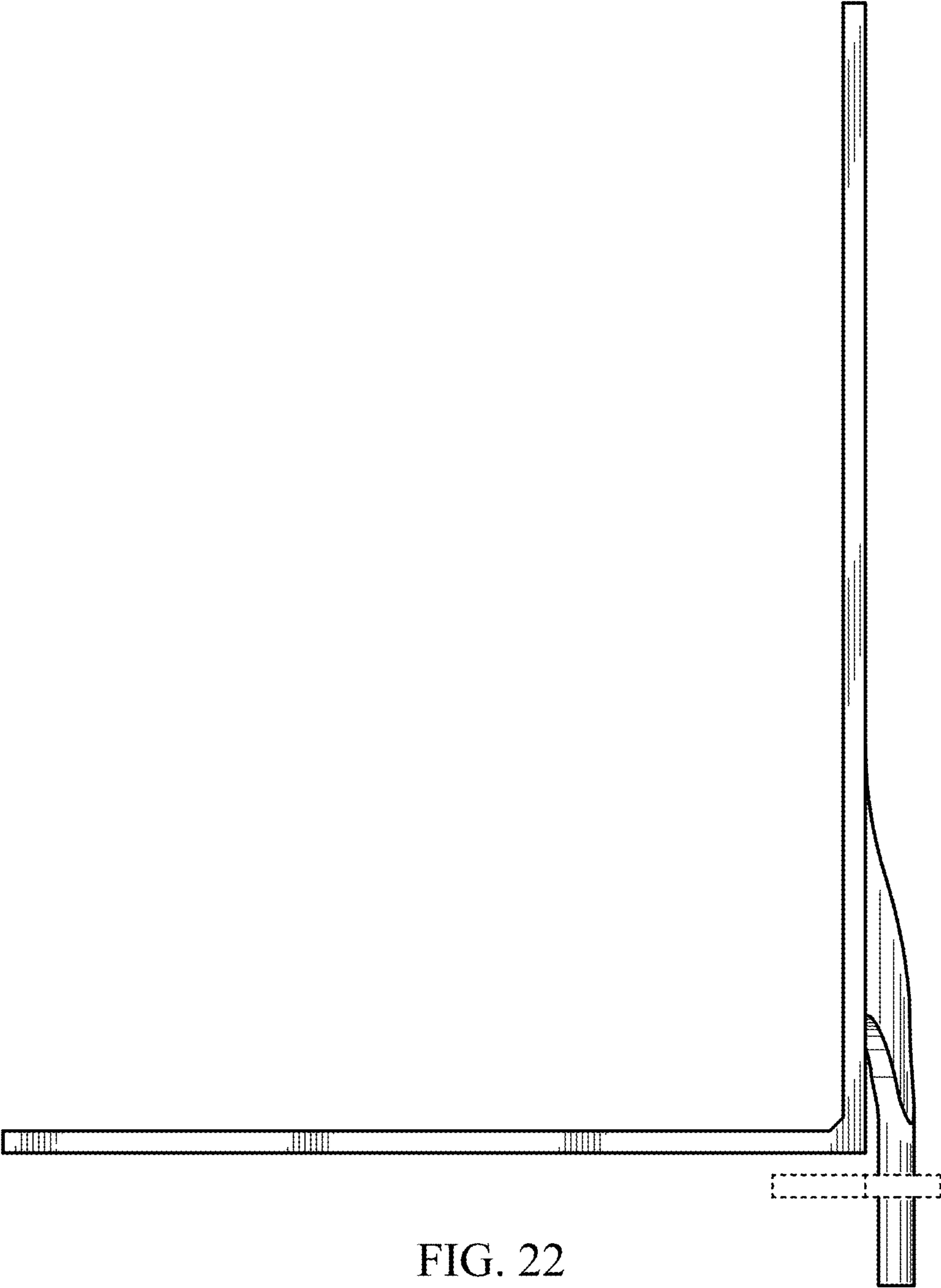


FIG. 22



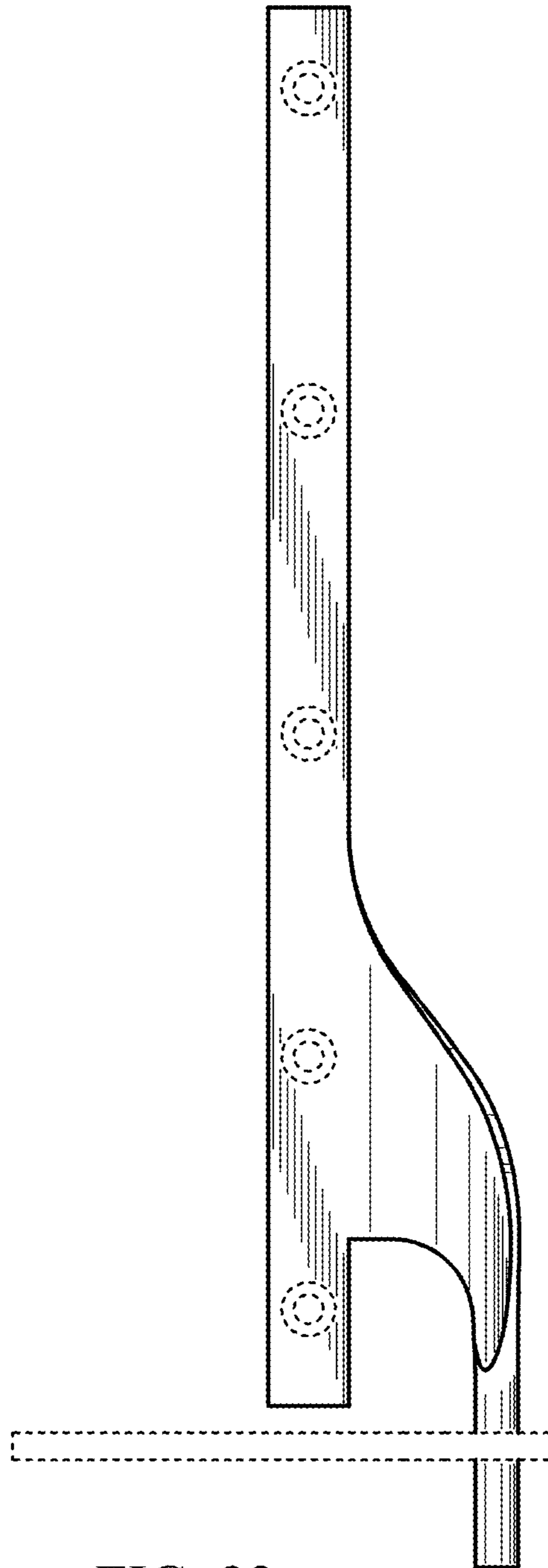


FIG. 23

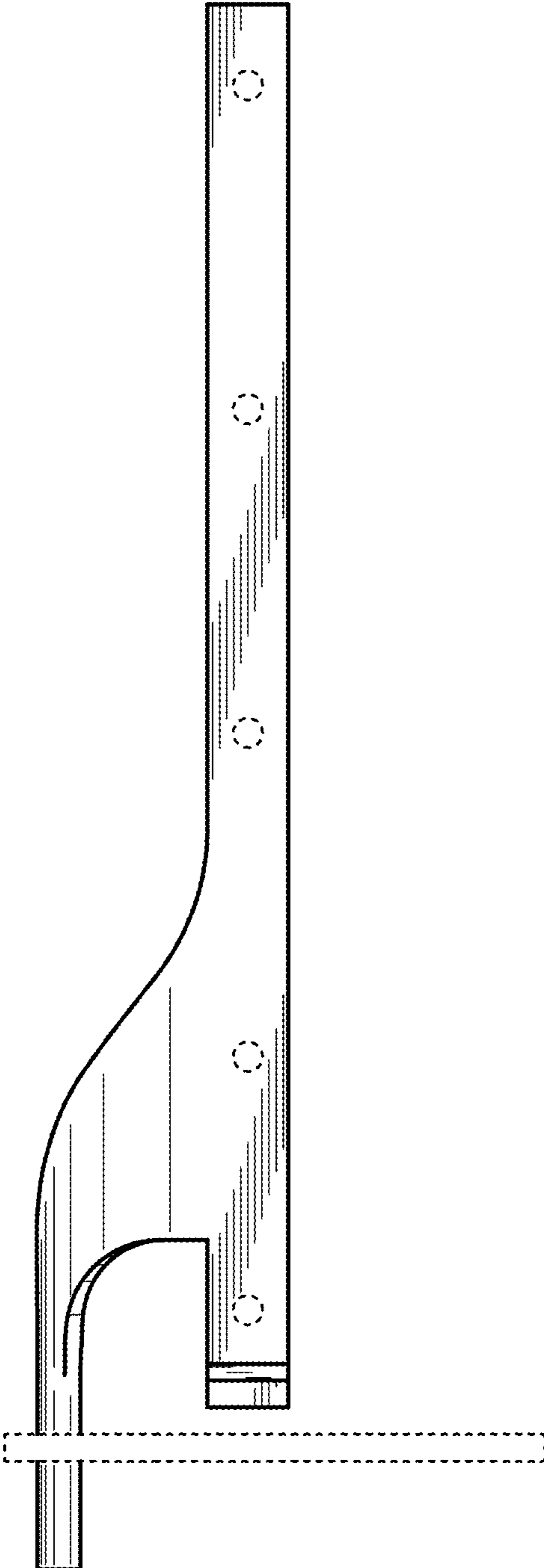


FIG. 24

A technical drawing of a bracket. It consists of a vertical stem on the left that curves downwards and to the right at its base. A horizontal arm extends to the right from the upper part of the stem. The horizontal arm has three circular holes spaced along its length. The stem has a circular hole near its top. Dashed lines indicate the original rectangular shape of the stem and the curved end, which is shown as a solid line with a curved profile.

FIG. 25

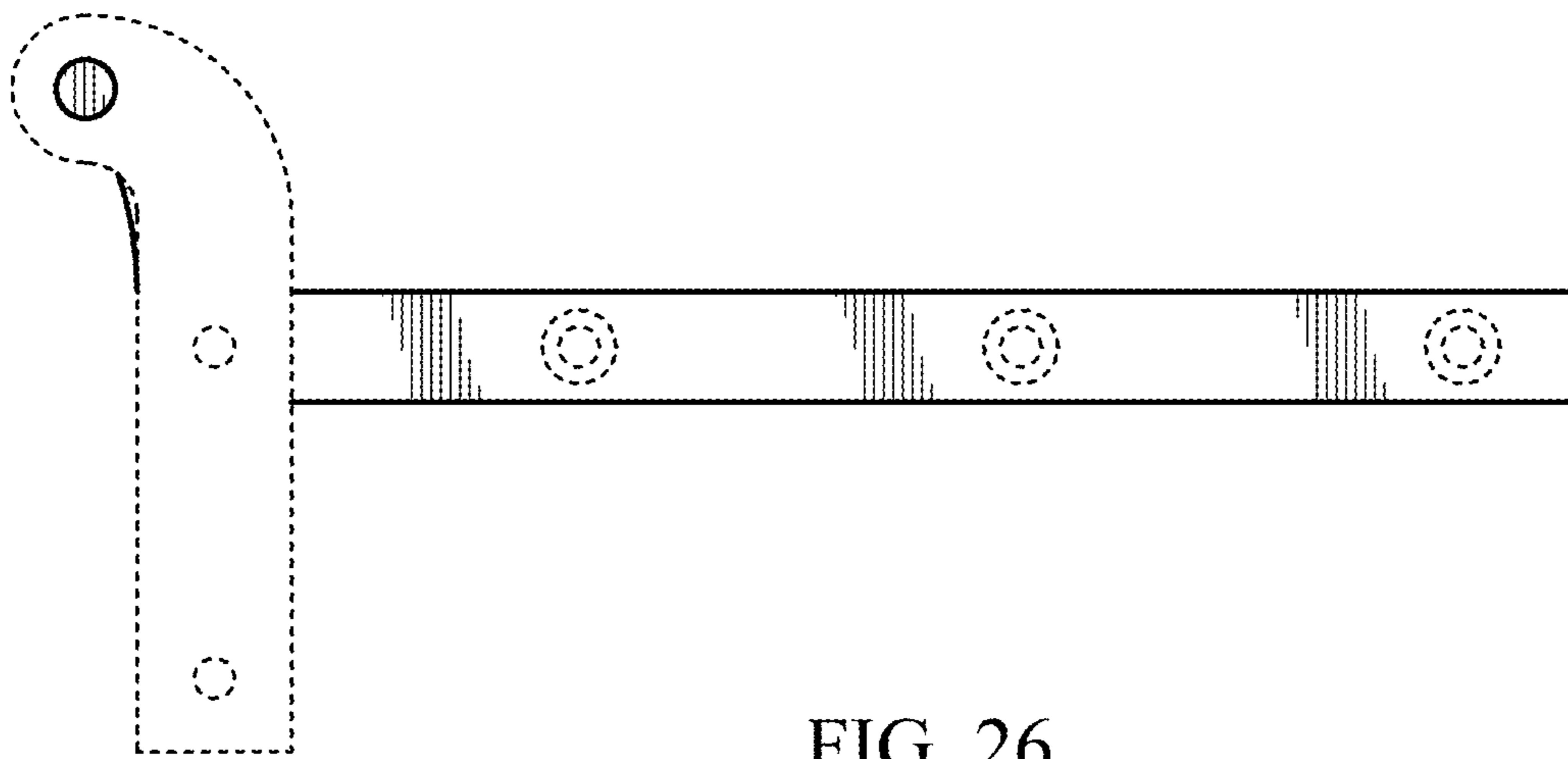


FIG. 26

The drawing shows a mechanical bracket in a perspective view. It consists of a vertical post and a horizontal arm. The vertical post is on the right, with a curved section at its base. The horizontal arm extends from the base of the post to the left. Both the post and the arm have several circular holes spaced along their length. A dashed line indicates a curved section at the base of the post, suggesting a transition or a specific mounting point. The drawing uses standard technical conventions, including hatching to indicate different surfaces and dashed lines for hidden or alternative parts.

FIG. 27

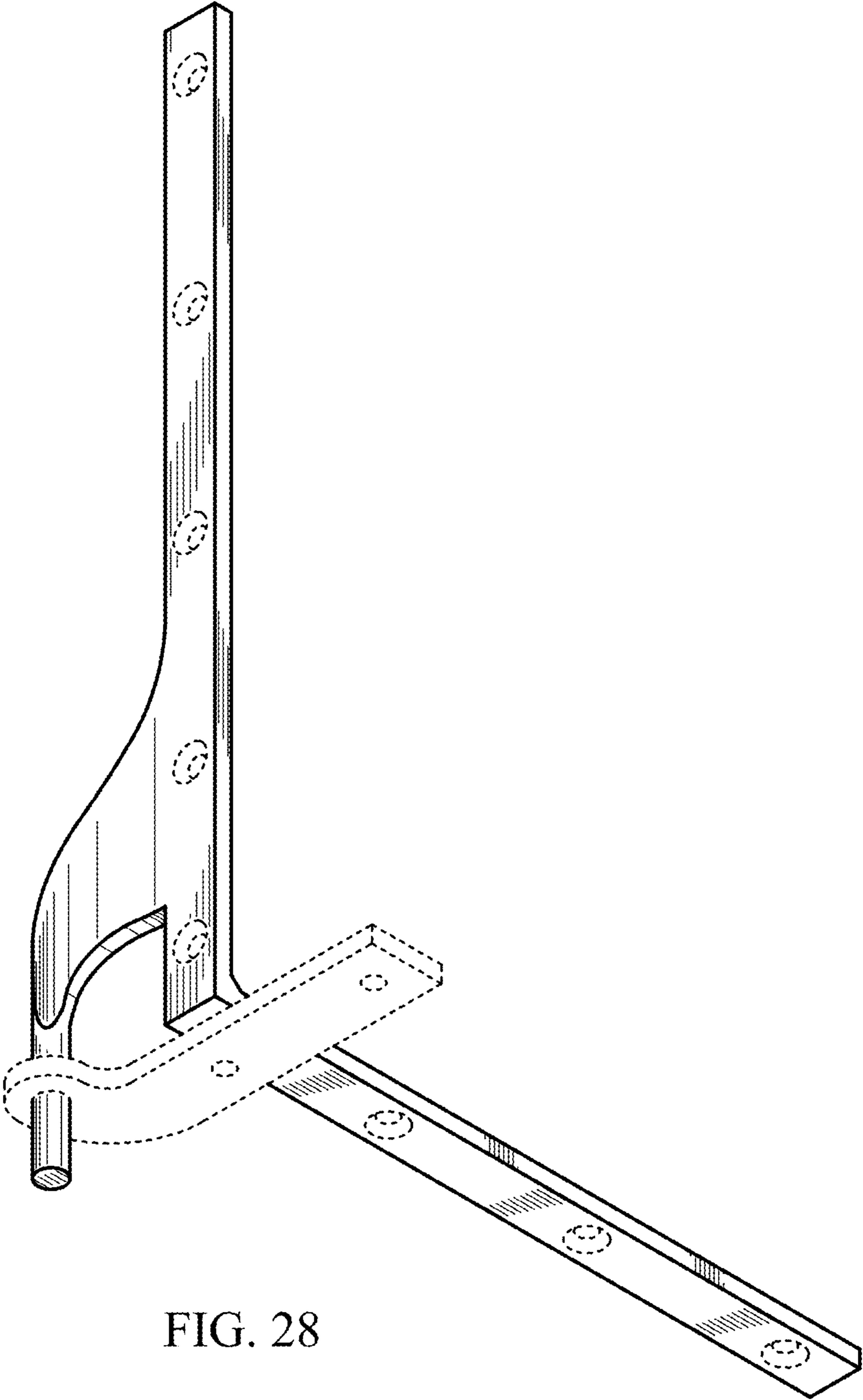


FIG. 28

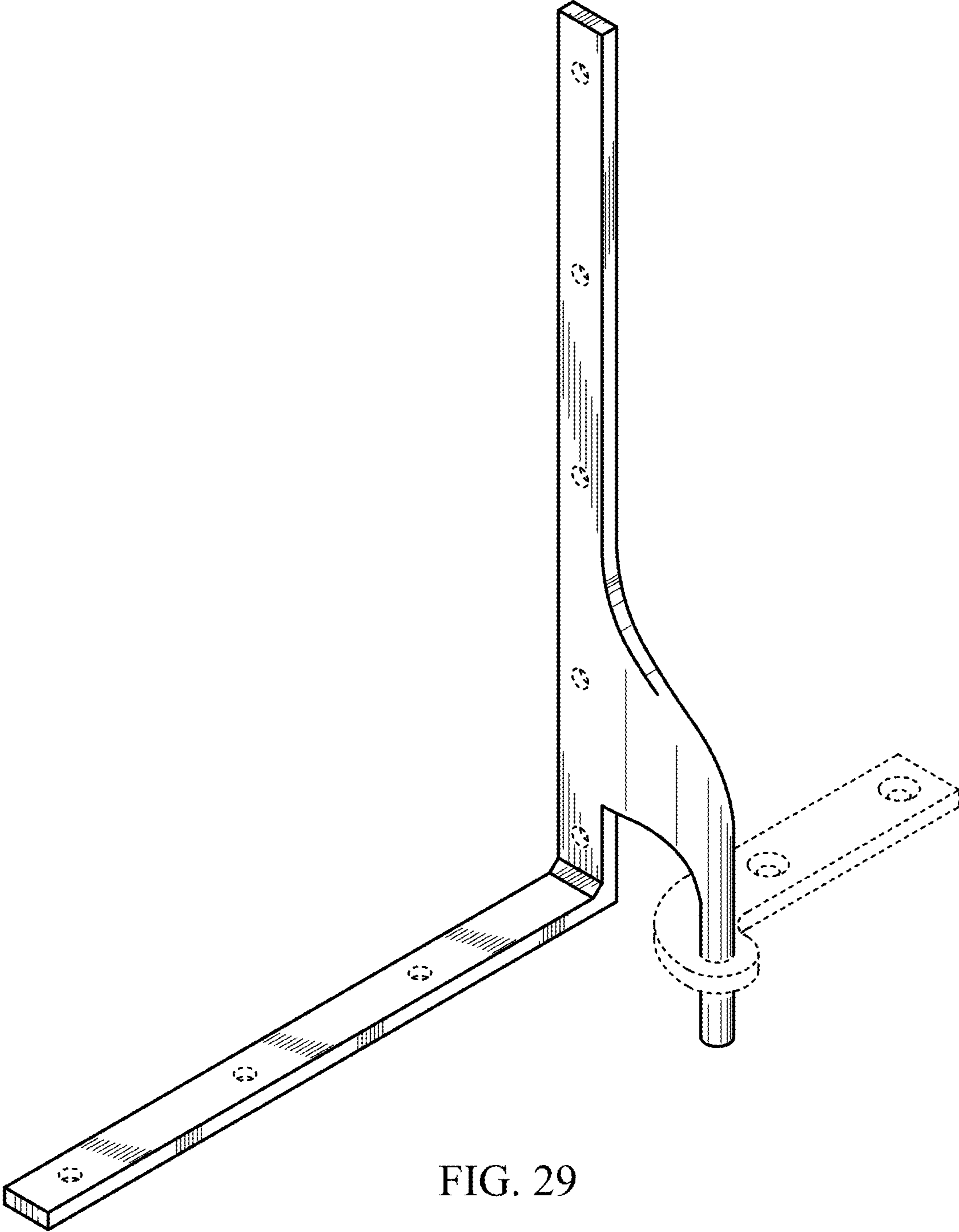


FIG. 29

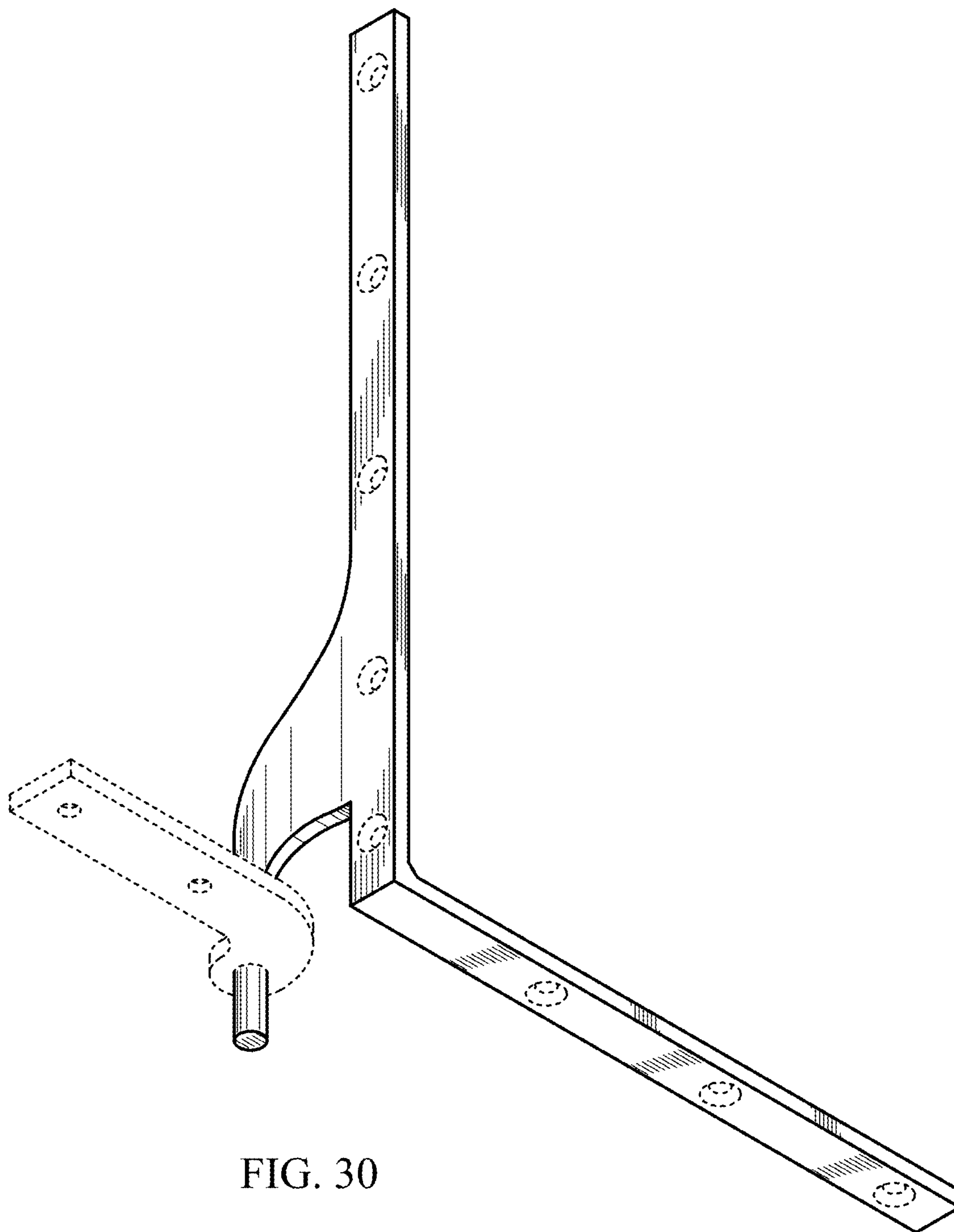


FIG. 30





FIG. 31

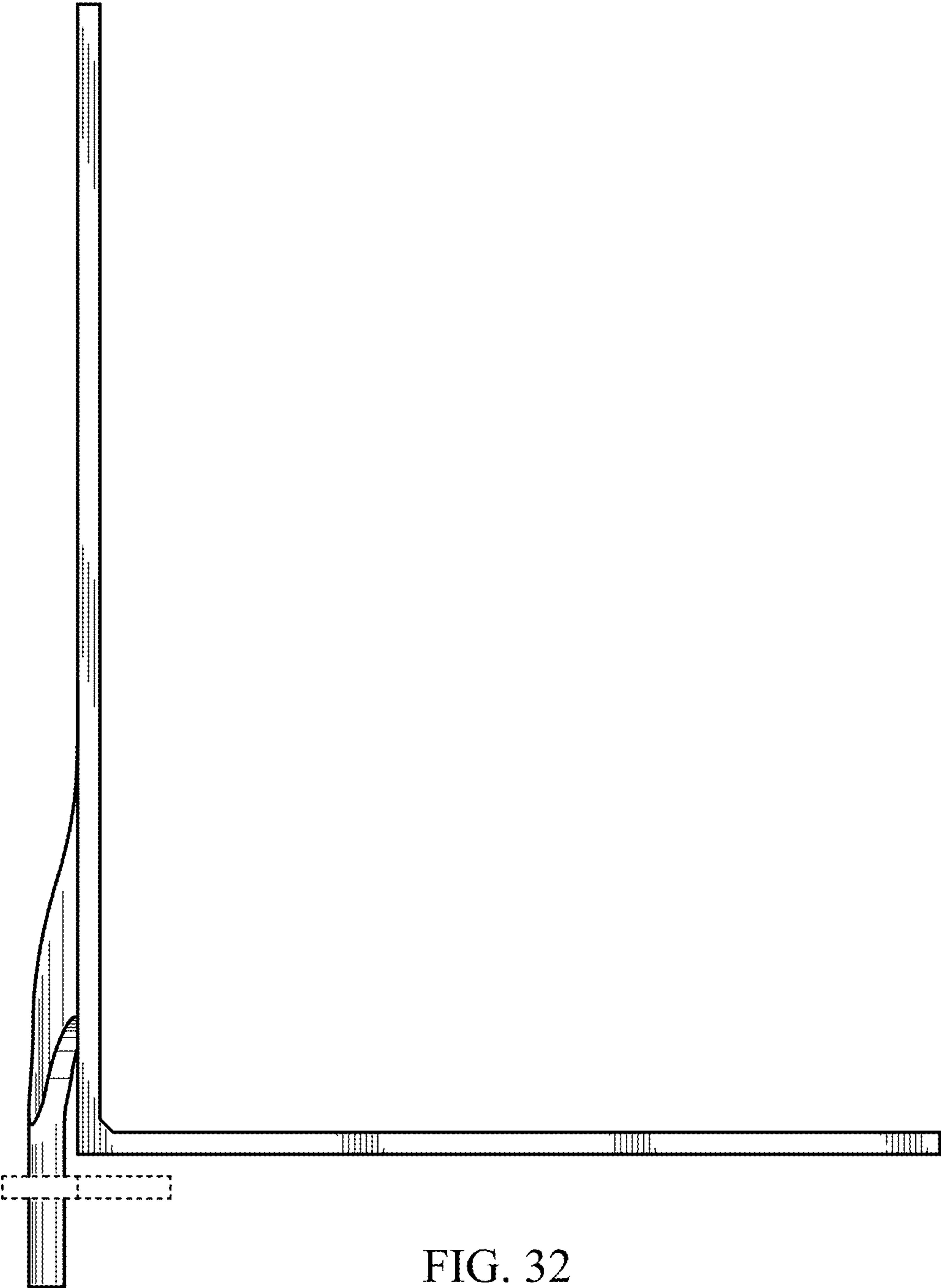


FIG. 32

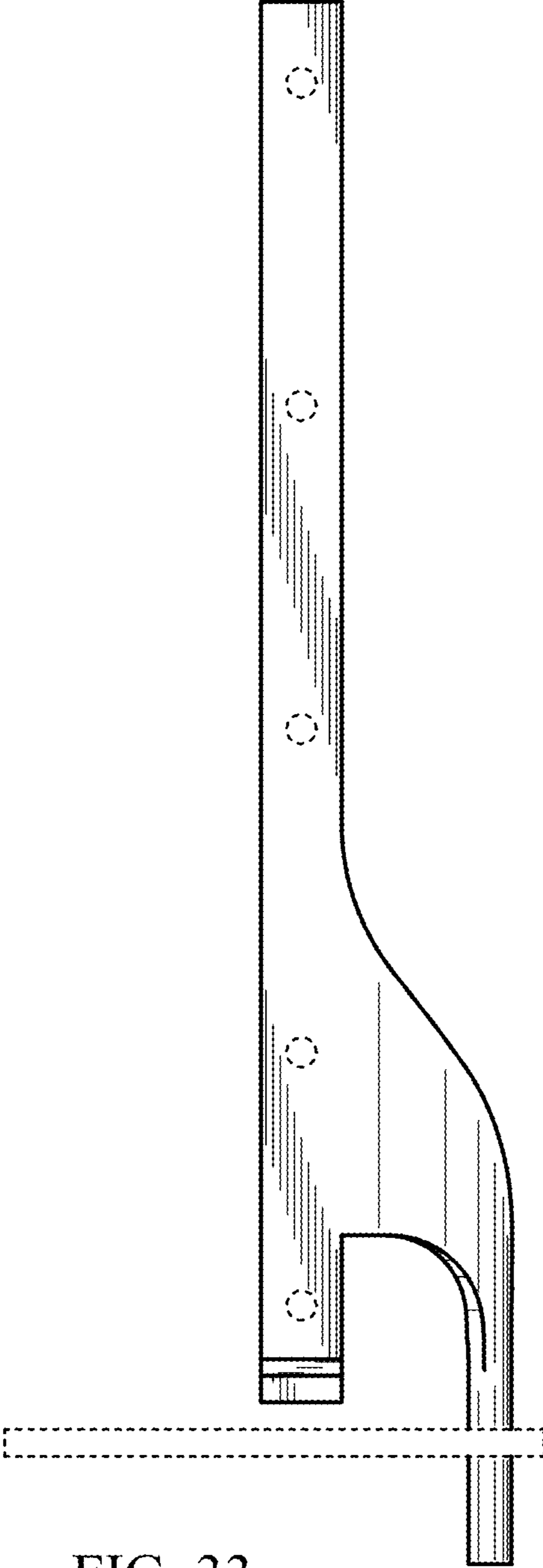


FIG. 33

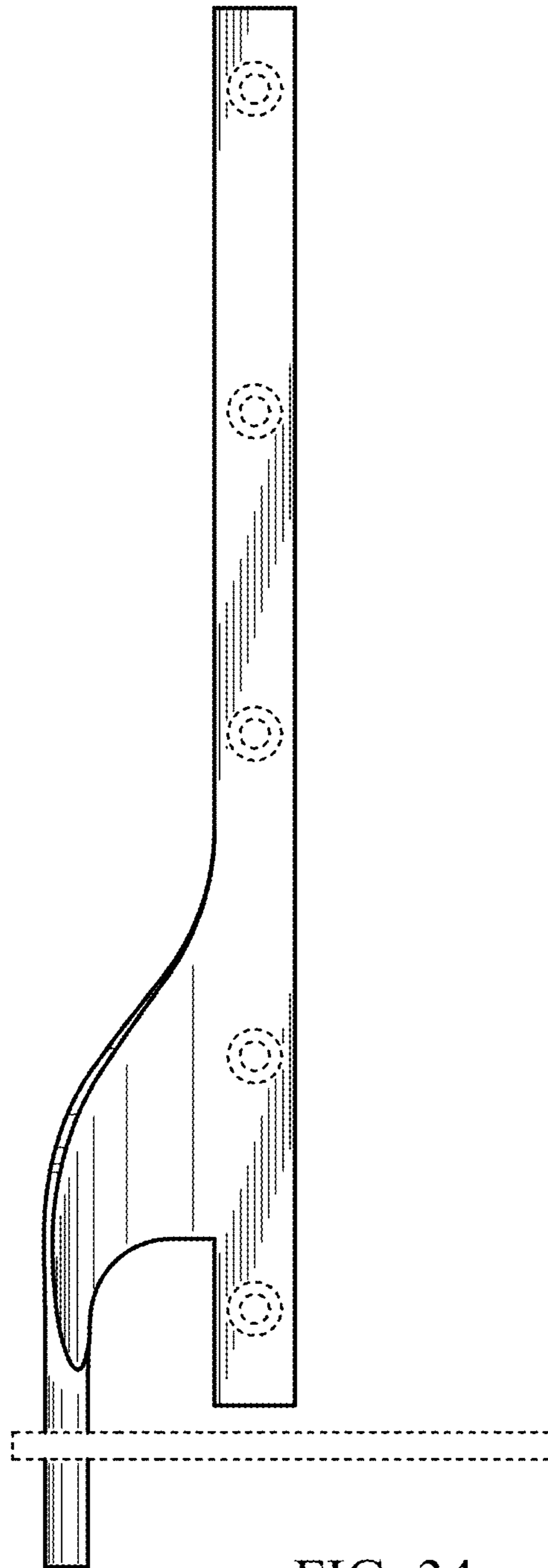


FIG. 34

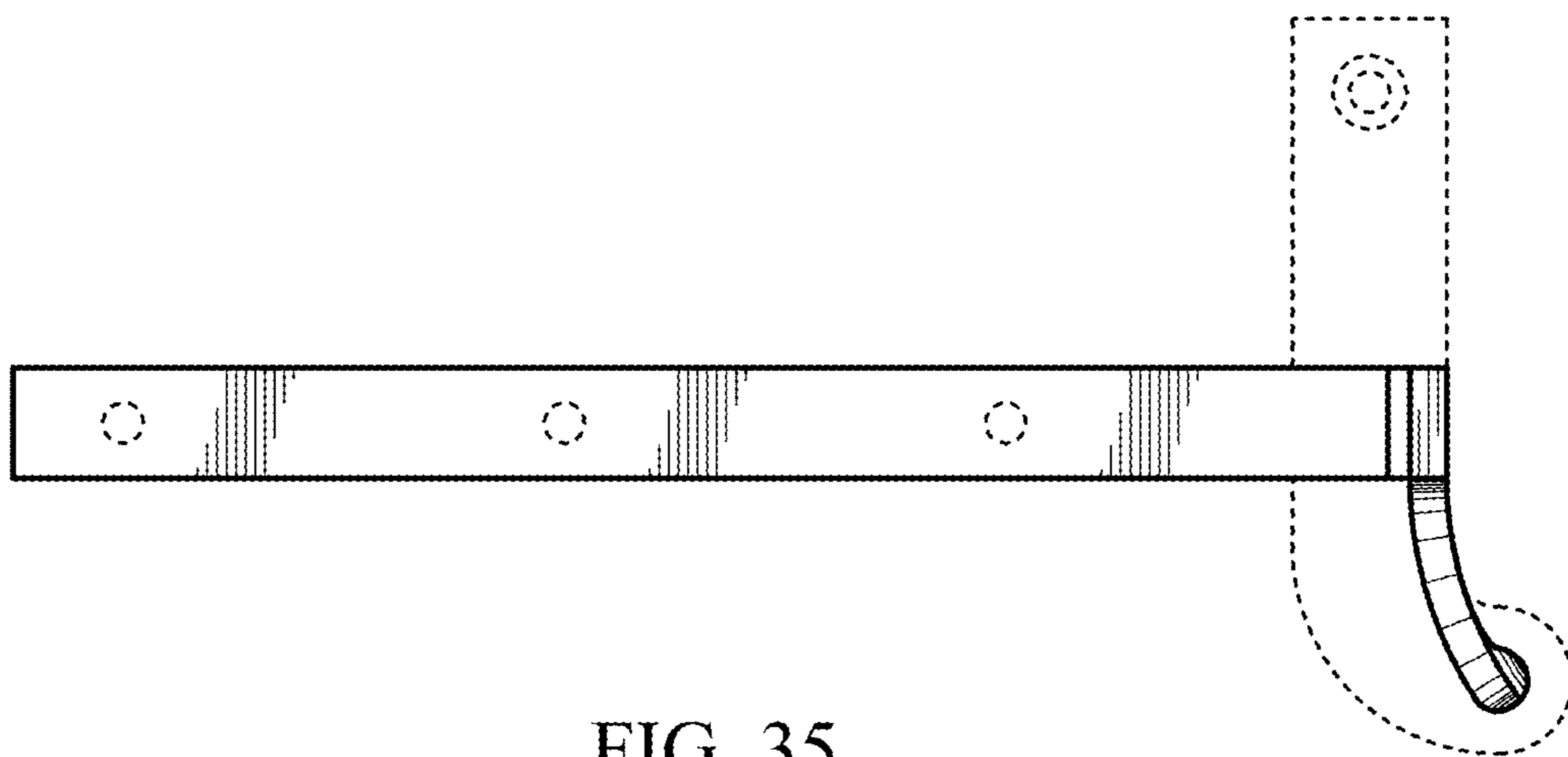


FIG. 35

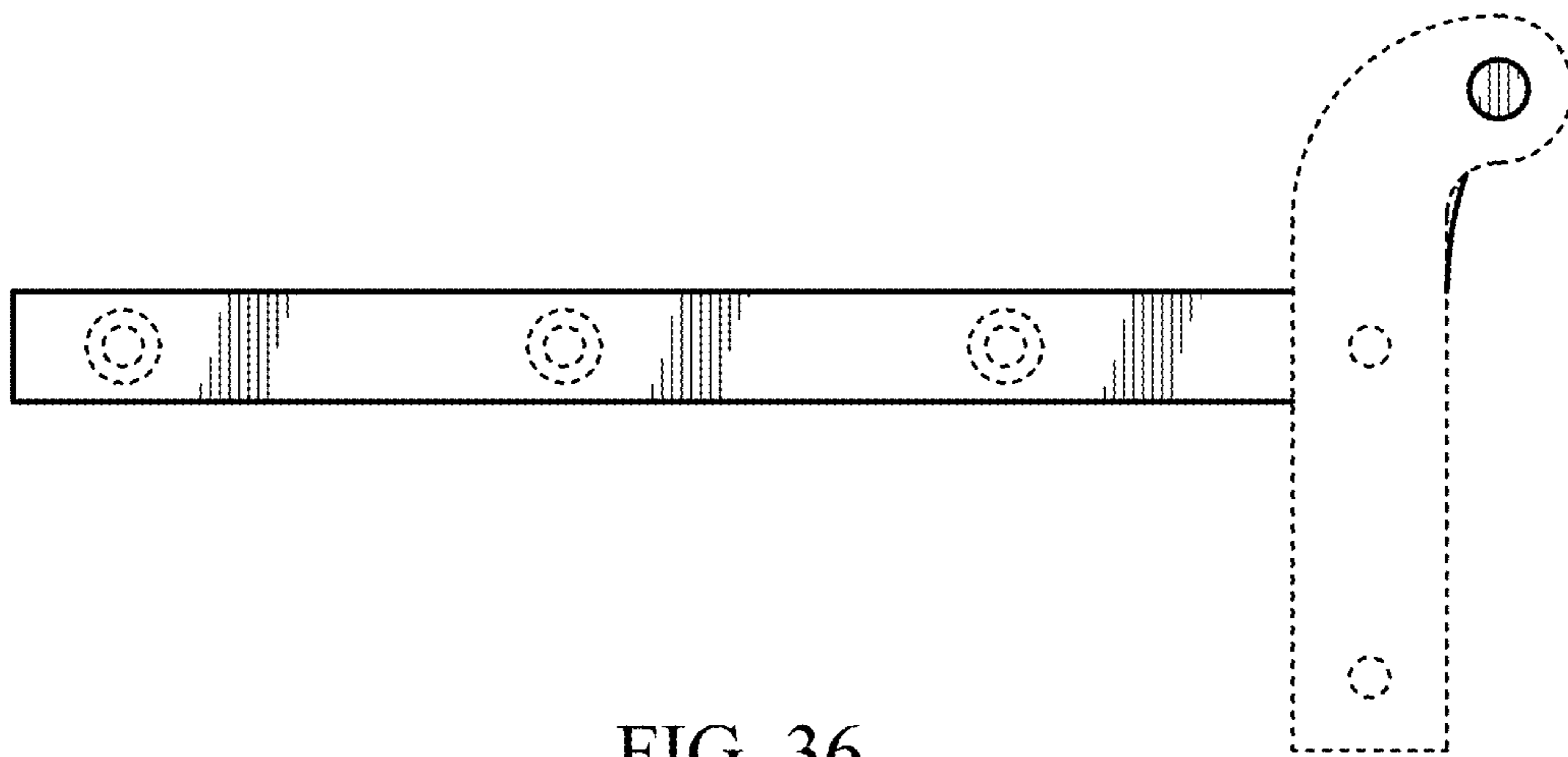


FIG. 36

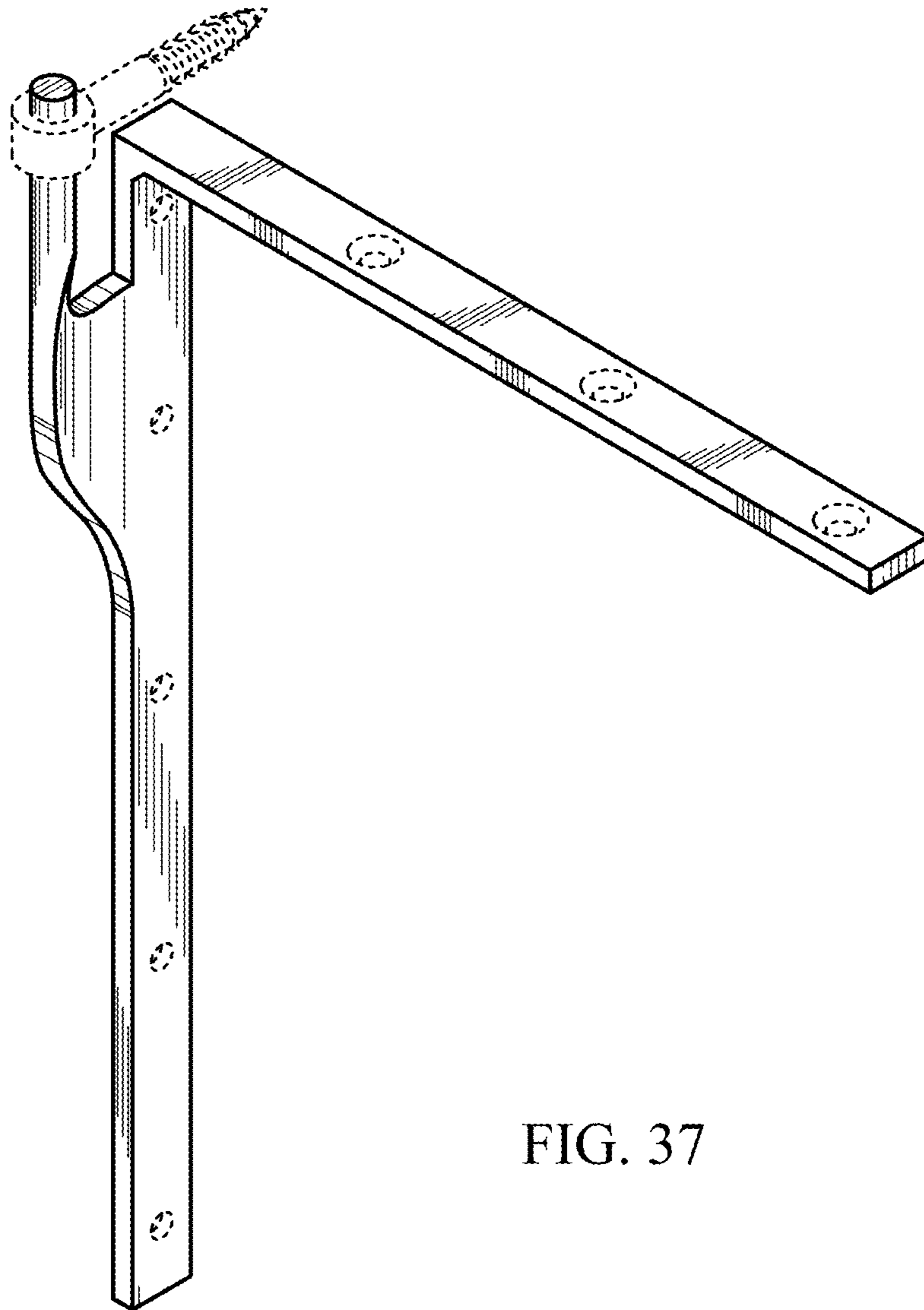


FIG. 37

A technical drawing of a metal bracket. It consists of a vertical post on the right and a diagonal arm extending from the top of the post to the left. The vertical post has five circular holes spaced evenly along its length. The diagonal arm has three circular holes. At the top of the vertical post, there is a screw with a textured head, which is shown in a dashed line to indicate it is partially obscured or in a specific assembly position. The drawing uses standard engineering conventions, including hatching to indicate different views of the object.

FIG. 38



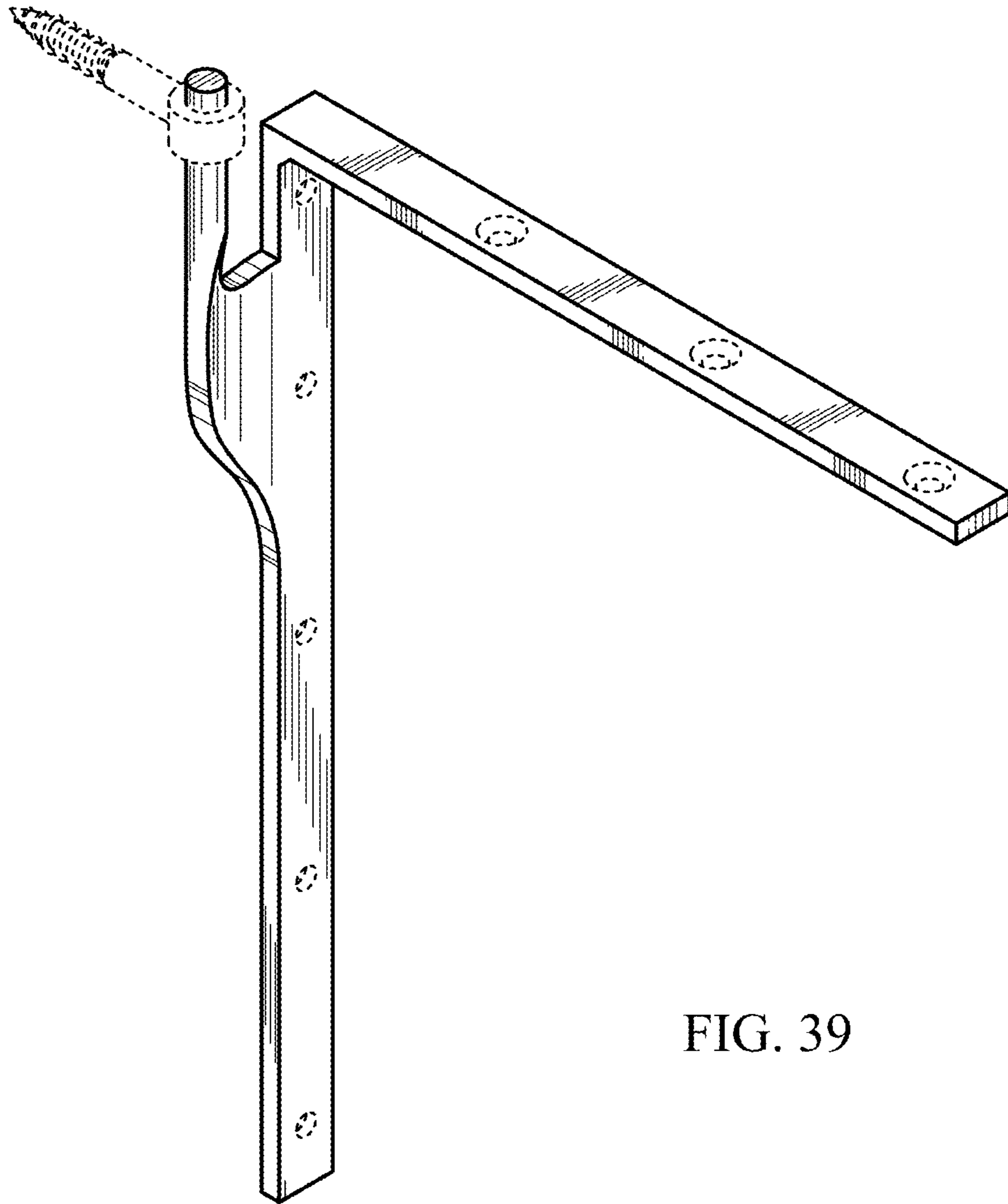


FIG. 39

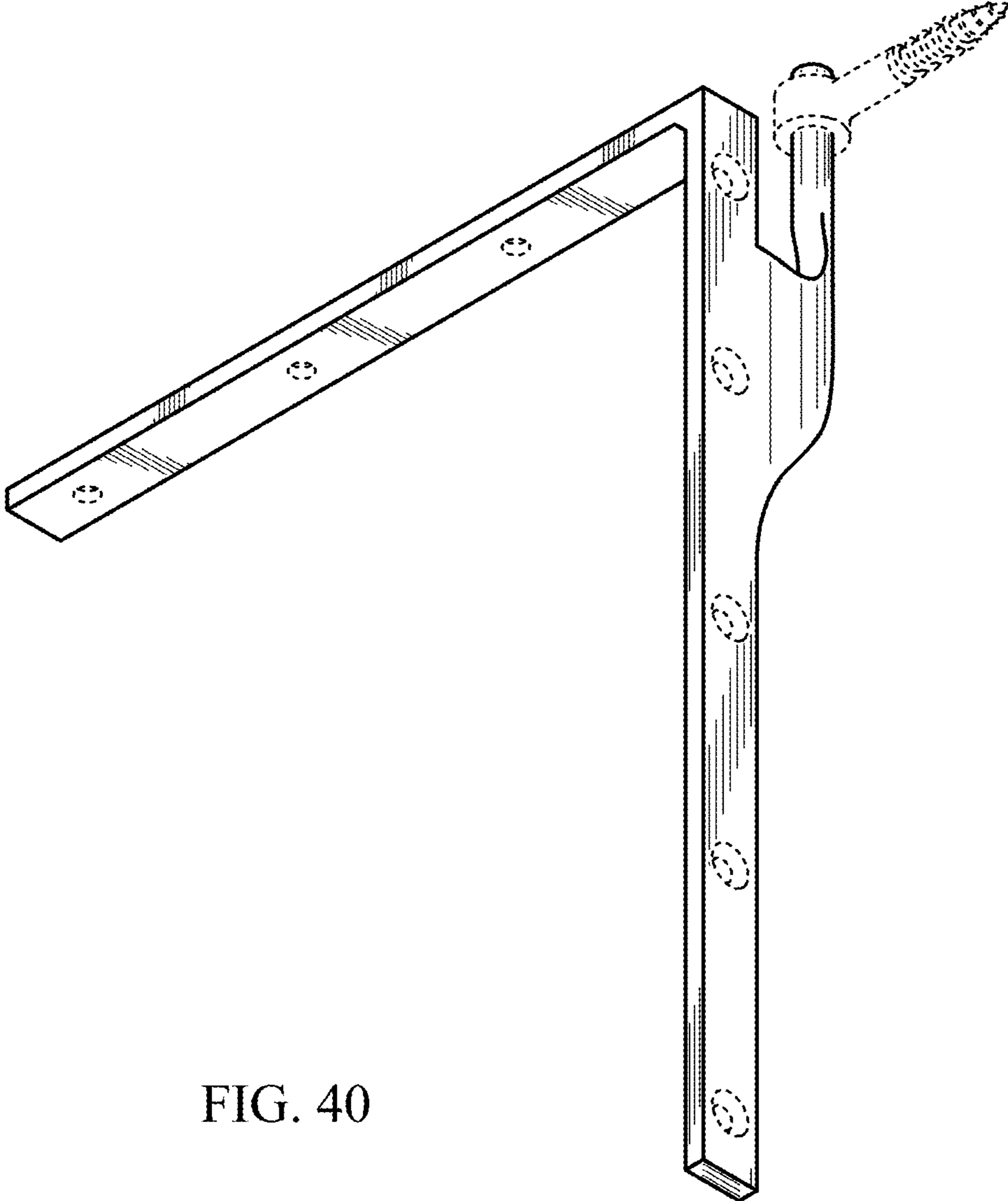


FIG. 40

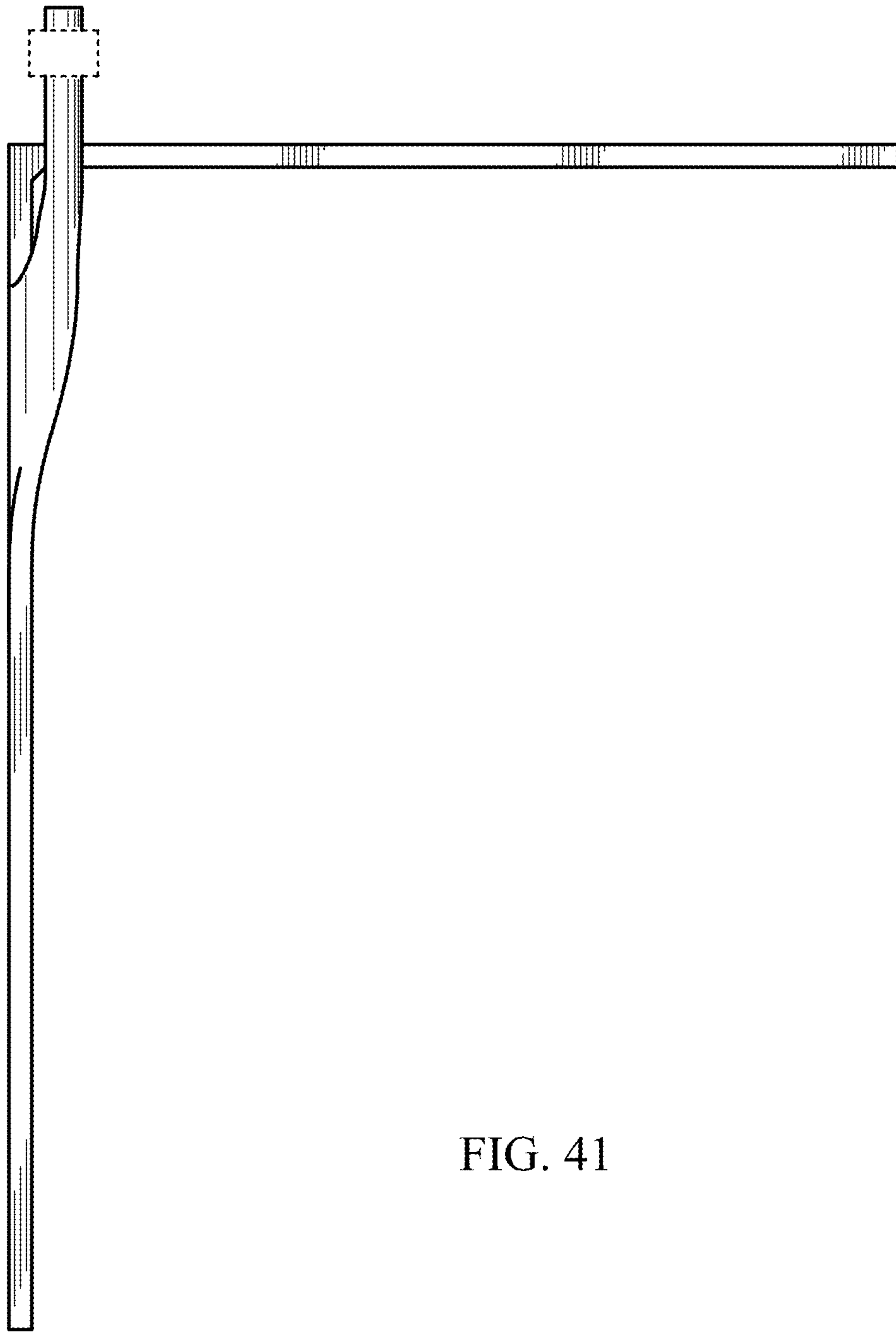


FIG. 41



FIG. 42

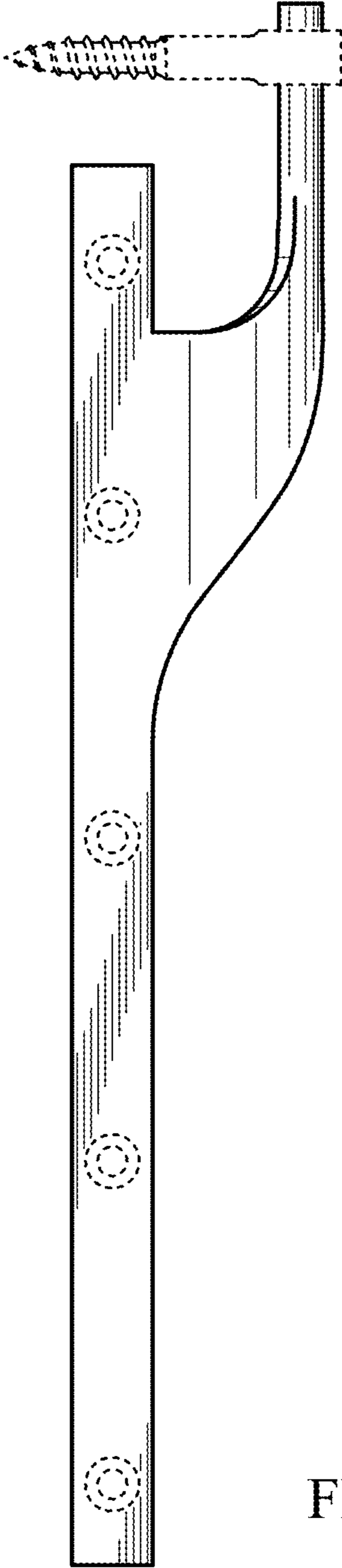


FIG. 43

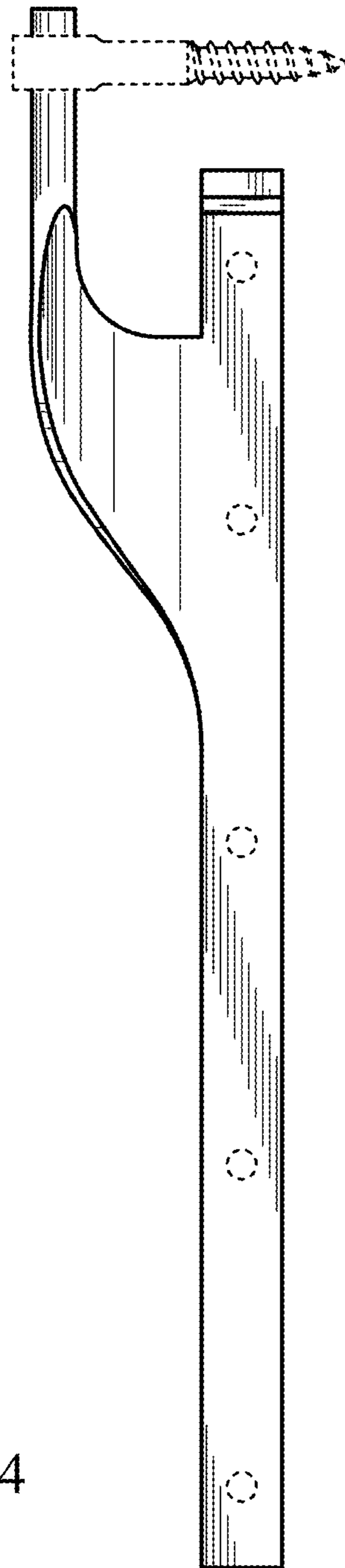


FIG. 44

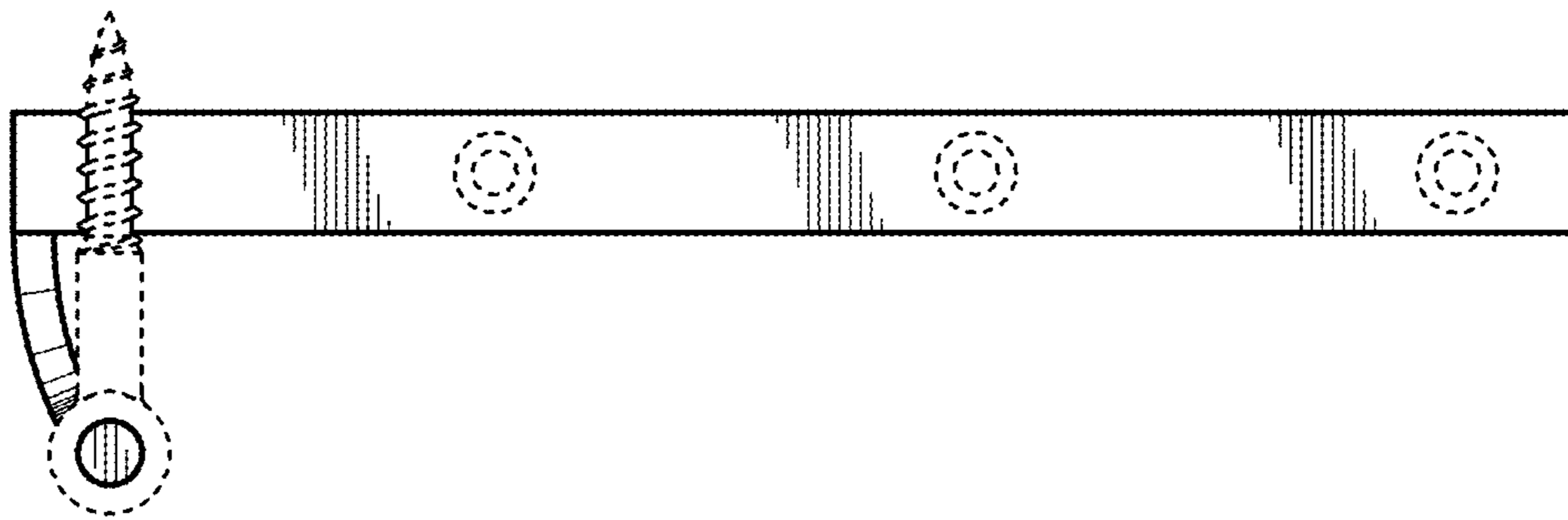


FIG. 45

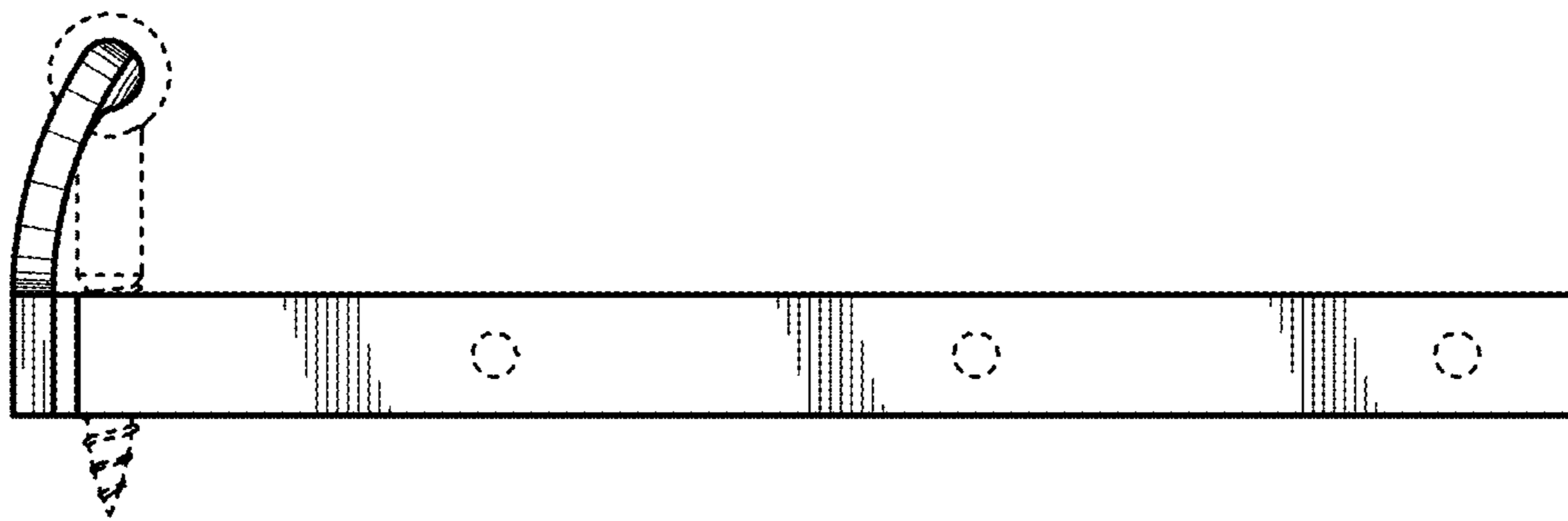


FIG. 46



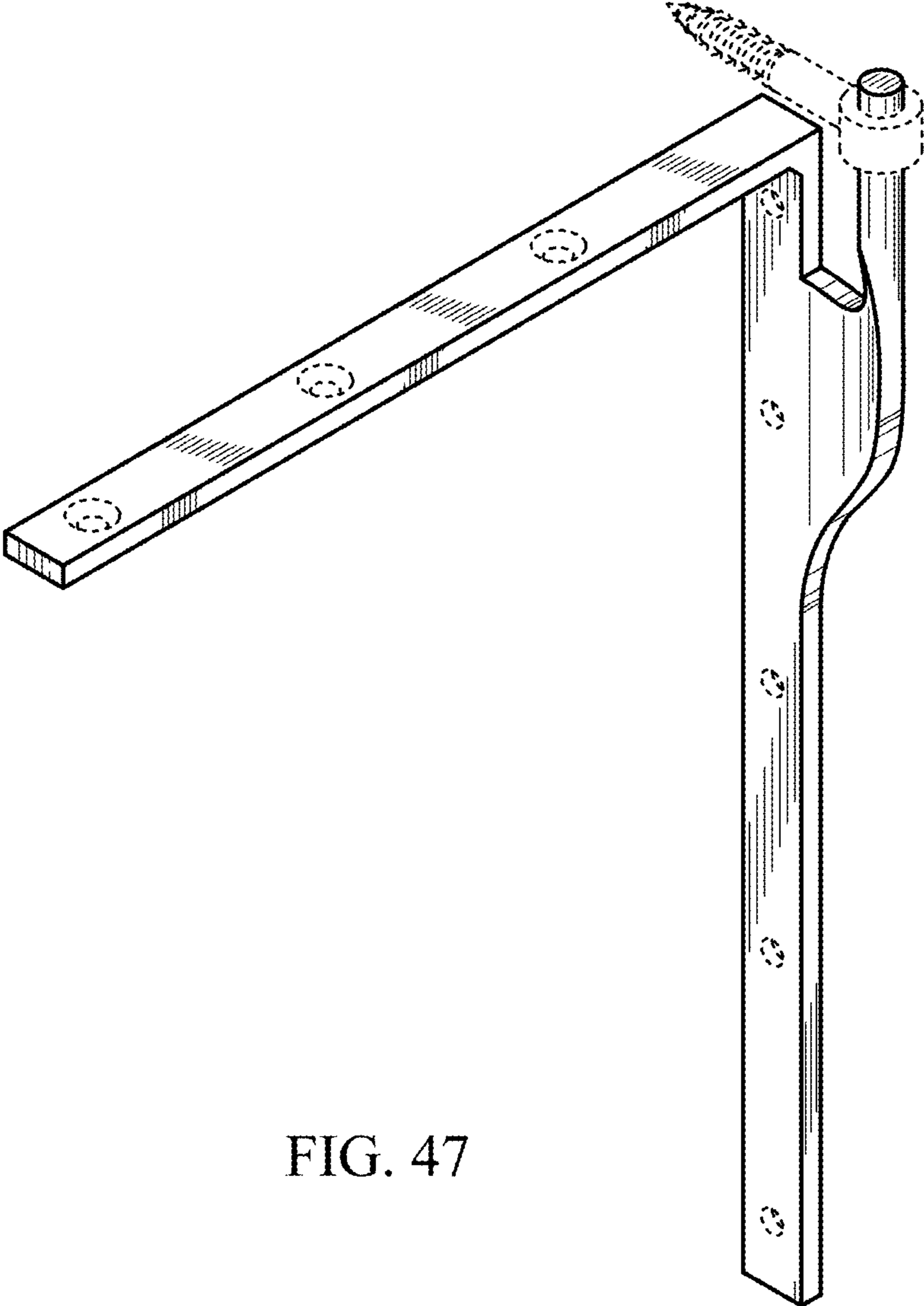


FIG. 47

The drawing shows a mechanical bracket with a vertical post and a horizontal arm. The vertical post has five circular holes spaced vertically. The horizontal arm has three circular holes spaced along its length. At the top of the vertical post, there is a textured, cylindrical component. The entire assembly is shown in a perspective view.

FIG. 48

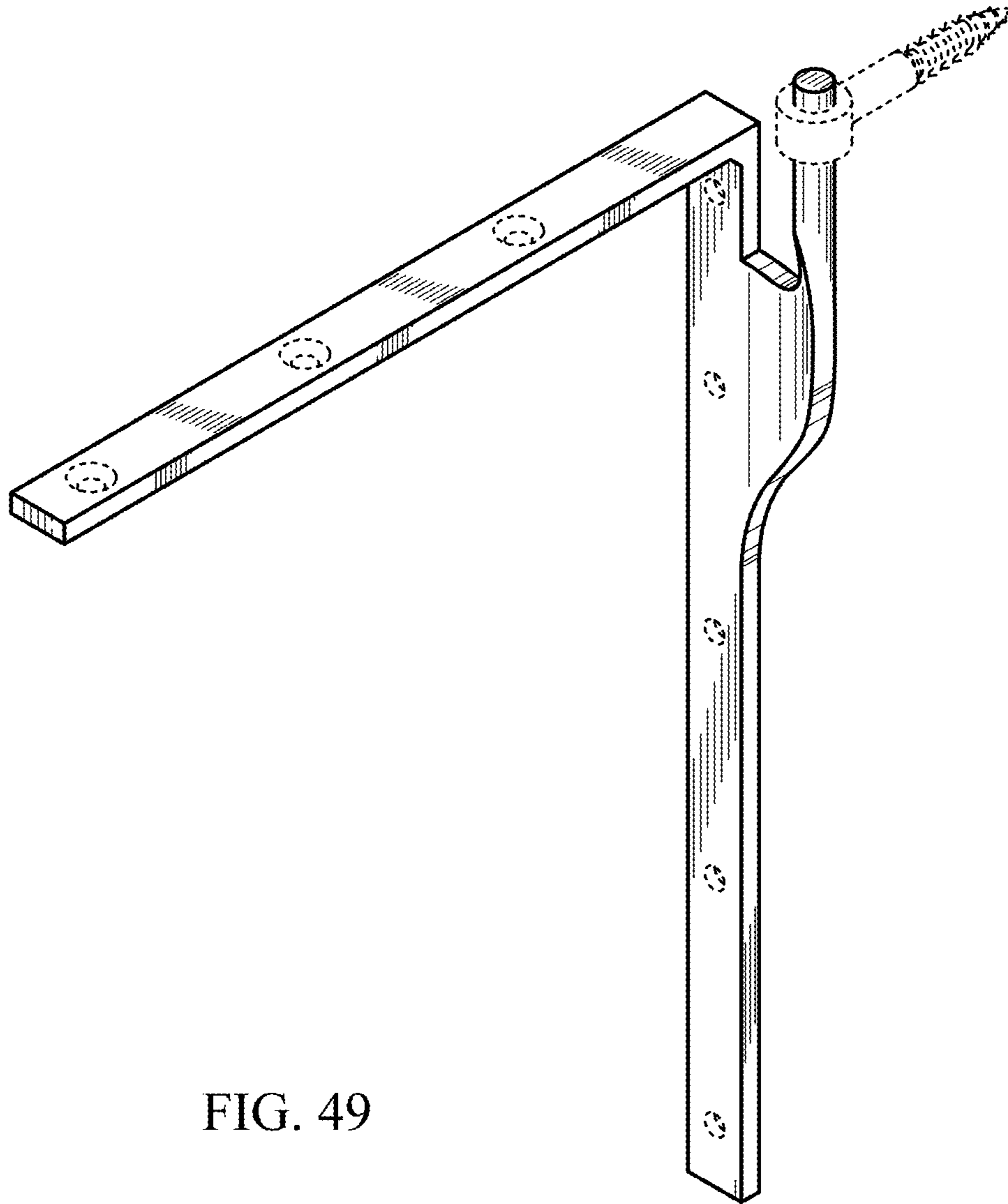


FIG. 49

A technical drawing of a mechanical bracket. The bracket consists of a vertical member and a horizontal member joined at a right angle. The vertical member has a curved top section and a cylindrical section. A threaded rod with a nut is inserted through the top of the vertical member. The horizontal member is attached to the side of the vertical member. Both members have several circular holes along their length. The drawing is a perspective view showing the 3D structure of the bracket.

FIG. 50

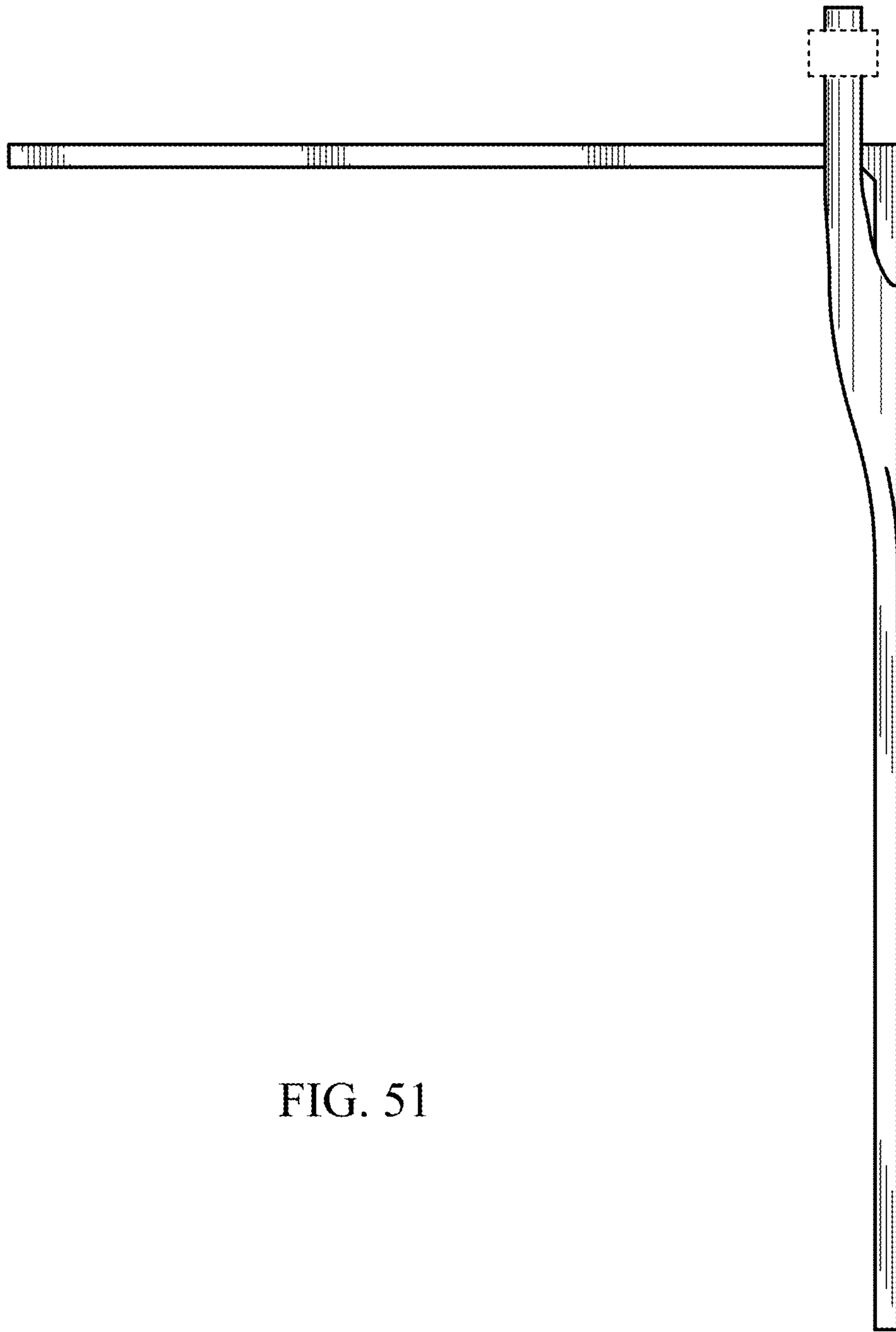


FIG. 51

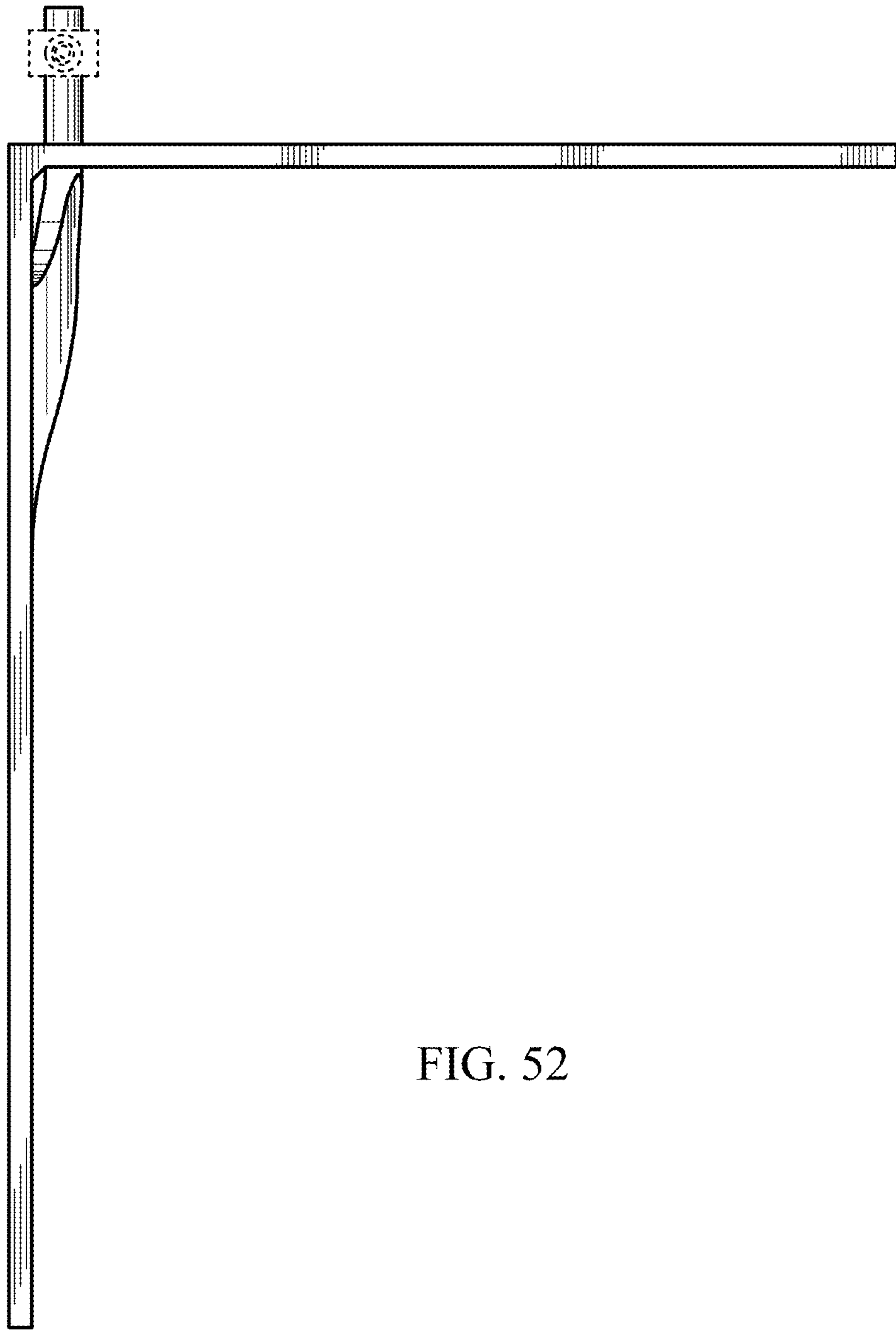


FIG. 52

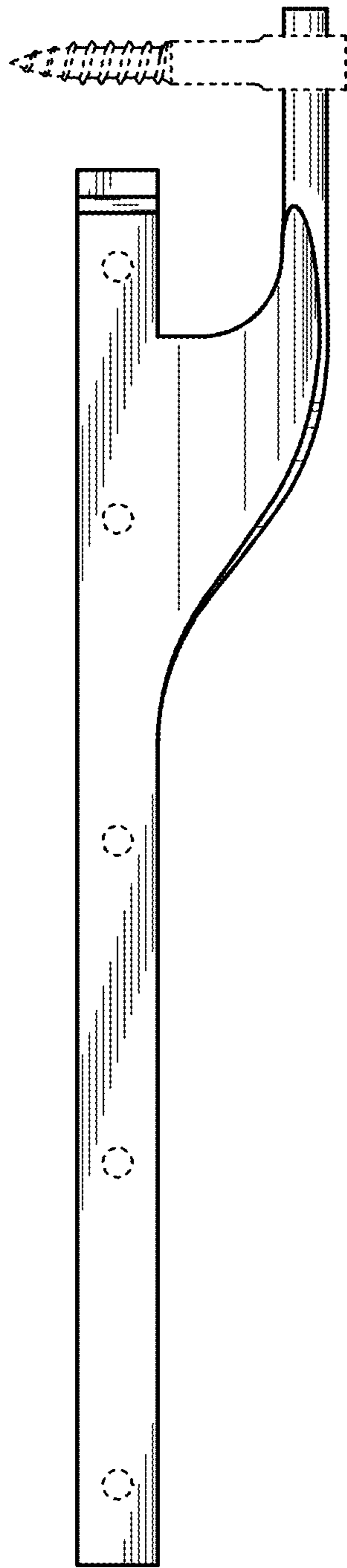


FIG. 53

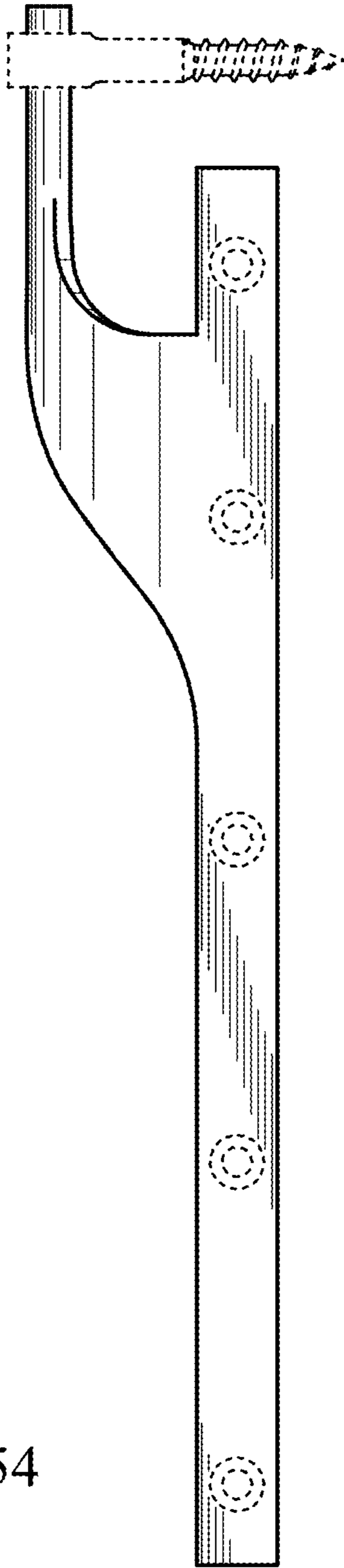


FIG. 54



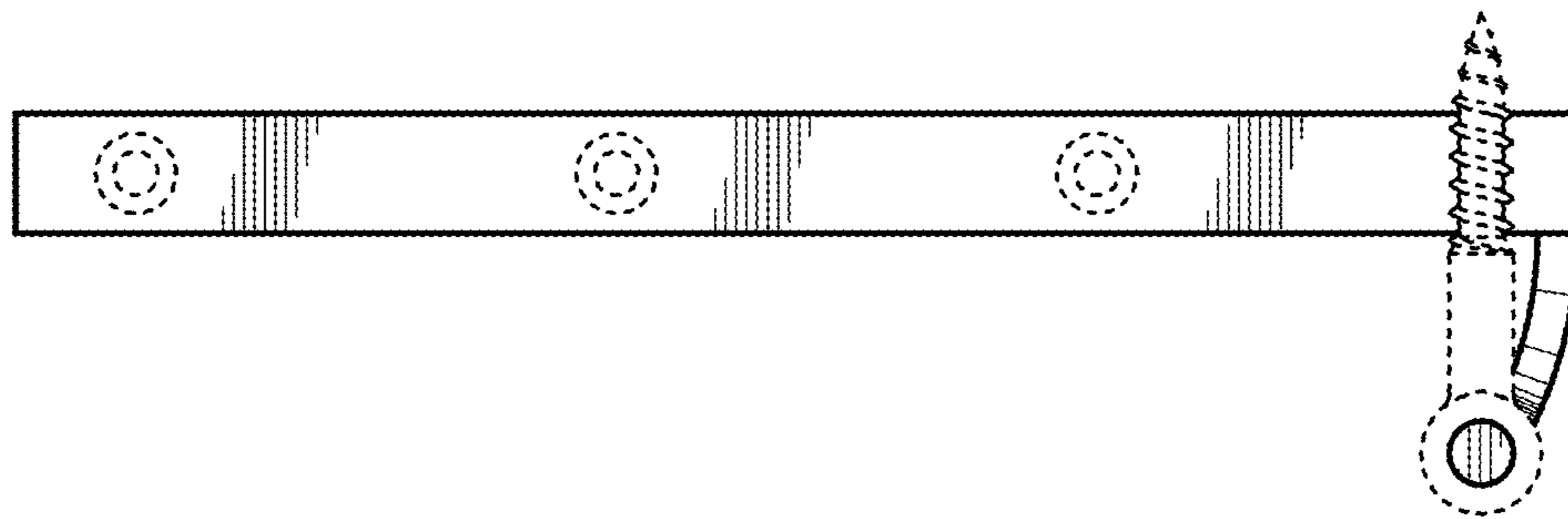


FIG. 55

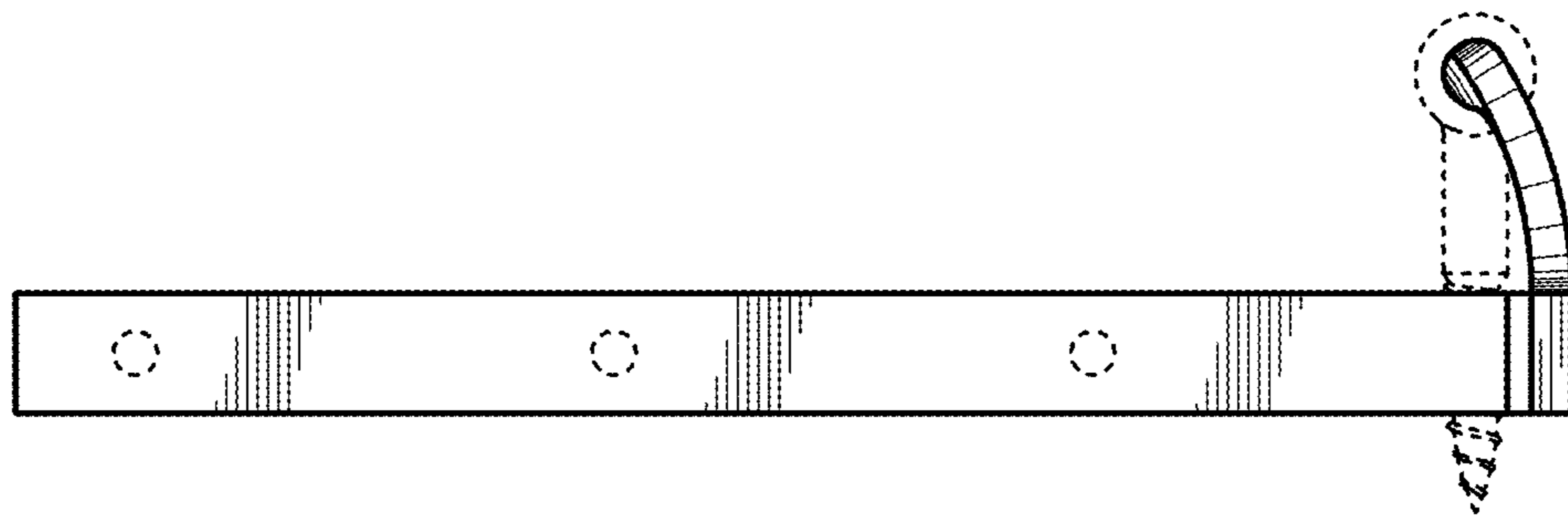


FIG. 56

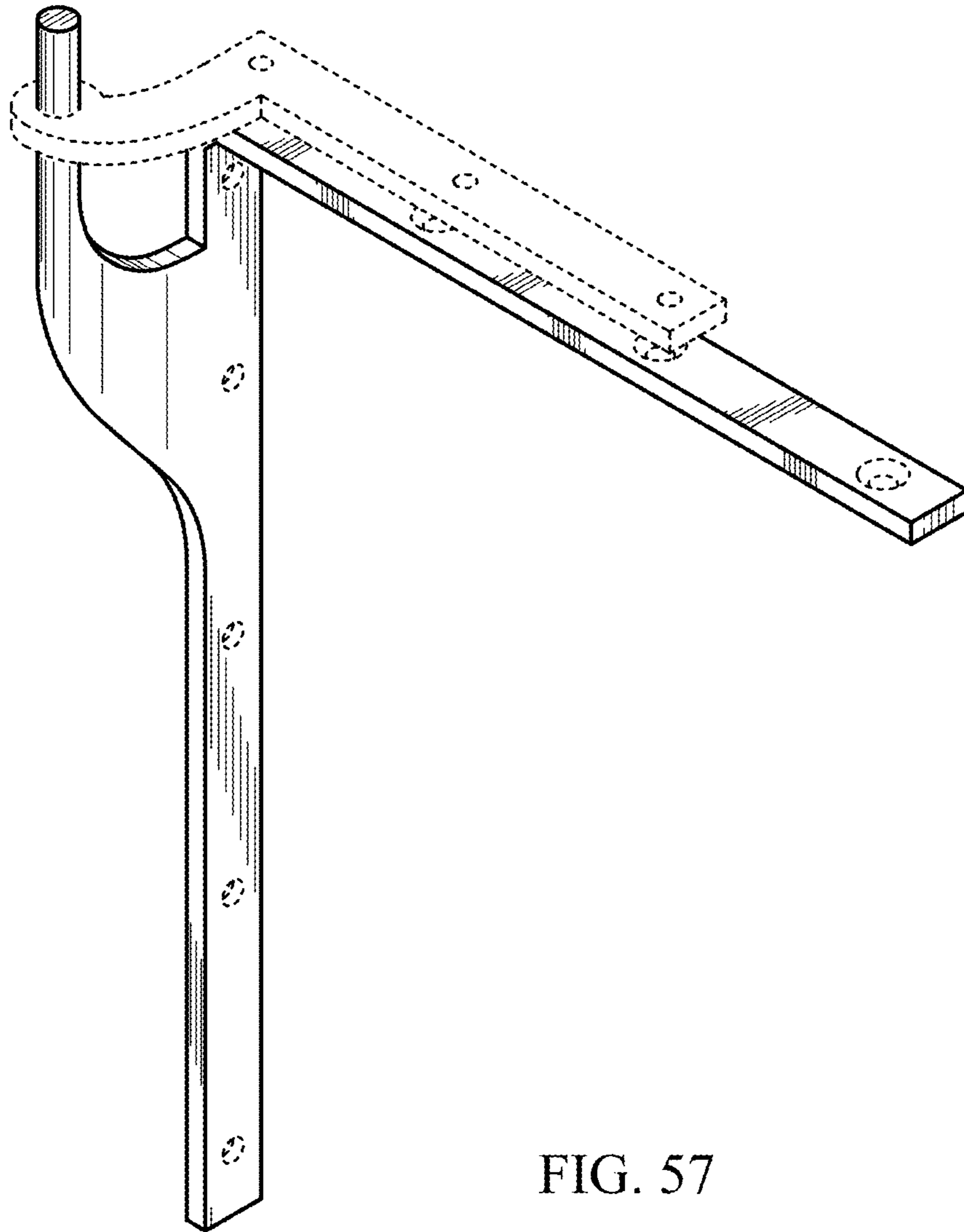


FIG. 57

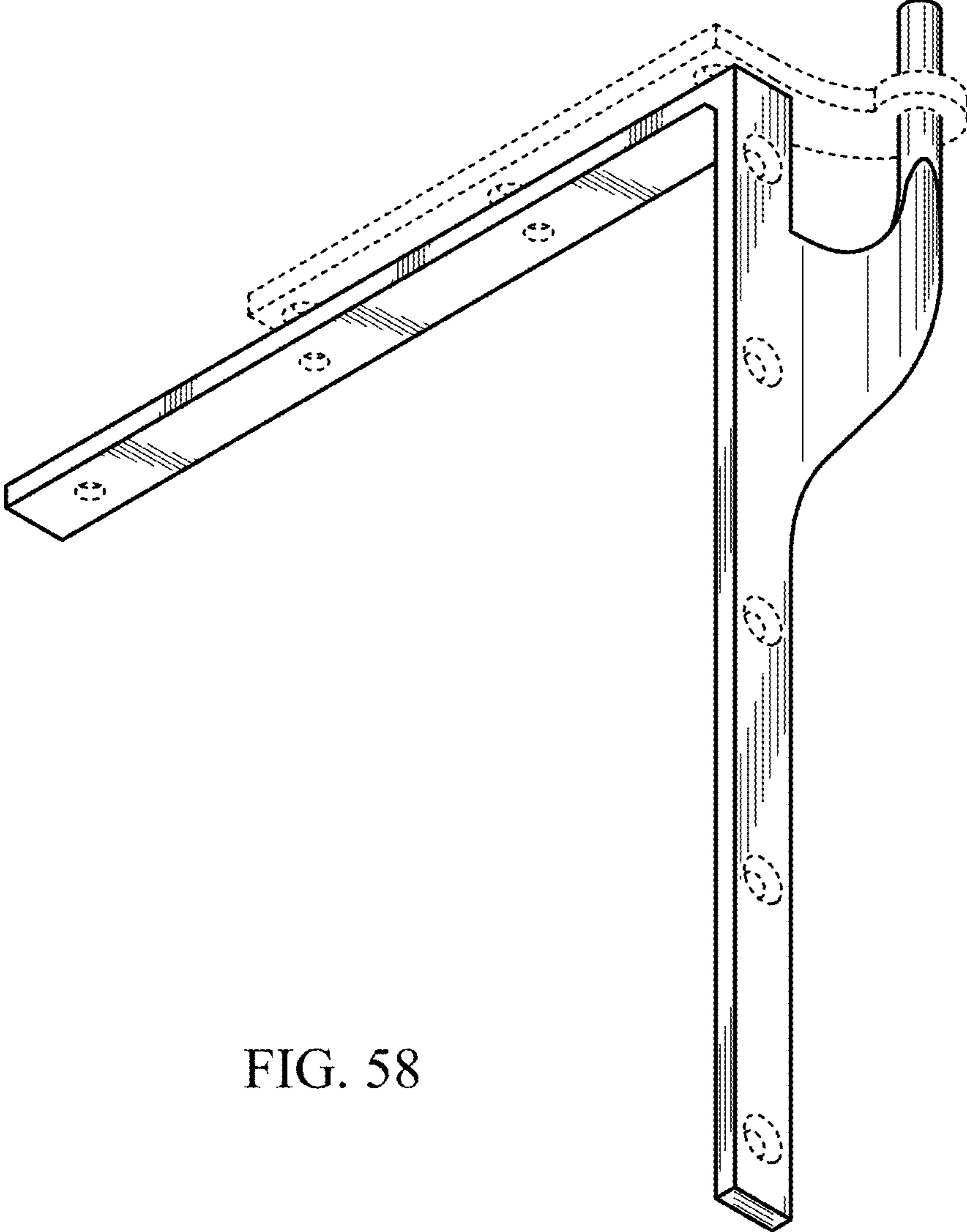


FIG. 58

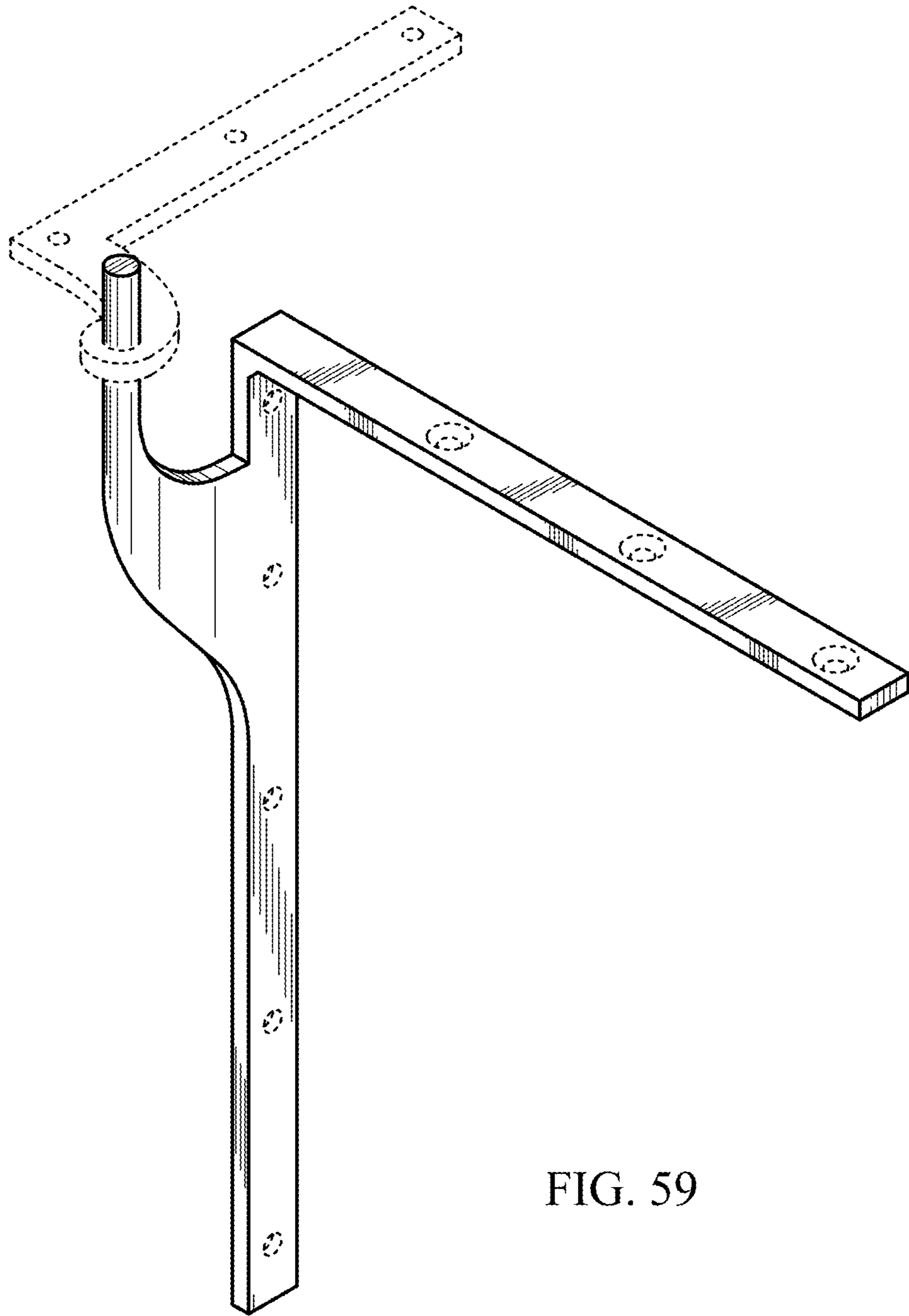


FIG. 59

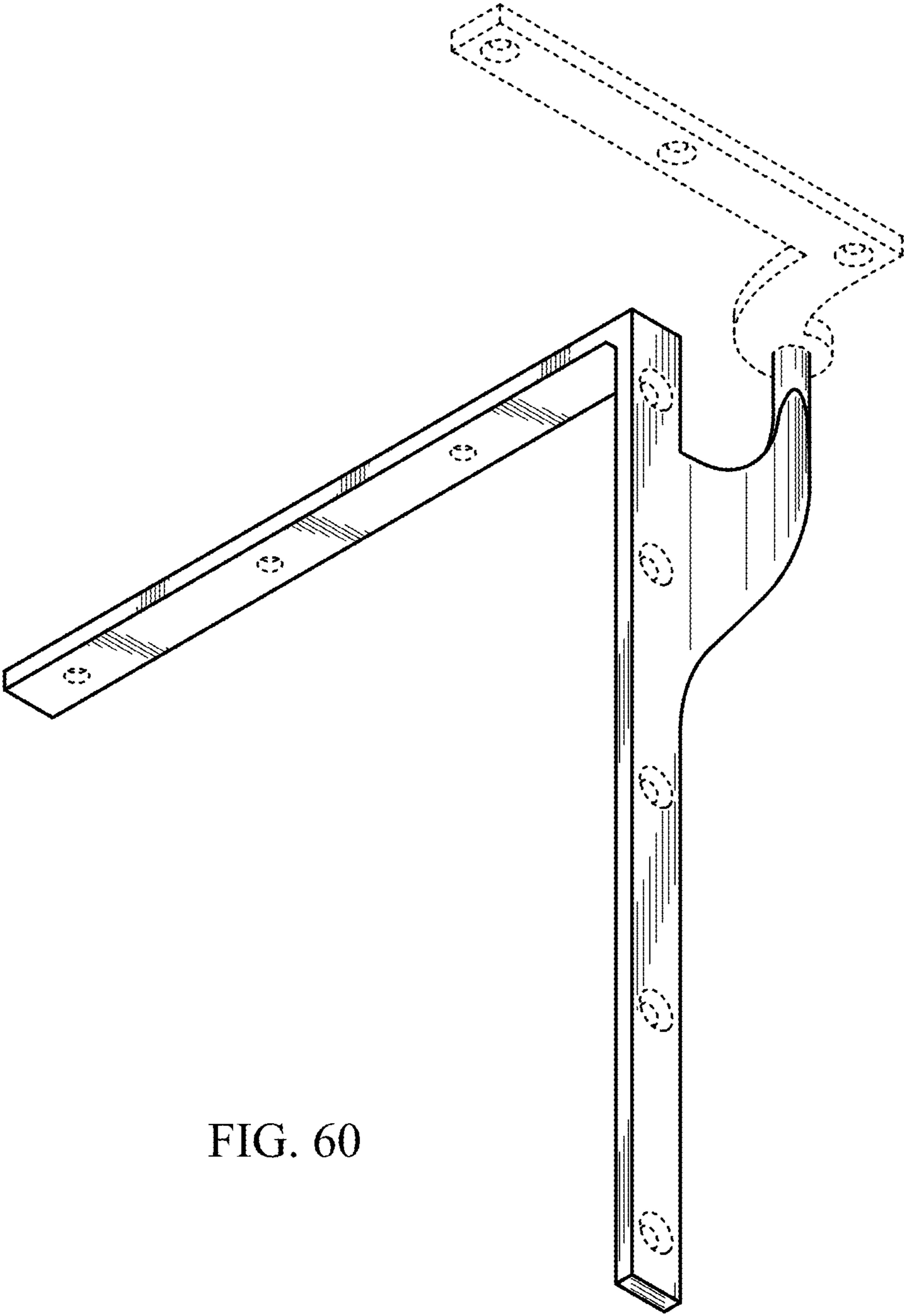


FIG. 60

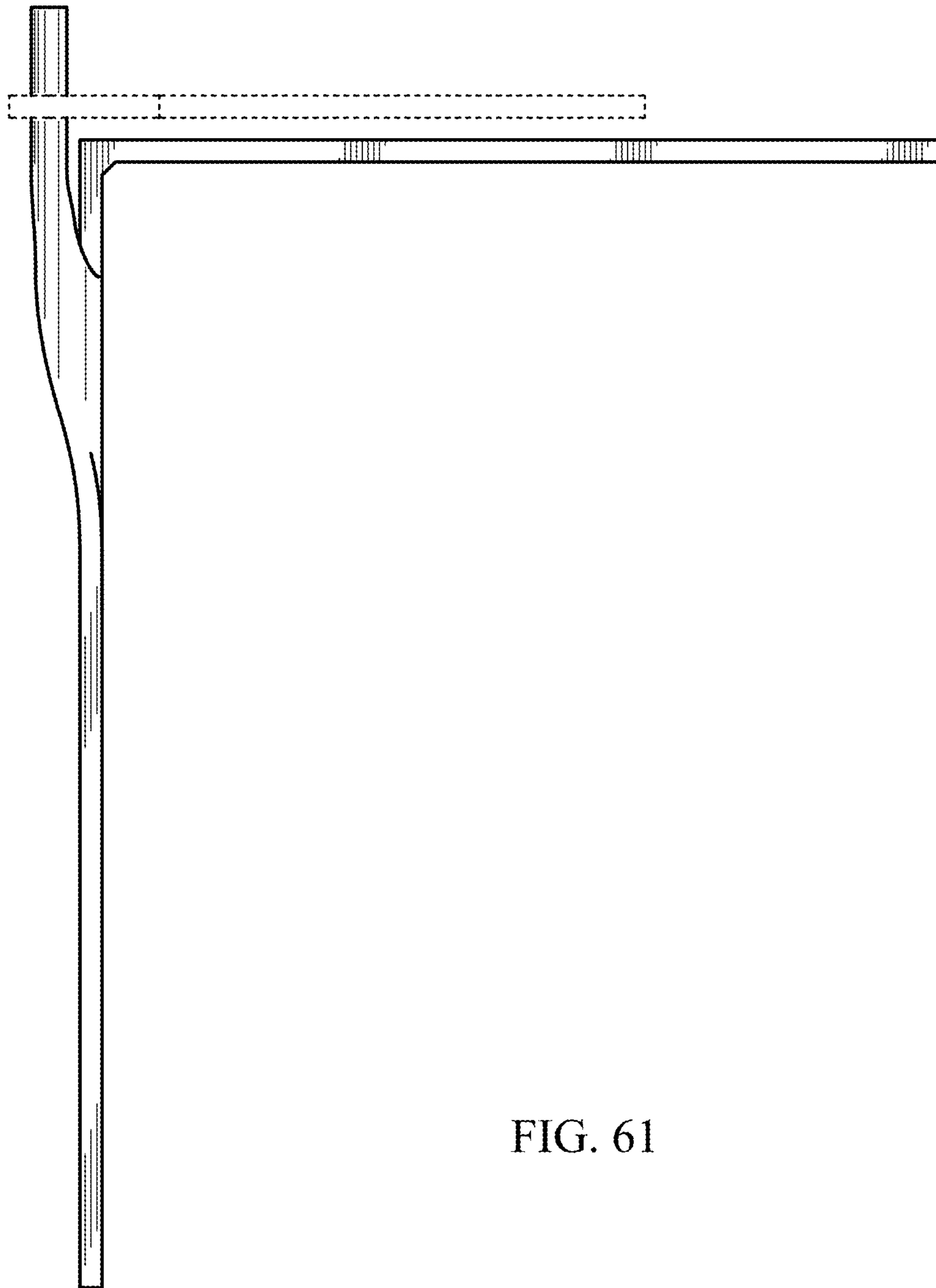


FIG. 61

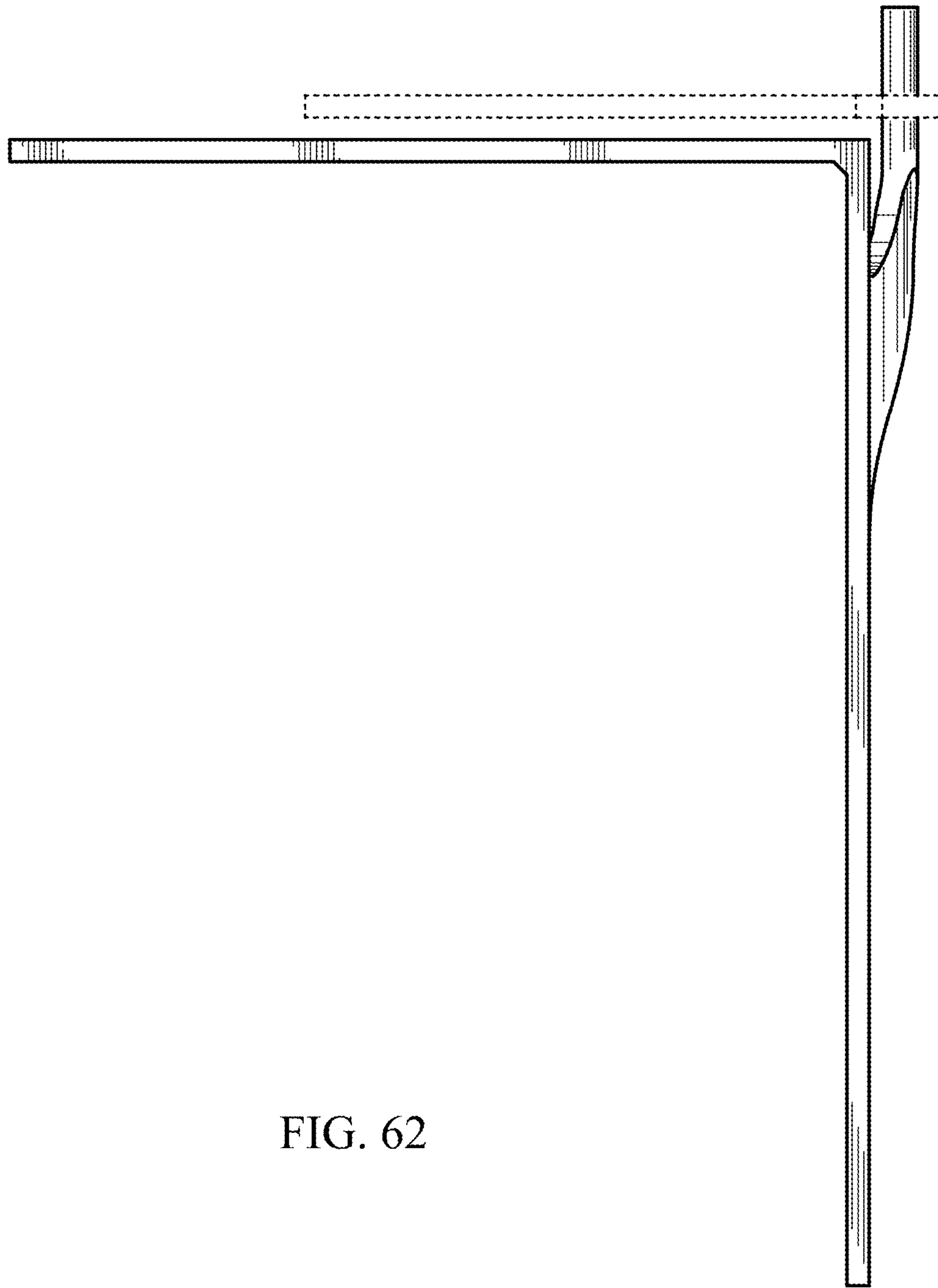


FIG. 62



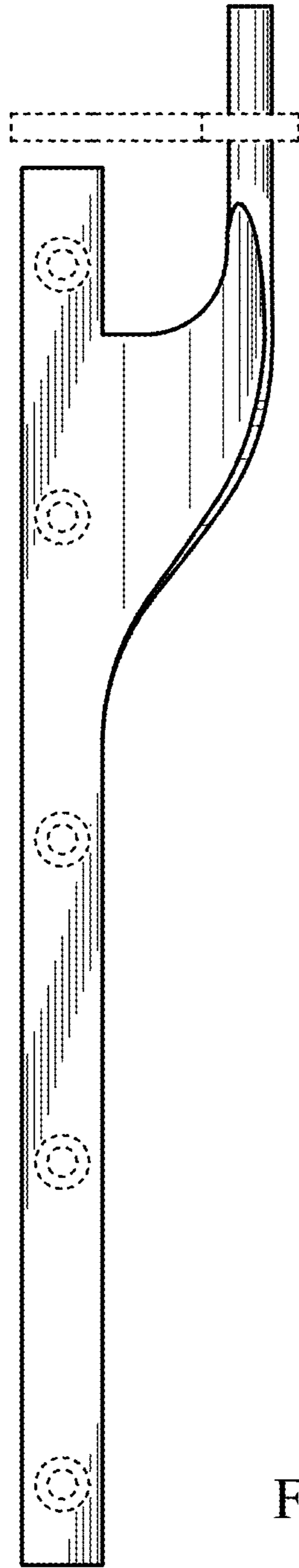


FIG. 63

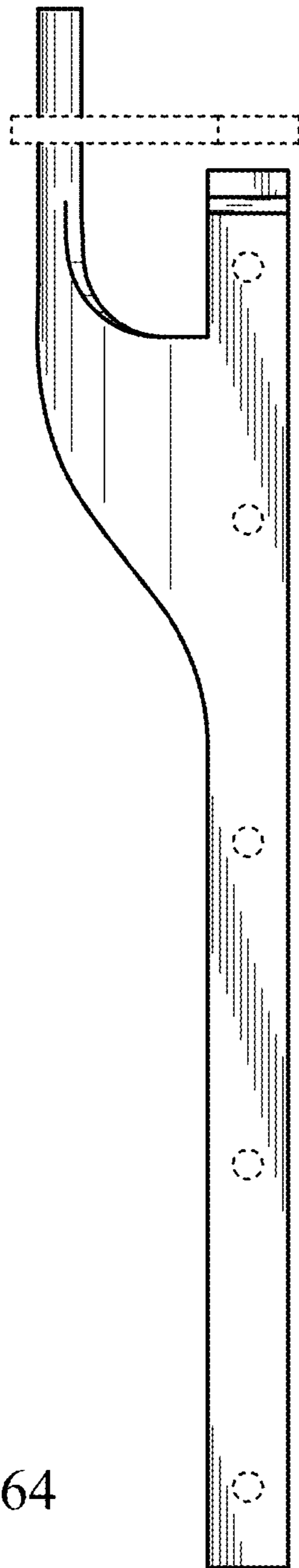


FIG. 64

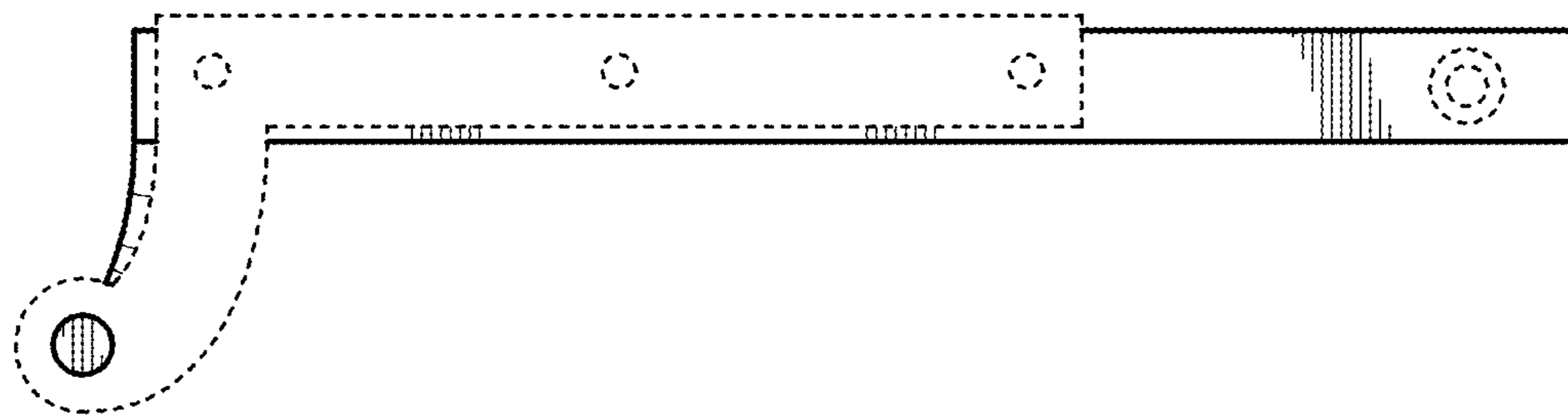


FIG. 65

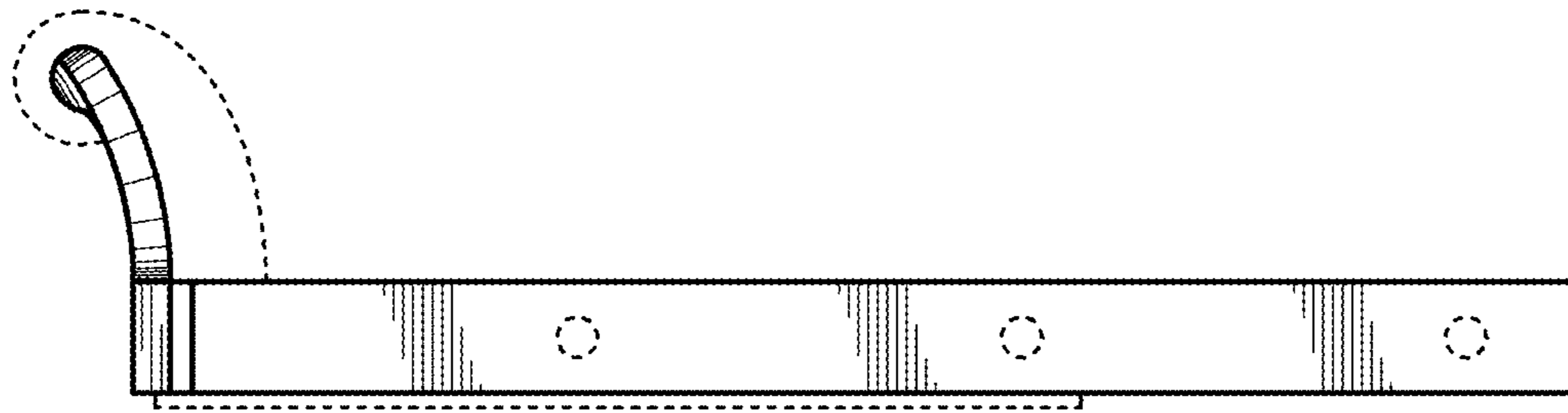


FIG. 66

FIG. 67

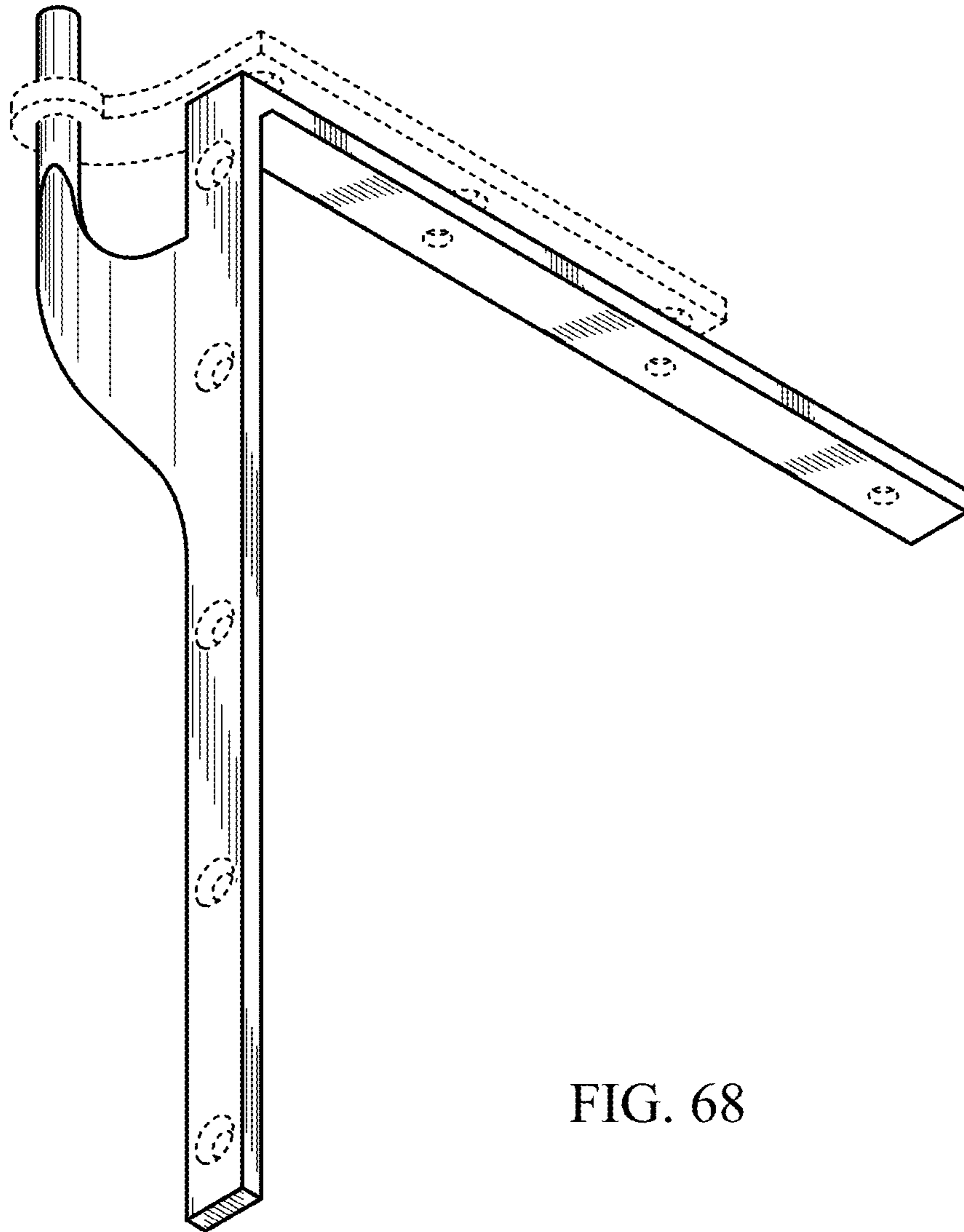


FIG. 68

FIG. 69

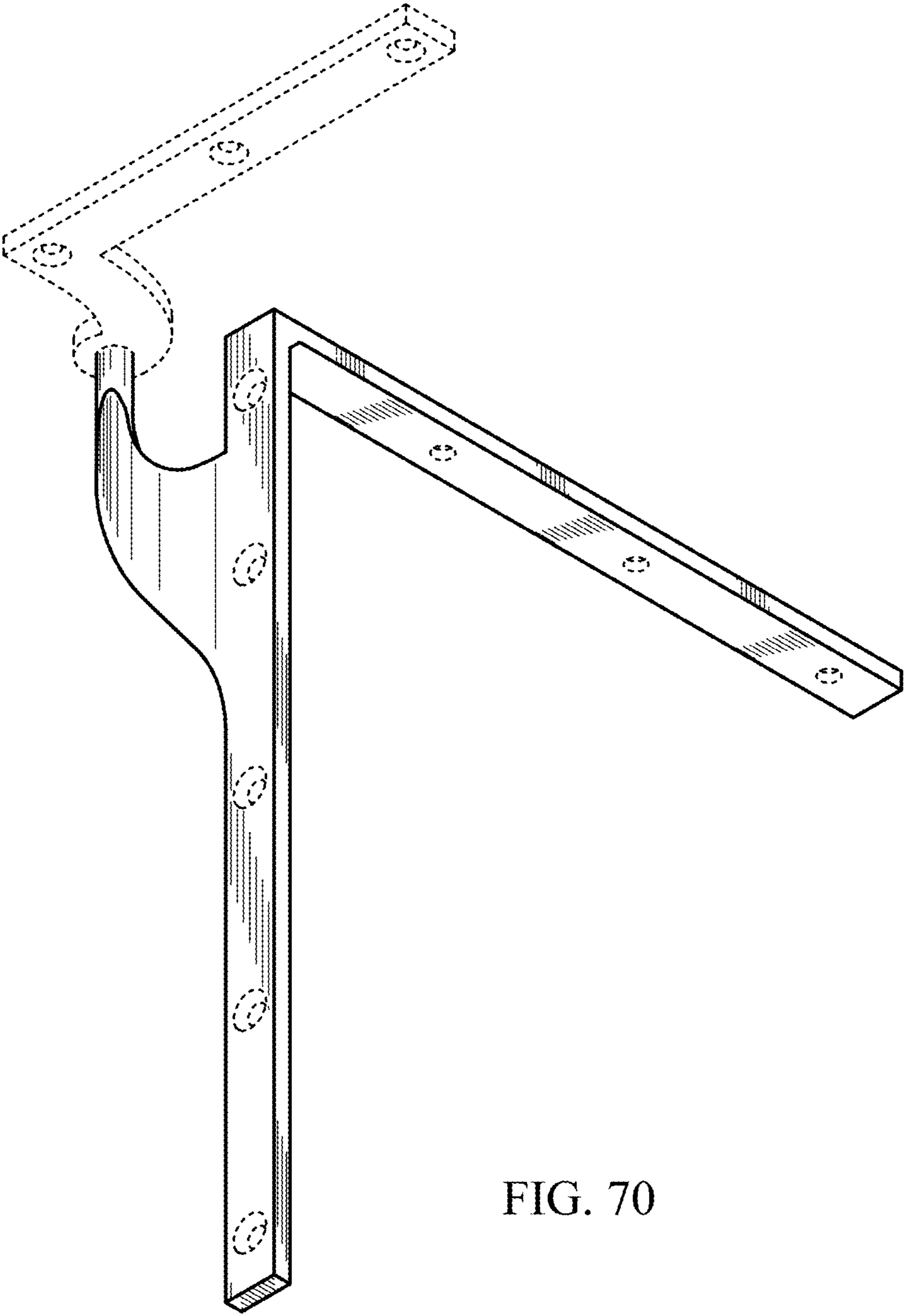


FIG. 70



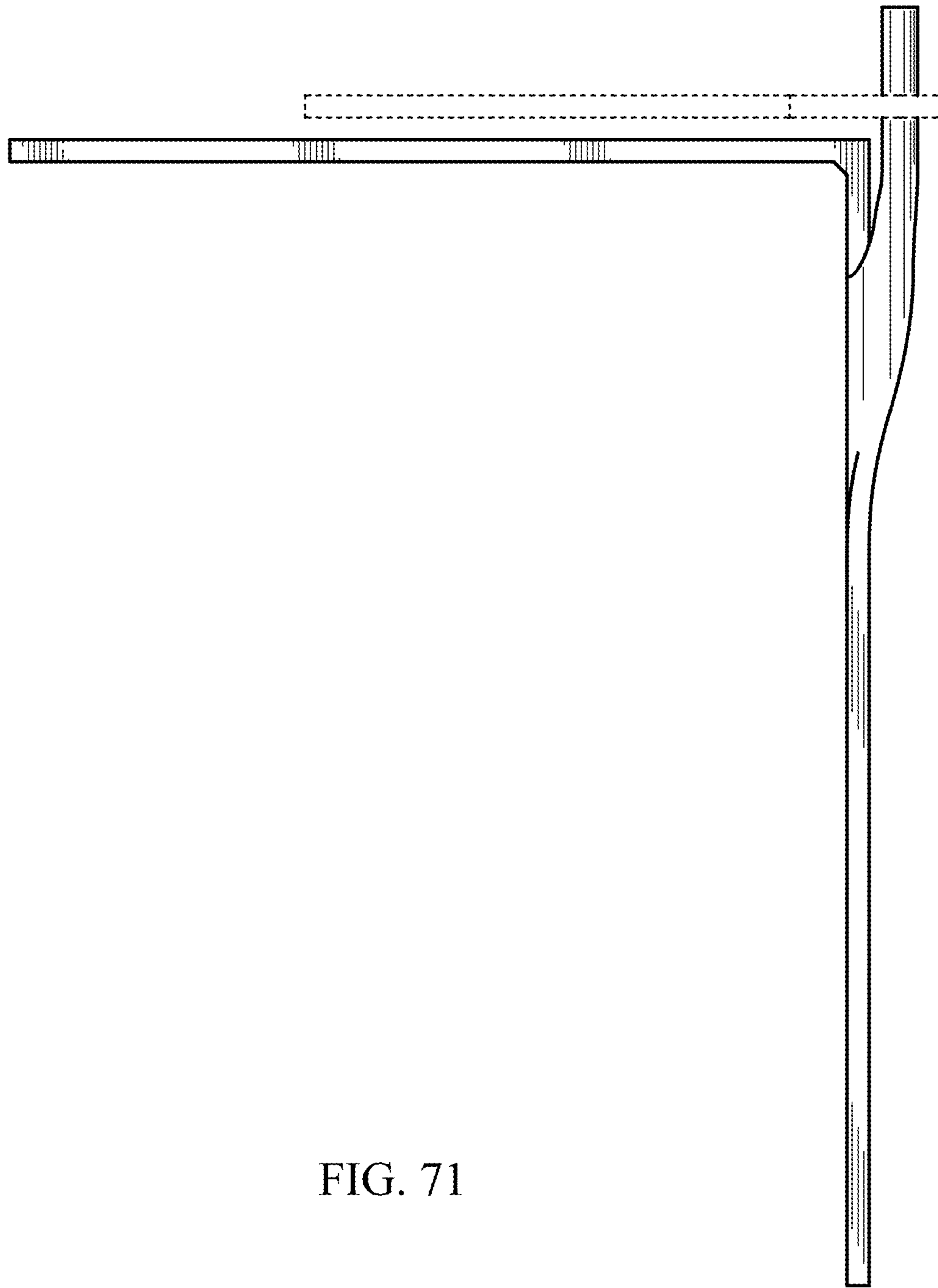


FIG. 71

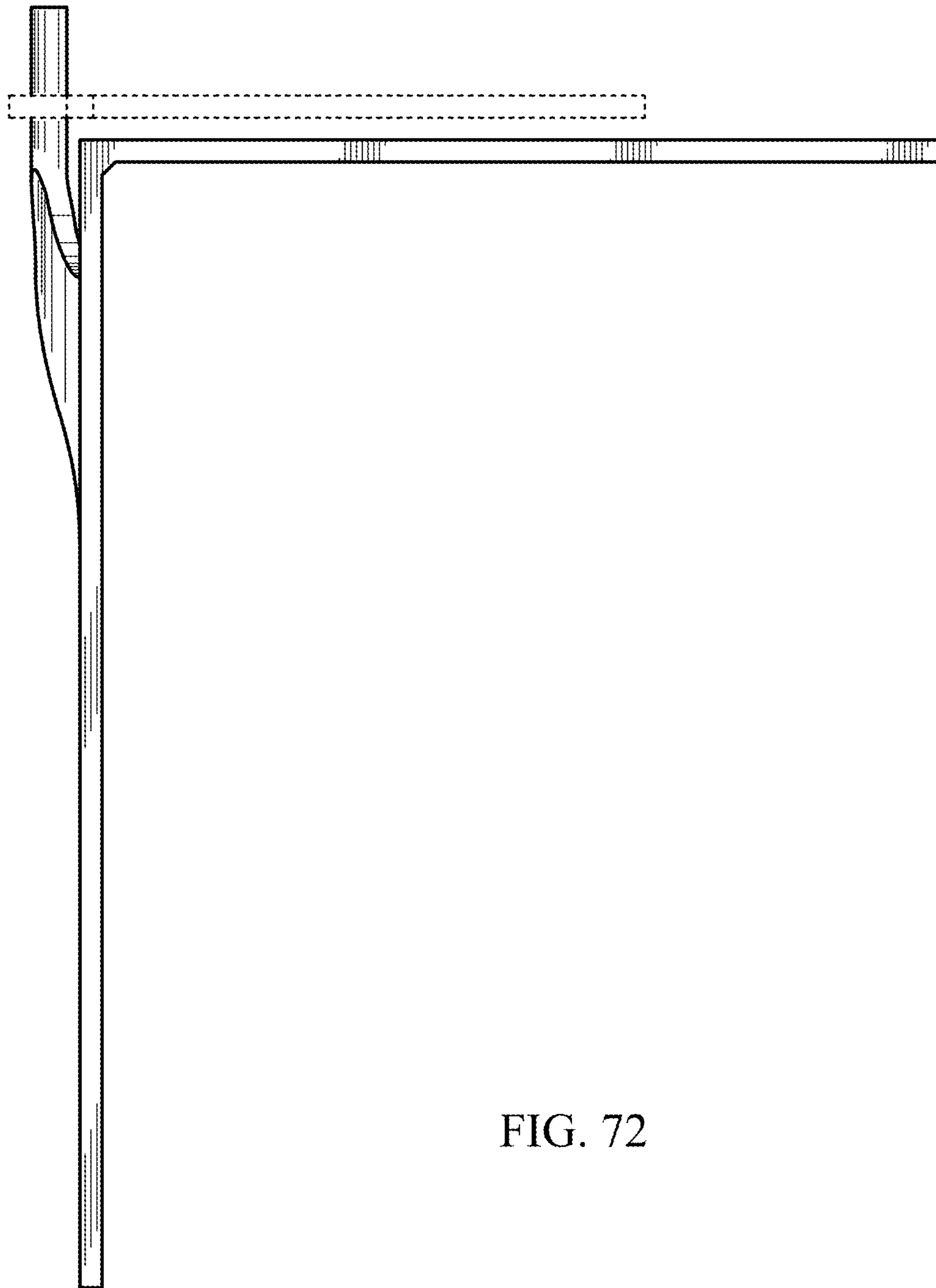


FIG. 72

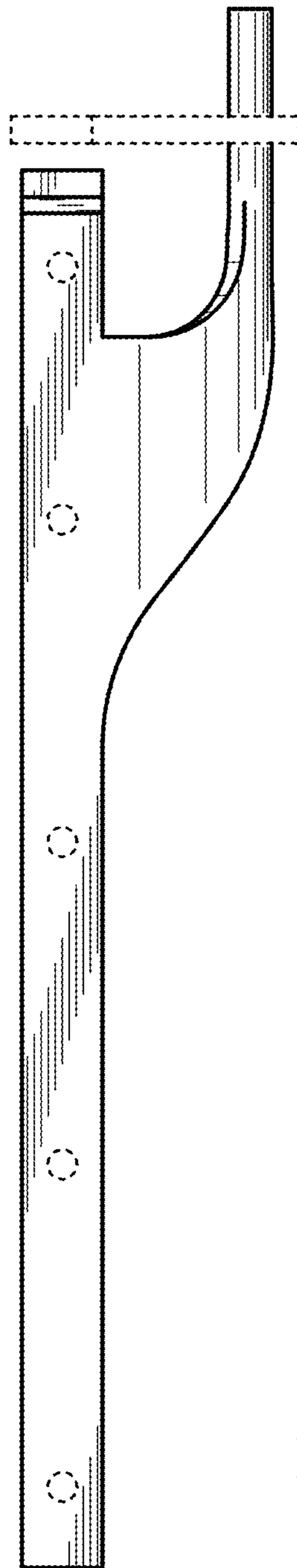


FIG. 73

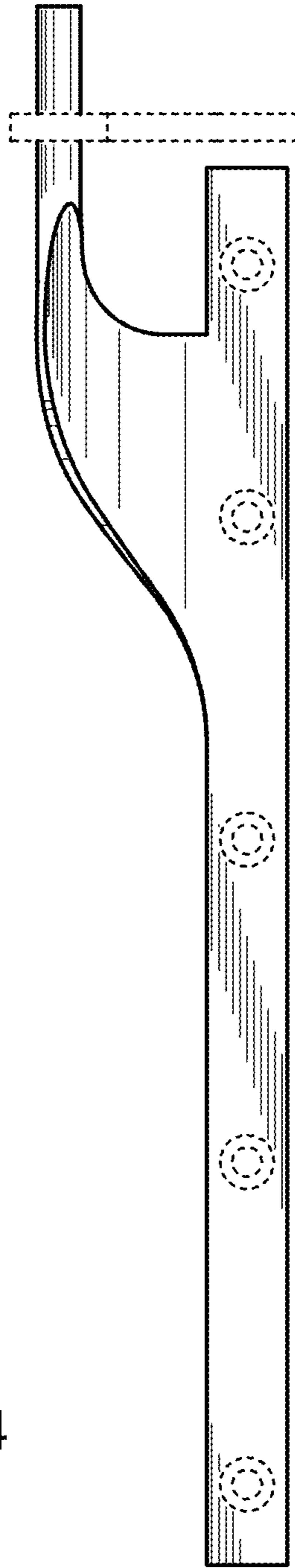


FIG. 74

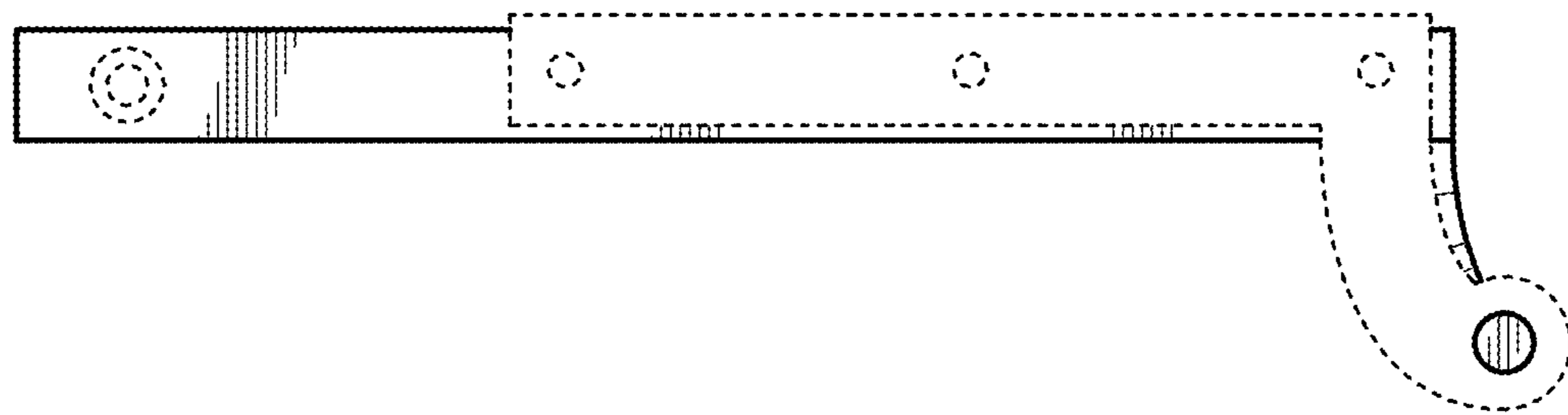


FIG. 75

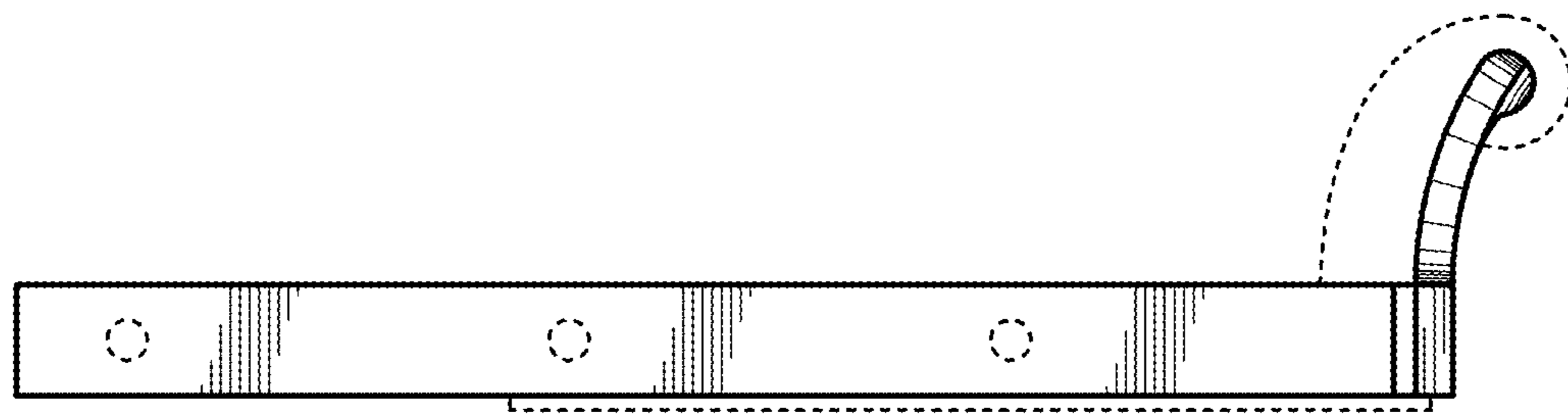


FIG. 76